



US00D347570S

United States Patent [19]

[11] Patent Number: **Des. 347,570**

Burge

[45] Date of Patent: **** Jun. 7, 1994**

[54] RESILIENT DOORSTOP

[76] Inventor: **Carolyn J. Burge**, 2901 S. Park Blvd., Shaker Heights, Ohio 44120-1842

[**] Term: **14 Years**

[21] Appl. No.: **1,128**

[22] Filed: **Nov. 5, 1992**

[52] U.S. Cl. **D8/402**

[58] Field of Search **D8/402; 16/86 R, 86 A, 16/82; 292/288, 343**

[56] References Cited

U.S. PATENT DOCUMENTS

D. 130,594	12/1941	Traum	D8/402
D. 191,436	10/1961	Urich	D8/402
D. 197,049	12/1963	Panopoulos	D8/402
D. 281,053	10/1985	Curry	D8/402
D. 302,939	8/1989	Ruskin	D8/402
629,283	7/1899	Whitaker	16/82
816,757	4/1906	Squier	292/343
947,805	2/1910	Dumont	16/82
1,633,988	6/1927	Jones	16/82
1,664,174	3/1928	Hoopes, Jr.	16/86 R
2,120,692	6/1938	Butts	292/343
2,568,477	9/1951	Westlund	292/343
3,343,578	9/1967	Rubin	16/82
3,916,838	11/1975	Swart	119/29
4,017,939	4/1977	Schofield	16/82
4,208,841	6/1980	Starks	49/449
4,261,140	4/1981	McLean	49/383
5,004,279	4/1991	Radcliff	292/288

FOREIGN PATENT DOCUMENTS

2231084 11/1990 United Kingdom 292/DIG. 15

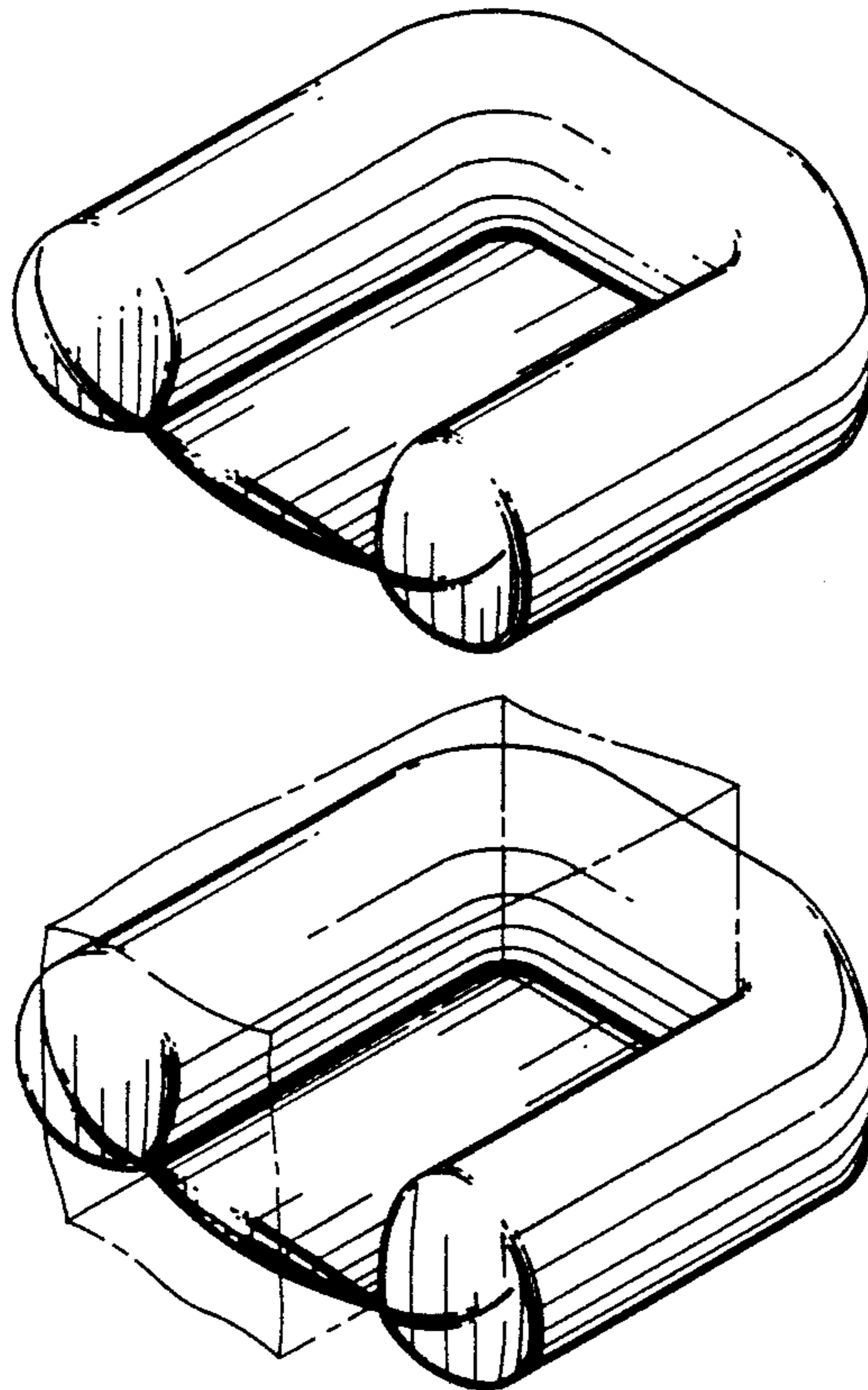
Primary Examiner—B. J. Bullock
Attorney, Agent, or Firm—David A. Burge

[57] CLAIM

The ornamental design for a resilient doorstop, as shown and described.

DESCRIPTION

FIG. 1 is a front, top and right side perspective view of a resilient doorstop embodying my new design; FIG. 2 is a front, top and left side perspective view thereof; FIG. 3 is a reduced front end elevational view thereof; FIG. 4 is a reduced rear end elevational view thereof; FIG. 5 is a reduced left side elevational view thereof, the right side being a mirror image; FIG. 6 is a reduced top plan view thereof; FIG. 7 is a reduced bottom plan view thereof; FIG. 8 is a perspective view identical to FIG. 1, the portion of a door being shown in broken lines for illustrative purposes only; FIG. 9 is a front end elevational view identical to FIG. 3, the portions of a door and floor being shown in broken lines for illustrative purposes only; and, FIG. 10 is a further reduced rear perspective view thereof, the portions of a door, frame, wall and floor being shown in broken lines for illustrative purposes only.



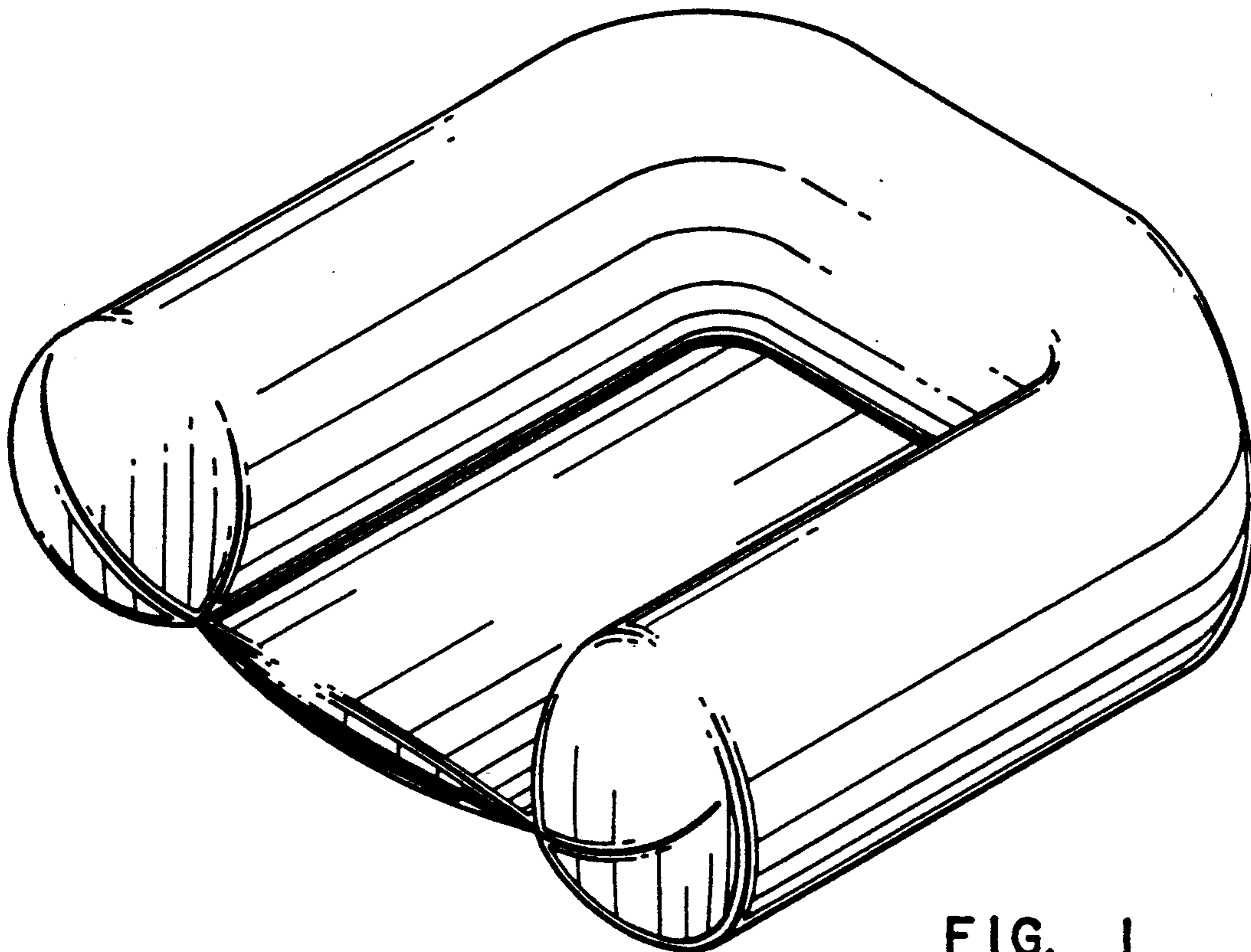


FIG. 1

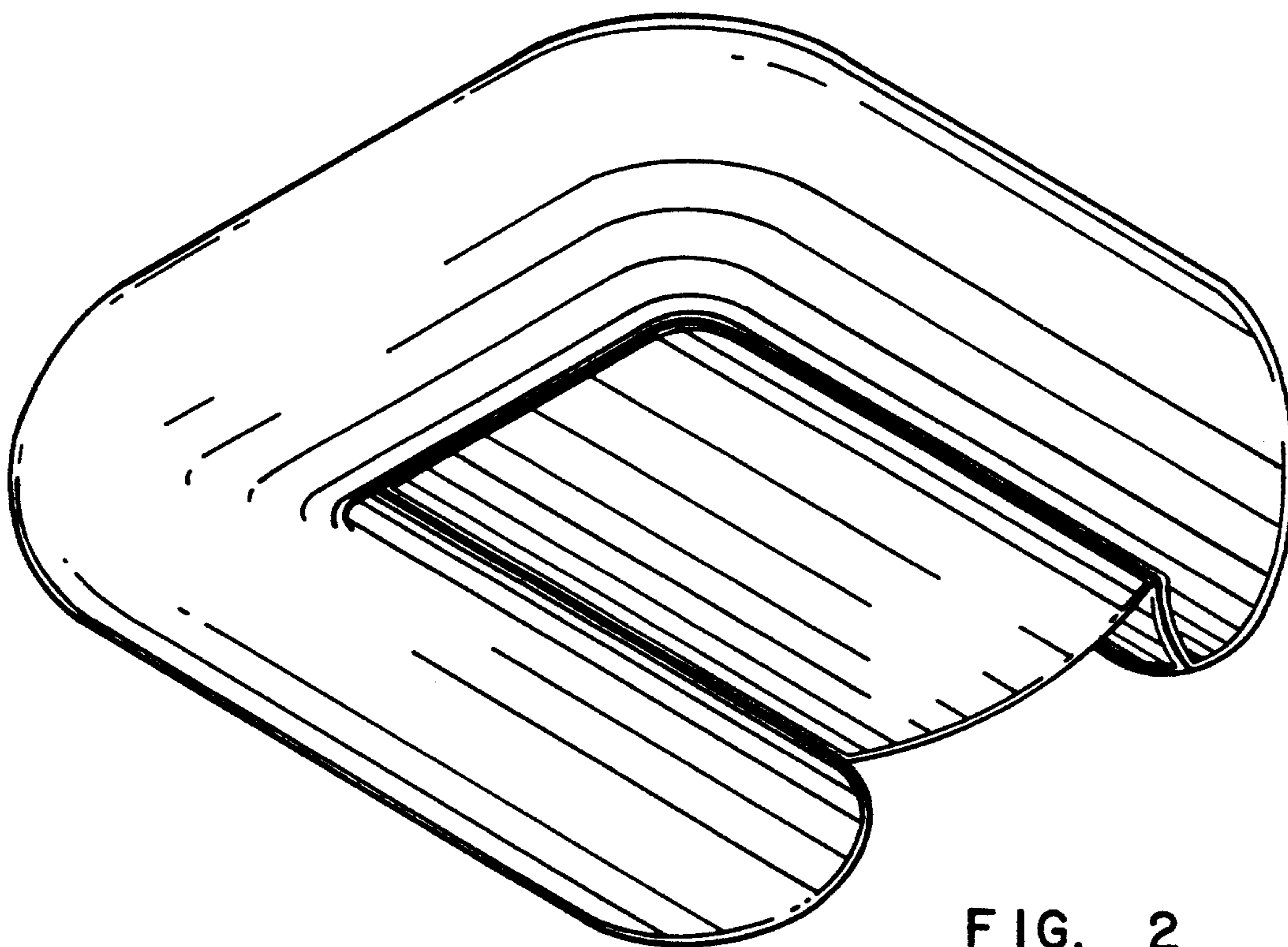


FIG. 2

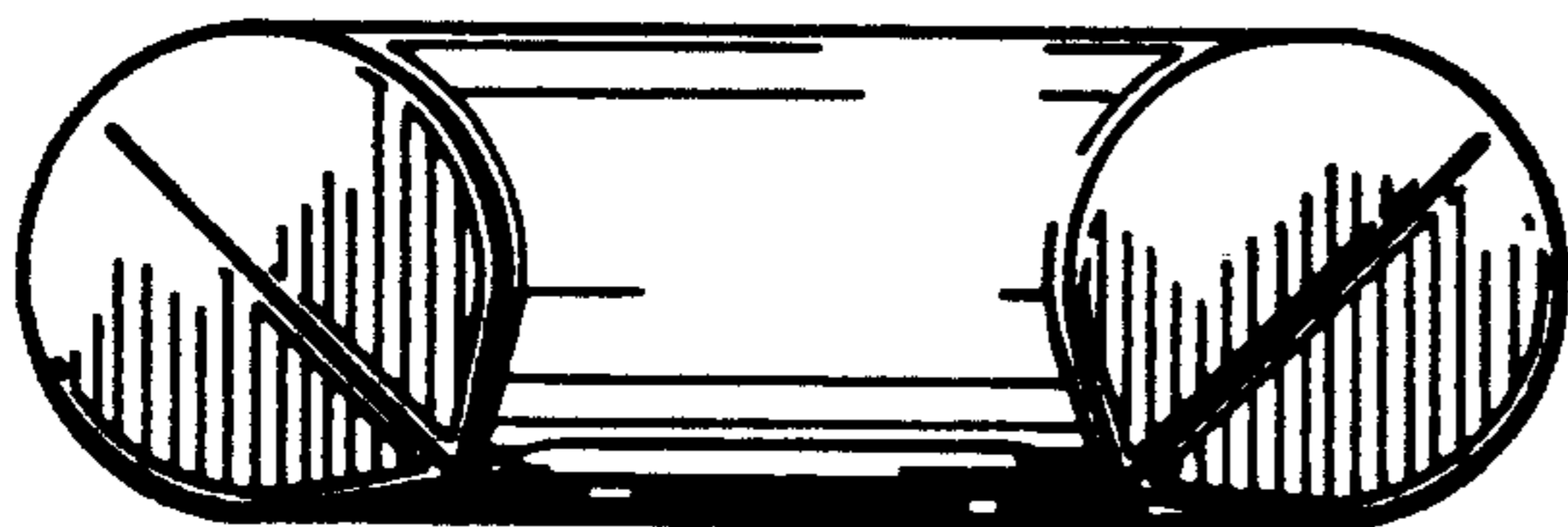


FIG. 3

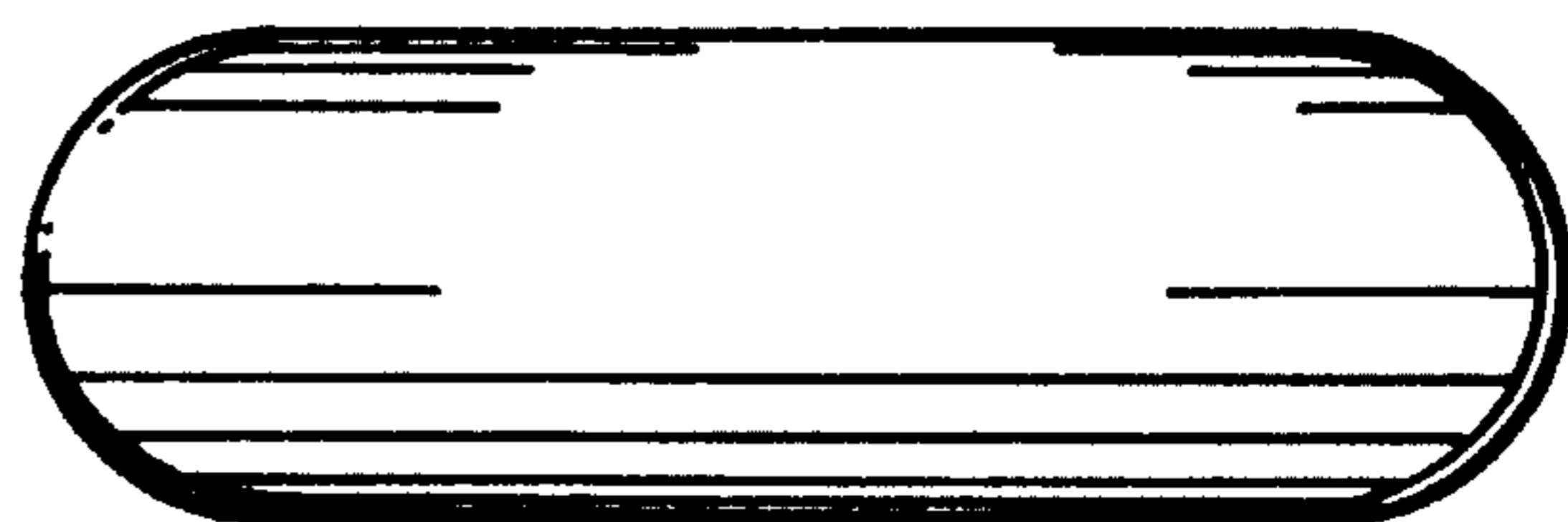


FIG. 4

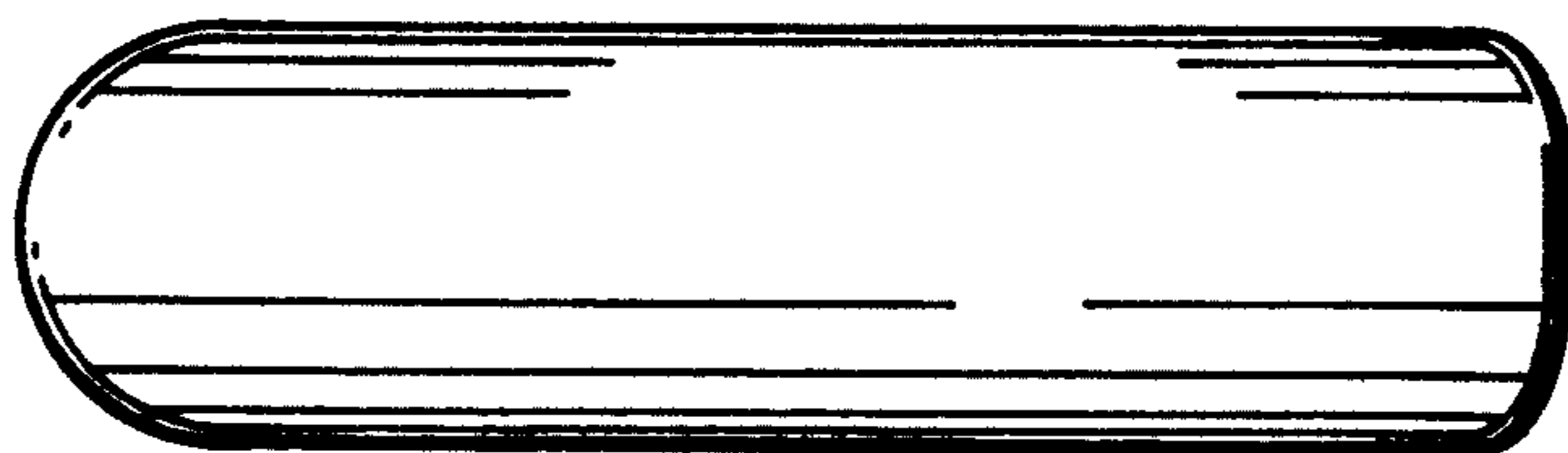


FIG. 5

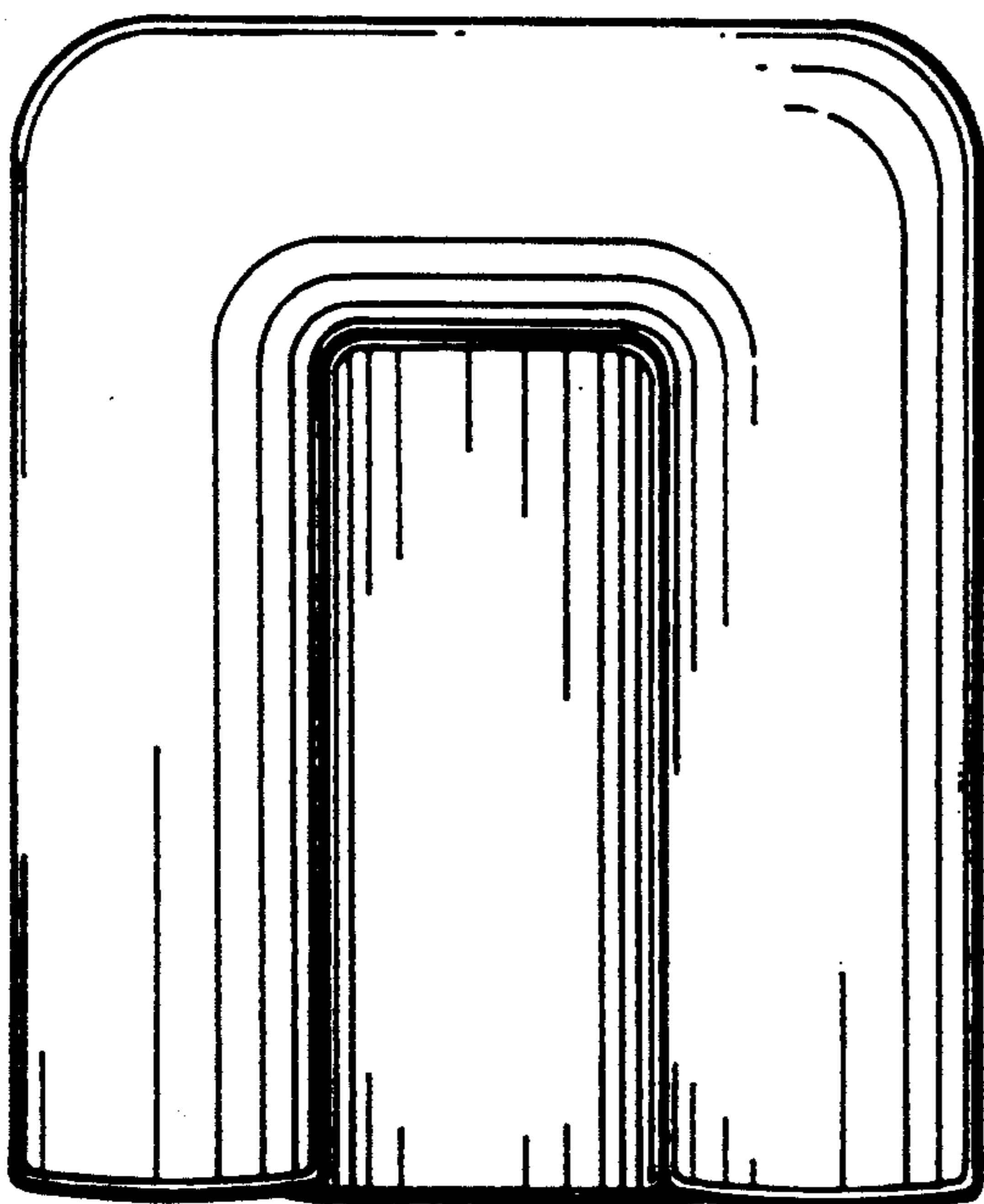


FIG. 6

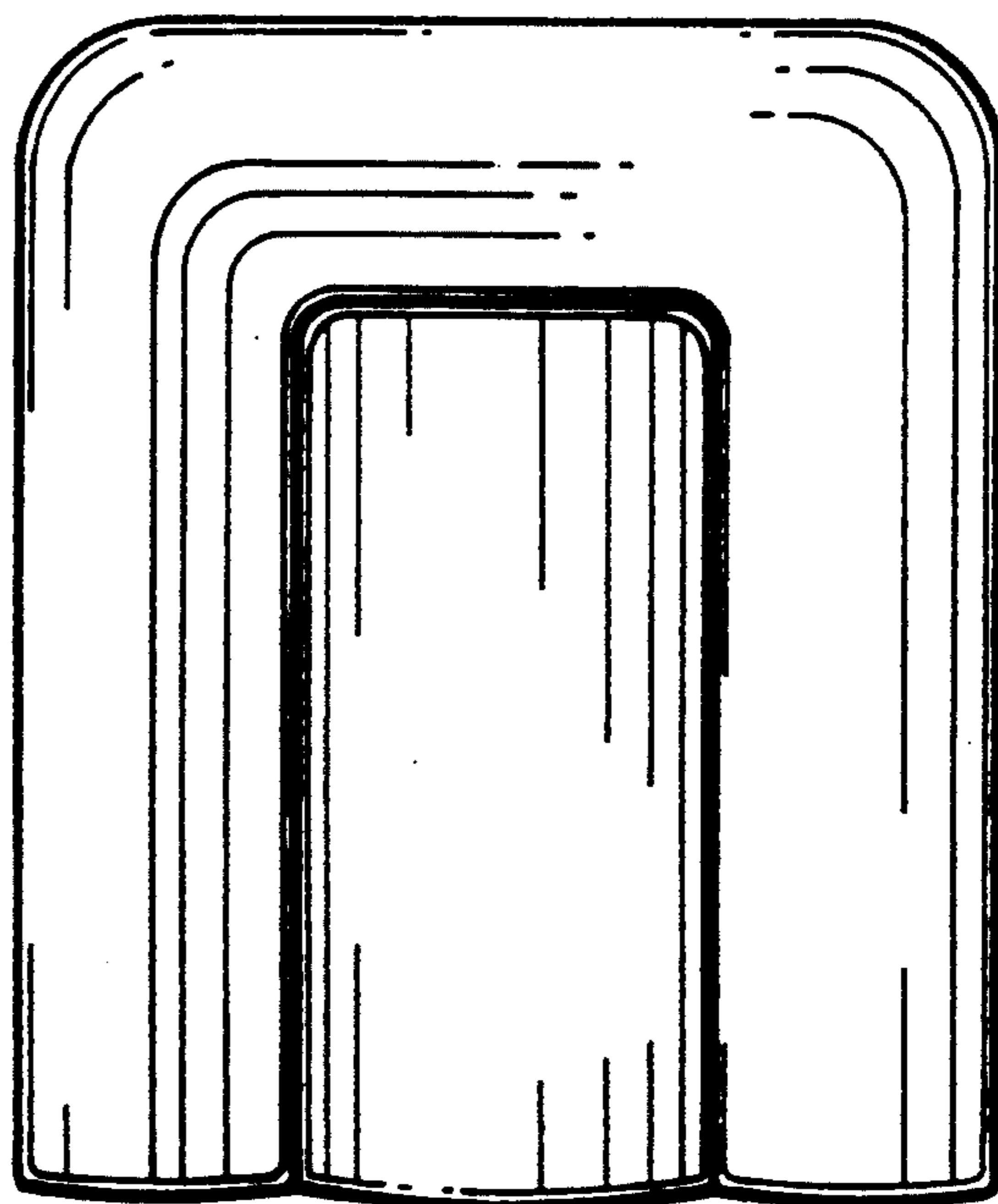


FIG. 7

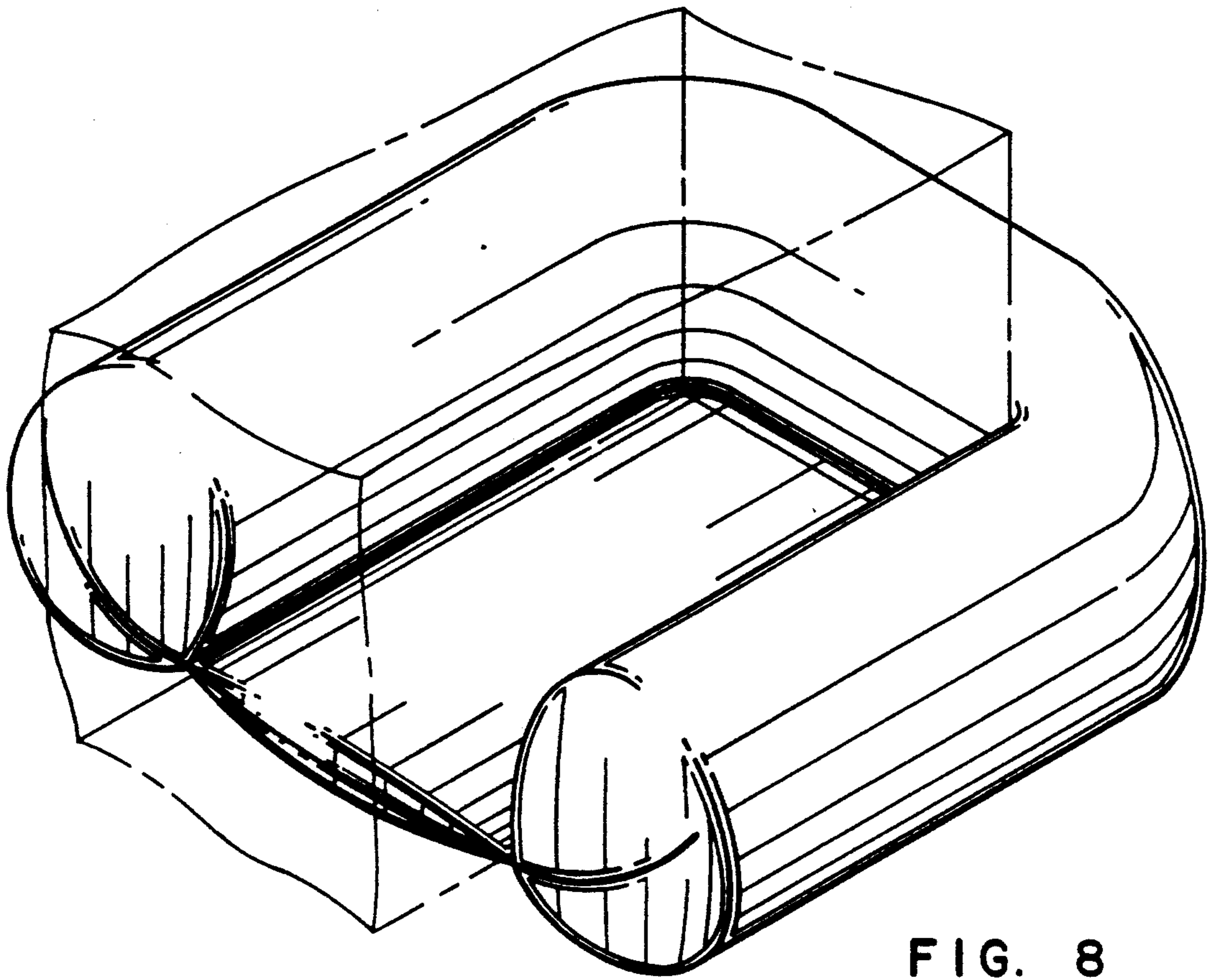


FIG. 8

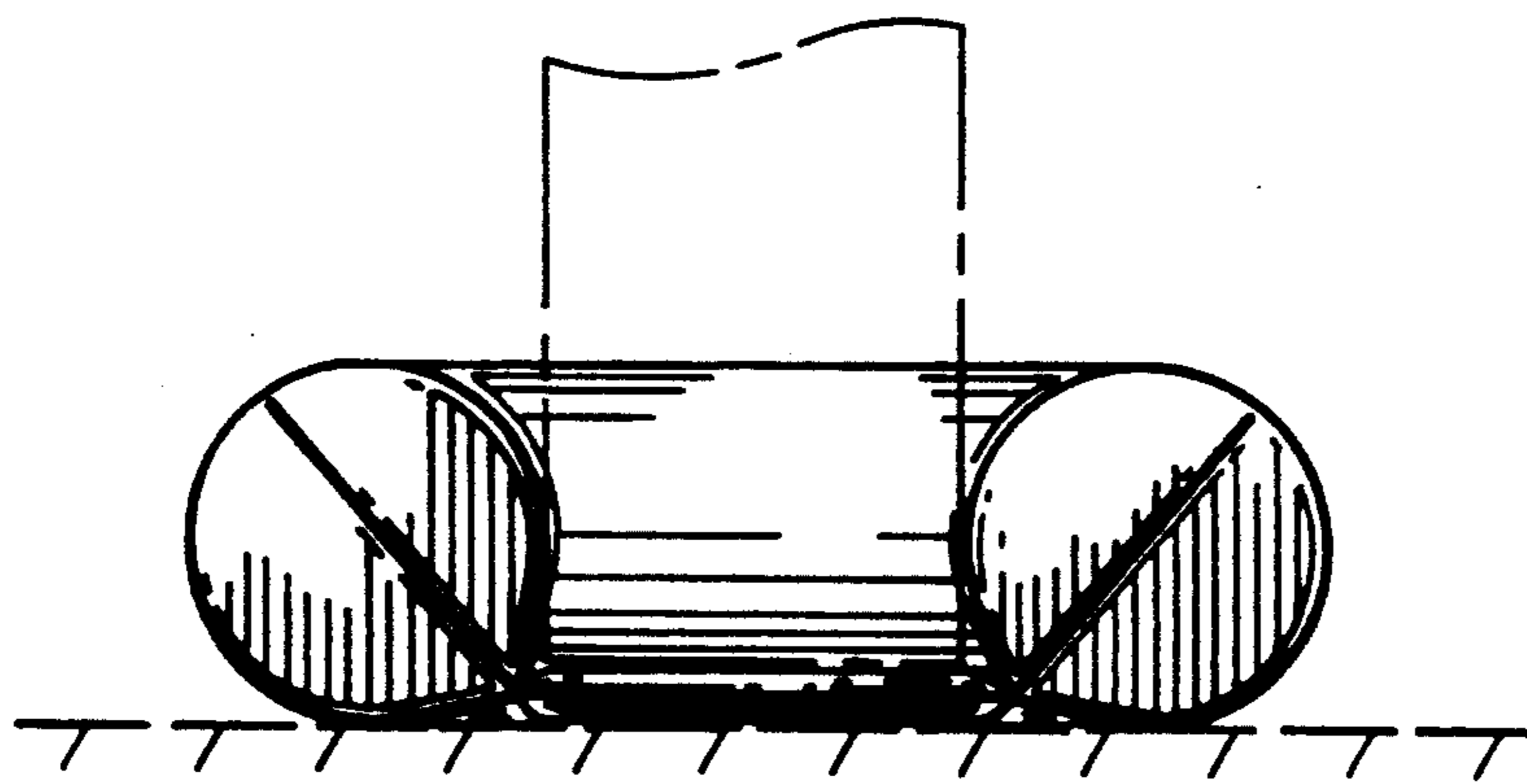


FIG. 9

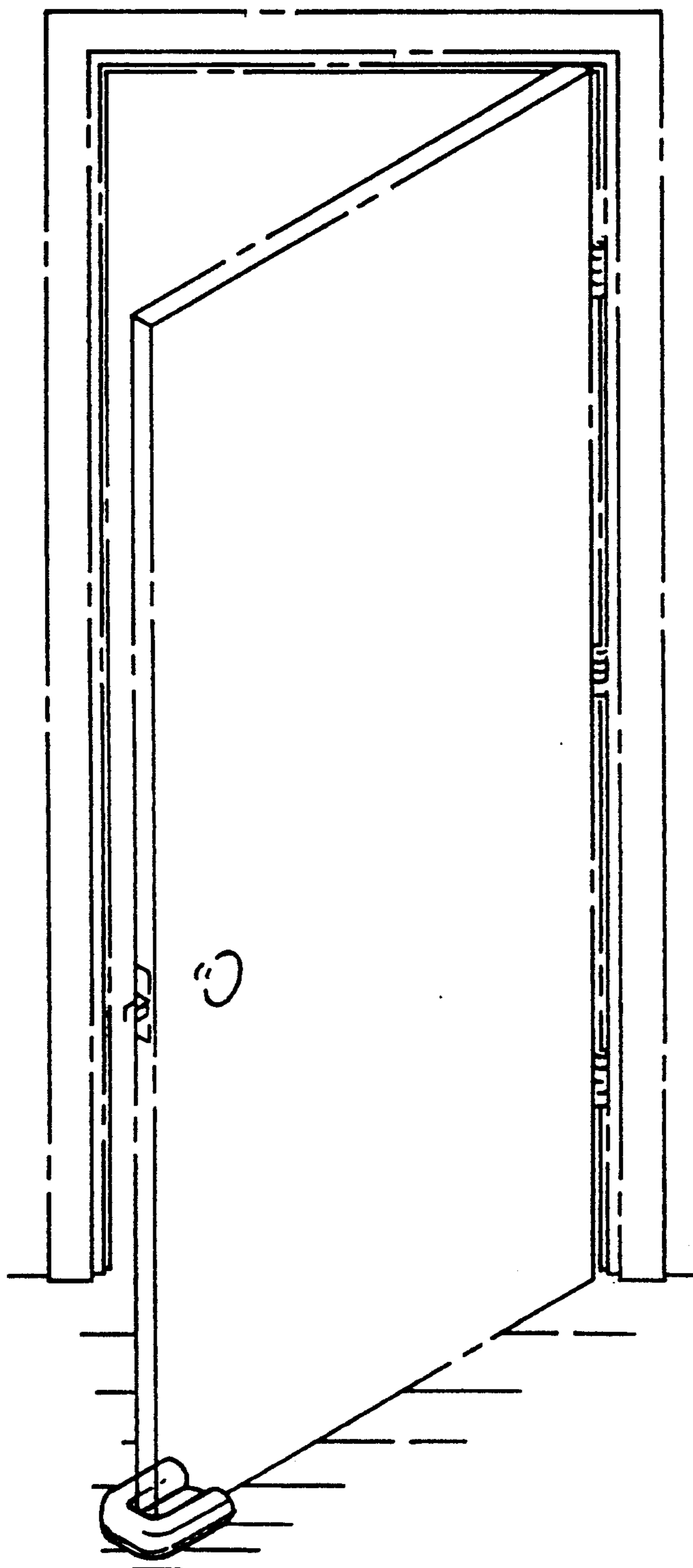


FIG. 10