



US00D347565S

United States Patent [19]

[11] Patent Number: **Des. 347,565**

Cziko

[45] Date of Patent: **** Jun. 7, 1994**

[54] HOUSING FOR PANIC EXIT ACTUATOR

4,101,153 7/1978 Dozier .

[76] Inventor: **Bernard J. Cziko, R.D. #1 Box 83, Englishtown, N.J. 07726**

4,624,490 11/1986 Miller 292/92
5,016,927 5/1991 Toledo 292/92

[**] Term: **14 Years**

Primary Examiner—B. J. Bullock
Attorney, Agent, or Firm—Terry M. Gernstein

[21] Appl. No.: **4,194**

[57] **CLAIM**

[22] Filed: **Jan. 29, 1993**

The ornamental design for a housing for panic exit actuator, as shown and described.

[52] U.S. Cl. **D8/302; D8/316**

[58] Field of Search **D8/301, 302, 315-320; 292/92, 93, 336.3; 70/92**

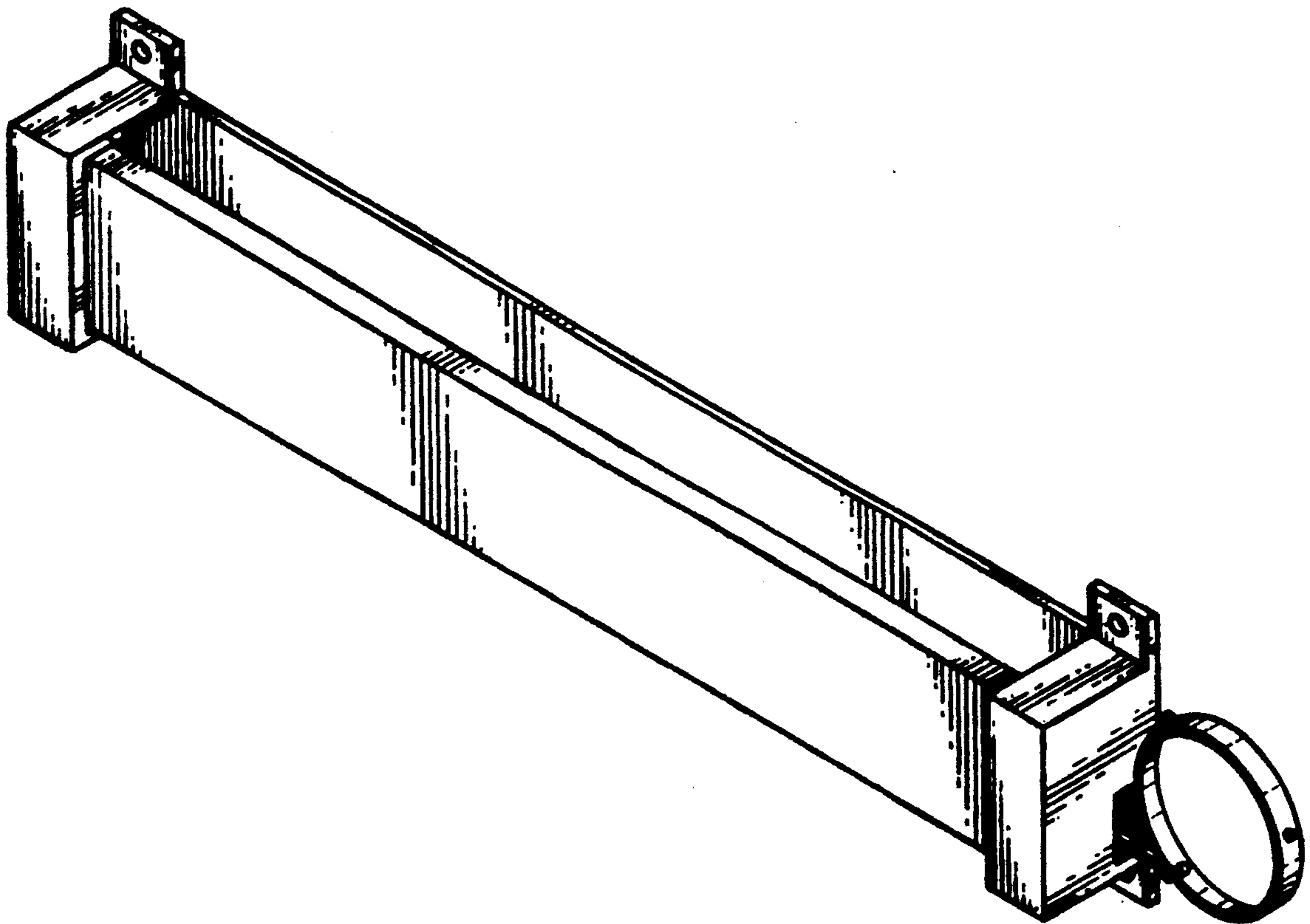
DESCRIPTION

[56] **References Cited**

FIG. 1 is a front, top and side perspective view of the housing for panic exit actuator showing my new design; FIG. 2 is a front elevational view thereof; FIG. 3 is a rear elevational view thereof; FIG. 4 is a left end elevational view thereof; FIG. 5 is a right end elevational view thereof; FIG. 6 is a top plan view thereof; and, FIG. 7 is a bottom plan view thereof.

U.S. PATENT DOCUMENTS

D. 318,410	7/1991	Mohn	D8/302
1,056,937	3/1913	Pratt	292/92
3,087,323	4/1963	Foster	.	
3,636,740	1/1972	Rollins	.	
3,663,047	5/1972	Zawadzki	292/92



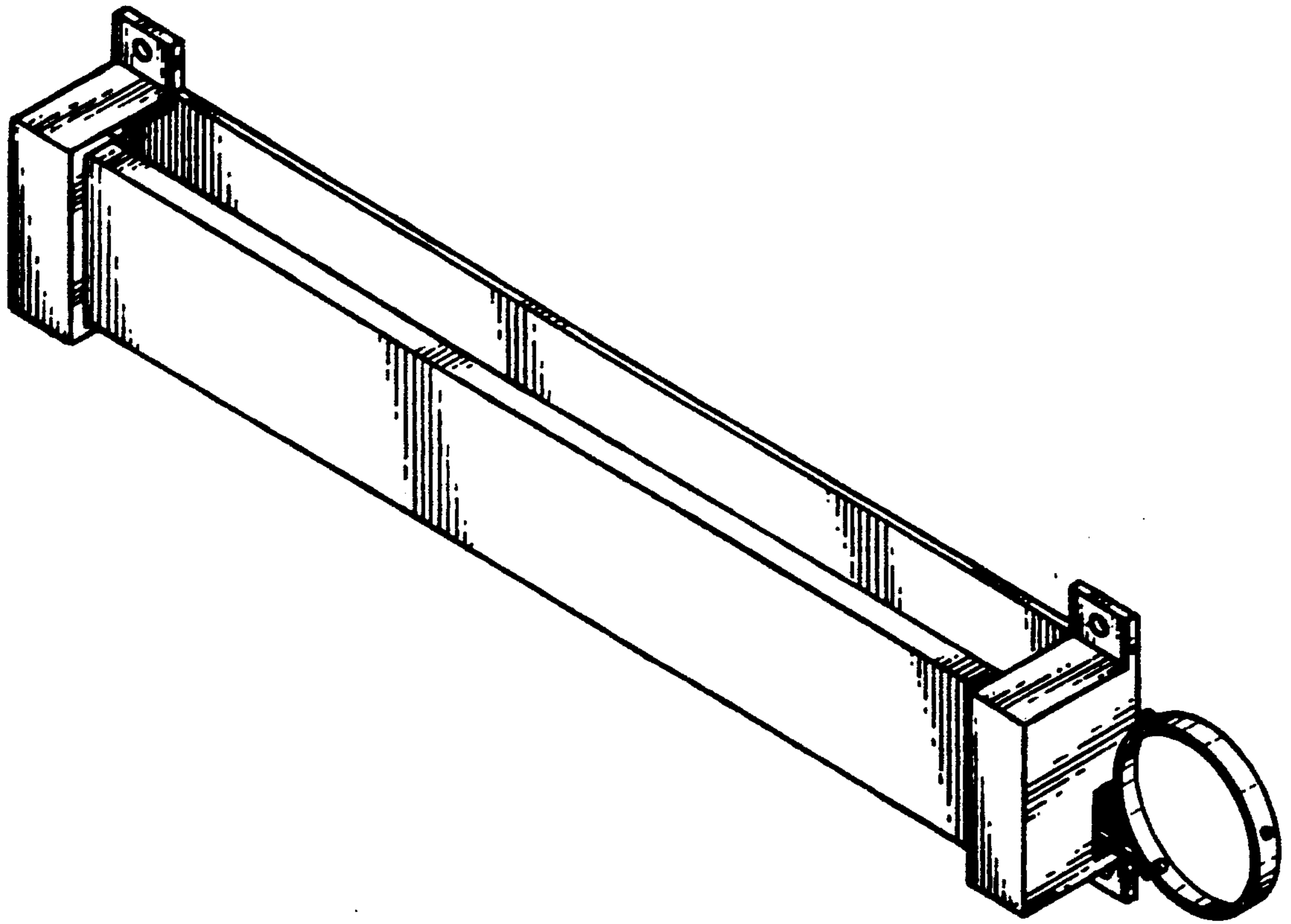


FIG. 1

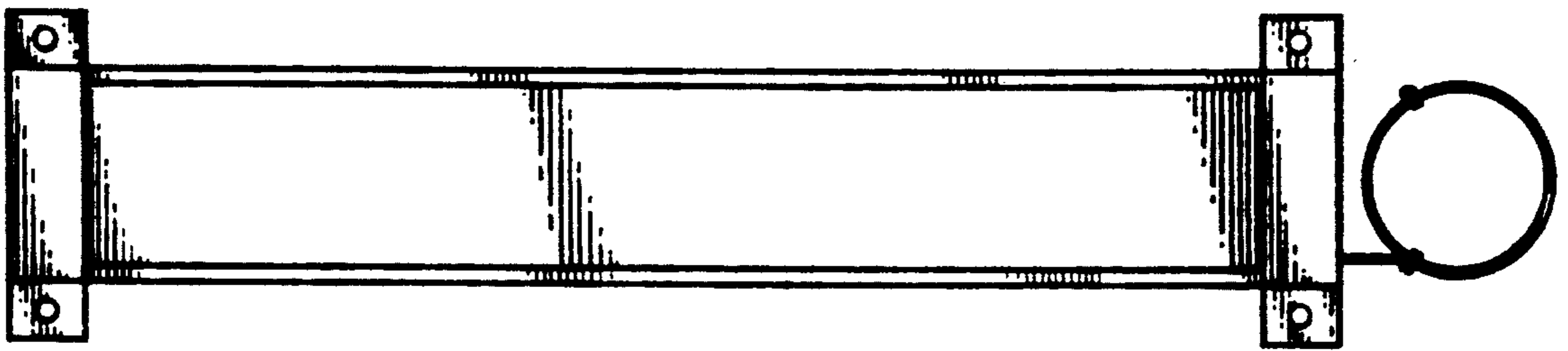


FIG. 2

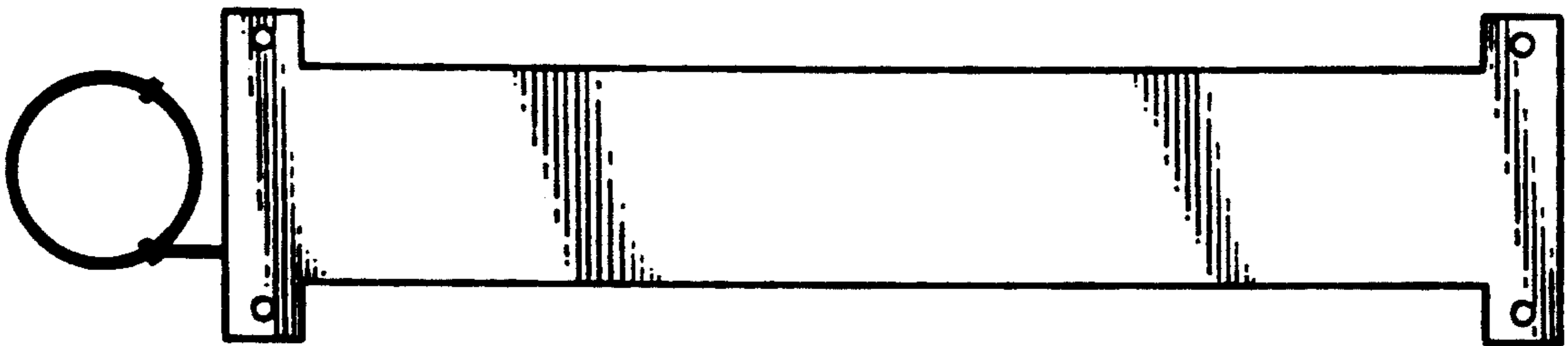


FIG. 3

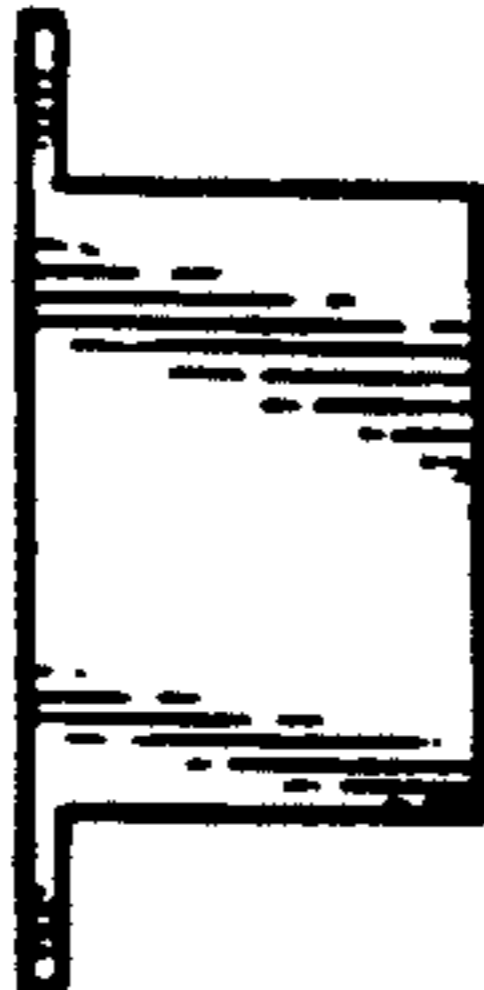


FIG. 4



FIG. 5

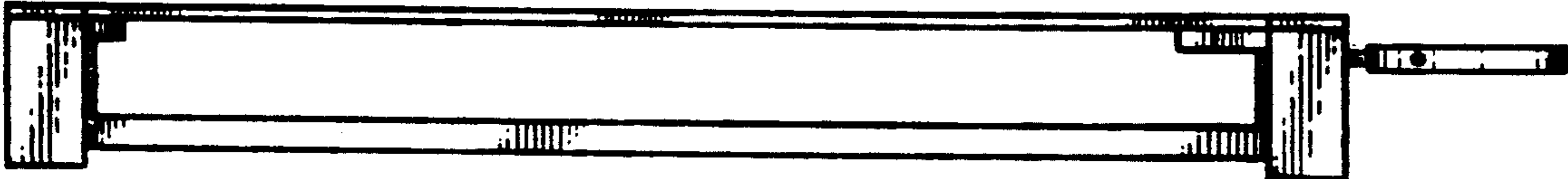


FIG. 6

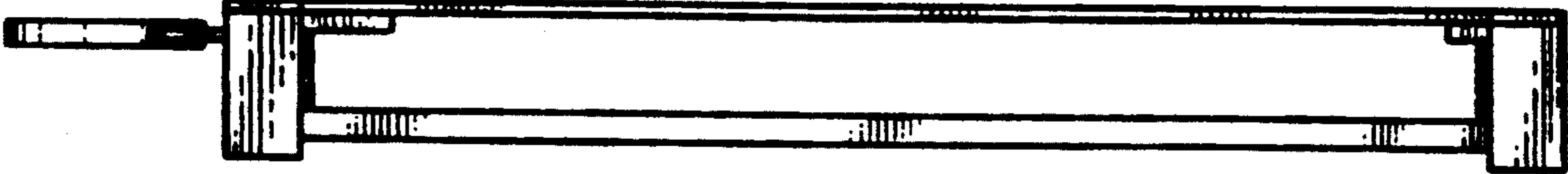


FIG. 7