



US00D347558S

# United States Patent [19]

Alonzo

[11] Patent Number: **Des. 347,558**

[45] Date of Patent: **\*\* Jun. 7, 1994**

[54] **SKI BOOT CLAMP RELEASE TOOL**

5,060,403 10/1991 Battistella ..... 36/119  
5,116,073 5/1992 Goud ..... 280/617

[76] Inventor: **Adolph A. Alonzo**, 21649 Laurel Ct., Walnut, Calif. 91789

*Primary Examiner*—Theodore M. Shooman  
*Assistant Examiner*—Paula Mortimer  
*Attorney, Agent, or Firm*—Terry M. Gernstein

[\*\*] Term: **14 Years**

[21] Appl. No.: **896,471**

[57] **CLAIM**

[22] Filed: **Jun. 9, 1992**

The ornamental design for a ski boot clamp release tool, as shown and described.

[52] U.S. Cl. .... **D8/14; D2/641**

[58] Field of Search ..... **D2/641; D8/14, 44; 280/814, 816, 809; 7/170; 81/3.27, 3.55, 3.48; D21/229**

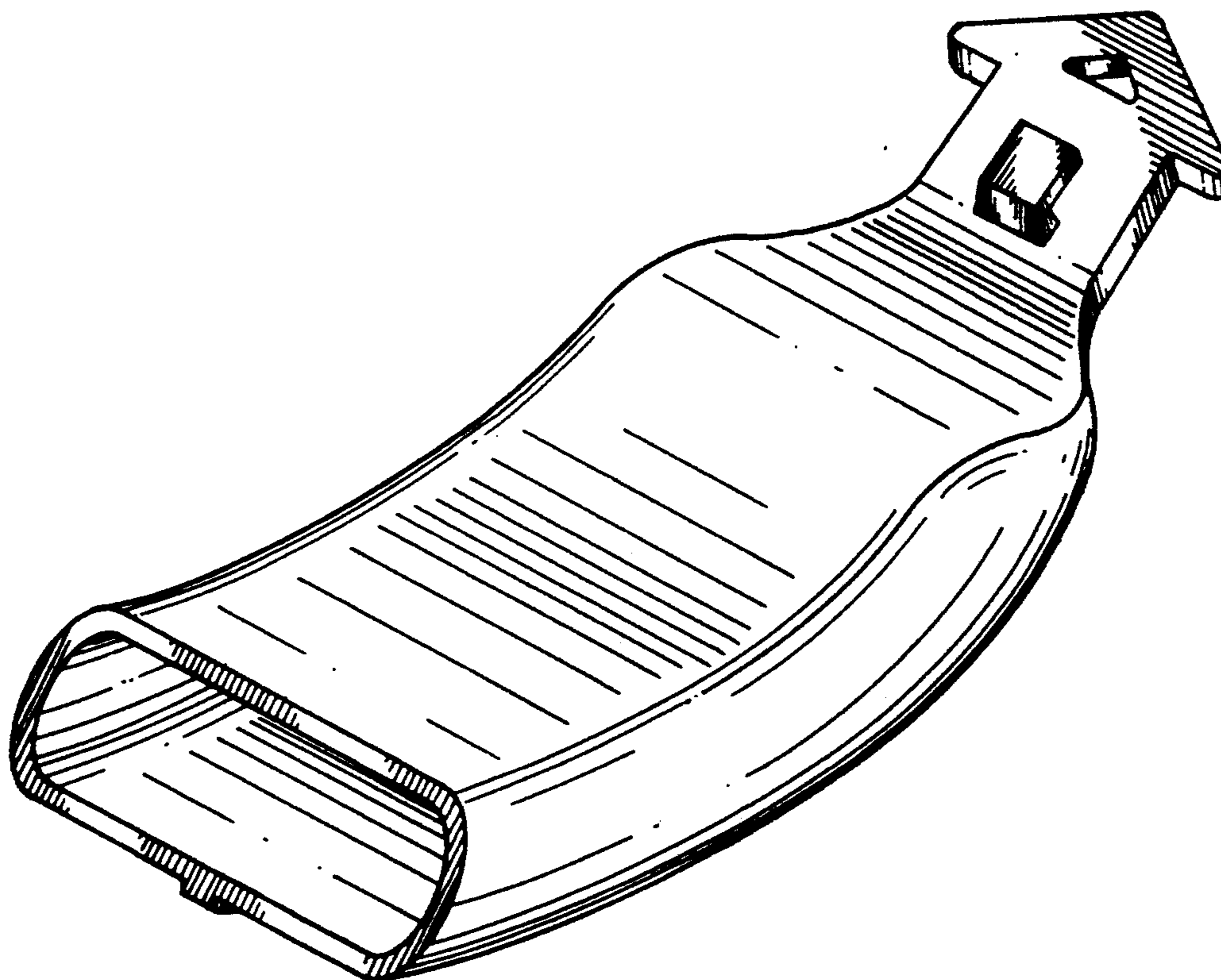
**DESCRIPTION**

[56] **References Cited**

**U.S. PATENT DOCUMENTS**

4,304,019 12/1981 Sava ..... D8/14 X  
4,830,403 5/1989 Ohmori ..... 280/815  
4,958,448 9/1990 Wenzel ..... 36/119  
5,012,598 5/1991 Baggio ..... 36/119

FIG. 1 is a top, end and side perspective view of the ski boot clamp release tool showing my new design; FIG. 2 is a bottom plan view thereof; FIG. 3 is a top plan view thereof; FIG. 4 is a side elevational view thereof, the side opposite being a mirror image of the side shown in FIG. 4; FIG. 5 is an end elevational view thereof; and, FIG. 6 is an end elevational view thereof showing the end opposite to the end shown in FIG. 5.



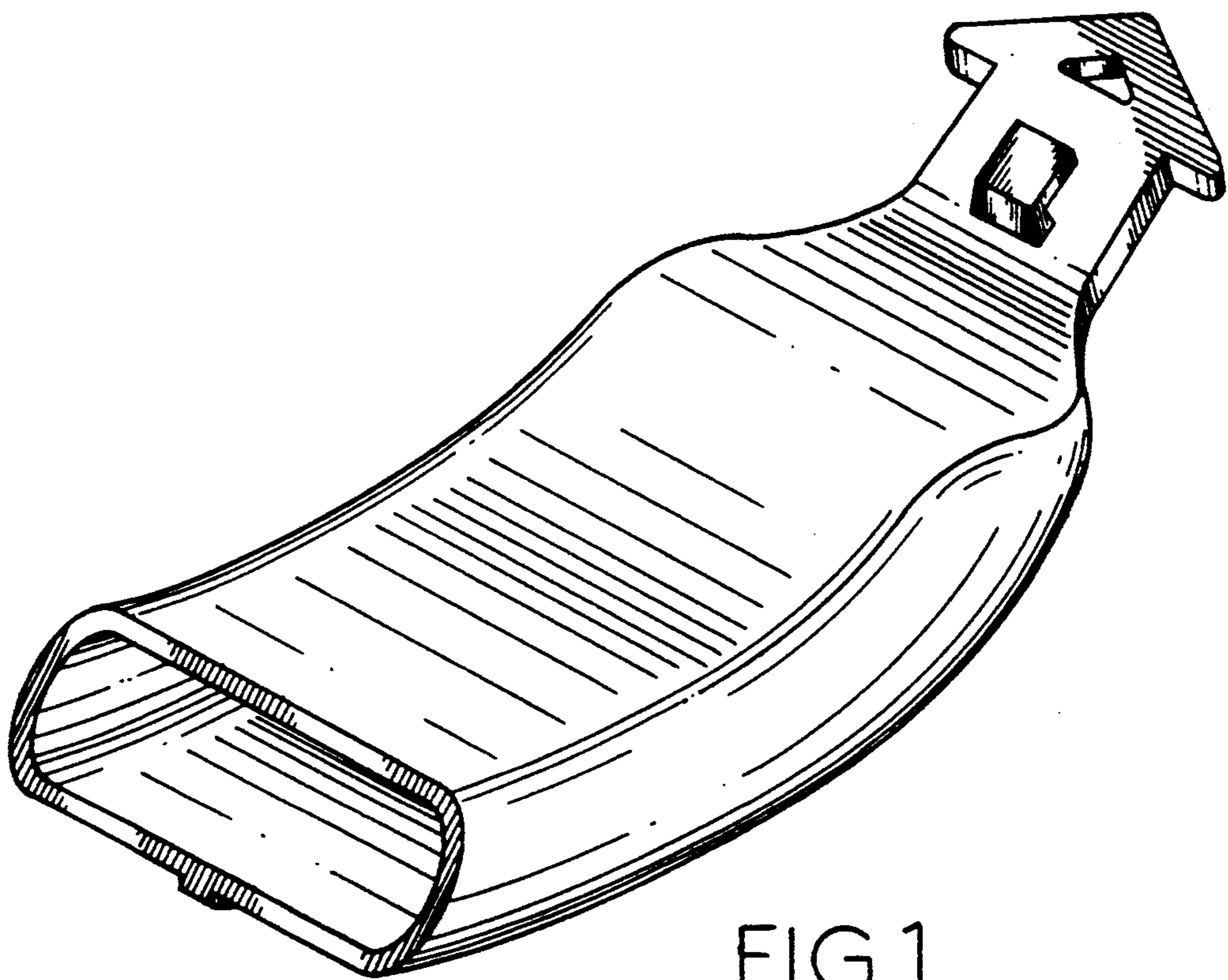


FIG.1.

FIG. 4.

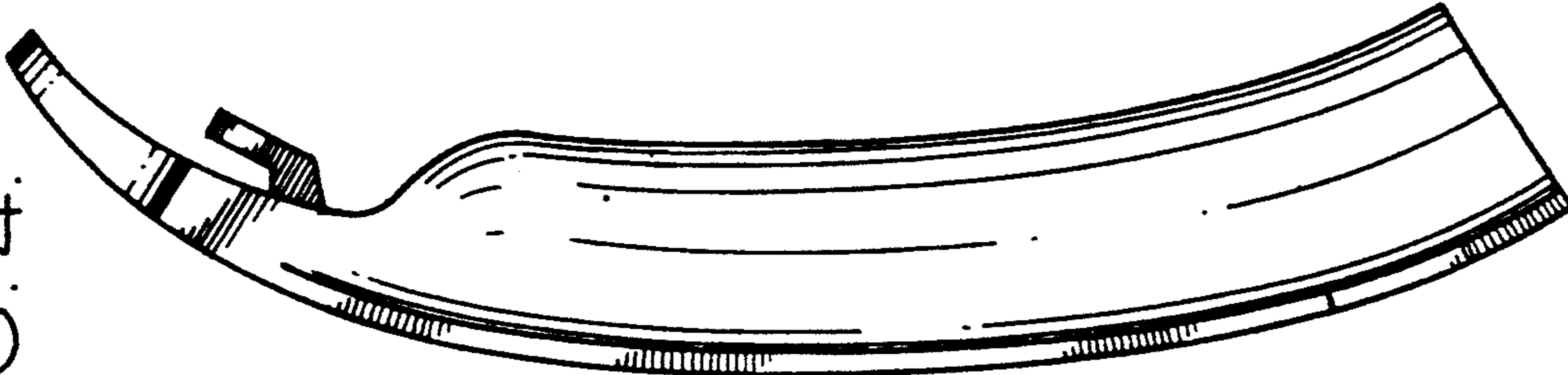


FIG. 2.

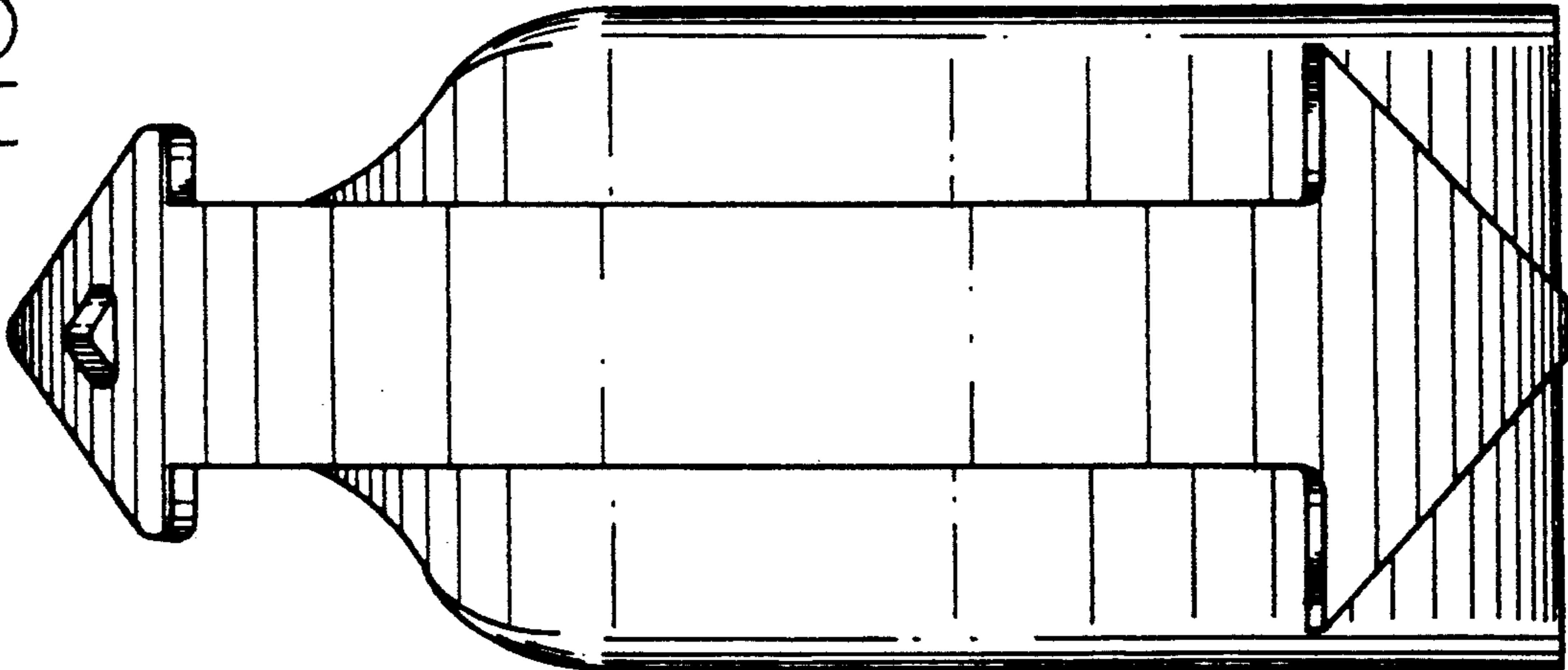


FIG. 3.

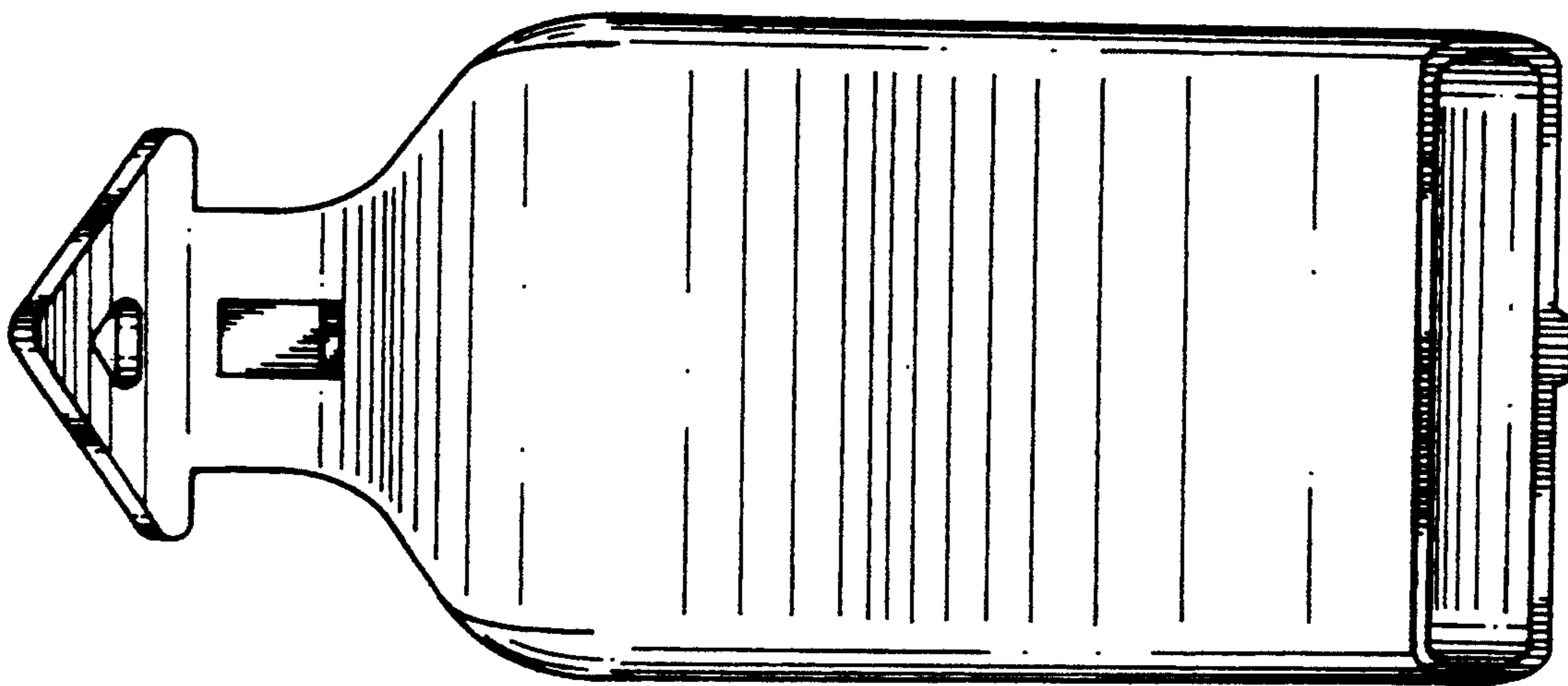


FIG. 6.

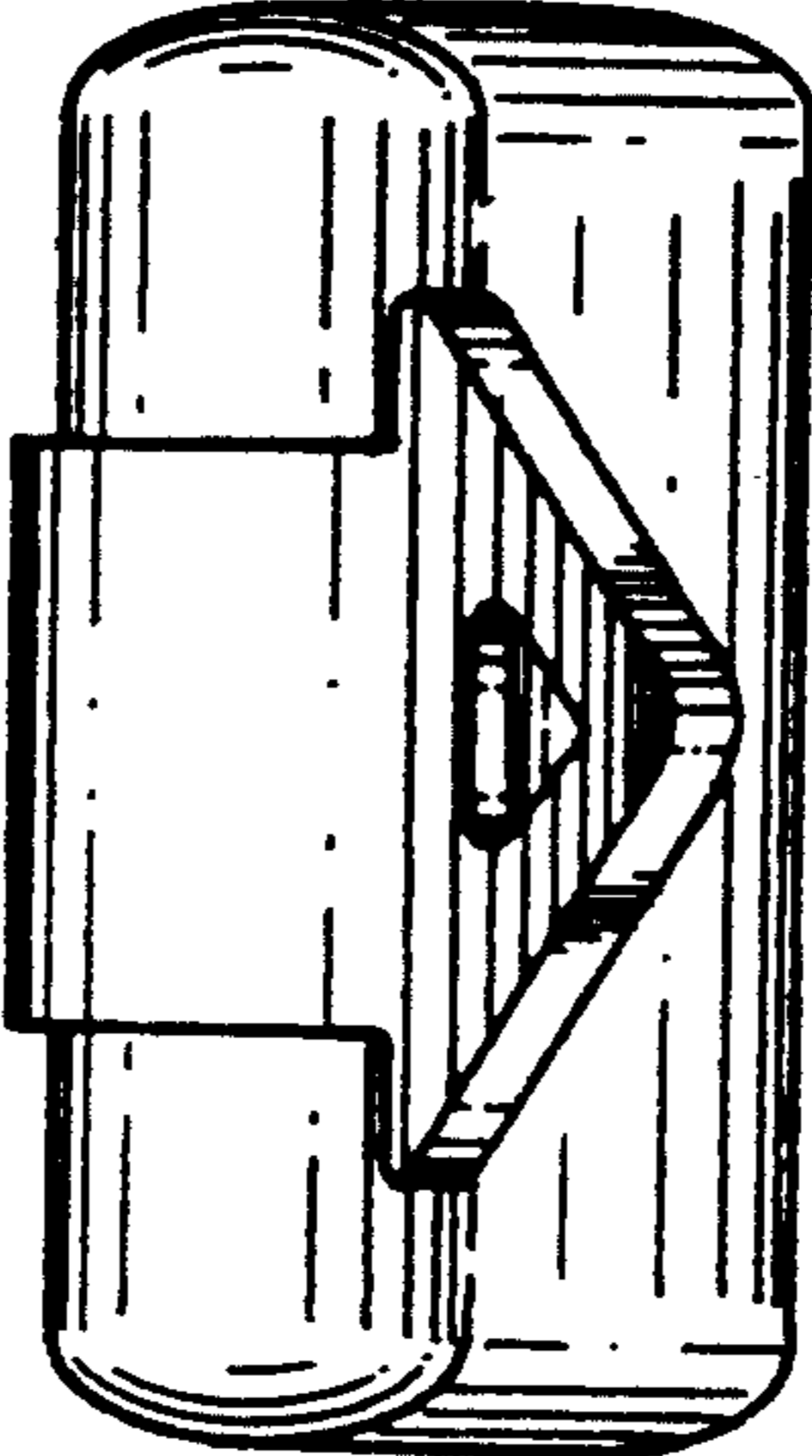


FIG. 5.

