



US00D347557S

# United States Patent [19] Schuele

[11] Patent Number: **Des. 347,557**

[45] Date of Patent: **\*\* Jun. 7, 1994**

[54] **RAKE ATTACHMENT**

[75] Inventor: **Otto H. Schuele, Ontario, Canada**

[73] Assignee: **Otoco Corporation, Barrie, Canada**

[\*\*] Term: **14 Years**

[21] Appl. No.: **880,981**

[22] Filed: **May 11, 1992**

[30] **Foreign Application Priority Data**

Nov. 11, 1991 [DE] Fed. Rep. of Germany ..... 9114055

[52] U.S. Cl. .... **D8/13**

[58] Field of Search ..... **D8/13; 56/400.01**

[56] **References Cited**

**U.S. PATENT DOCUMENTS**

D. 49,762	10/1916	Doust .	
87,718	3/1869	Skinner .	
D. 223,794	6/1972	Hart .....	D8/13
D. 274,118	6/1984	Cochrane .....	D8/13
D. 282,621	2/1986	Nuorivaara .....	D8/13
D. 308,928	7/1990	Jones .....	D8/13
481,895	8/1892	Coldwell .	

895,847	8/1908	Ditchfield .	
1,772,113	8/1930	Rowland .	
2,065,830	12/1936	Sherman .	
3,070,945	1/1963	Ugtem .....	D8/13
3,739,562	6/1973	McNamara .	
4,224,786	9/1980	Langlie et al. ....	56/400.01
5,185,992	2/1993	Garcia .....	7/116

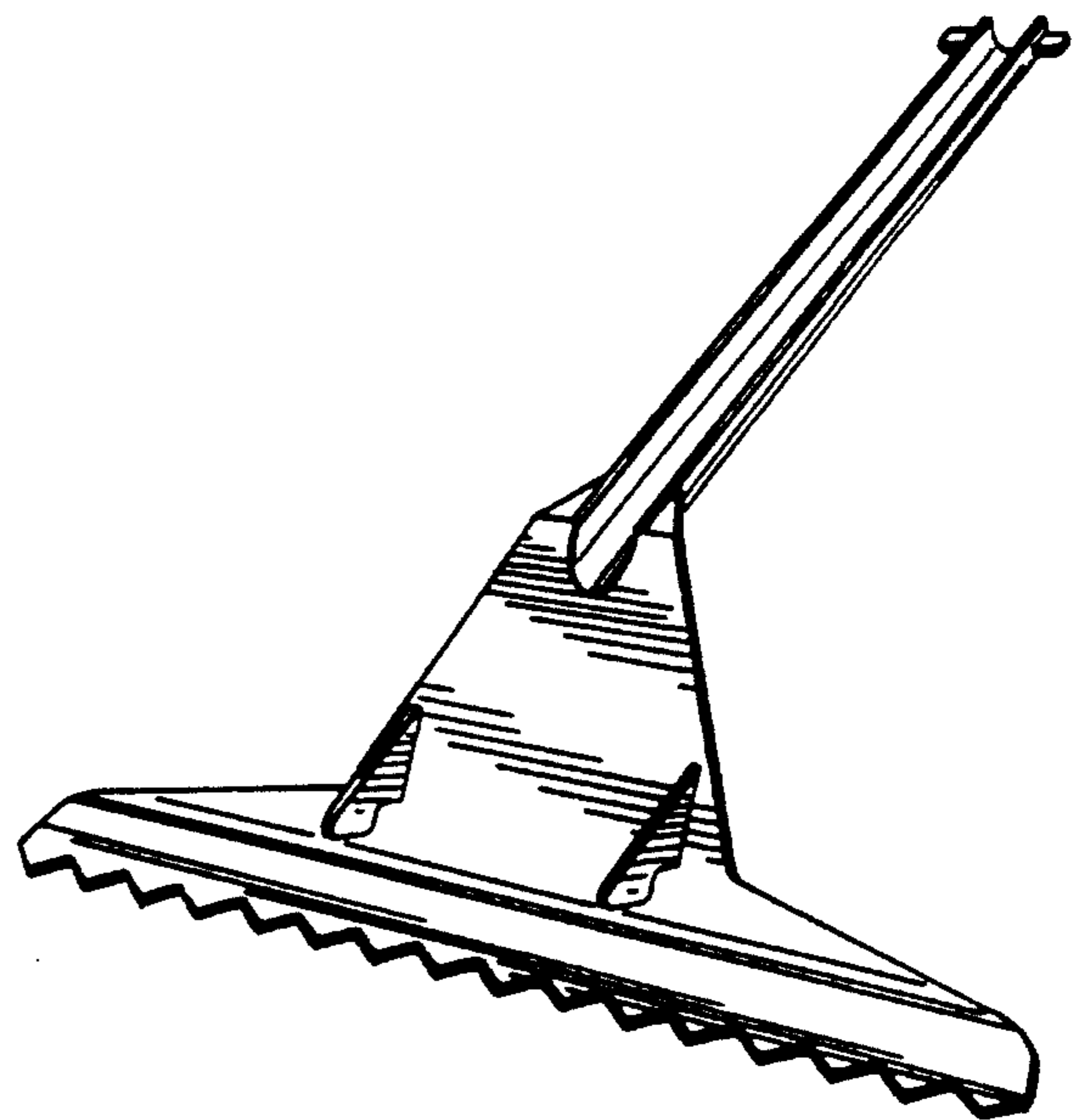
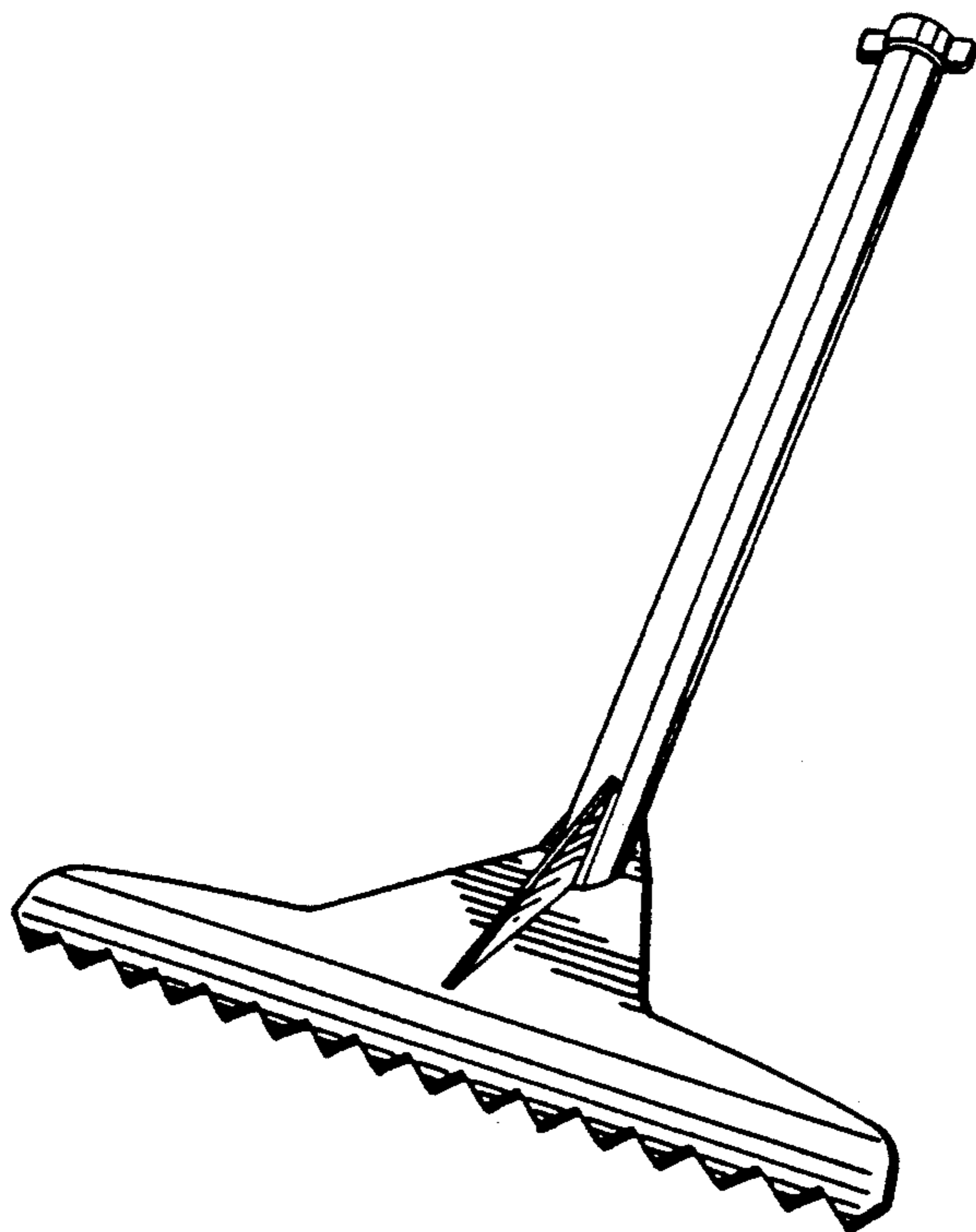
*Primary Examiner*—James M. Gandy  
*Assistant Examiner*—H. Baynham  
*Attorney, Agent, or Firm*—Barrigar & Moss

[57] **CLAIM**

The ornamental design for a rake attachment, as shown and described.

**DESCRIPTION**

FIG. 1 is a perspective view of a rake attachment taken from above and from one side showing my new design, the opposite side being a mirror image of that shown; FIG. 2 is a side view thereof; FIG. 3 is a rear elevational view thereof; FIG. 4 is a front elevational view thereof; FIG. 5 is a top front perspective view thereof; and, FIG. 6 is a bottom rear perspective view thereof.



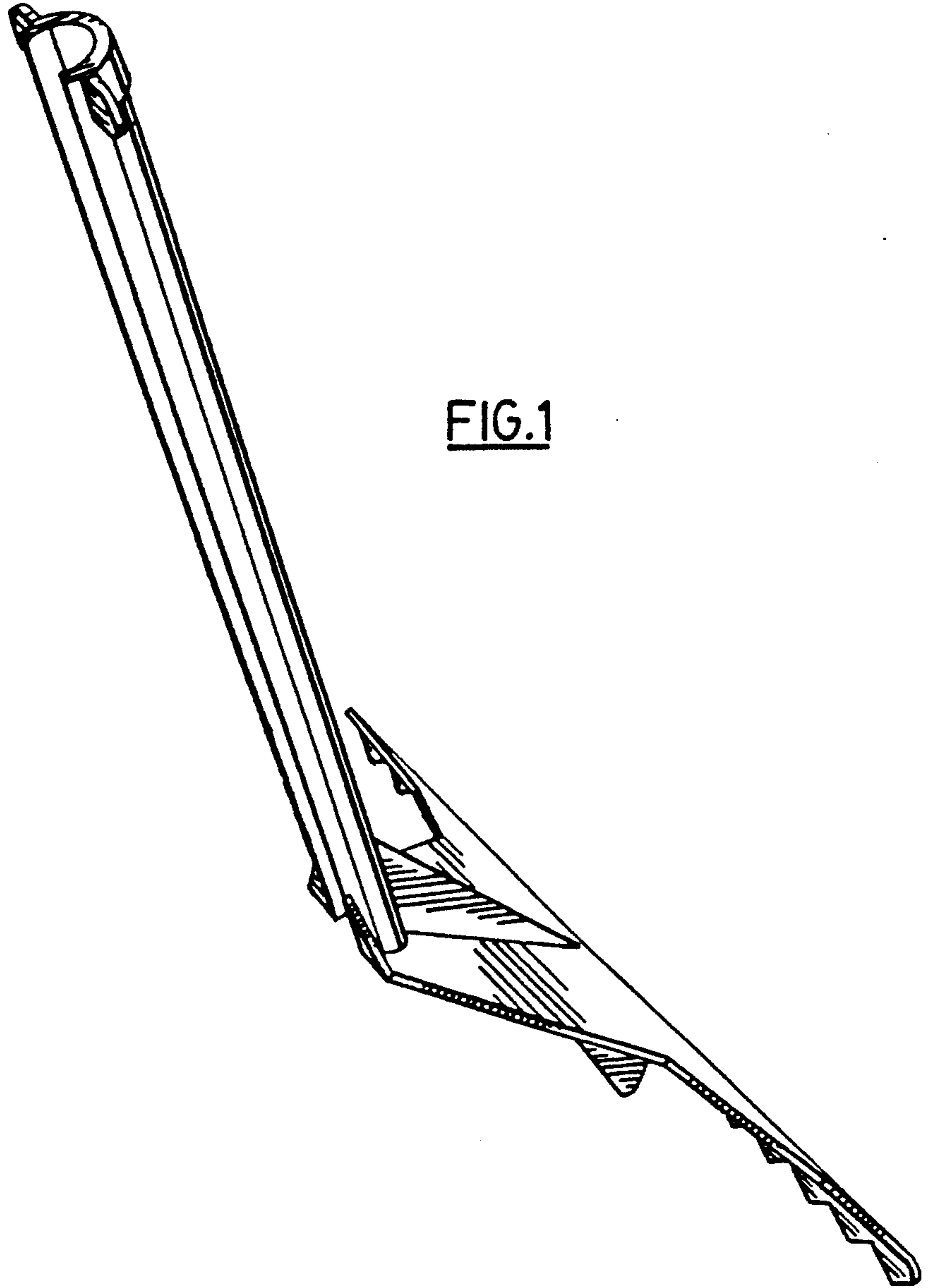


FIG. 1

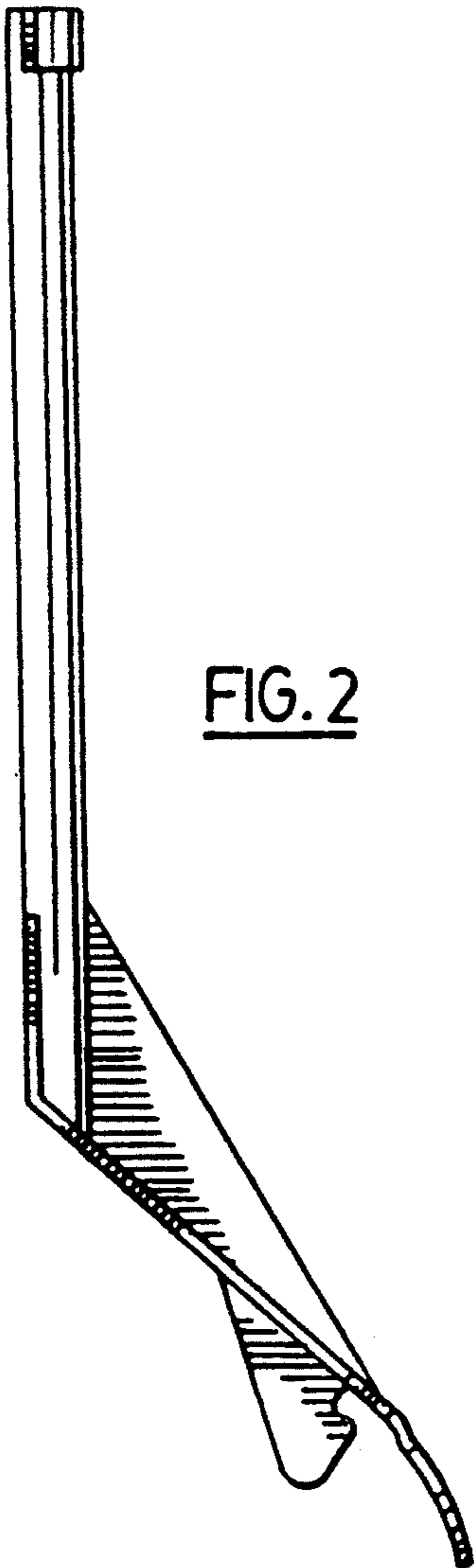
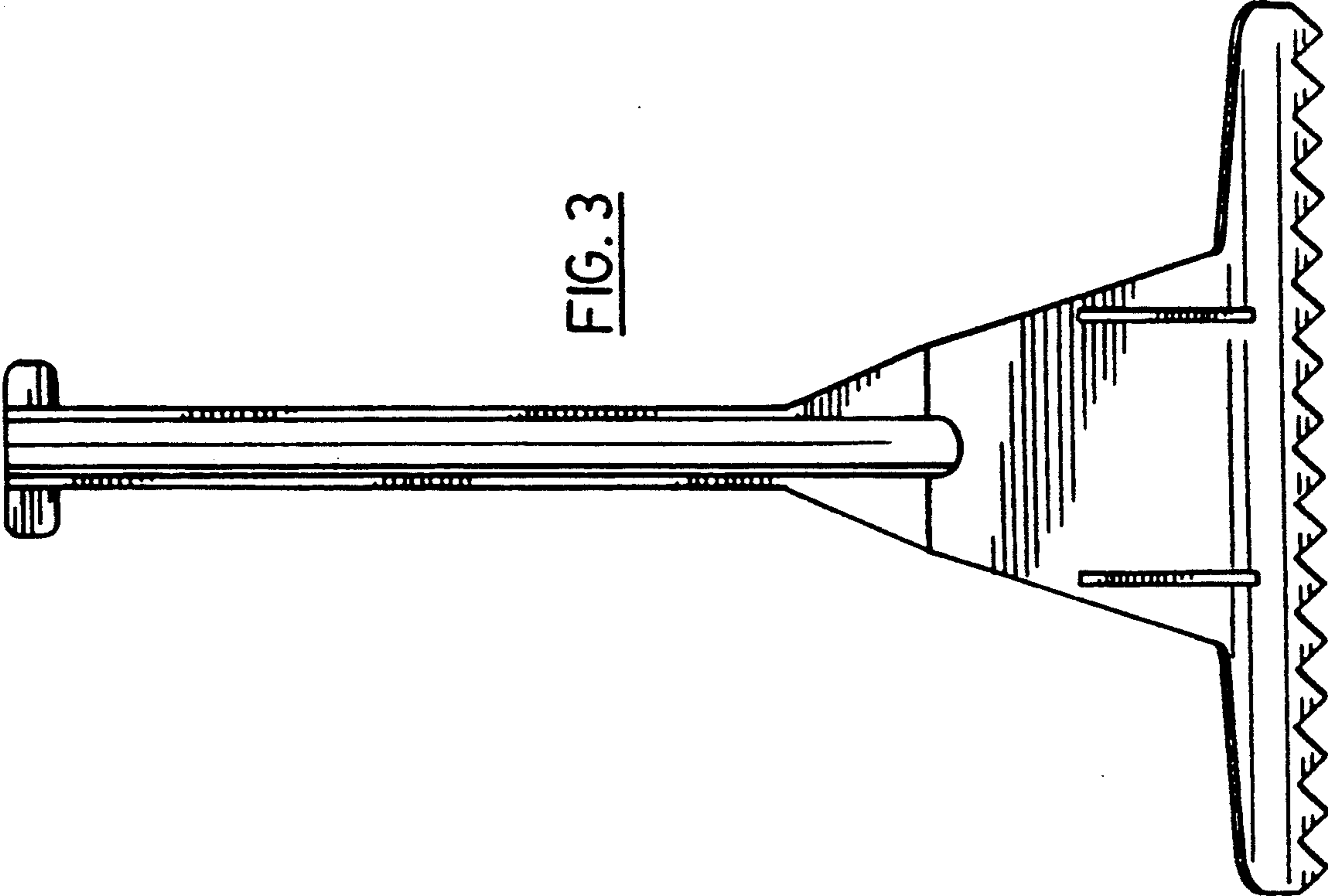
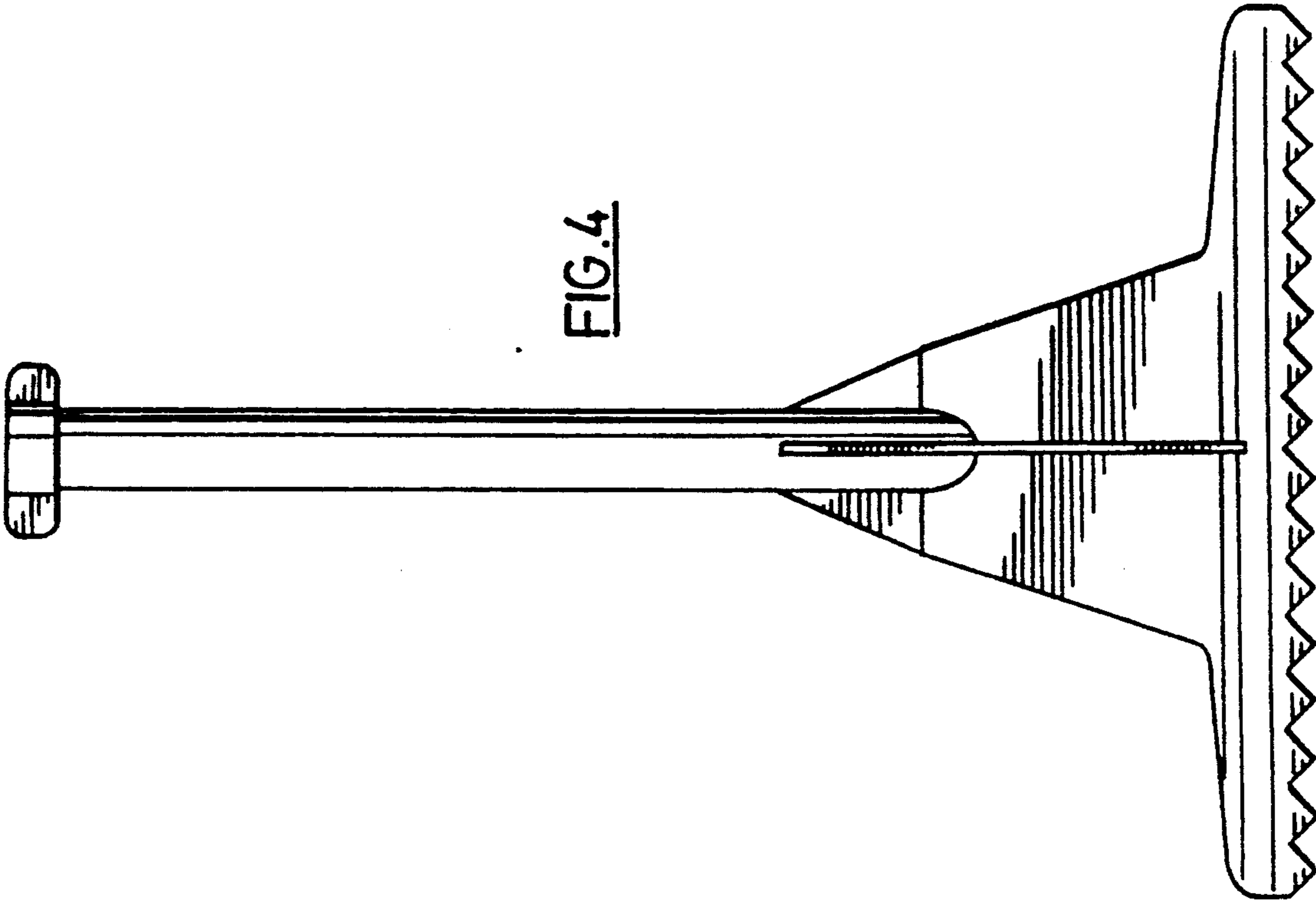


FIG. 2



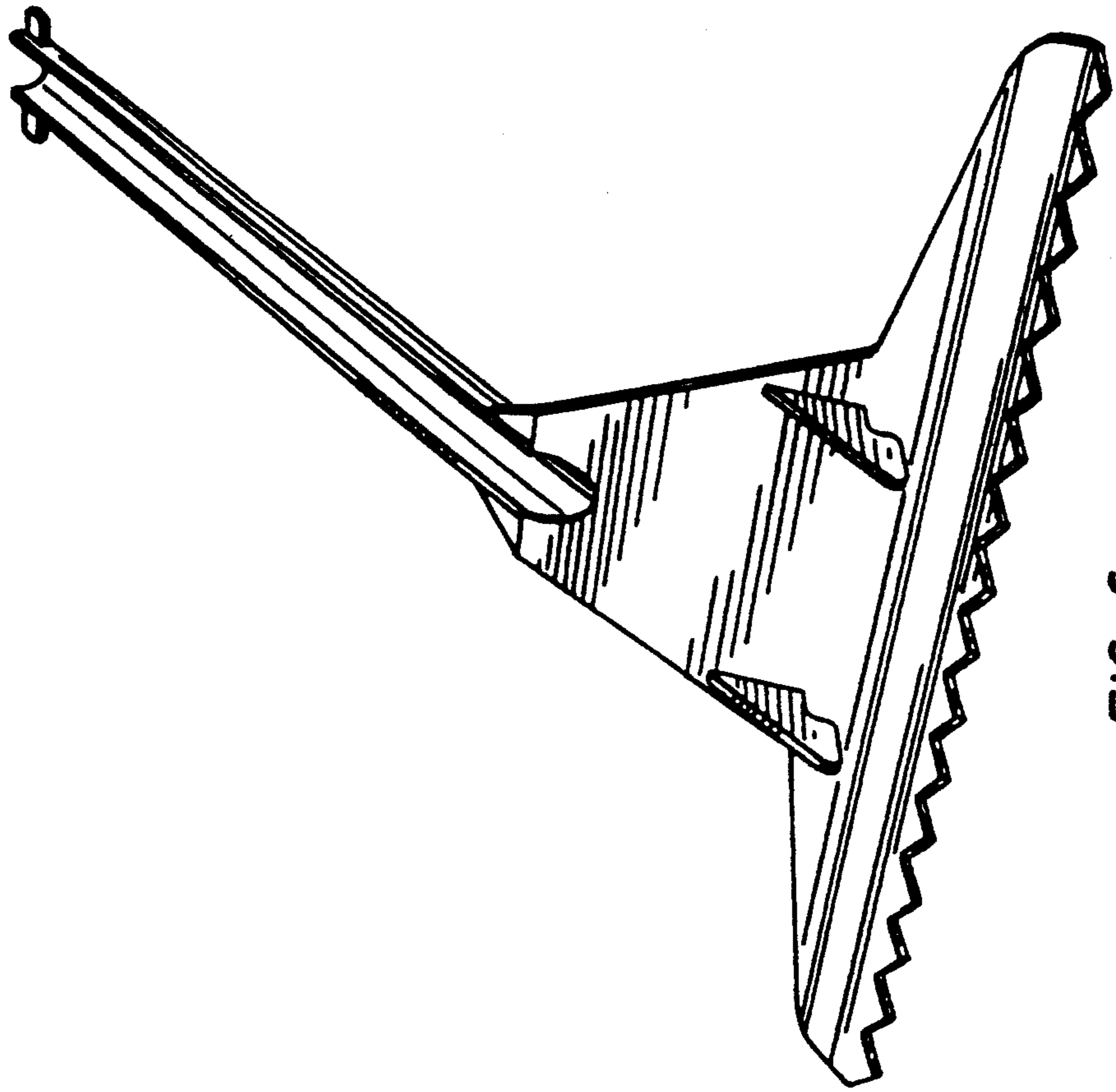


FIG. 6

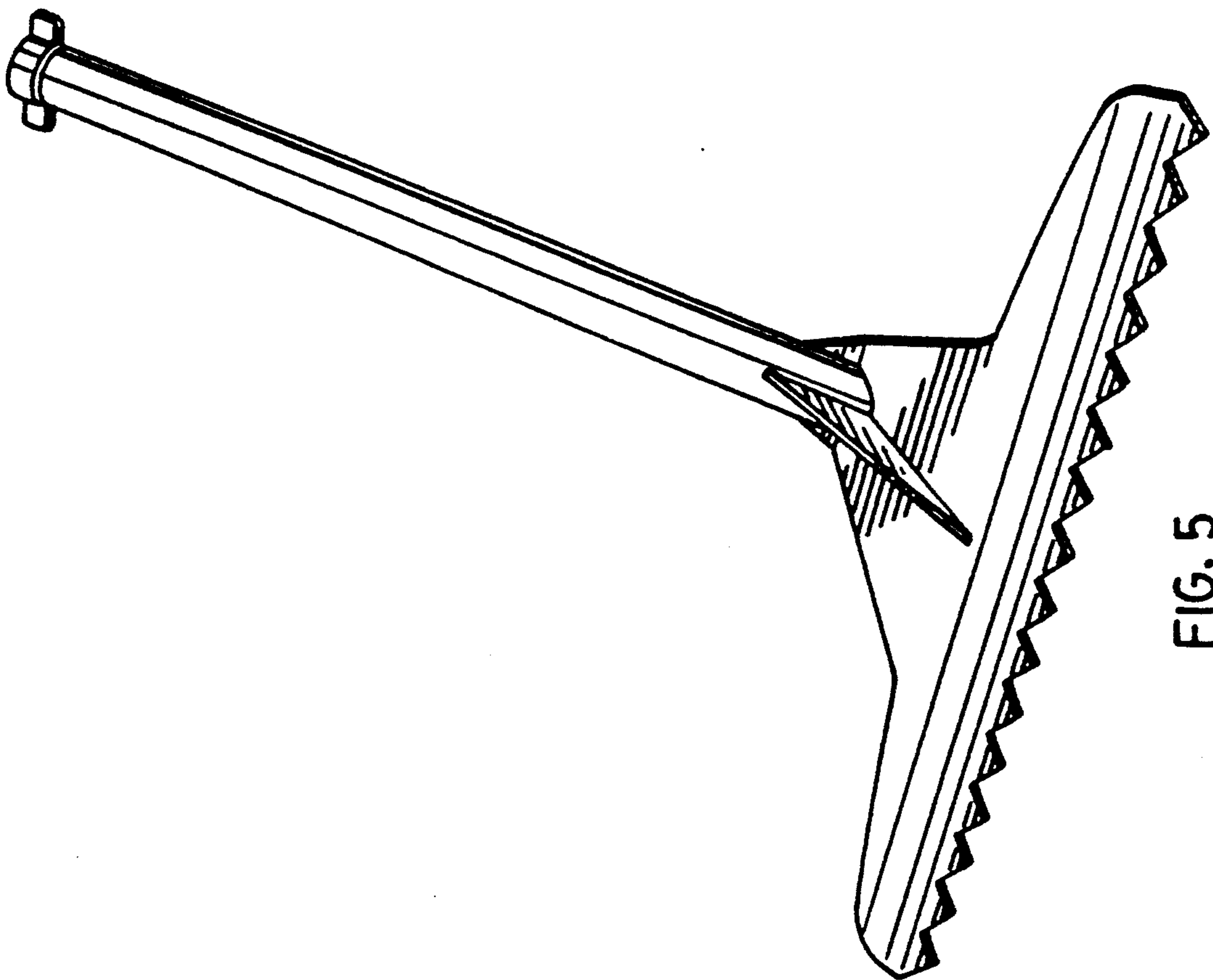


FIG. 5