



US00D347554S

United States Patent [19]

[11] Patent Number: **Des. 347,554**

Wingate et al.

[45] Date of Patent: **** Jun. 7, 1994**

[54] COMESTIBLE DISPENSER

[75] Inventors: **Mark L. Wingate, Huntley; Robert R. Snediker, Northfield, both of Ill.**

[73] Assignee: **Chicago Show Printing, Morton Grove, Ill.**

[**] Term: **14 Years**

[21] Appl. No.: **896,350**

[22] Filed: **Jun. 11, 1992**

[52] U.S. Cl. **D7/612**

[58] Field of Search **D6/470; D7/612-615; 215/1 R, 6; 312/117, 118, 120, 138.1**

OTHER PUBLICATIONS

Restaurants & Institutions, Feb. 1981, p. 197, "Scoop", bottom right corner.

Cal Corp. Catalog, Jan. 1986, pp. 5 and 6, "Plastic Bins With Scoop".

Trade Bins of Little Rock Catalog, p. 11, "Plastic Bins With Scoop".

Primary Examiner—Terry A. Wallace

Attorney, Agent, or Firm—William Brinks Hofer Gilson & Lione

[57] CLAIM

The ornamental design for the comestible dispenser, as shown and described.

DESCRIPTION

FIG. 1 is a front elevational view of the comestible dispenser showing our new design; FIG. 2 is a left side elevational view thereof; FIG. 3 is a right side elevational view thereof; FIG. 4 is a bottom plan view thereof; FIG. 5 is a top plan view thereof; FIG. 6 is a rear elevational view thereof; and, FIG. 7 is a perspective view thereof, the second dispenser shown in broken lines for illustrative purposes only.

[56] References Cited

U.S. PATENT DOCUMENTS

- D. 200,969 4/1965 Wildgen .
- D. 212,212 9/1968 Tompkins .
- D. 250,871 1/1979 Taylor .
- D. 257,549 11/1980 Chapman .
- D. 293,289 12/1987 Edwards et al. .
- D. 293,407 12/1987 Edwards et al. .
- 1,240,072 9/1917 Maiden .
- 4,744,487 5/1988 Welborn .

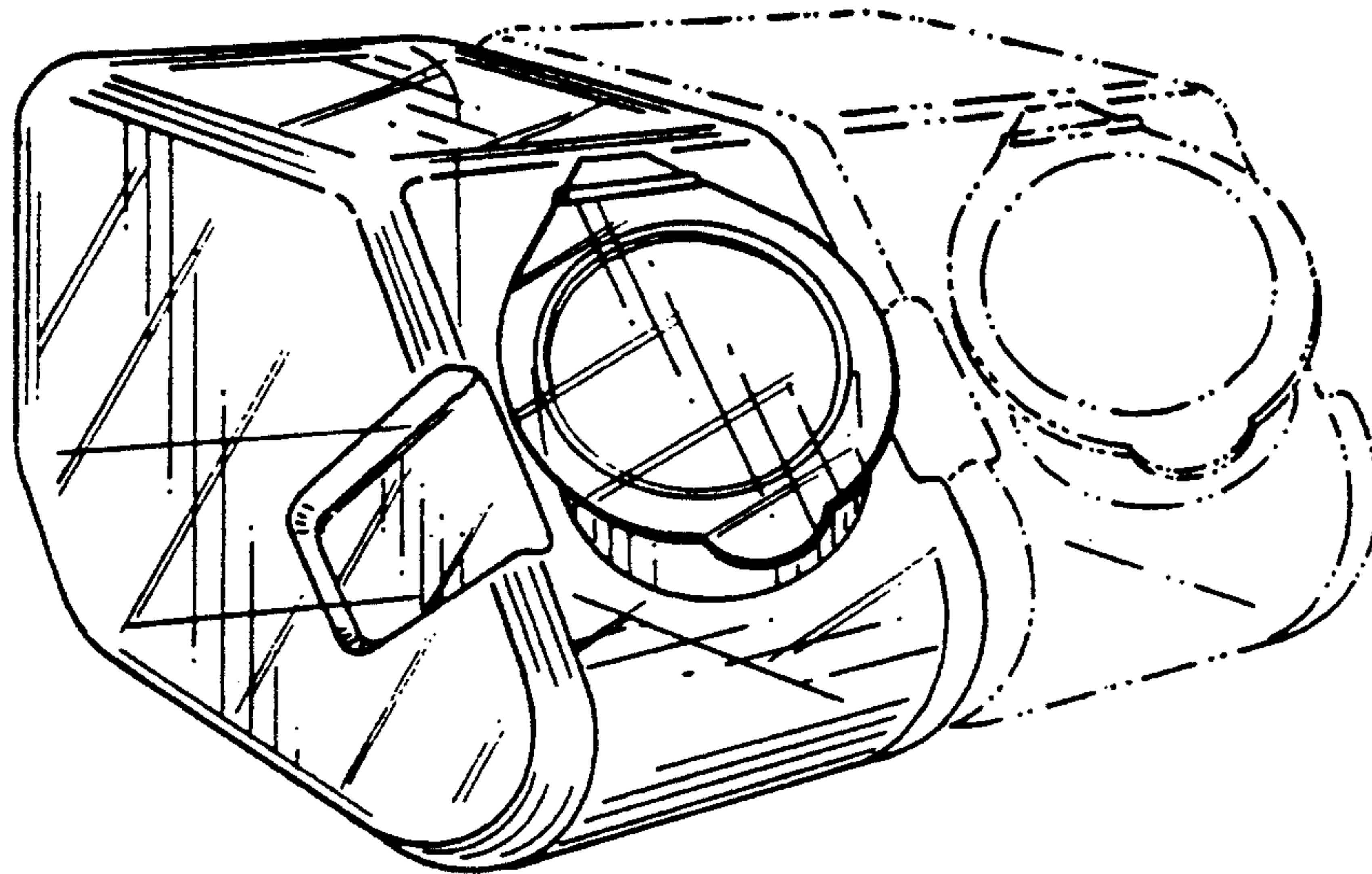


Fig. 1.

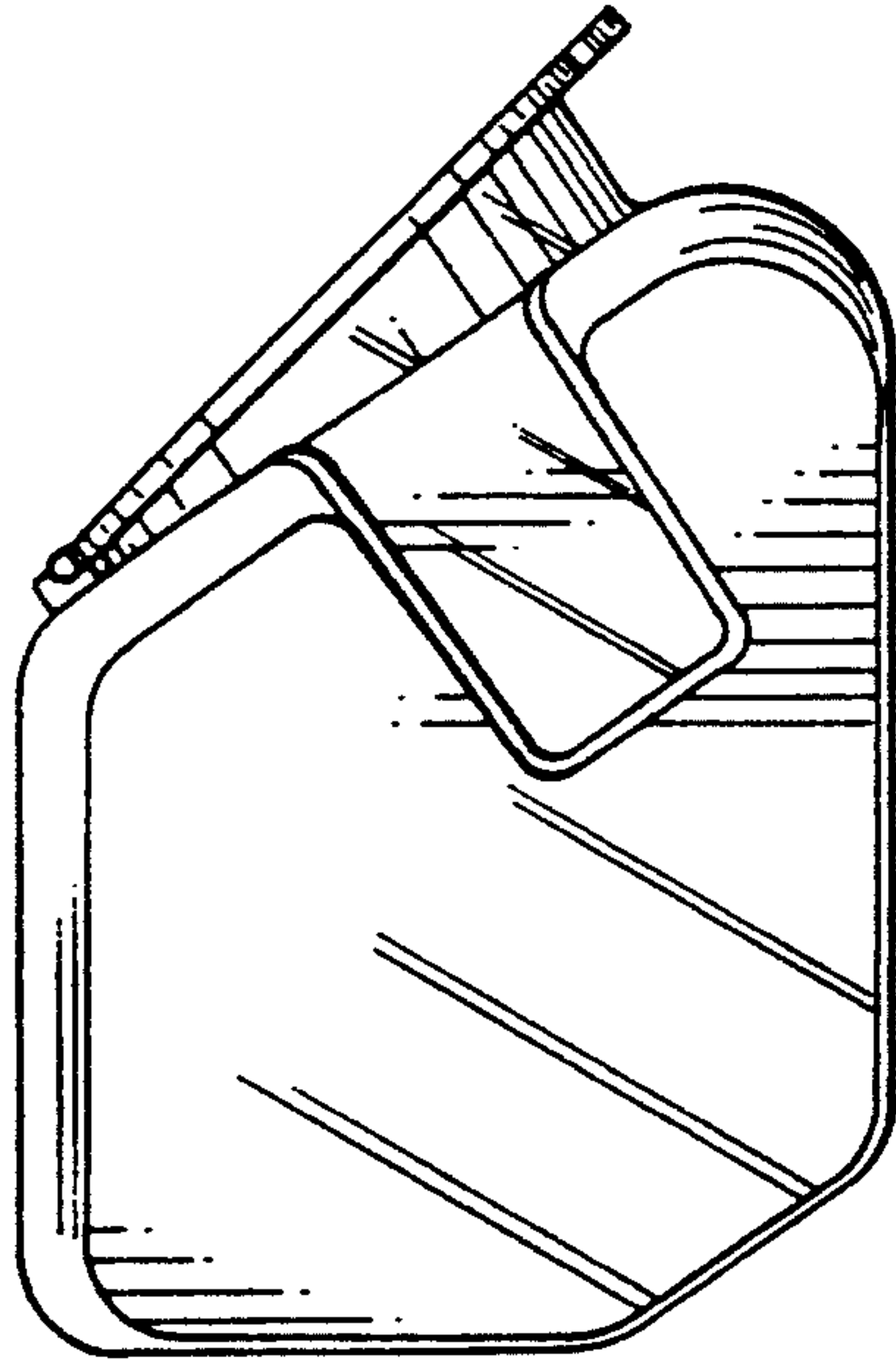
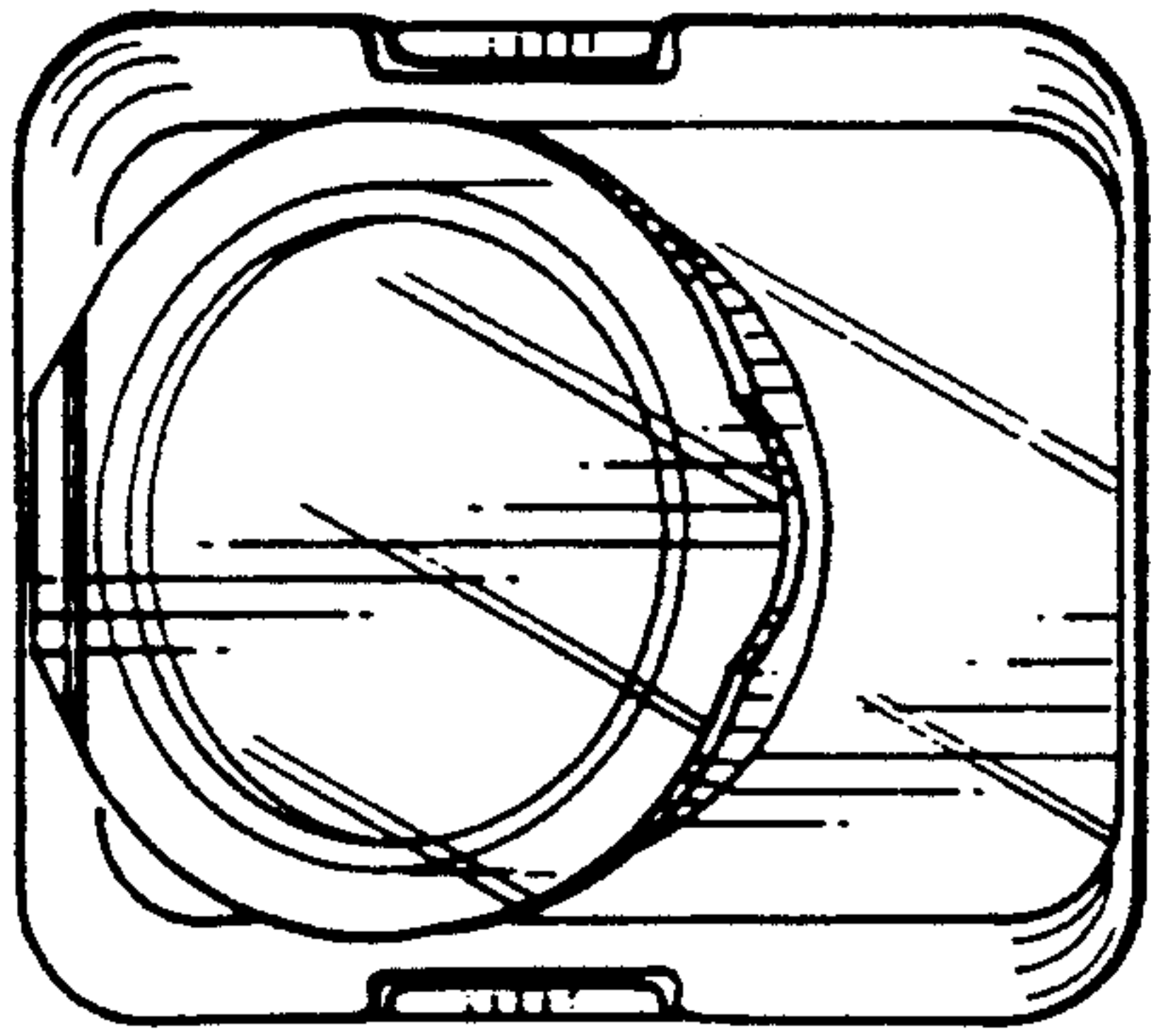


Fig. 2.

Fig. 3.

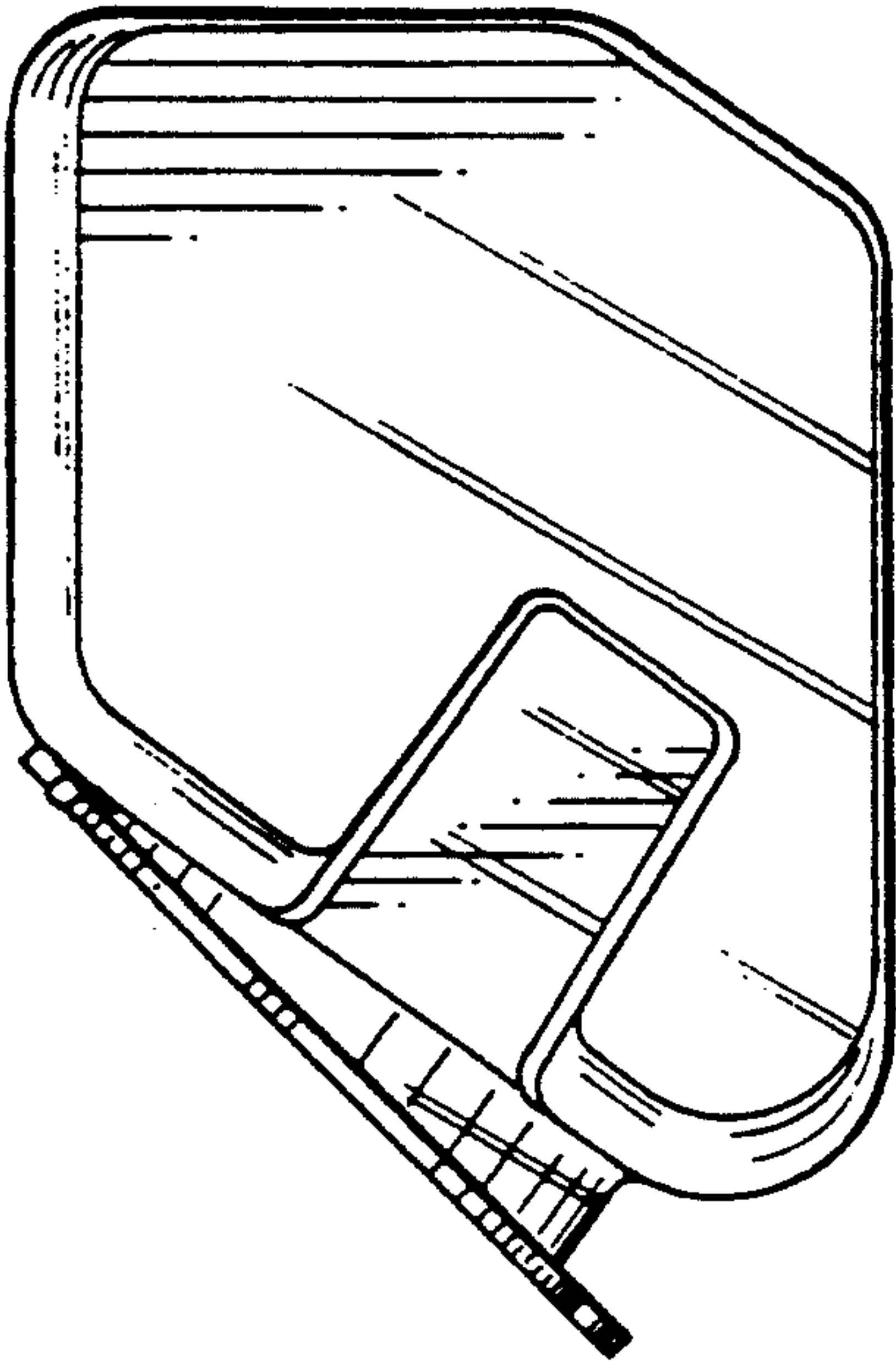
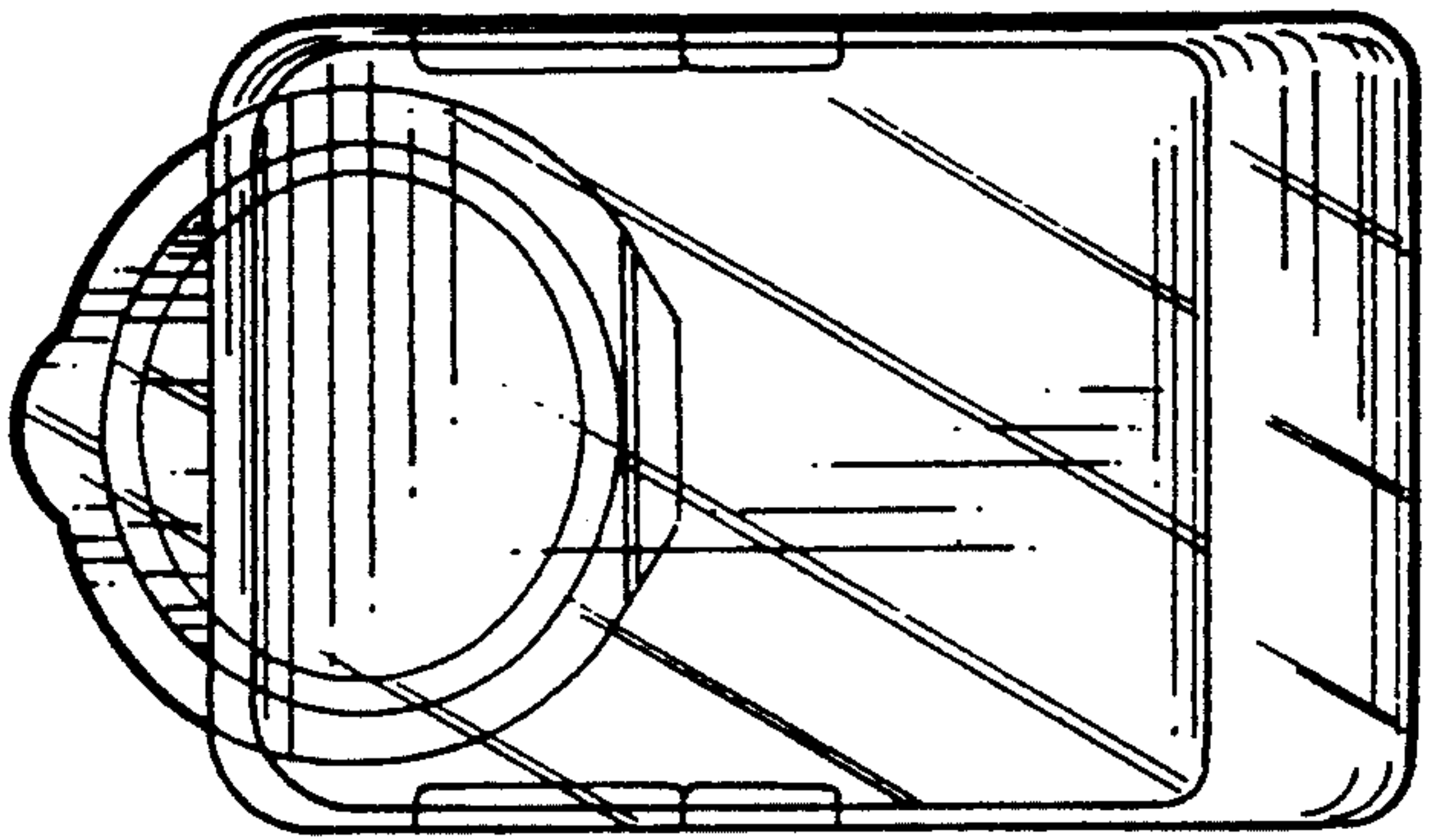


Fig. 4.



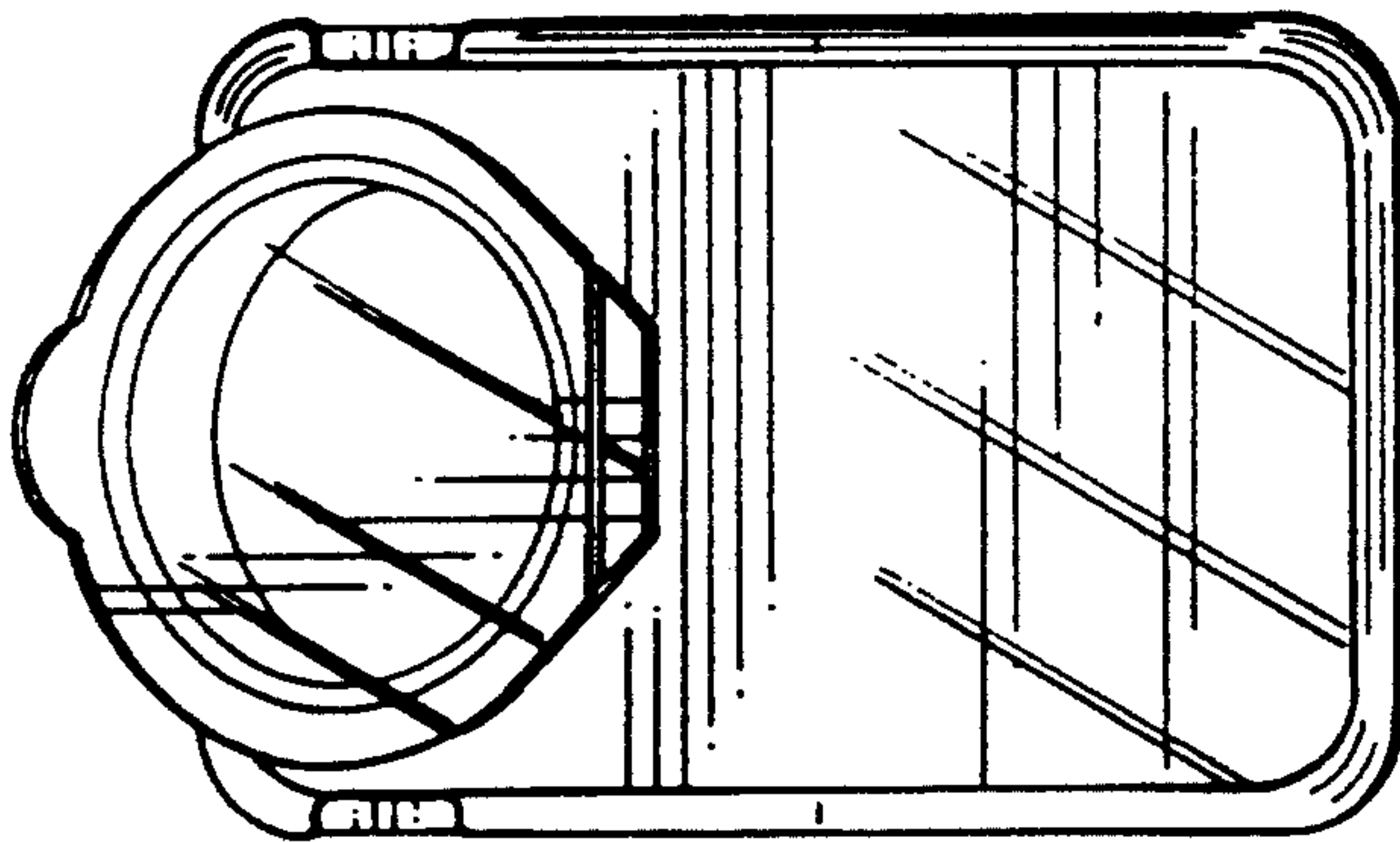


Fig. 5.

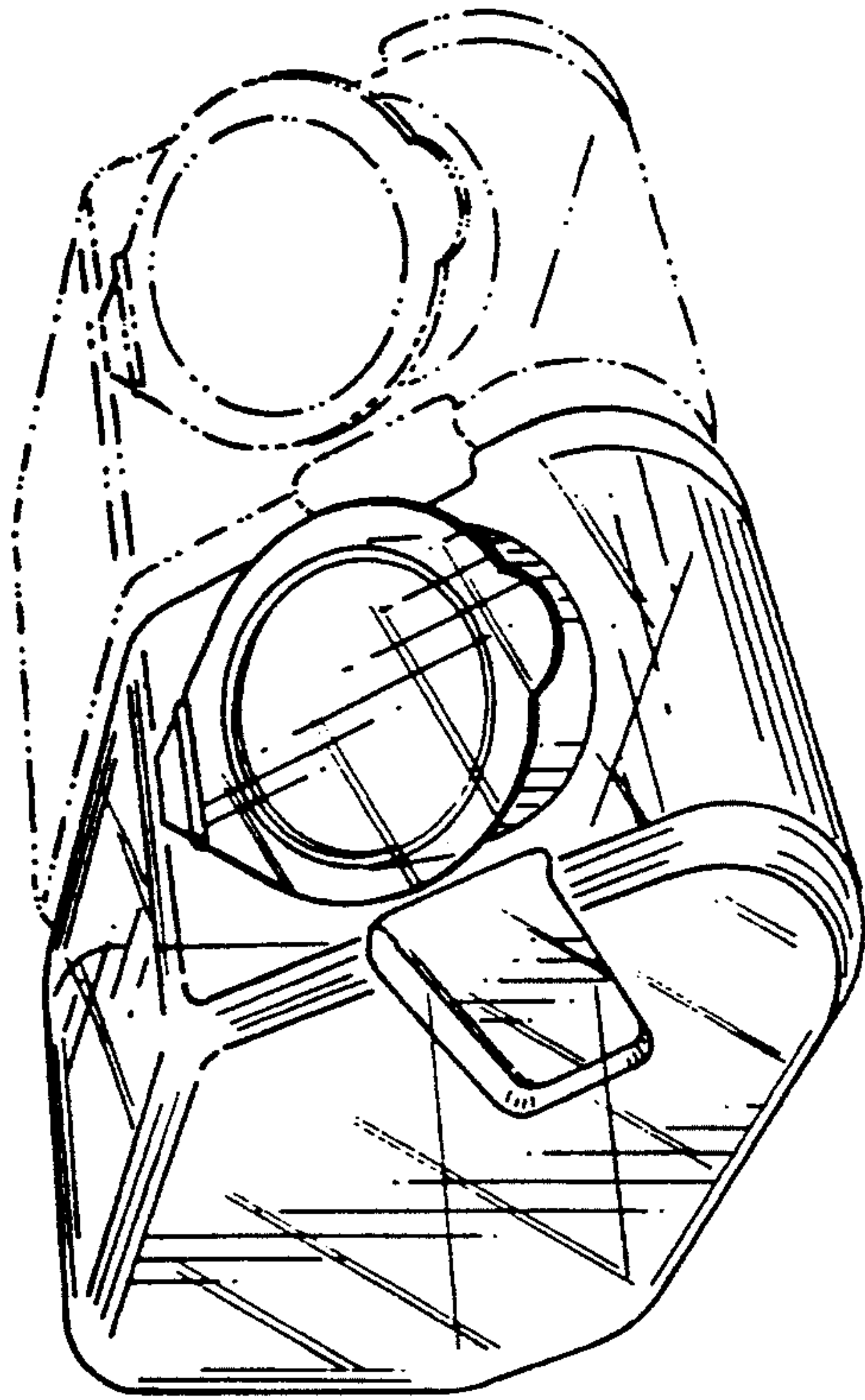


Fig. 6.

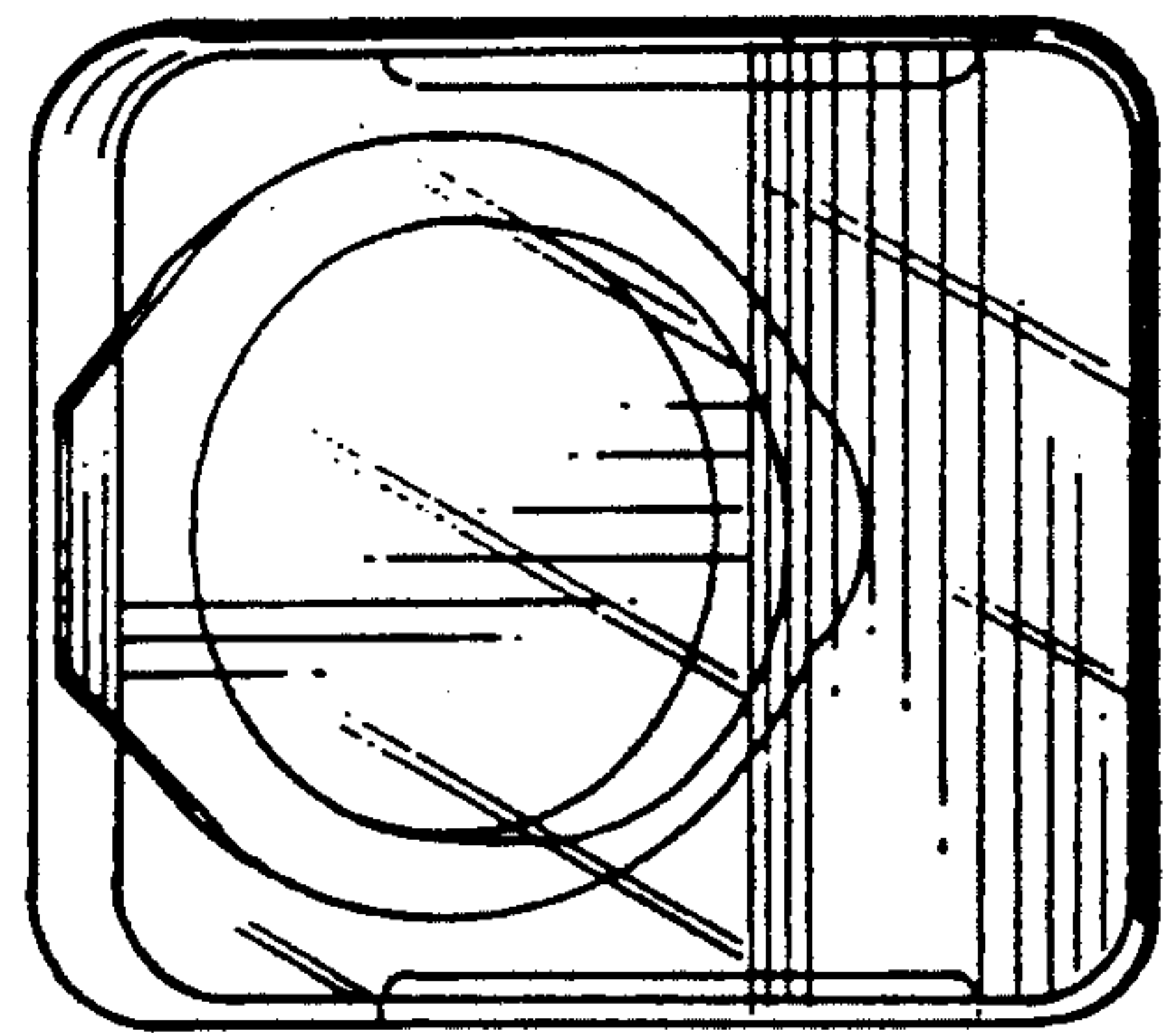


Fig. 7.