



US00D347551S

United States Patent [19]

[11] Patent Number: **Des. 347,551**

Gress

[45] Date of Patent: **** Jun. 7, 1994**

[54] **DISPOSABLE BARBECUE GRILL**

3,306,281	2/1967	Hoebel	D7/337
3,800,777	4/1974	Gebien	99/385 X
3,938,494	2/1976	Clark	99/339 X

[76] Inventor: **Karen K. Gress**, 118 Summit House, West Chester, Pa. 19382

Primary Examiner—Alan P. Douglas
Assistant Examiner—Caron D. Veynar
Attorney, Agent, or Firm—Terry M. Gernstein

[**] Term: **14 Years**

[21] Appl. No.: **876,222**

[57] **CLAIM**

[22] Filed: **Apr. 30, 1992**

The ornamental design for a disposable barbecue grill, as shown and described.

[52] U.S. Cl. **D7/409; D7/402**

[58] Field of Search **D7/409, 408, 402, 388, D7/334-337; 99/339, 422, 448, 385; 126/25 R, 25 AA, 27, 337 R, 338, 505, 506**

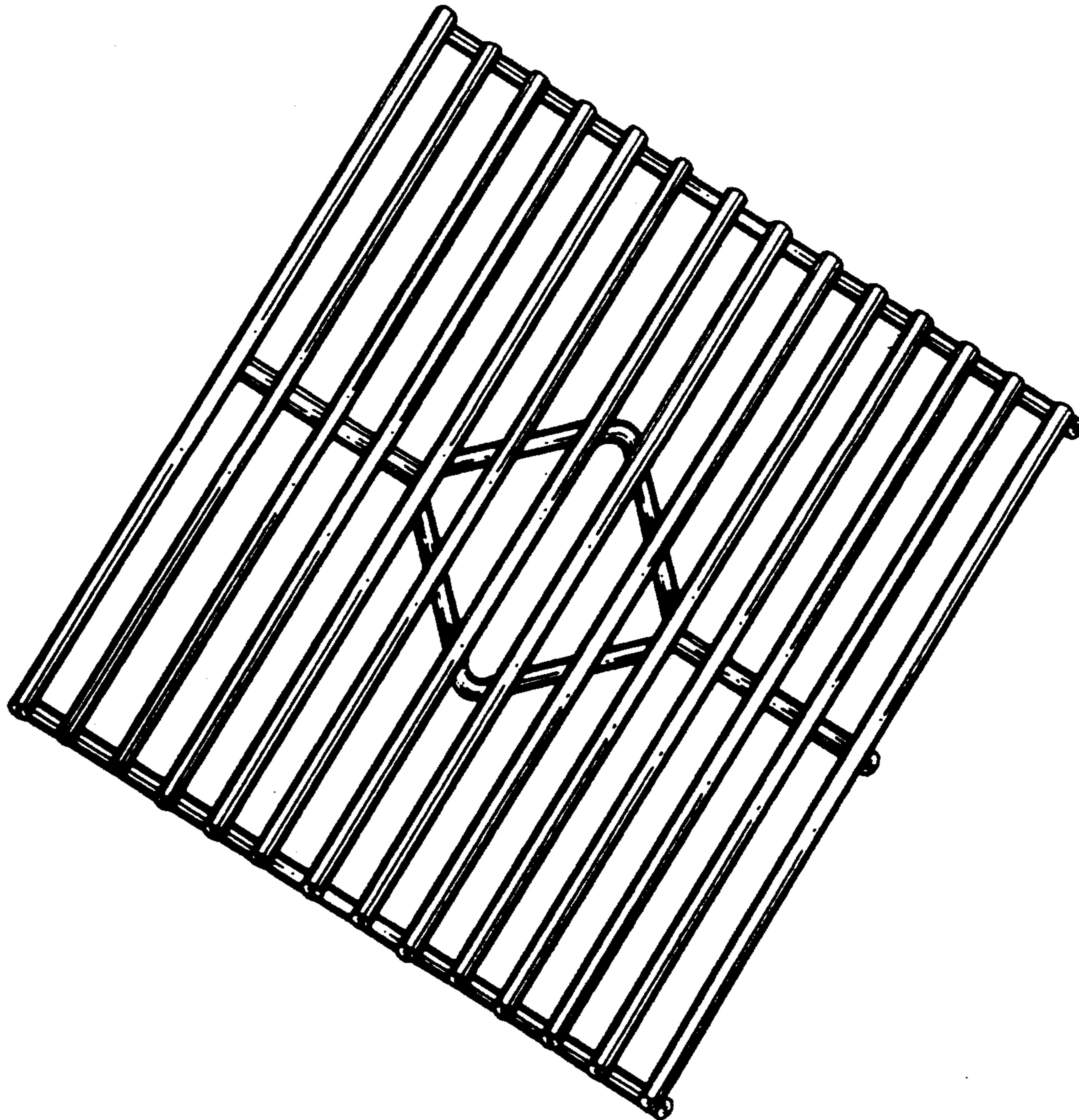
DESCRIPTION

[56] **References Cited**

U.S. PATENT DOCUMENTS

D. 263,194	3/1982	Schwartz	D7/335
D. 287,091	12/1986	Elliston	D7/337
D. 290,923	7/1987	Erickson	D7/337
D. 327,602	7/1992	Walker	D7/335

FIG. 1 is a perspective view of the disposable barbecue grill embodying the design of the present invention; FIG. 2 is an end elevational view thereof, the end opposite being a mirror image of the end shown in FIG. 2; FIG. 3 is a side elevational view thereof, the side opposite being a mirror image of the side shown in FIG. 3; FIG. 4 is a top plan view thereof; and, FIG. 5 is a bottom view thereof.



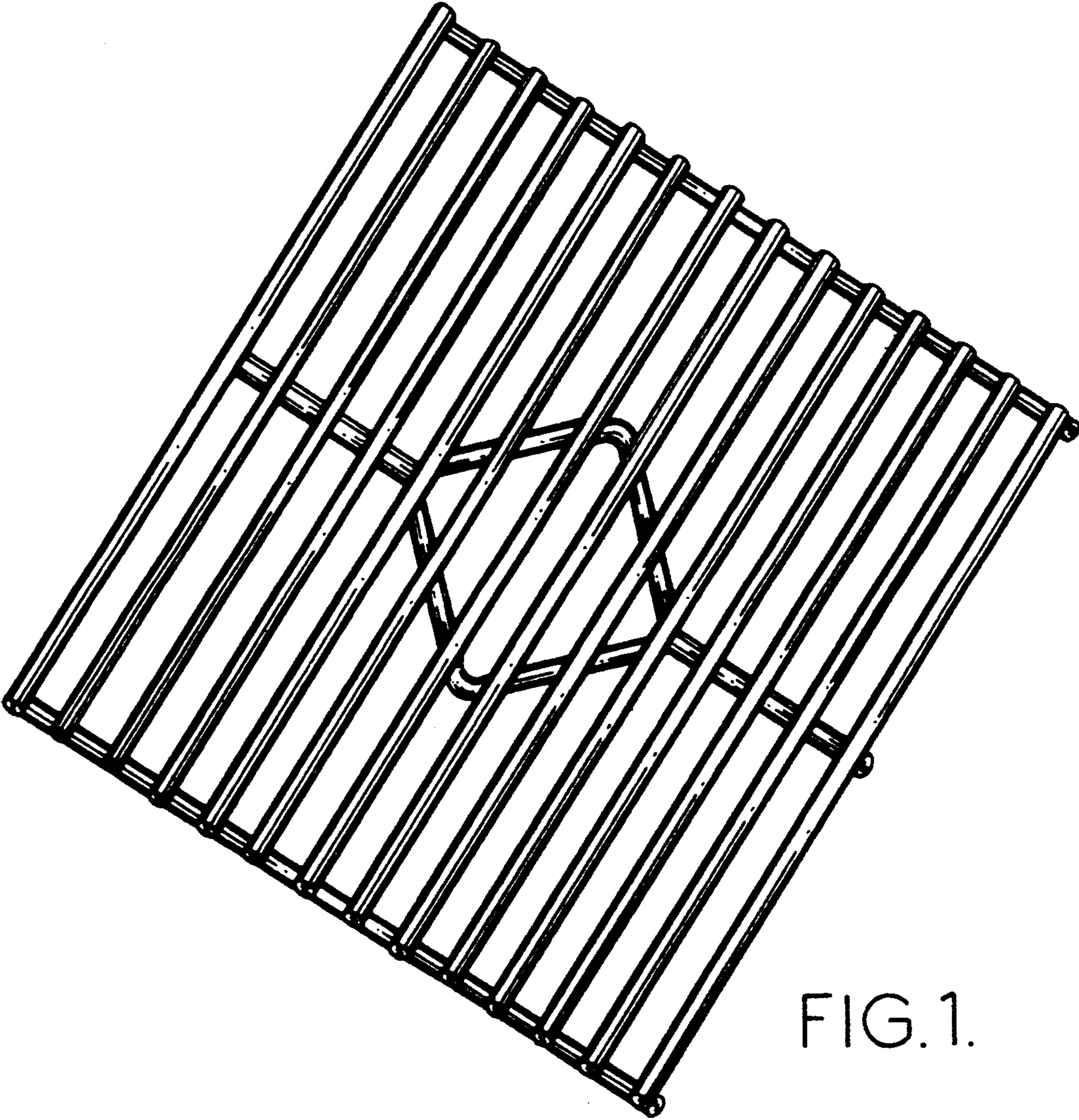


FIG. 1.

FIG. 2.



FIG. 4.

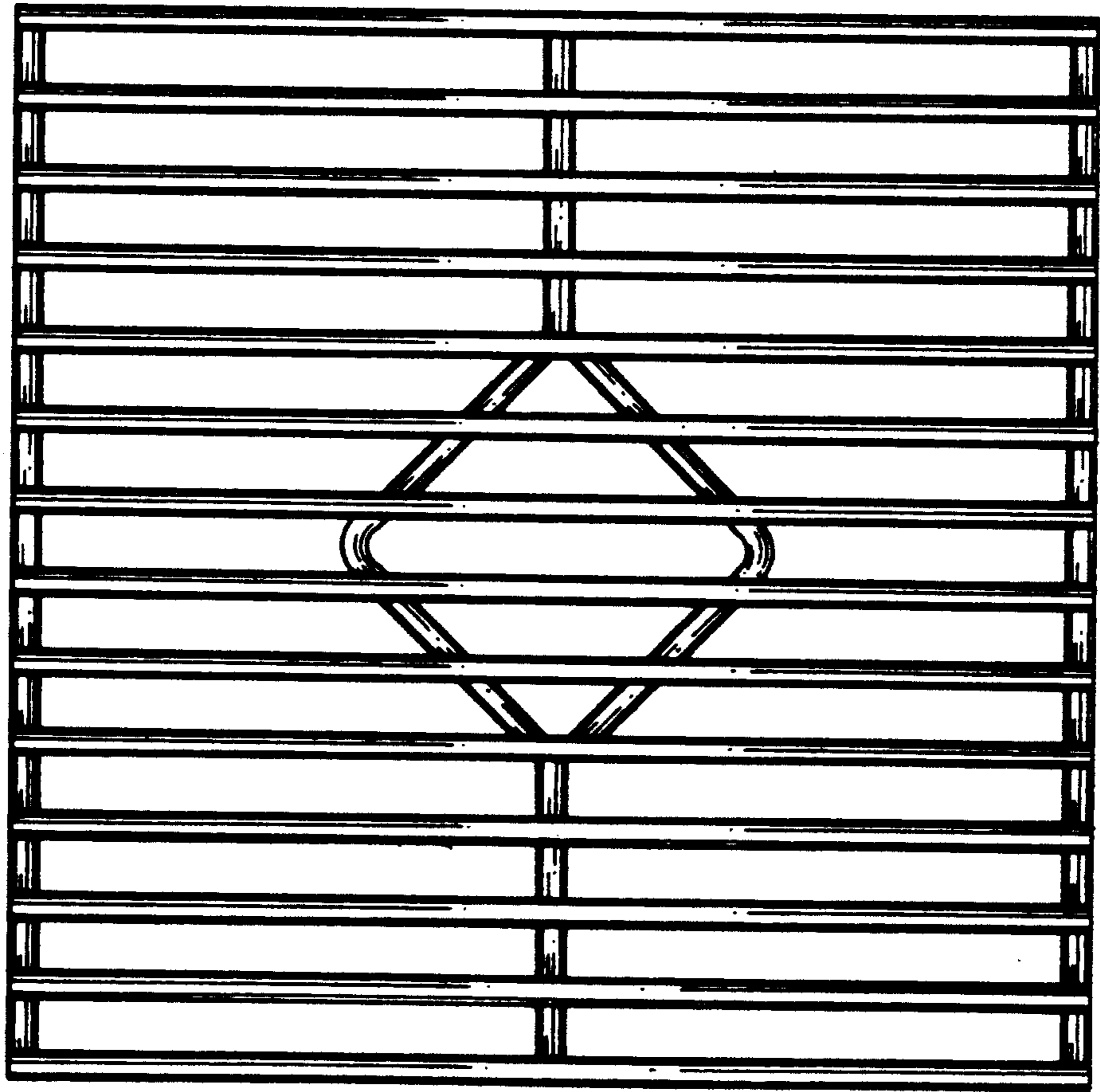


FIG. 3.



FIG. 5.

