



US00D347550S

# United States Patent [19]

[11] Patent Number: **Des. 347,550**

**Boone**

[45] Date of Patent: **\*\* Jun. 7, 1994**

[54] **ELECTRIC RANGE CONTROL PANEL COVER**

4,157,705 6/1979 Caan ..... D7/402  
4,922,888 5/1990 Bryan et al. .... 126/42  
5,040,162 8/1991 DeRozarieux et al. .... 369/75.1

[76] Inventor: **Ralph S. Boone, 437 Highland Ave., Hampton, Va. 23661**

### FOREIGN PATENT DOCUMENTS

[\*\*] Term: **14 Years**

2631106 5/1988 France .

[21] Appl. No.: **1,855**

*Primary Examiner*—Ruth McInroy  
*Attorney, Agent, or Firm*—Richard C. Litman

[22] Filed: **Nov. 24, 1992**

[52] U.S. Cl. .... **D7/402**

[58] Field of Search ..... **D7/402, 405-406, D7/339-340, 346-347; 126/211, 214 R, 214 B, 214 C, 214 D, 220-221, 37 A, 42**

### [57] CLAIM

The ornamental design for an electric range control panel cover, as shown and described.

### DESCRIPTION

FIG. 1 is an environmental perspective view of an electric range control panel cover showing my new design; FIG. 2 is a perspective view thereof; FIG. 3 is a front elevational view thereof; FIG. 4 is a rear elevational view thereof; FIG. 5 is a top view thereof; FIG. 6 is a right side elevational view with the left side being a mirror image thereof; and, FIG. 7 is a bottom view thereof.

The broken line showing of an electric range control panel and rivets at four locations along the top of the panel in FIG. 1 is for illustrative purposes only and forms no part of the claimed design.

### [56] References Cited

#### U.S. PATENT DOCUMENTS

D. 284,345	6/1986	Baughman	.....	D7/402
D. 301,008	5/1989	Williams	.....	D7/402
D. 305,291	1/1990	Klev	.....	D7/402
D. 306,119	2/1990	Stockman et al.	.....	D7/406
D. 309,540	7/1990	Suttles et al.	.....	D7/402
D. 325,249	4/1992	Kliebert	.....	D7/402
D. 339,718	9/1993	Coy	.....	D7/402
2,457,877	1/1949	Doner	.....	219/35
3,527,200	9/1970	Baltz	.....	126/42
3,789,823	2/1974	Doskocil	.....	126/42

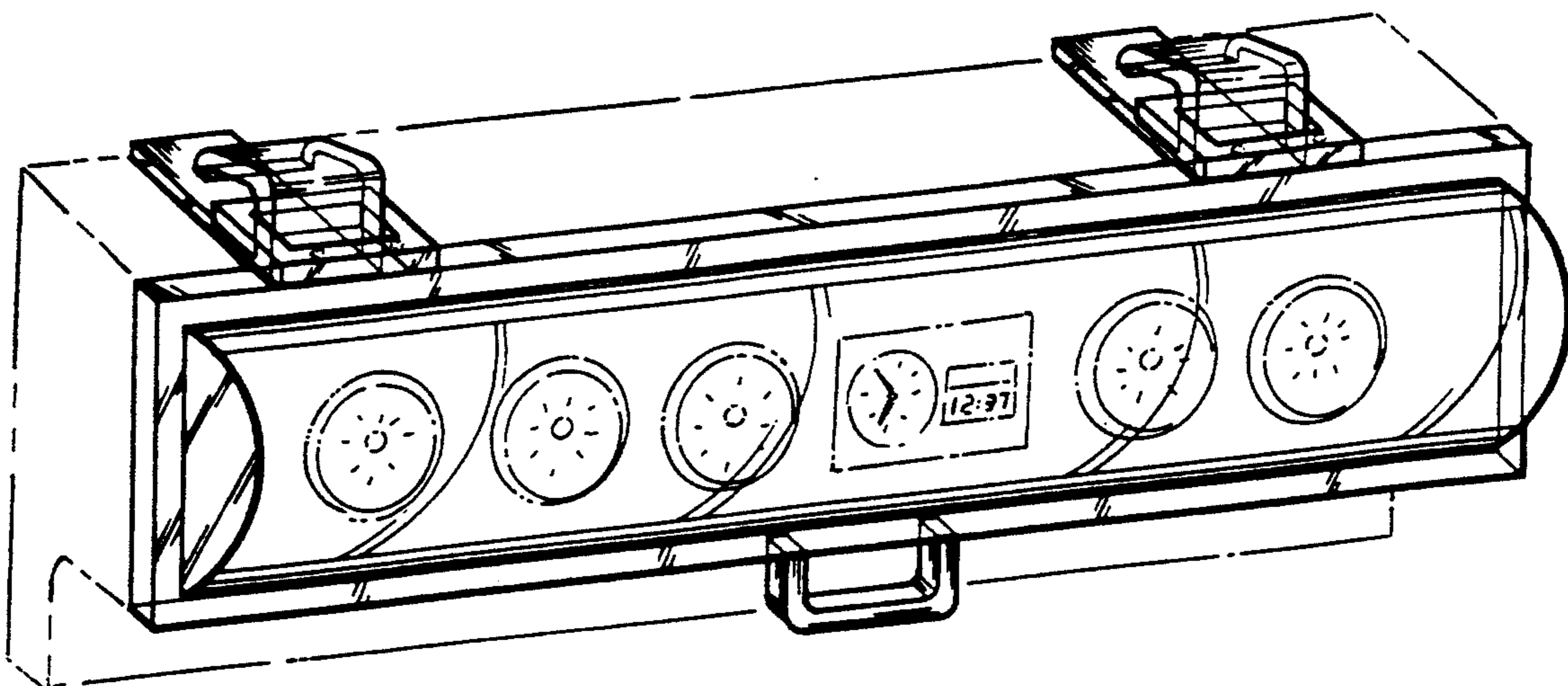


FIG. 1

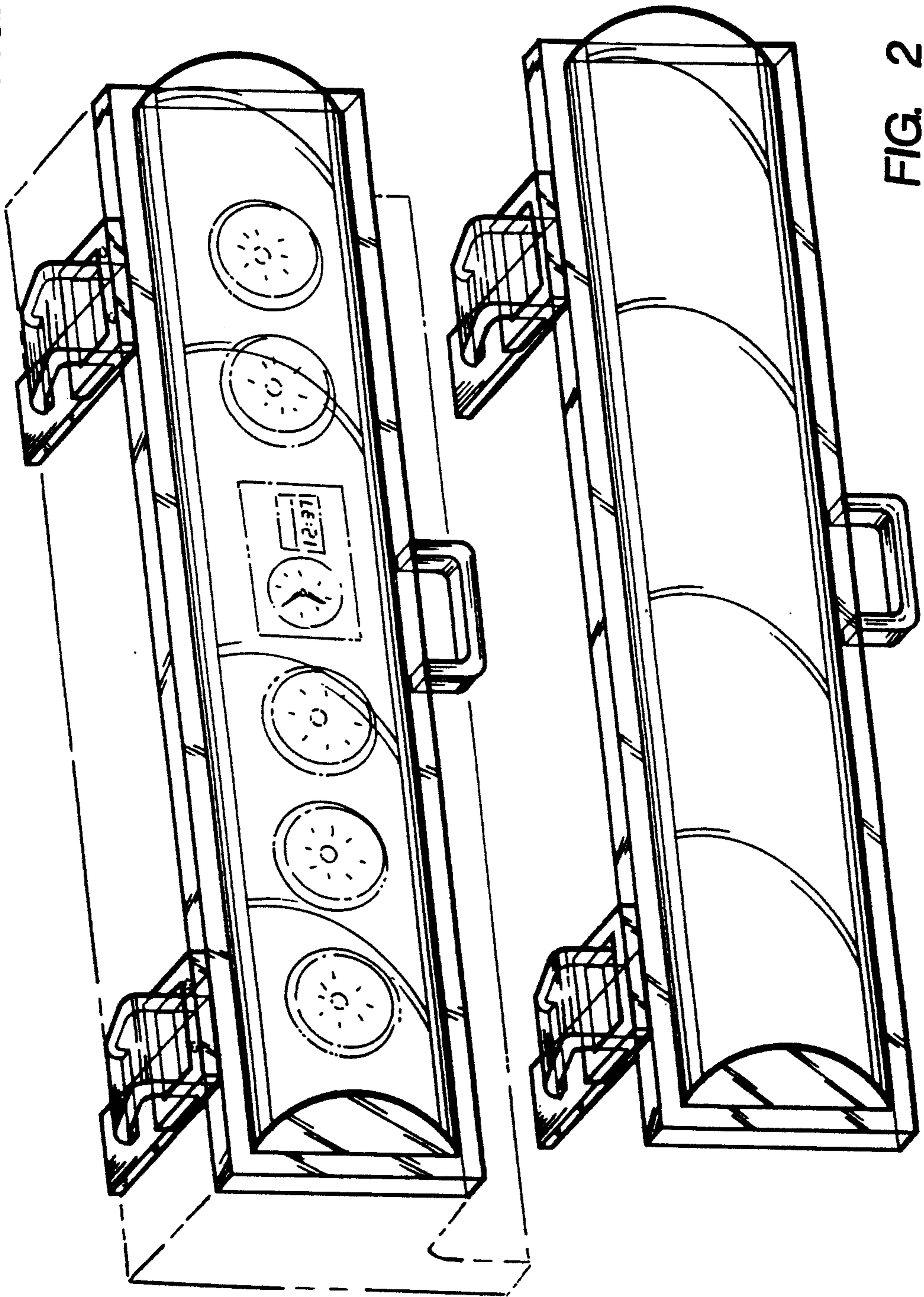
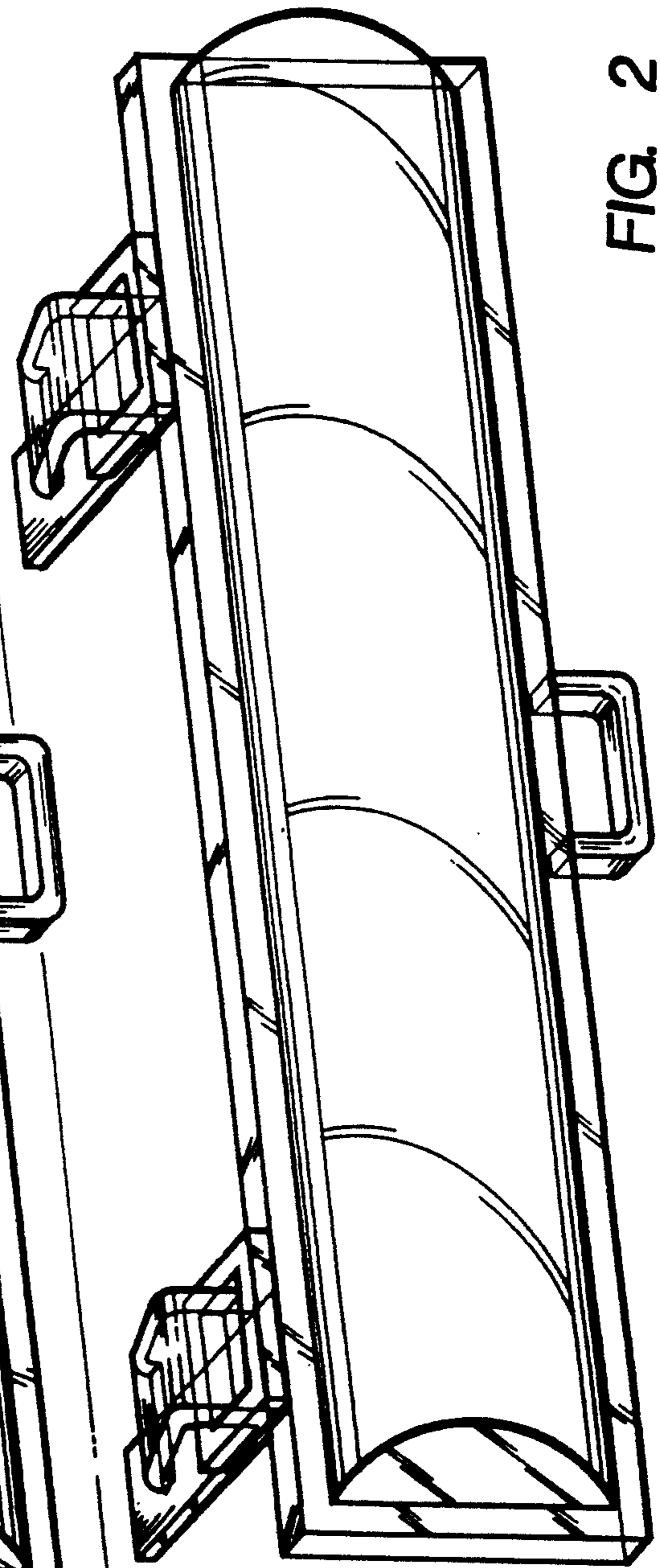


FIG. 2



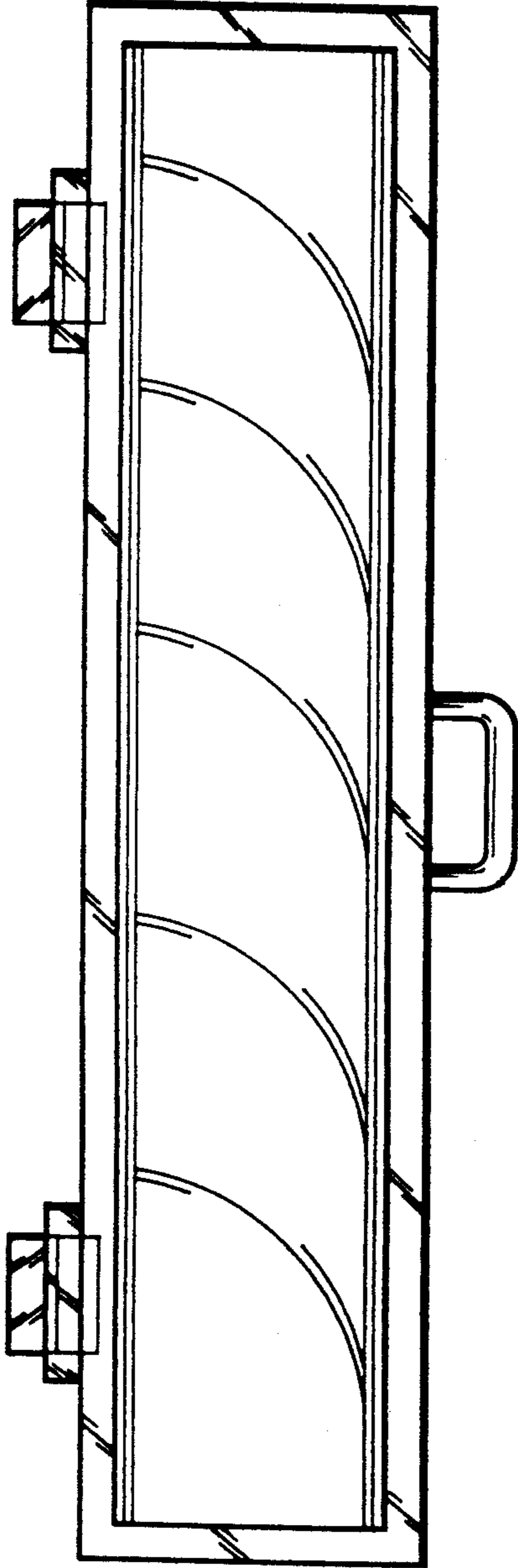


FIG. 3

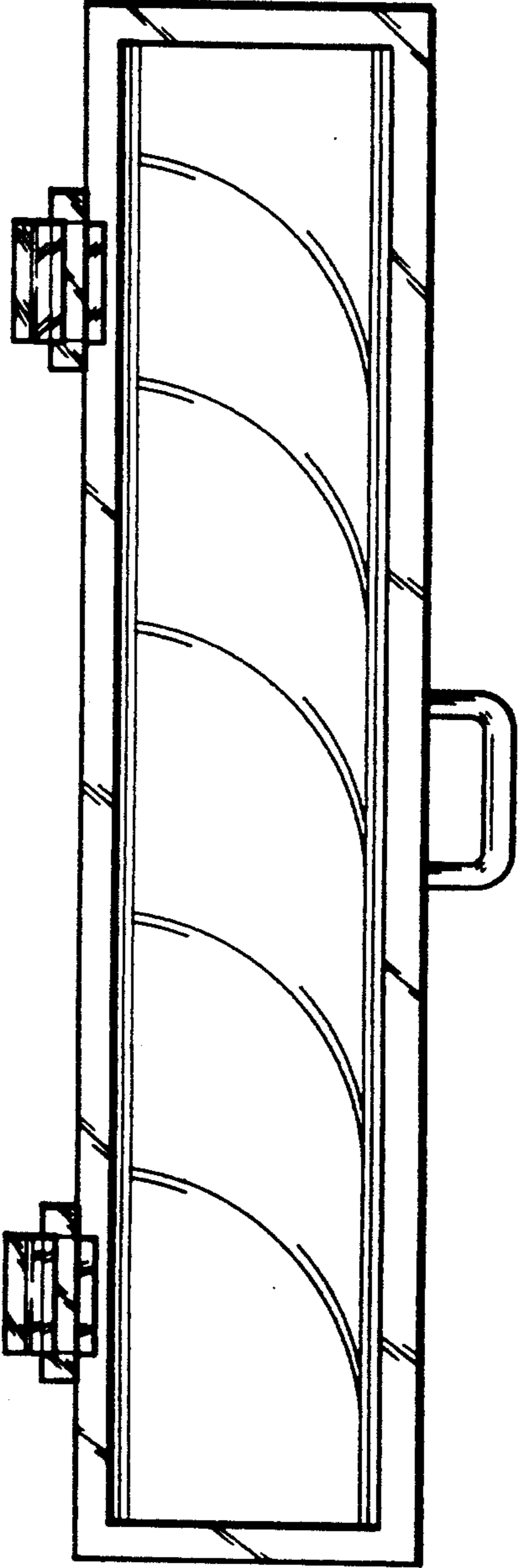


FIG. 4



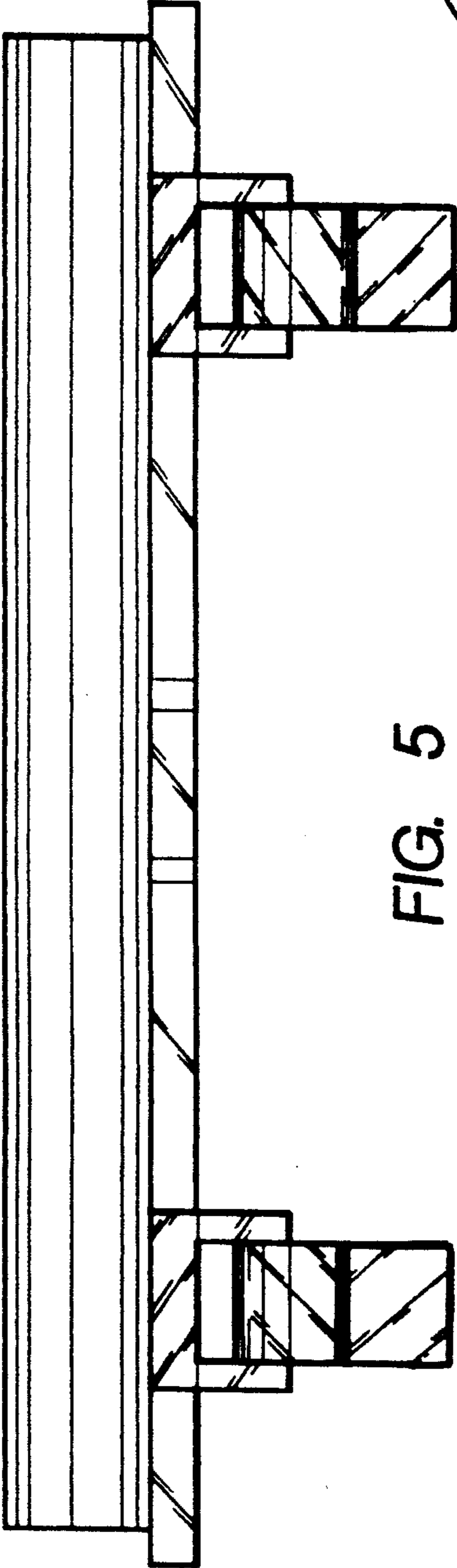


FIG. 5

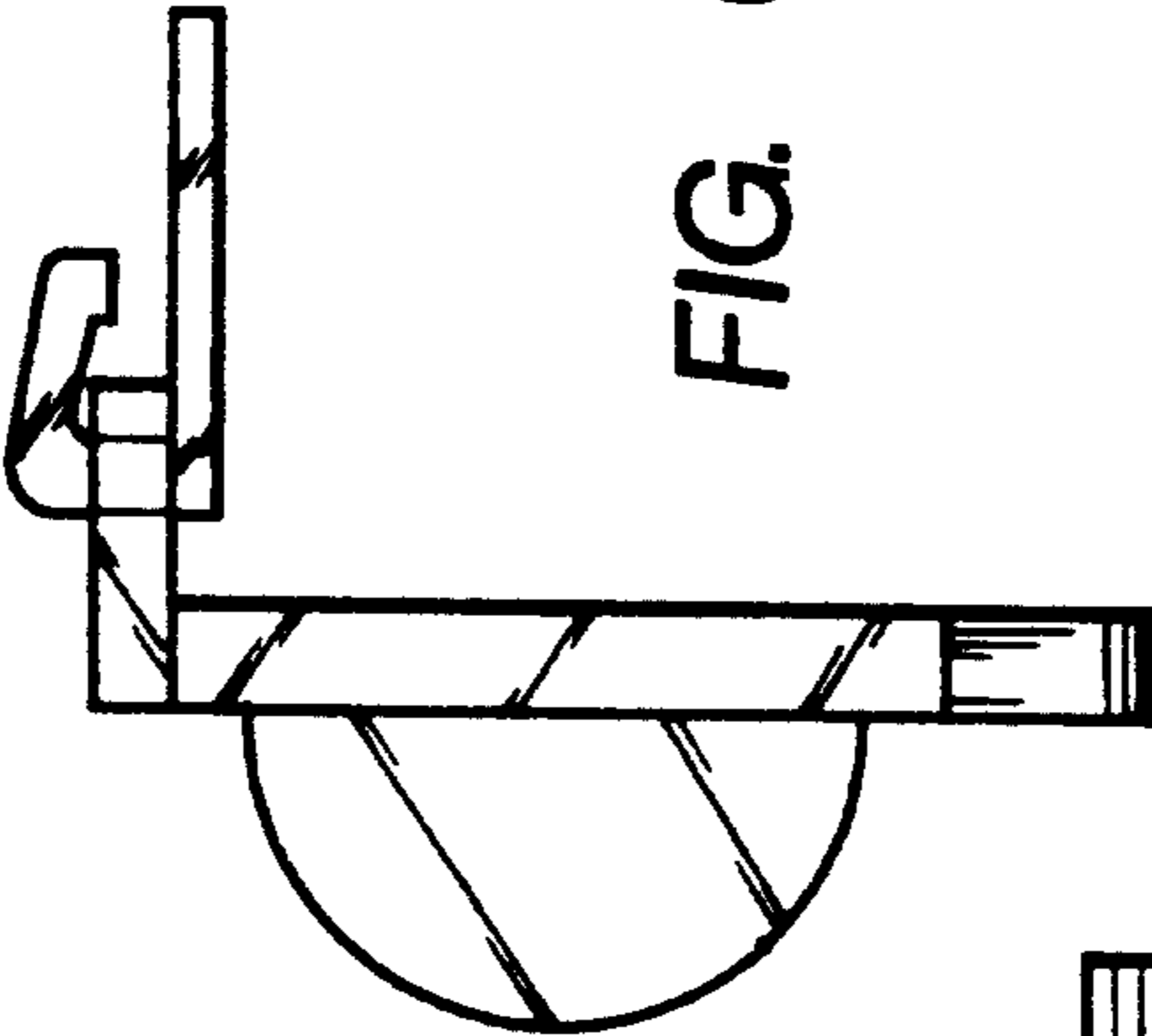


FIG. 6

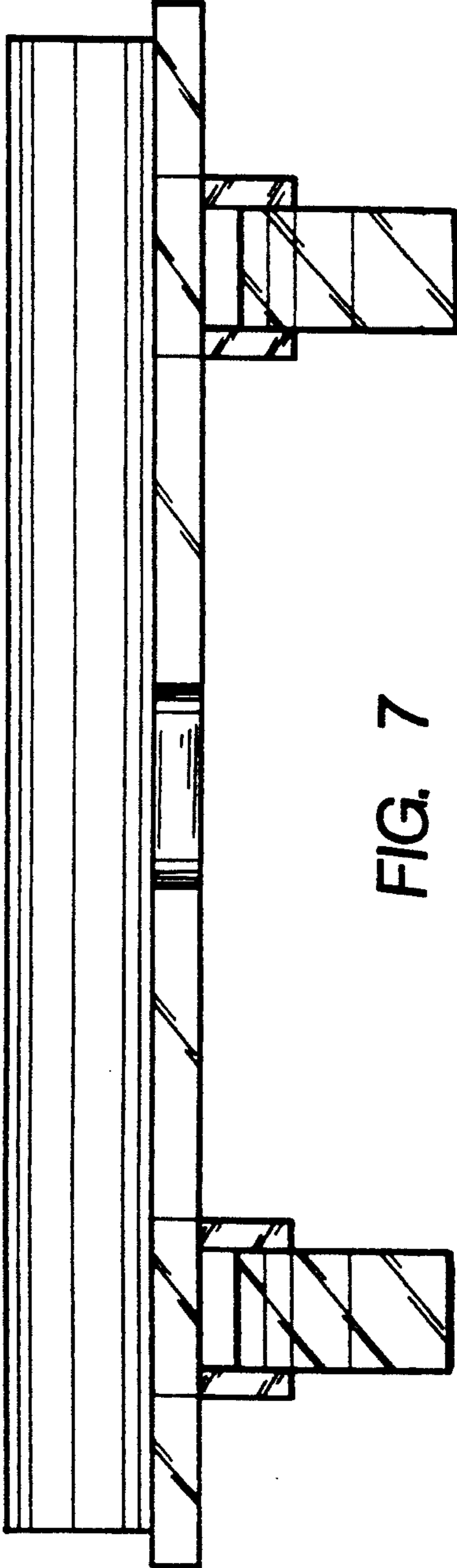


FIG. 7