



US00D347546S

United States Patent [19]

[11] Patent Number: **Des. 347,546**

Pawlowicz

[45] Date of Patent: **** Jun. 7, 1994**

[54] **TOASTER HAVING ADJUSTABLE OPENINGS**

2,863,377 12/1958 Huck D7/330 X

[76] Inventor: **Edward Pawlowicz, 7128 Southwind Dr., Hudson, Fla. 34667**

Primary Examiner—Alan P. Douglas
Assistant Examiner—Caron D. Veynar
Attorney, Agent, or Firm—Terry M. Gernstein

[**] Term: **14 Years**

[57] **CLAIM**

[21] Appl. No.: **873,050**

The ornamental design for a toaster having adjustable openings, as shown and described.

[22] Filed: **Apr. 24, 1992**

[52] U.S. Cl. **D7/330; D7/323**

[58] Field of Search **D7/323, 328-330, D7/390; 99/372, 385, 389**

DESCRIPTION

[56] **References Cited**

U.S. PATENT DOCUMENTS

D. 218,210	7/1970	Felske	D7/330
D. 296,290	6/1988	Yamanaka	D7/330
D. 328,686	8/1992	Wolfe	D7/330
D. 328,833	8/1992	Myers et al.	D7/328 X
2,764,081	9/1956	Glasser	D7/330 X
2,862,441	12/1958	Schmall	D7/330 X

FIG. 1 is a perspective view of the toaster having adjustable openings embodying the design of the present invention;

FIG. 2 is a front elevational view thereof, the rear being a mirror image of the front shown in FIG. 2;

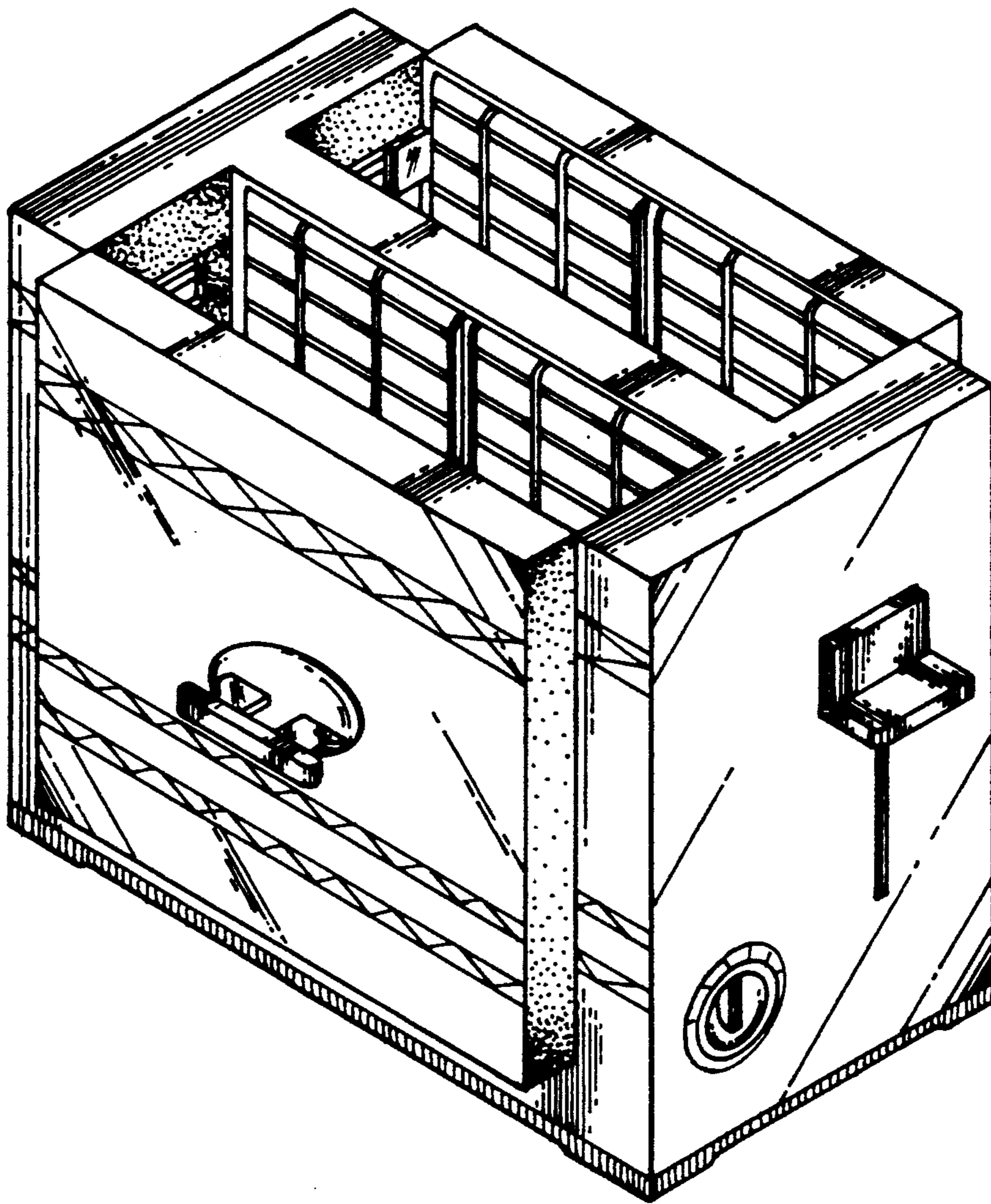
FIG. 3 is a left end elevational view thereof;

FIG. 4 is a right end elevational view thereof;

FIG. 5 is a top plan view thereof; and,

FIG. 6 is a bottom view thereof.

The electric power cord is shown in FIGS. 1, 2, 5 and 6 in cutoff fashion for simplicity of disclosure.



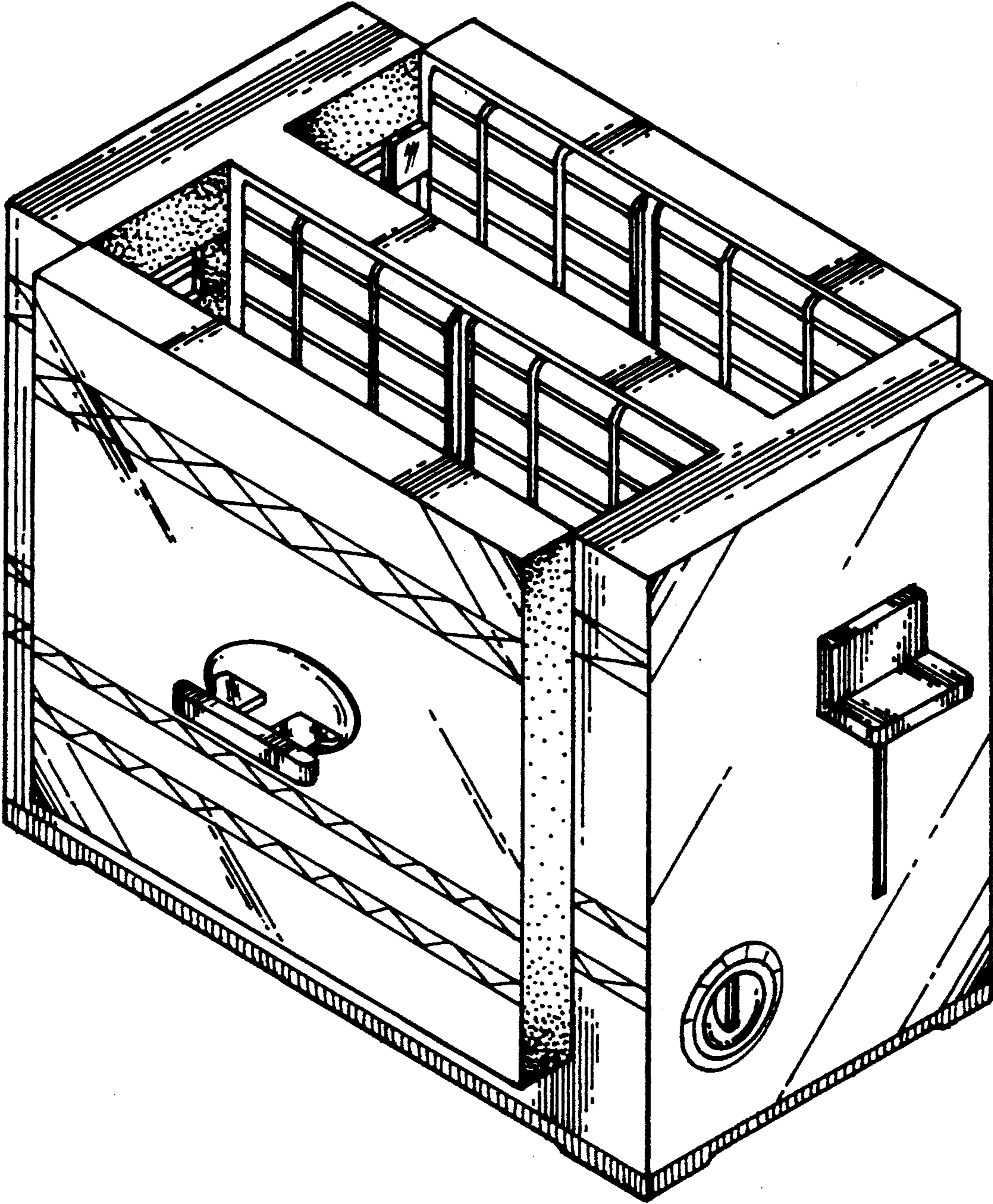


FIG. 1

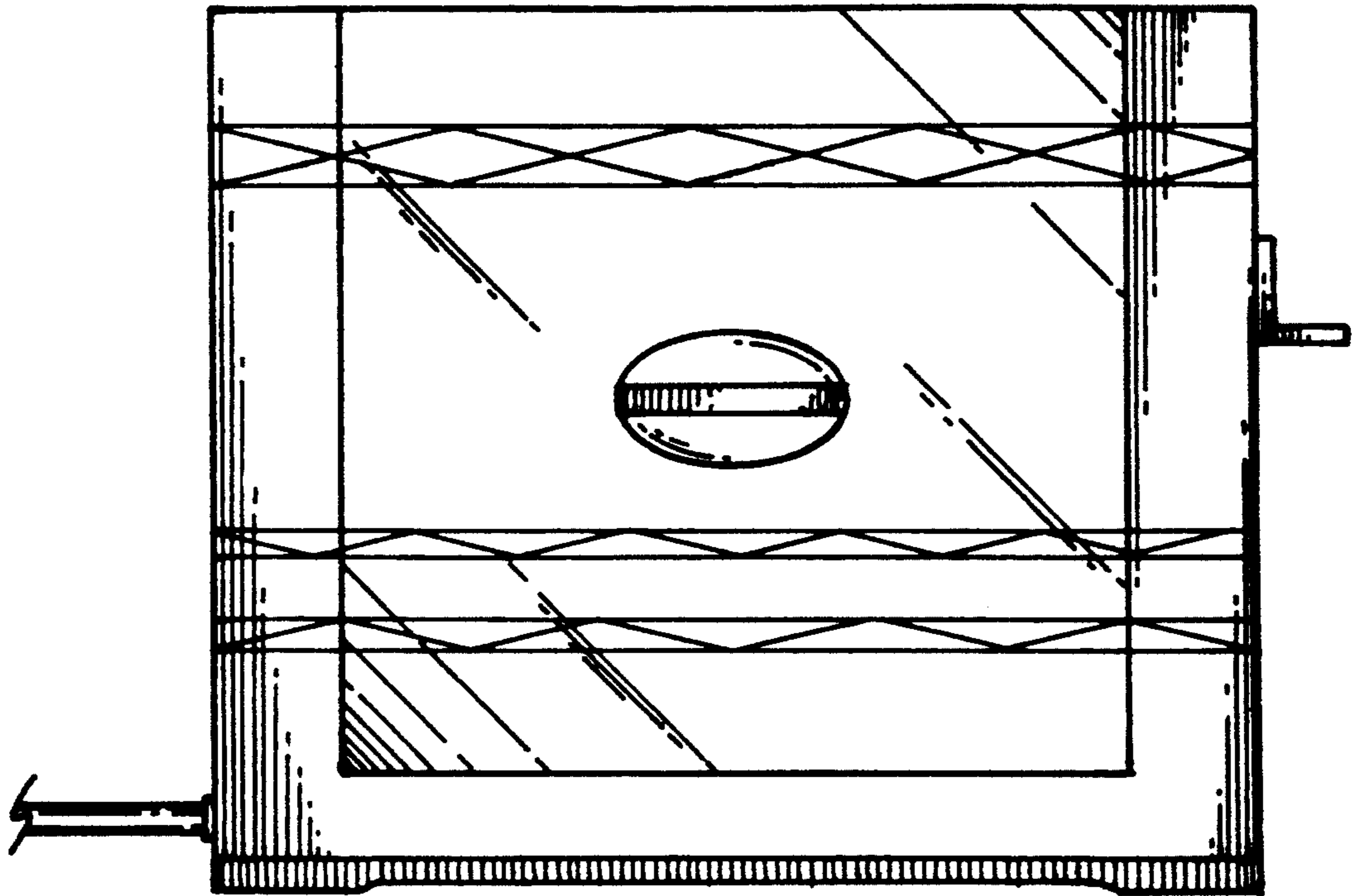


FIG. 2

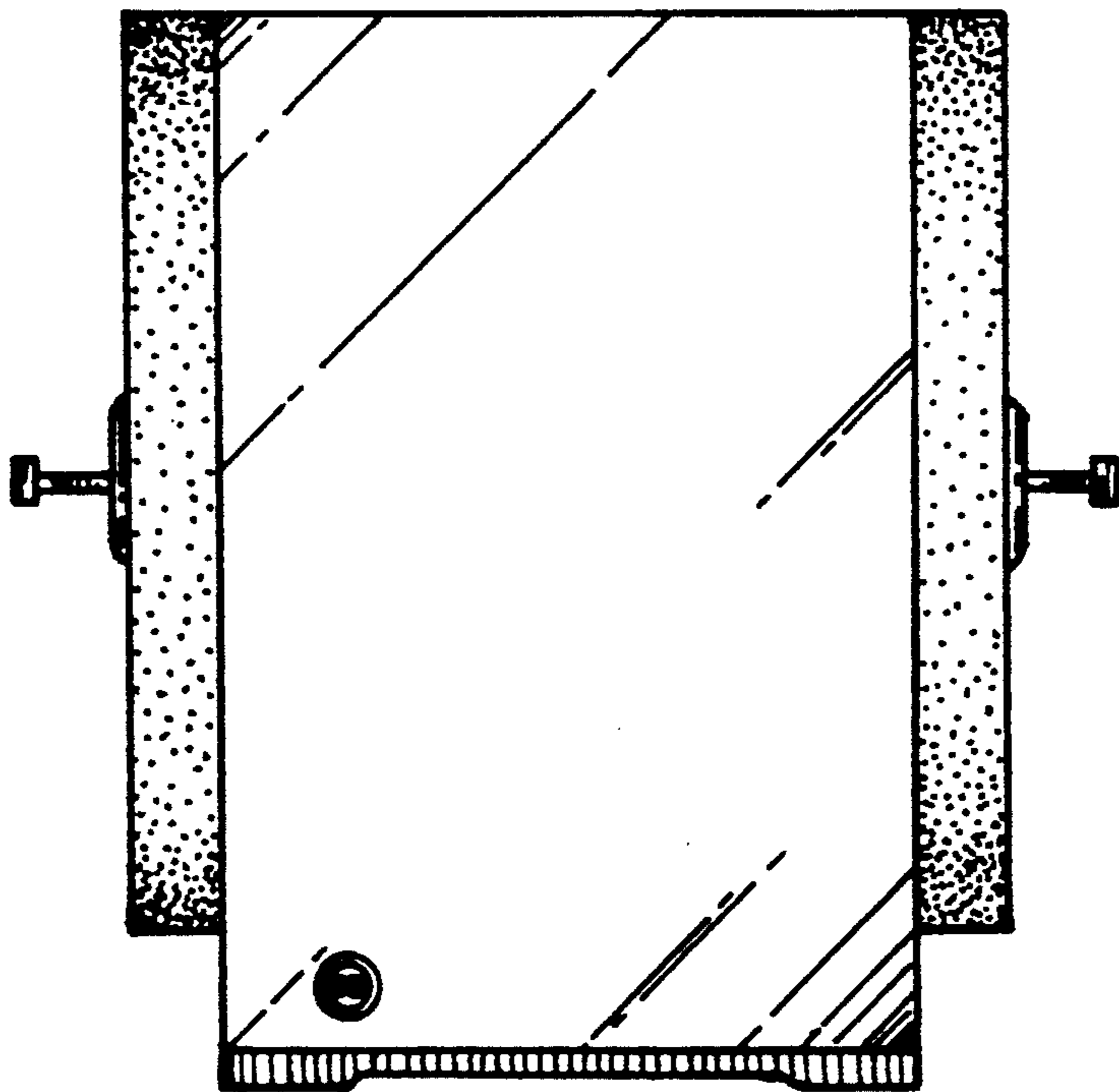


FIG. 3

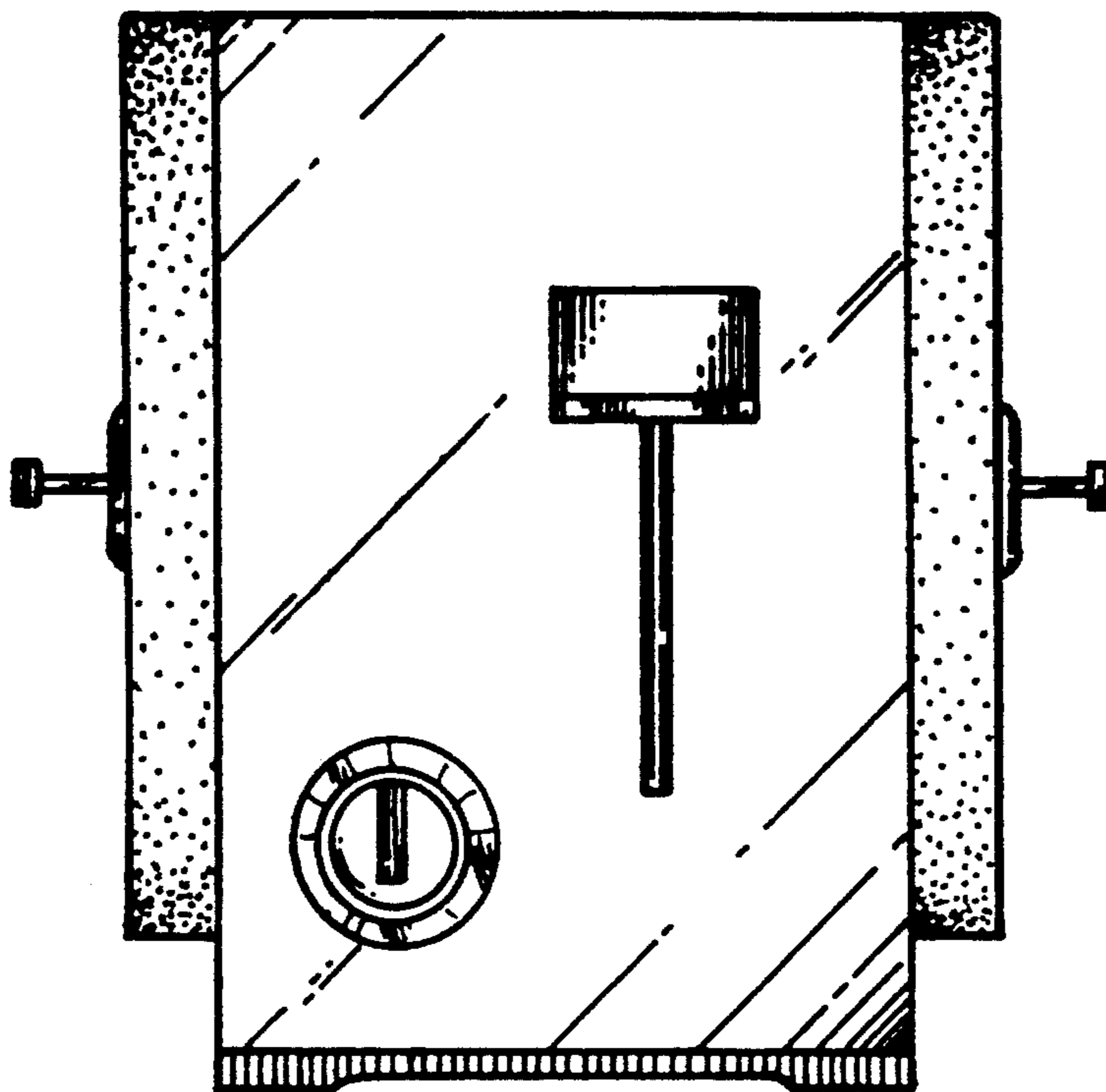


FIG. 4

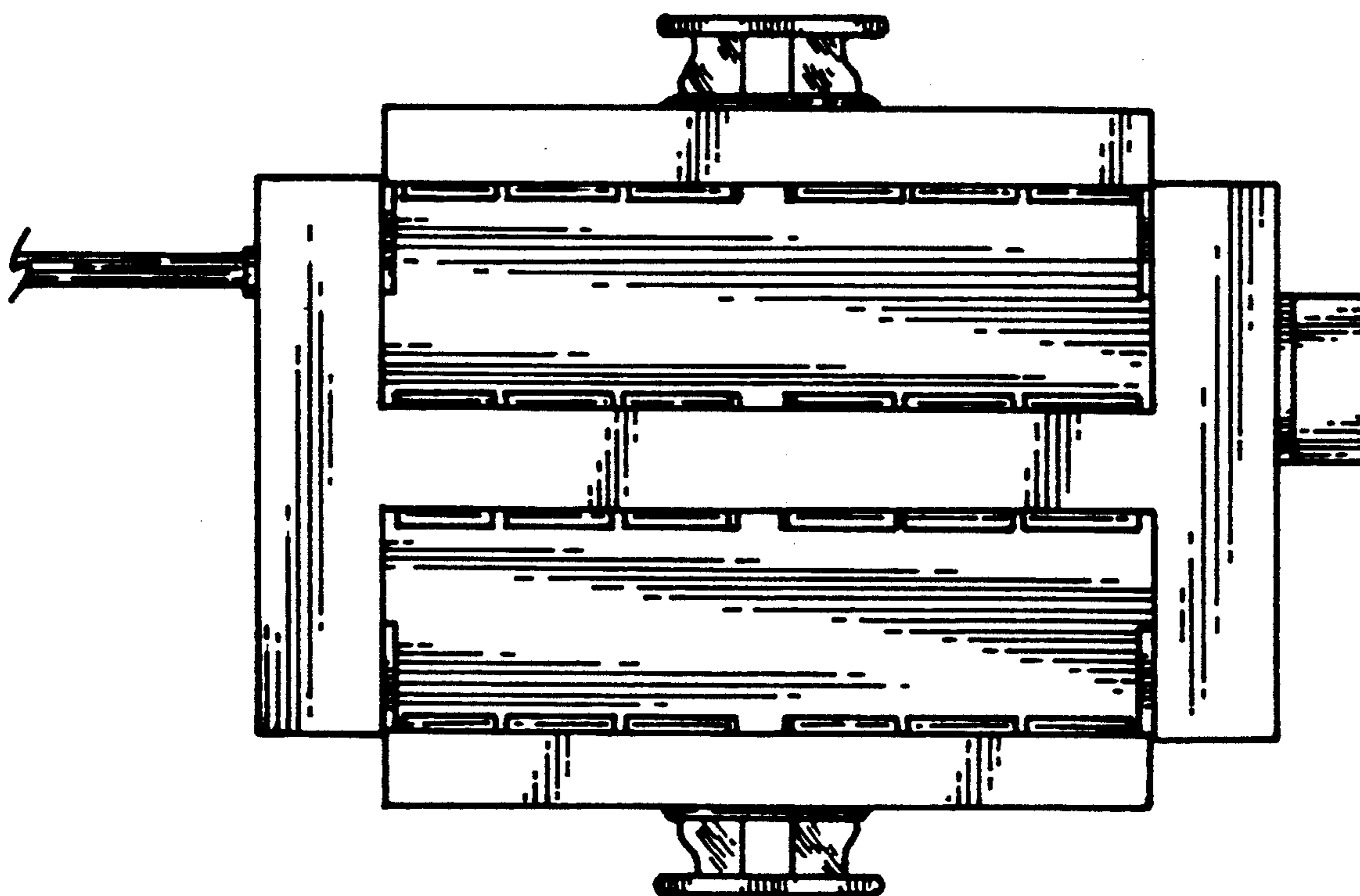


FIG. 5

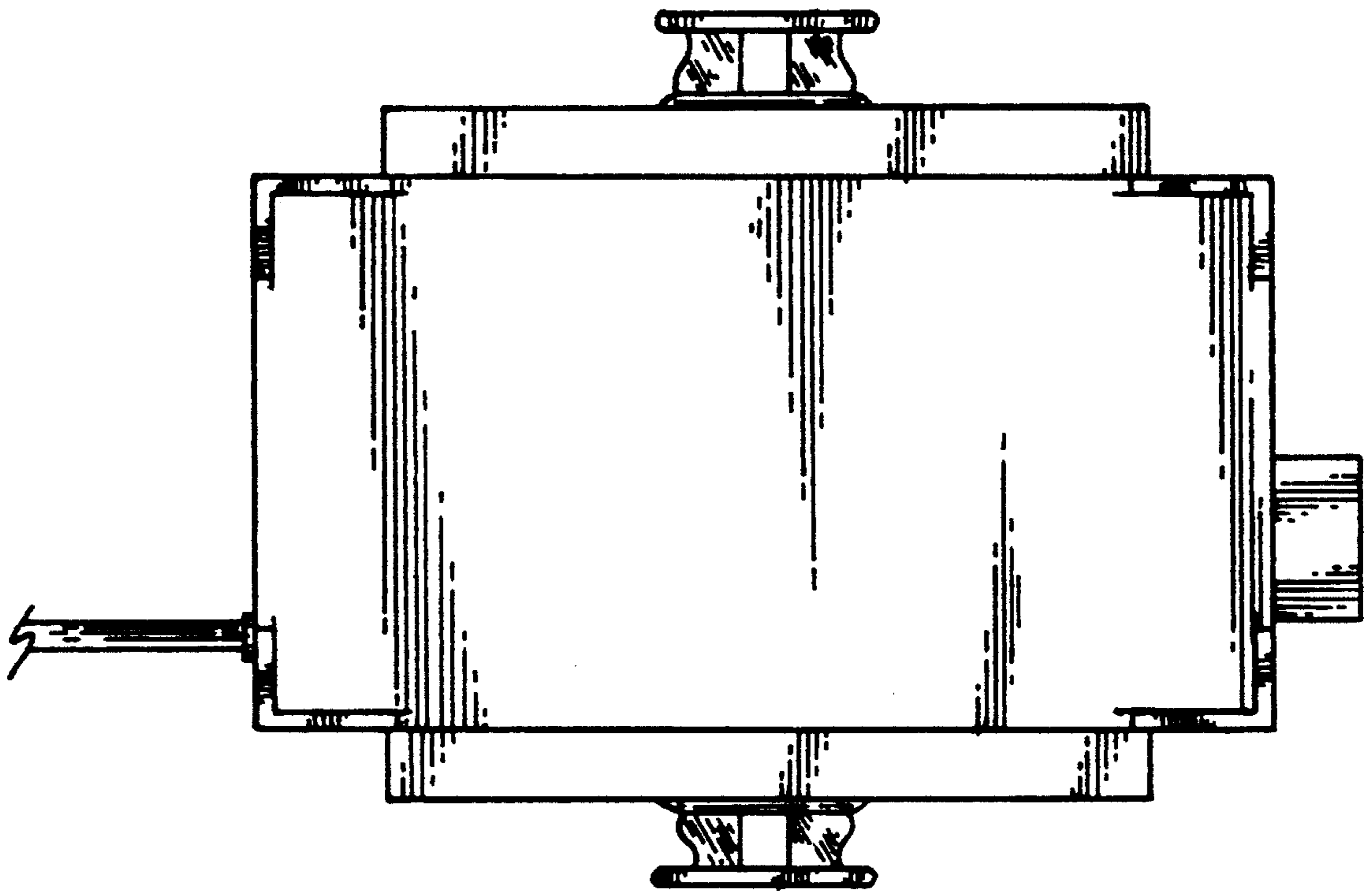


FIG. 6