



US00D347536S

United States Patent [19]

[11] Patent Number: **Des. 347,536**

Berreth

[45] Date of Patent: **** Jun. 7, 1994**

[54] **BATHROOM UTILITY CONTAINER**

D. 340,373 10/1933 Konkin D6/518
1,905,069 4/1933 Stair D6/540 X
4,934,640 6/1990 Bishon 206/77.1

[76] Inventor: **Ronald D. Berreth, 6630 Ranchview Drive NW., Calgary, Alberta, Canada, T3G 1A2**

Primary Examiner—Brian N. Vinson
Attorney, Agent, or Firm—George H. Dunsmuir

[**] Term: **14 Years**

[57] CLAIM

[21] Appl. No.: **881,198**

The ornamental design for a bathroom utility container, as shown and described.

[22] Filed: **May 11, 1992**

[52] U.S. Cl. **D6/524**

DESCRIPTION

[58] Field of Search **D6/524-525, D6/536, 540, 552-553, 559, 567; 206/77.1, 207, 38, 6.1, 387, 37, 823, 829**

FIG. 1 is a top, front, and right side perspective view of a bathroom utility container showing my new design; FIG. 2 is a top, rear, and left side perspective view thereof;

[56] References Cited

U.S. PATENT DOCUMENTS

D. 157,947 4/1950 Egerman D6/534
D. 201,788 8/1965 Robertson D6/527
D. 207,095 3/1967 Smith D6/526
D. 221,543 8/1971 Lassen D6/534

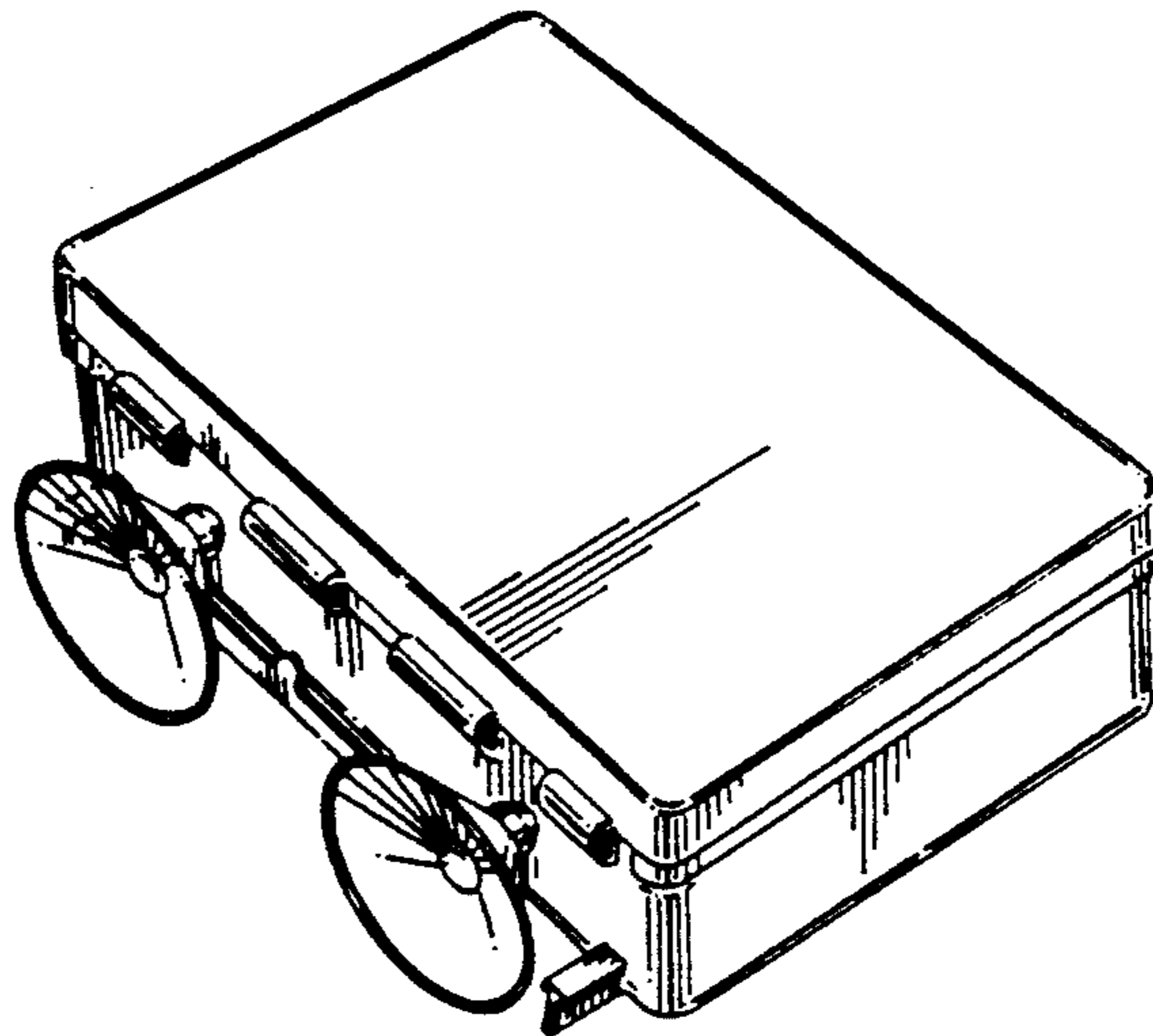
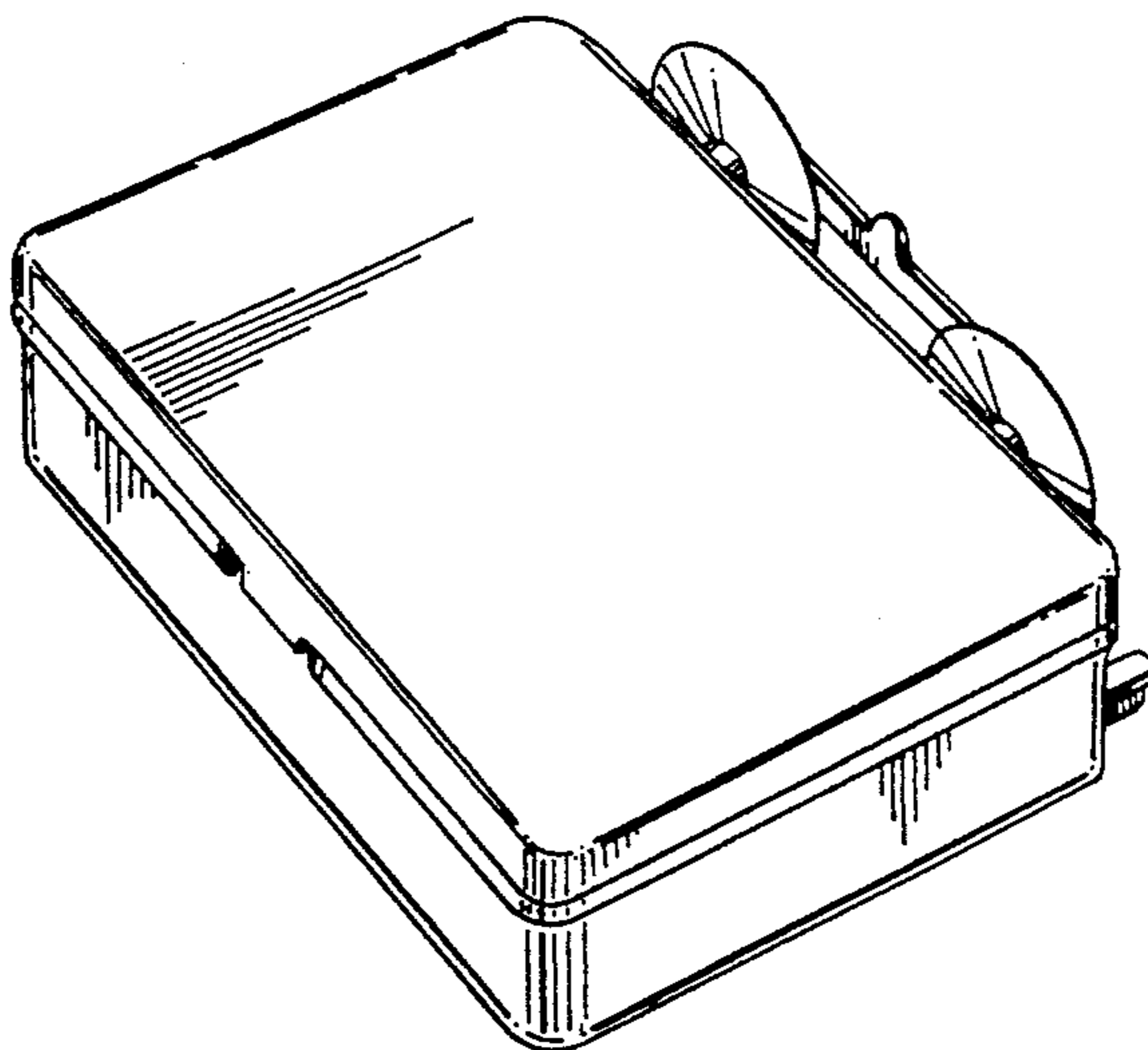
FIG. 3 is a top plan view thereof;

FIG. 4 is a bottom plan view thereof;

FIG. 5 is a front elevational view thereof;

FIG. 6 is a rear elevational view thereof; and,

FIG. 7 is a left side elevational view thereof, the right side being a mirror image of that shown.



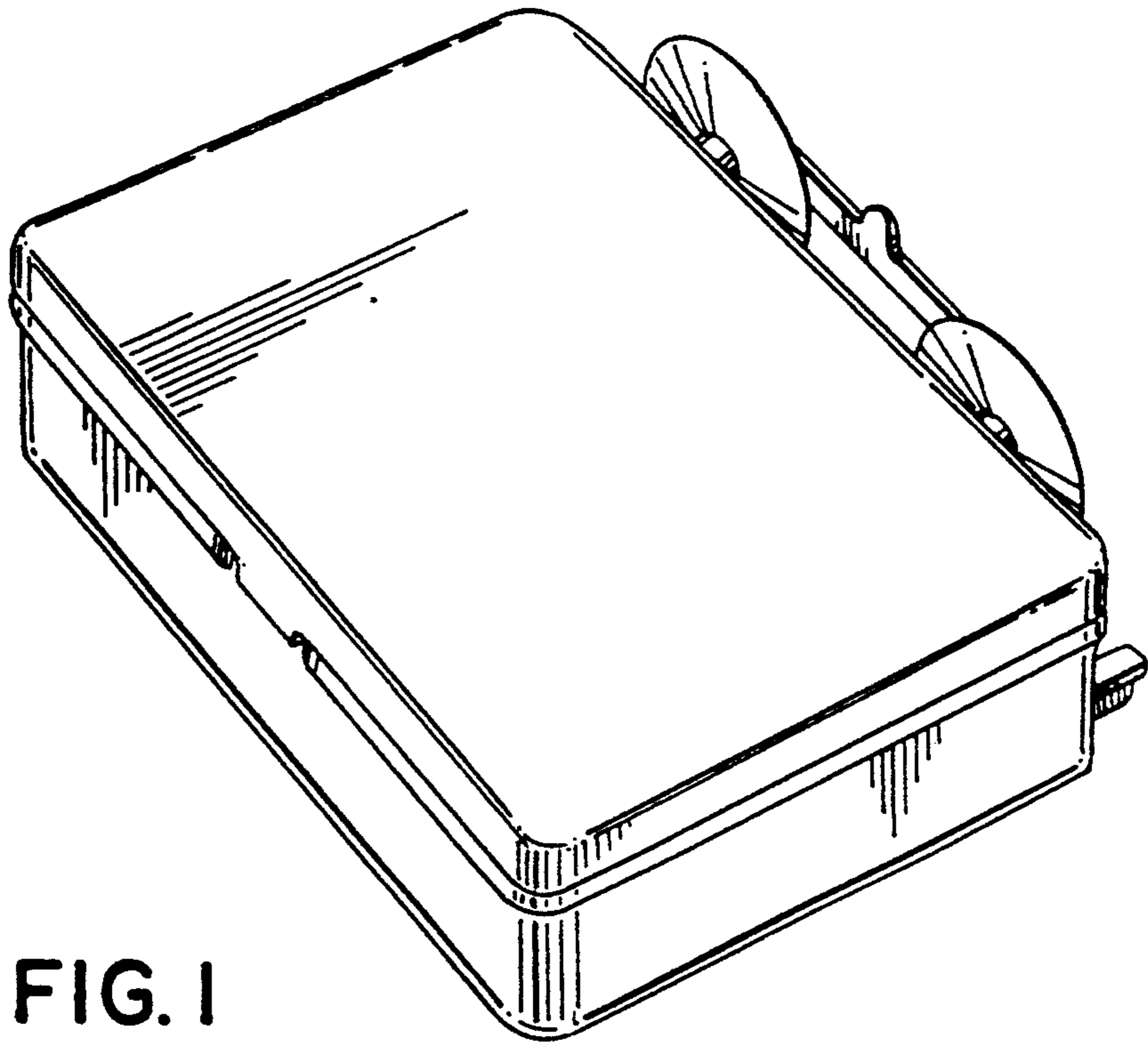


FIG. 1

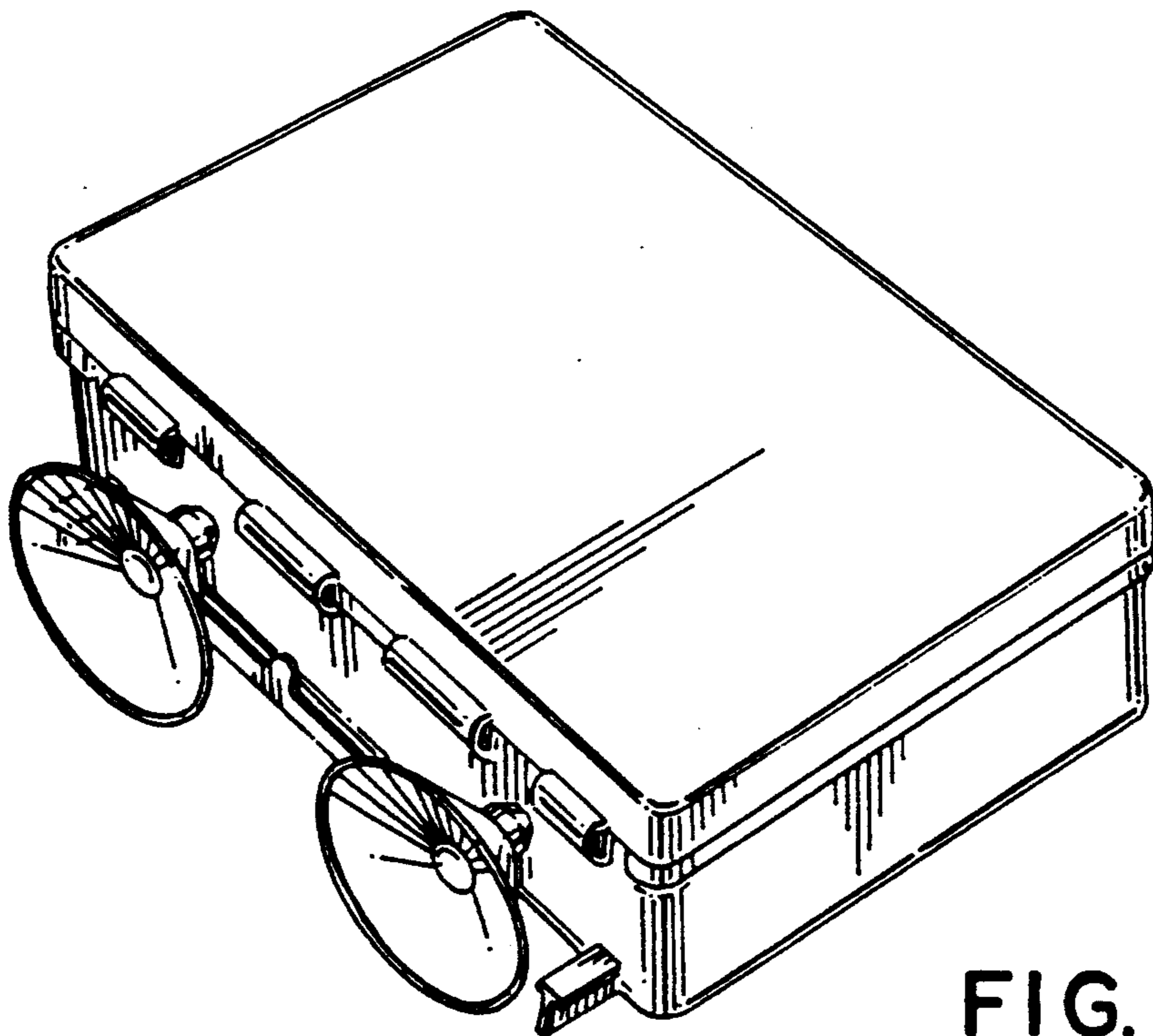


FIG. 2

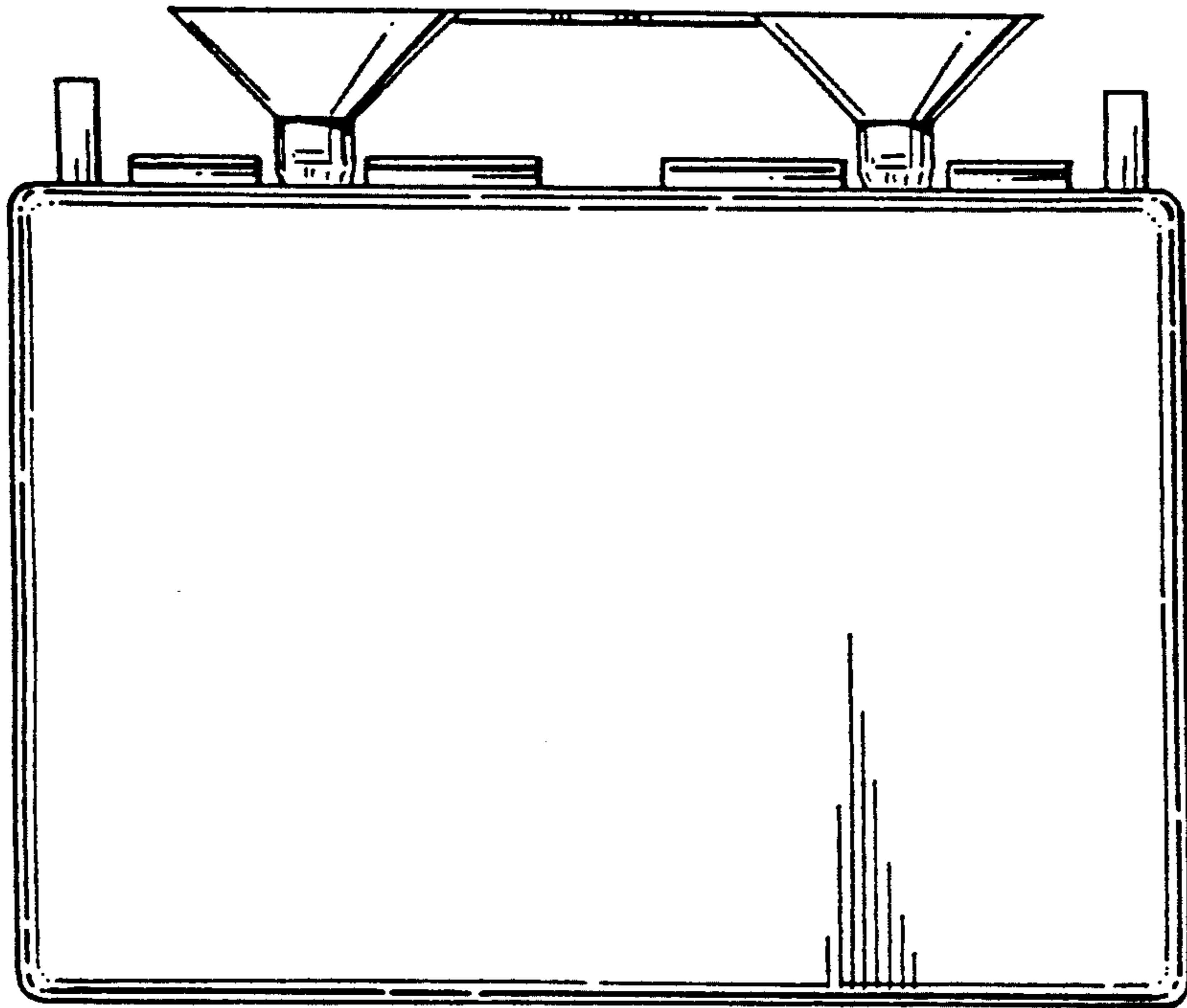


FIG. 3

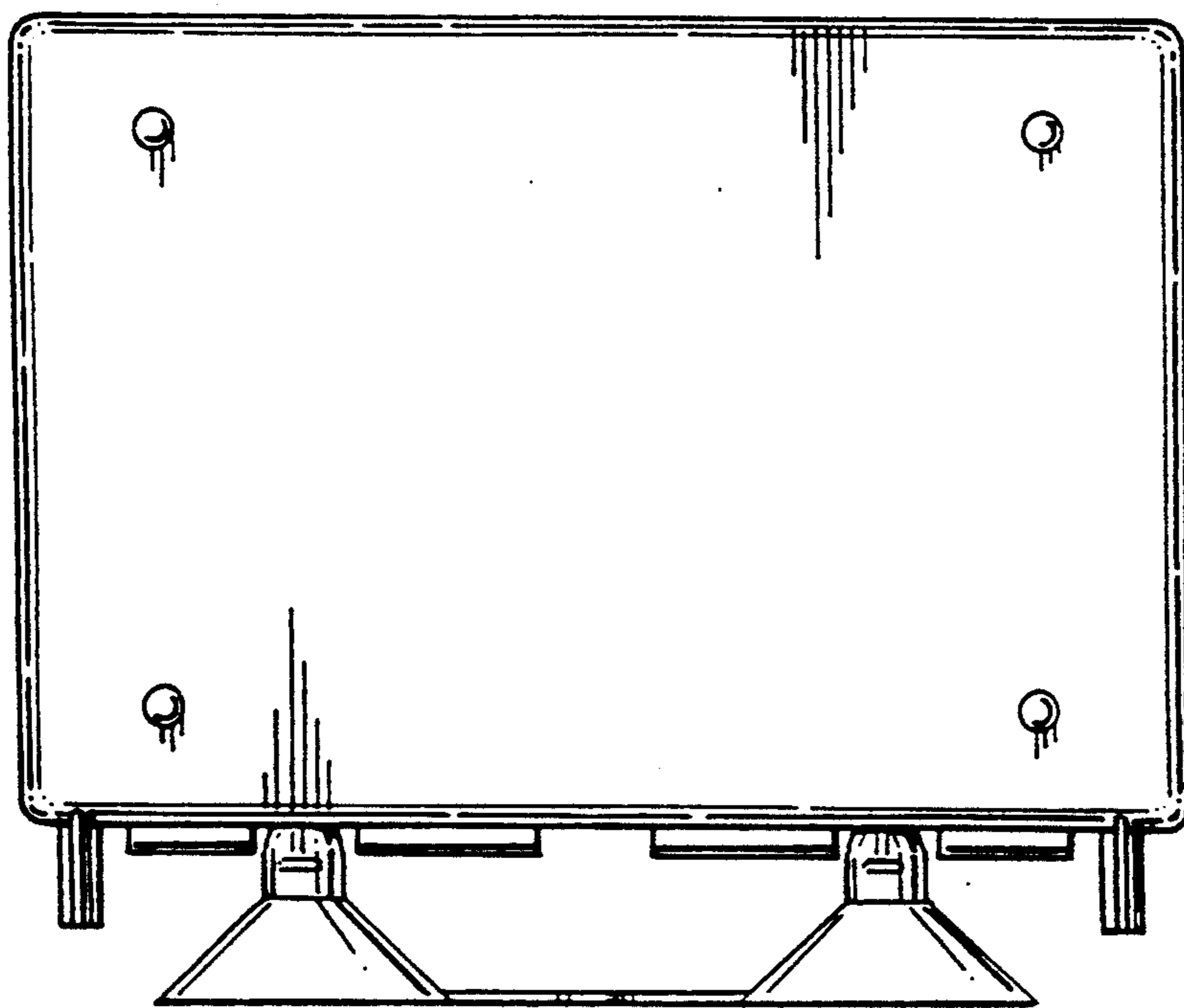


FIG. 4

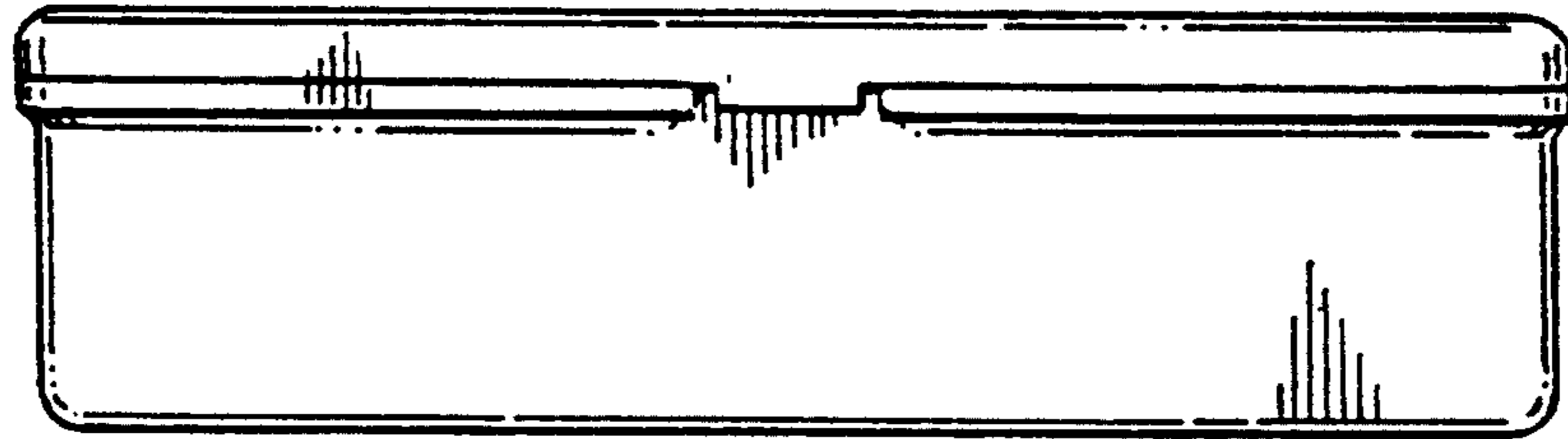


FIG. 5

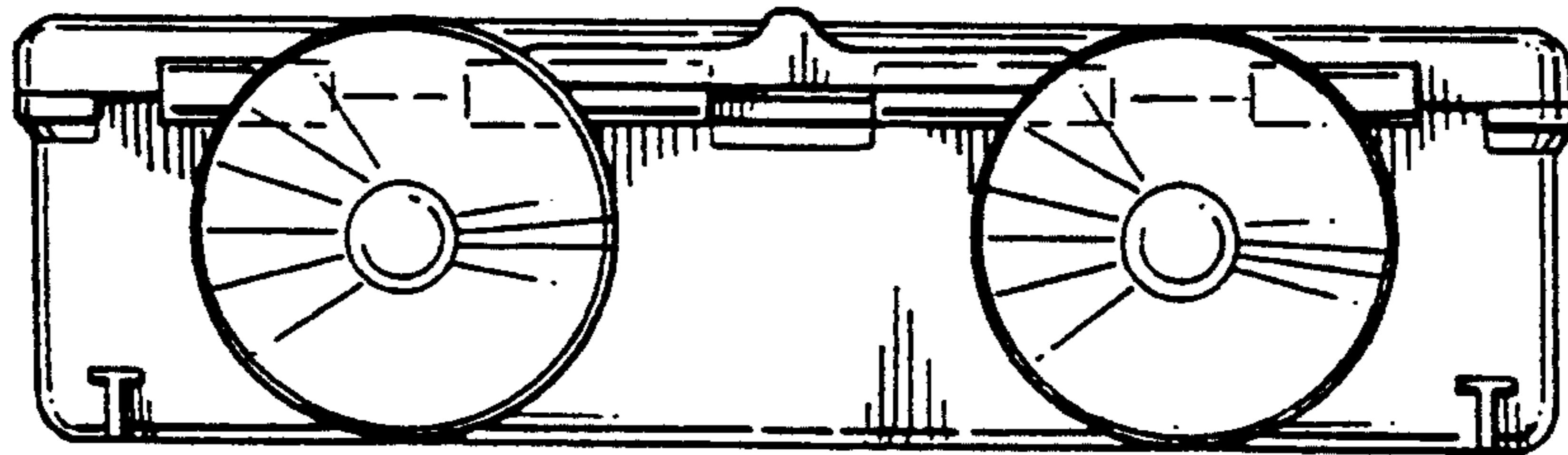


FIG. 6

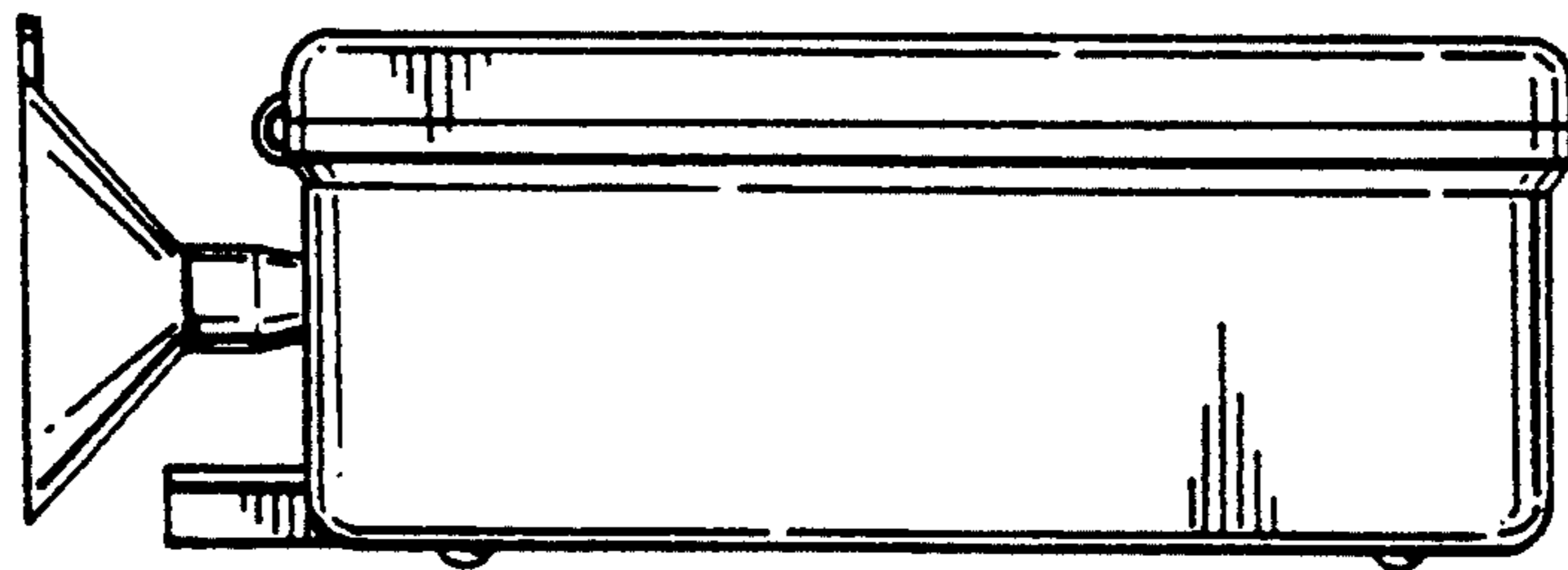


FIG. 7