



US00D347534S

United States Patent [19]

[11] Patent Number: **Des. 347,534**

Gottselig

[45] Date of Patent: **** Jun. 7, 1994**

[54] **SPRING-LOADED WET HYGIENIC TOWEL DISPENSER**

[76] Inventor: **John C. Gottselig, 405 S. Jackson St., Wilmington, Del. 19805**

[**] Term: **14 Years**

[21] Appl. No.: **893,343**

[22] Filed: **Jun. 3, 1992**

[52] U.S. Cl. **D6/522**

[58] Field of Search **D6/518, 522-523, D6/520; 242/55.2, 55.3, 55.42, 55.53; 312/34.1, 34.8**

3,843,034	10/1974	Lewandowsky .	
3,881,210	5/1975	Drach et al. .	
3,973,695	8/1976	Ames	221/63
4,106,617	8/1978	Boone	206/233
4,180,160	12/1979	Ogawa et al.	206/210
4,181,218	1/1980	Cox	206/205
4,487,378	12/1984	Kobayashi .	
4,790,490	12/1988	Chakravorty	242/55.53
4,804,149	2/1989	Murphy	242/55.3
4,978,095	12/1990	Phillips	248/312

Primary Examiner—Brian N. Vinson
Attorney, Agent, or Firm—Synnestvedt & Lechner

[57] CLAIM

The ornamental design for a spring-loaded wet hygienic towel dispenser, as shown.

DESCRIPTION

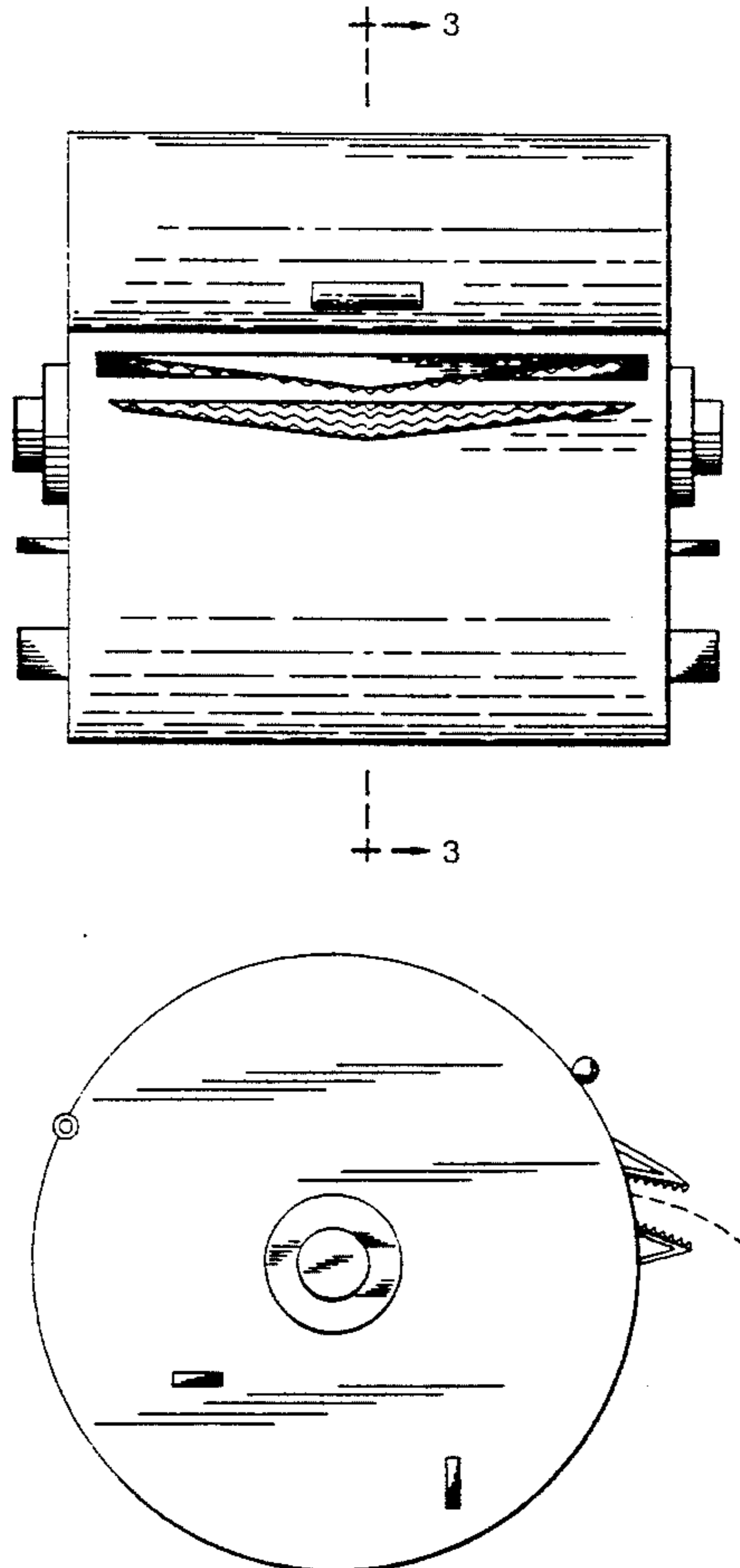
FIG. 1 is a front elevational view of a spring-loaded wet hygienic towel dispenser showing my new design; FIG. 2 is a left side elevational view thereof, the right side being a mirror image of that shown; and, FIG. 3 is a vertical, cross-sectional view thereof, taken along line 3—3 of FIG. 1.

The broken-line disclosure of a towel roll in the views is for illustrative purposes only and forms no part of the claimed design.

[56] References Cited

U.S. PATENT DOCUMENTS

D. 156,498	12/1949	Fomusa et al.	D6/523
D. 161,054	11/1950	Rutka	D6/520
D. 208,017	7/1967	Minzer	D6/523
D. 272,970	3/1984	Hasegawa et al.	D6/518
D. 308,445	6/1990	Loughridge	D6/518
D. 335,412	5/1993	Howard et al.	D6/522
1,897,869	2/1933	Graham	242/55.53
3,756,483	9/1973	Schraeder .	
3,776,773	12/1973	Taft .	
3,819,043	6/1974	Harrison	206/449
3,837,595	9/1974	Boone .	



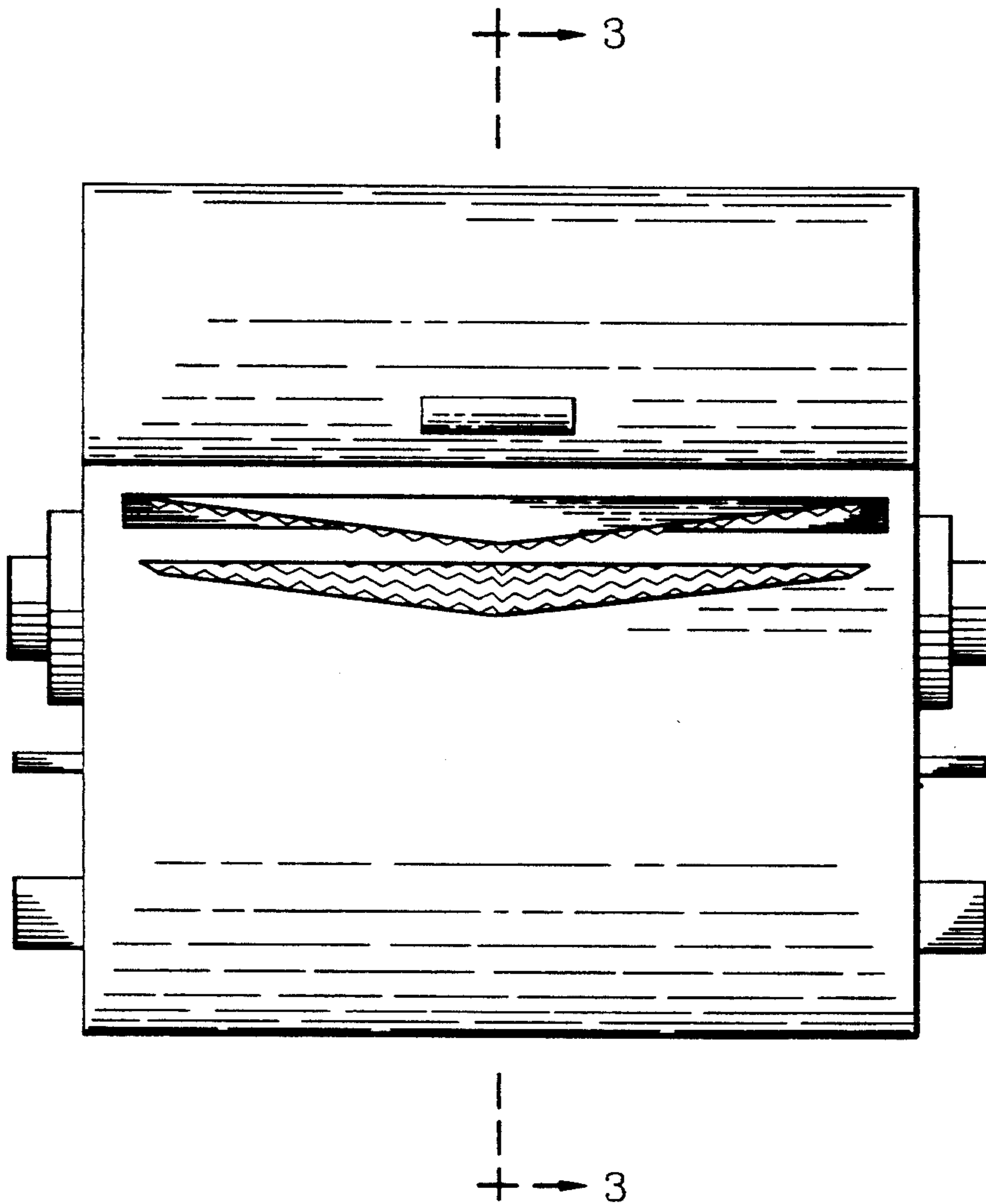


FIG. 1

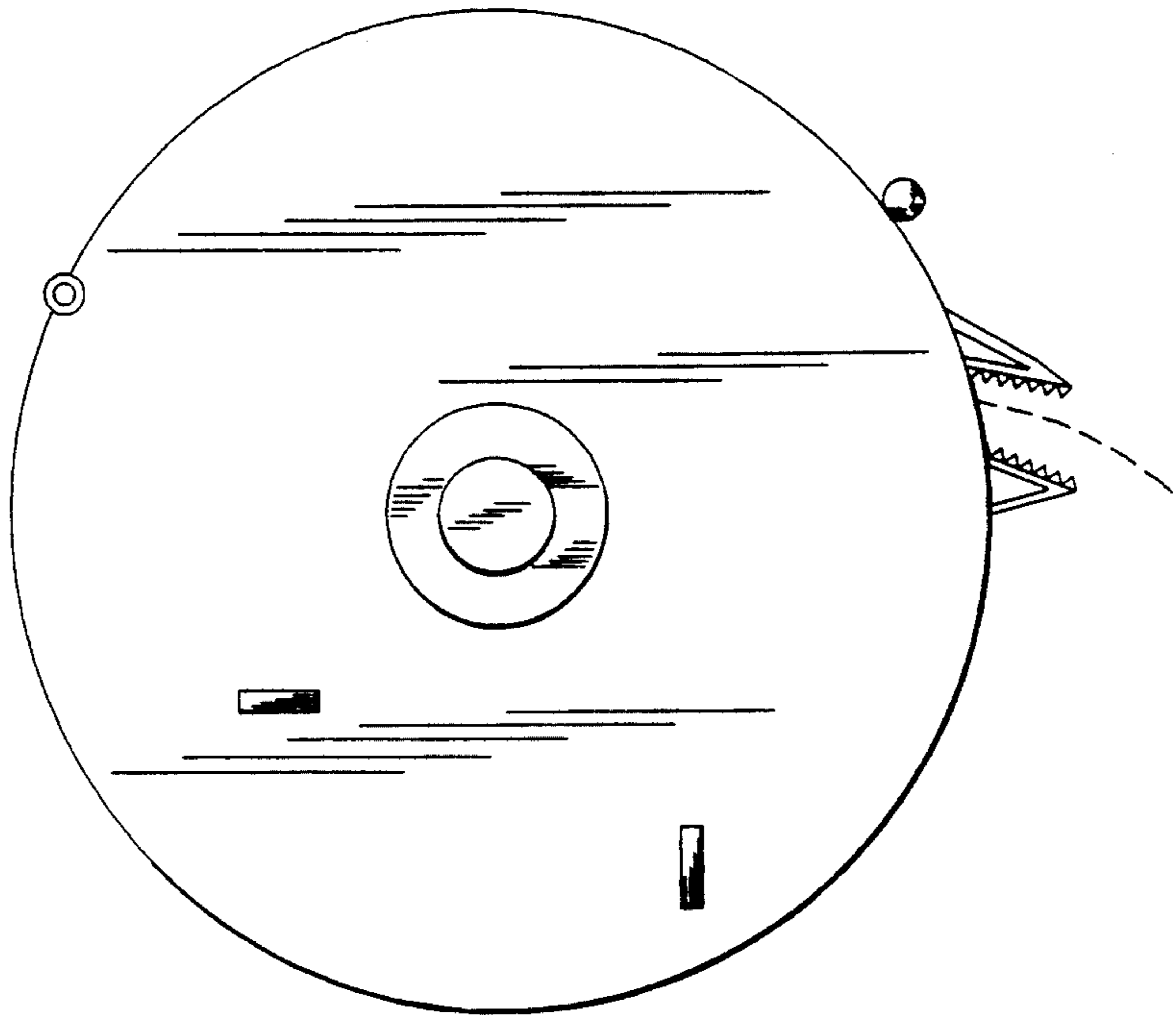


FIG. 2

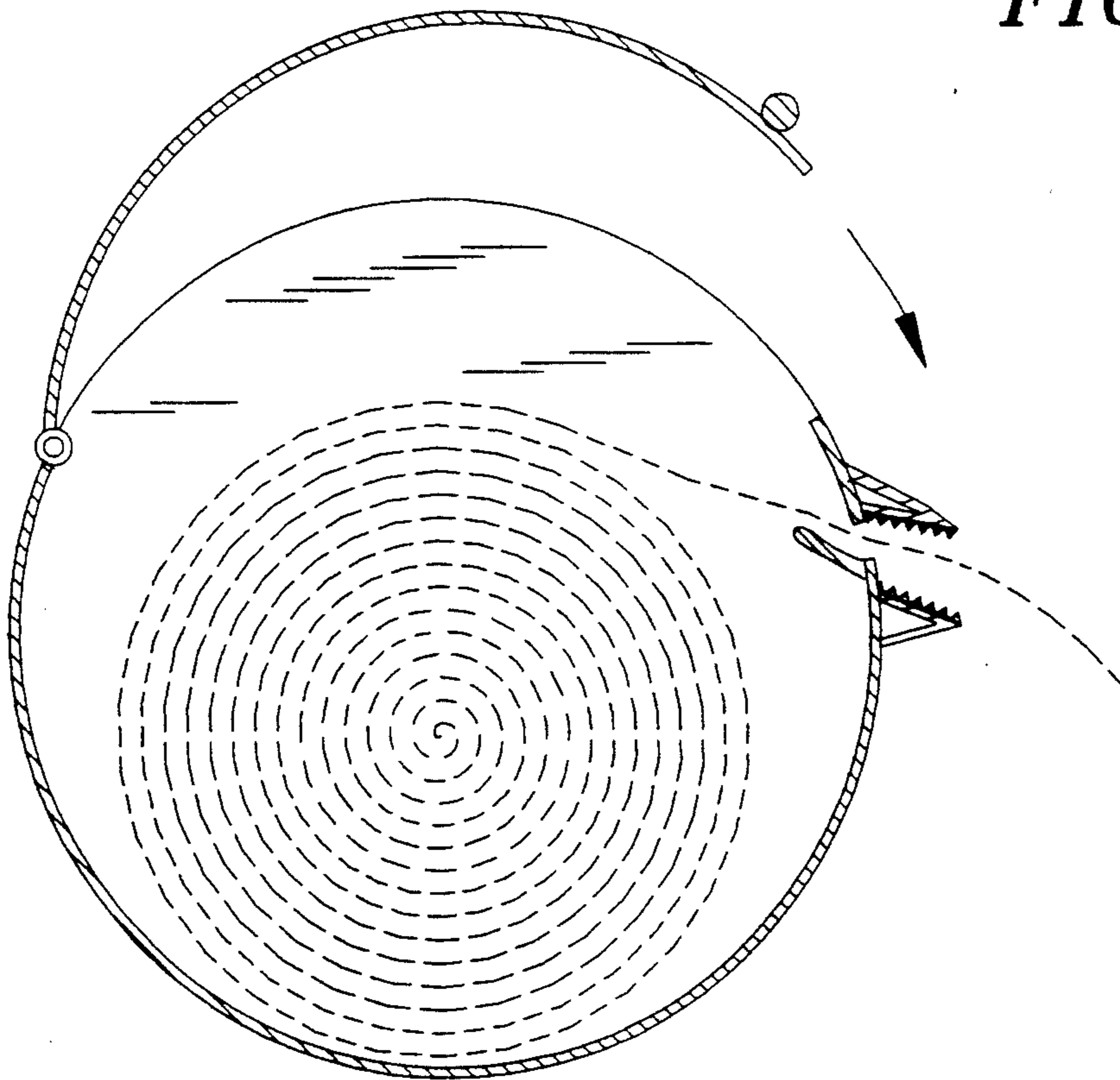


FIG. 3