



US00D347528S

United States Patent [19] Lee

[11] Patent Number: **Des. 347,528**
[45] Date of Patent: **** Jun. 7, 1994**

[54] **BABY STOOL WITH COVER**

2,036,813 4/1936 Kraeft D21/78 X

[75] Inventor: **Chi-An Lee, Tainan, Taiwan**

Primary Examiner—Nelson C. Holtje

[73] Assignee: **Zing Way Enterprise Co., Ltd.,
Tainan, Taiwan**

Assistant Examiner—J. E. Seeger

Attorney, Agent, or Firm—Morton J. Rosenberg; David
I. Klein

[**] Term: **14 Years**

[57] CLAIM

[21] Appl. No.: **4,969**

The ornamental design for a baby stool with cover, as
shown and described.

[22] Filed: **Feb. 17, 1993**

[52] U.S. Cl. **D6/351; D6/358;
D21/76**

DESCRIPTION

[58] Field of Search **D6/331, 359, 333;
297/181, 461, 462; D21/71, 73, 76, 78, 136**

FIG. 1 is a perspective view of a baby stool with cover
showing my new design;

FIG. 2 is a front elevational view thereof;

FIG. 3 is a rear elevational view thereof;

FIG. 4 is a left side elevational view thereof;

FIG. 5 is a right side elevational view thereof;

FIG. 6 is a top plan view thereof;

FIG. 7 is a bottom plan view thereof; and,

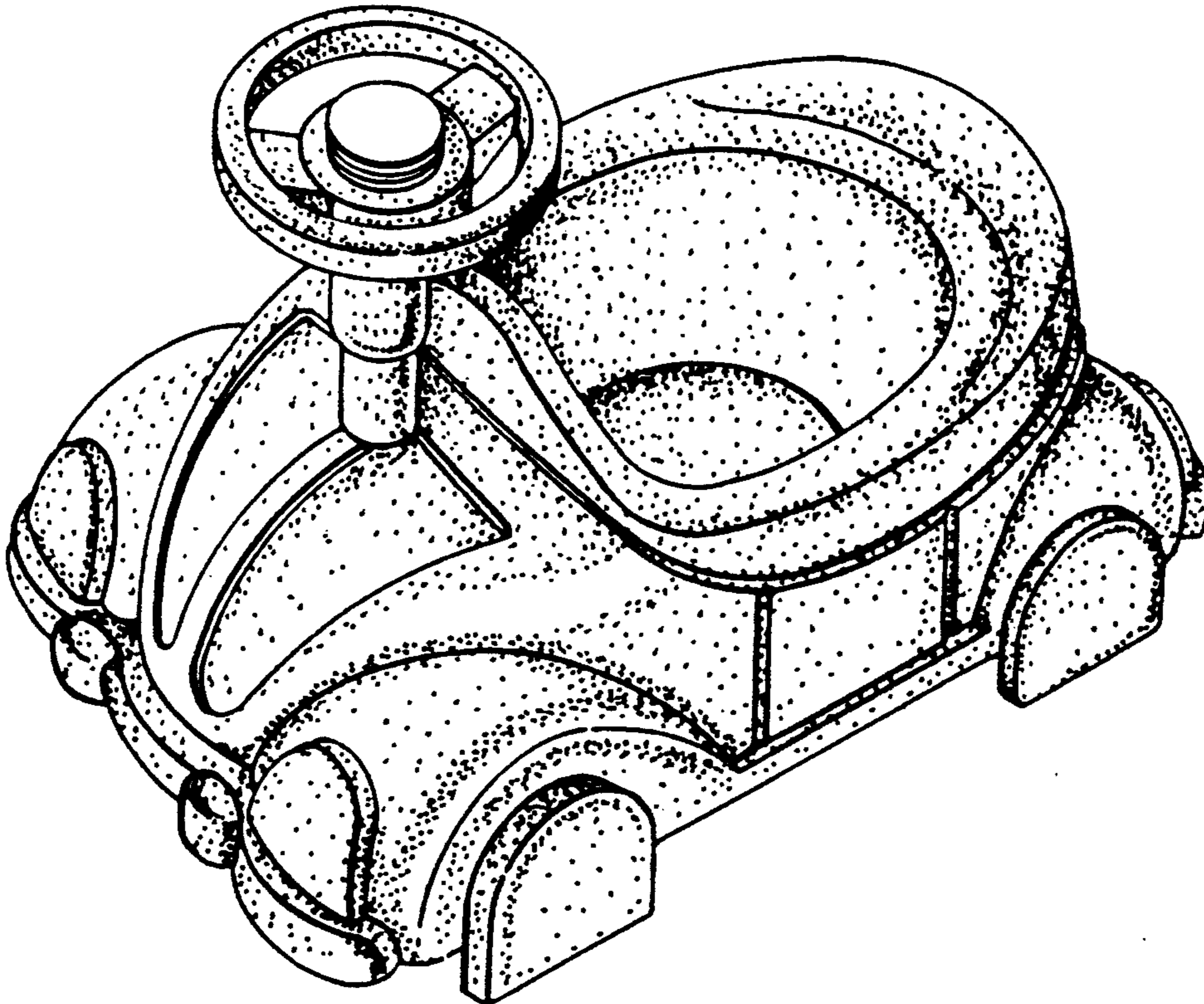
FIG. 8 is a perspective view thereof.

The cover from FIGS. 1-7 has been omitted for conve-
nience of illustration.

[56] References Cited

U.S. PATENT DOCUMENTS

D. 215,317	9/1969	Hood	D21/78
D. 264,234	5/1982	Nakao et al.	D21/78
D. 301,263	5/1989	Ishizawa	D21/136 X
D. 302,708	8/1989	King	D21/78
2,035,081	3/1936	Lower	D21/136 X



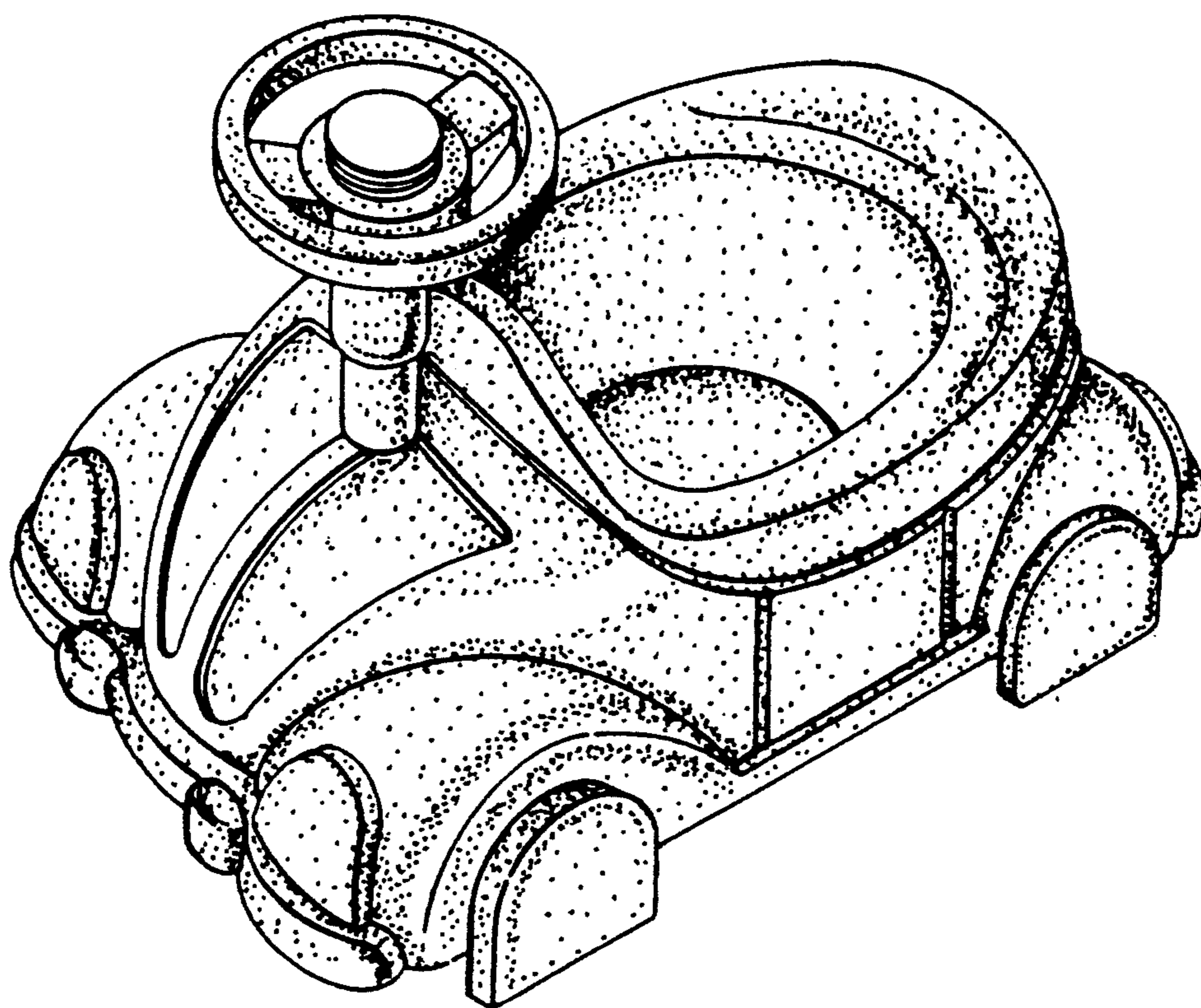


FIG. 1

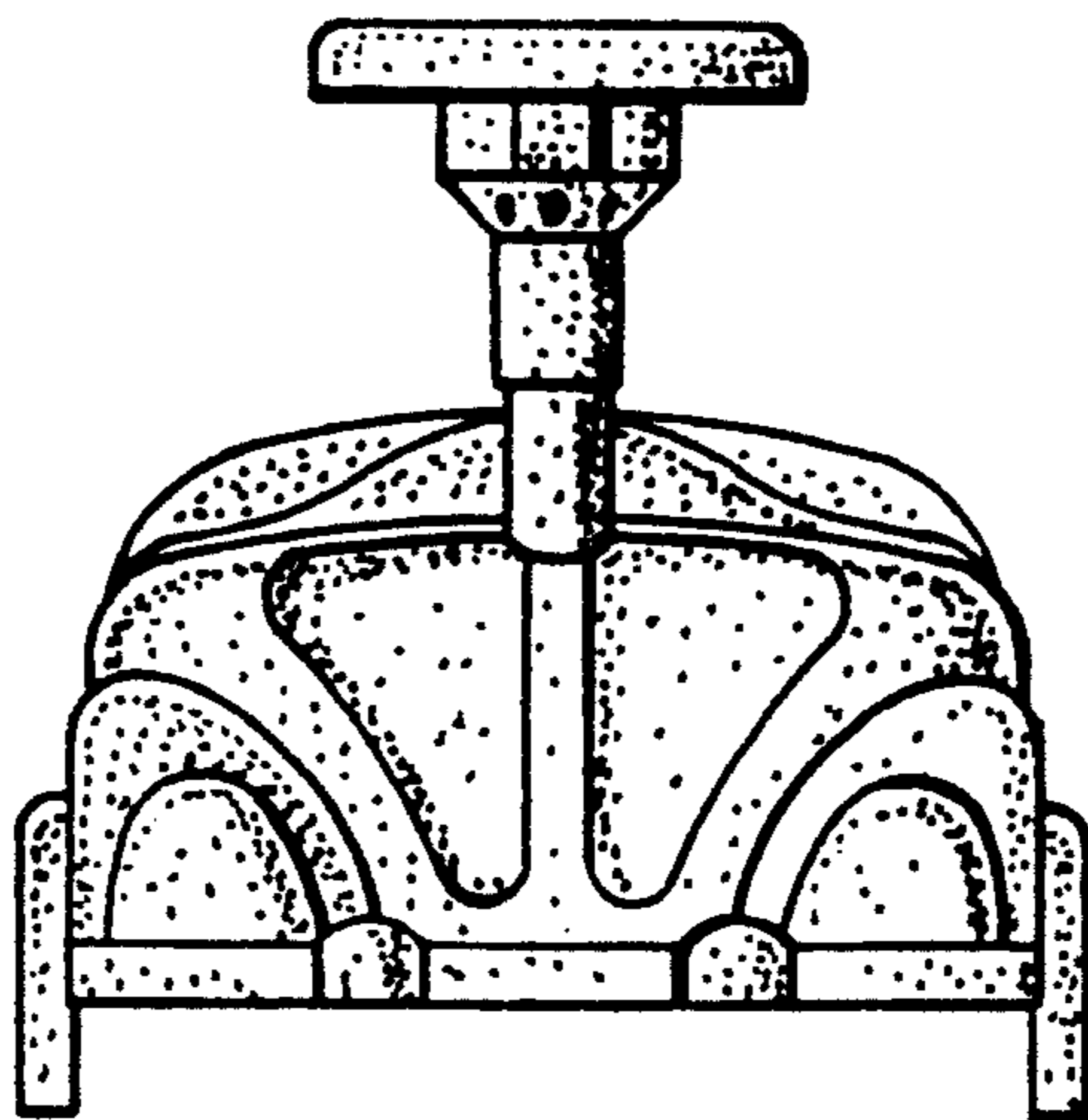


FIG. 2

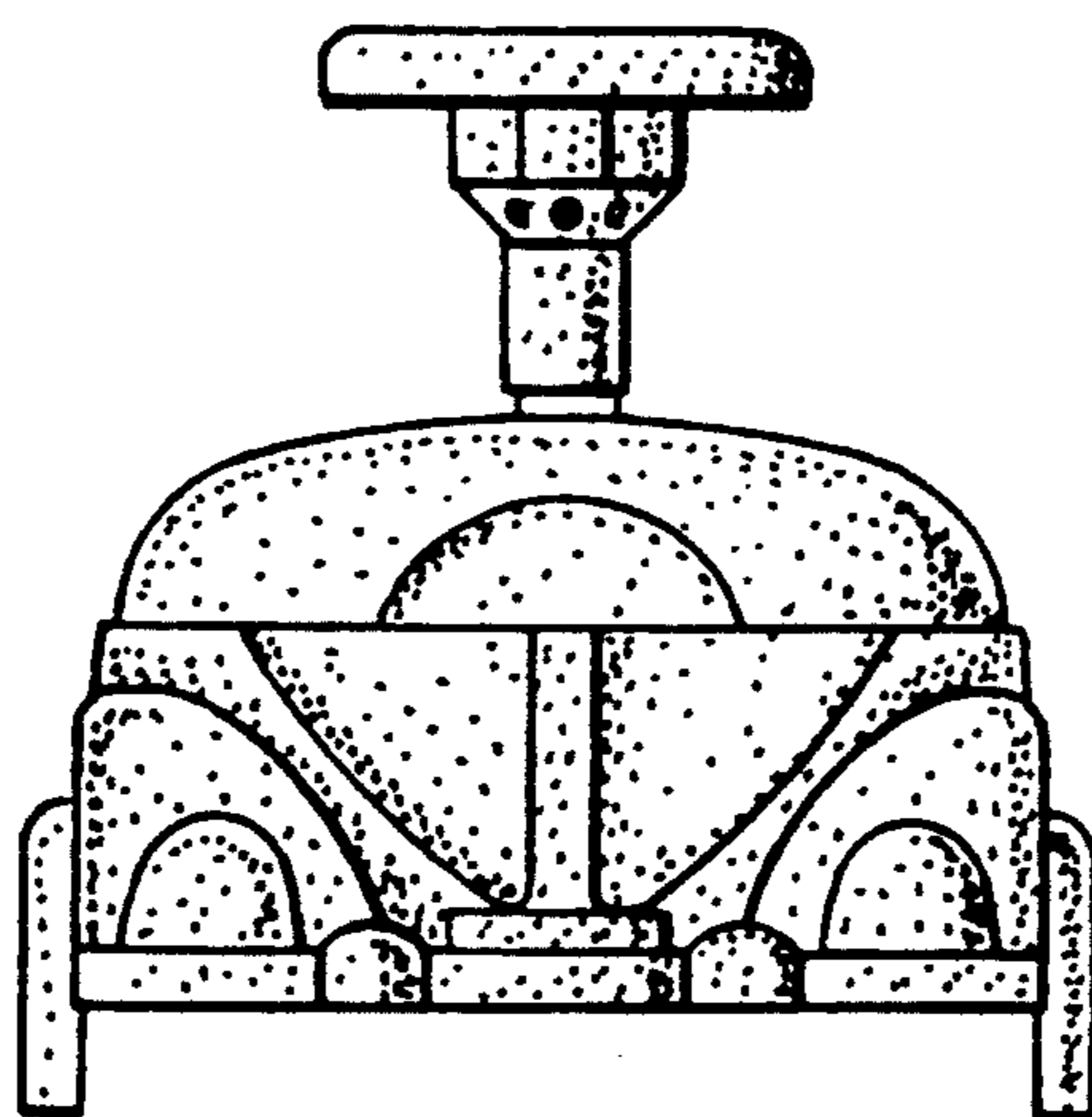


FIG. 3

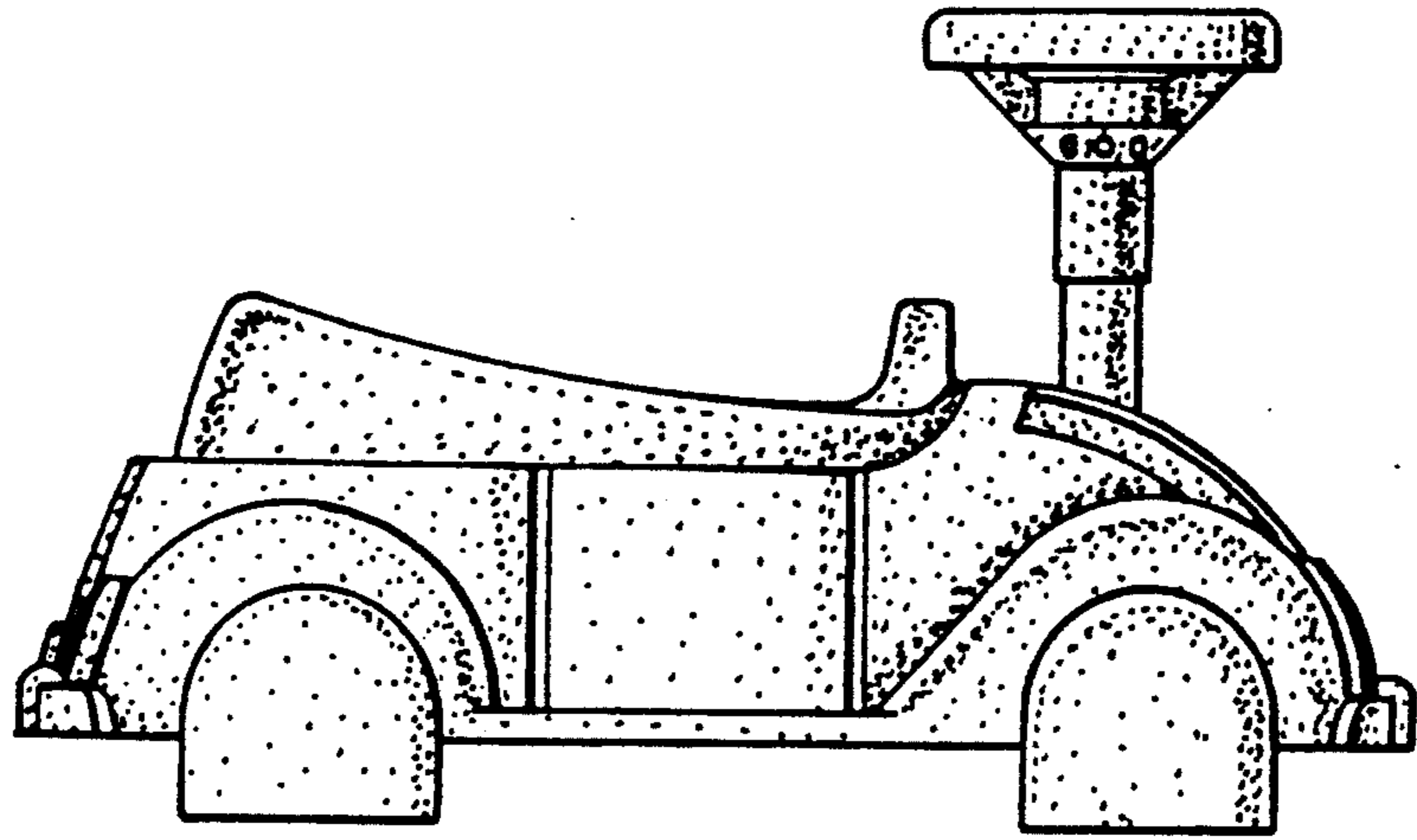


FIG. 4

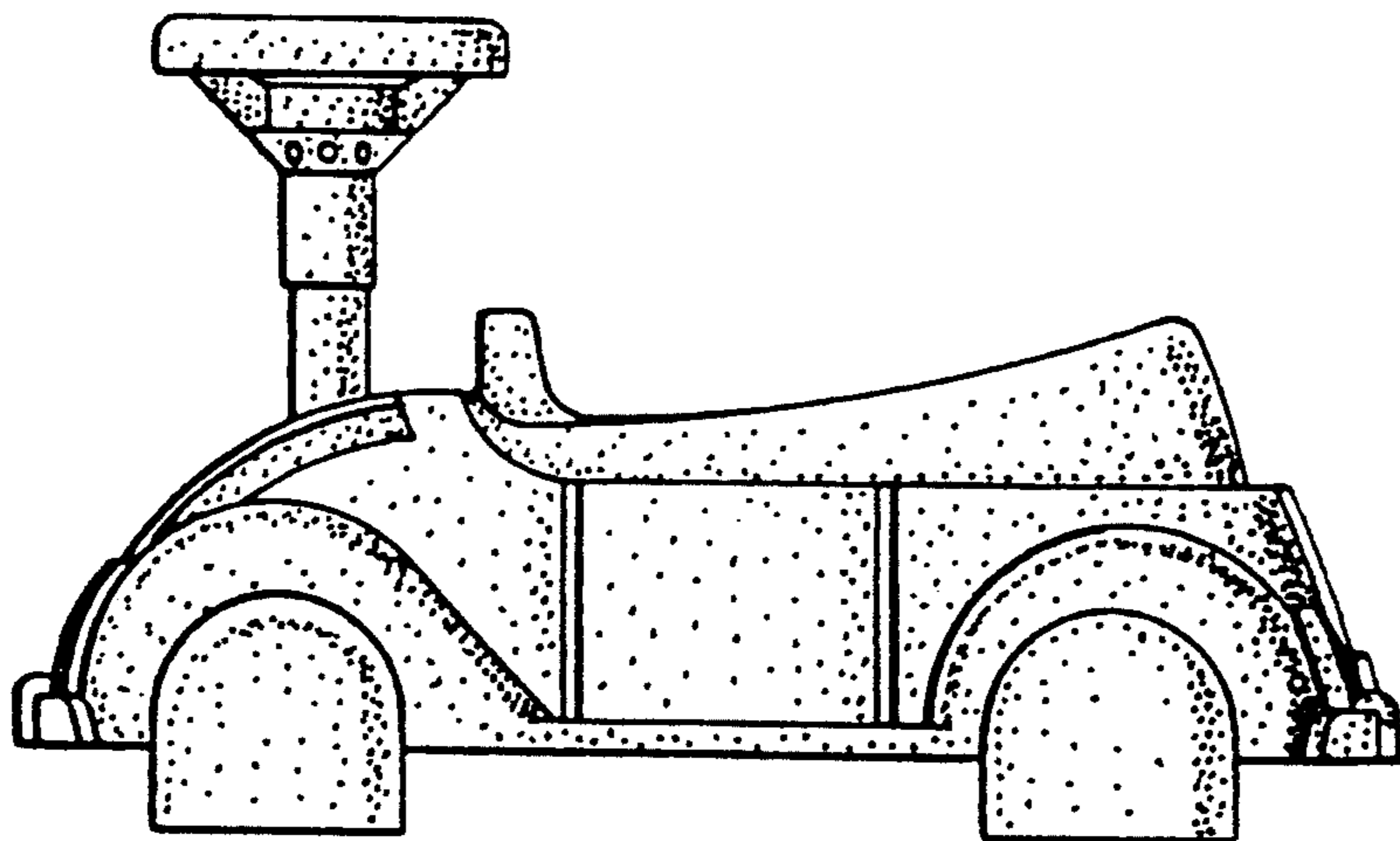


FIG. 5

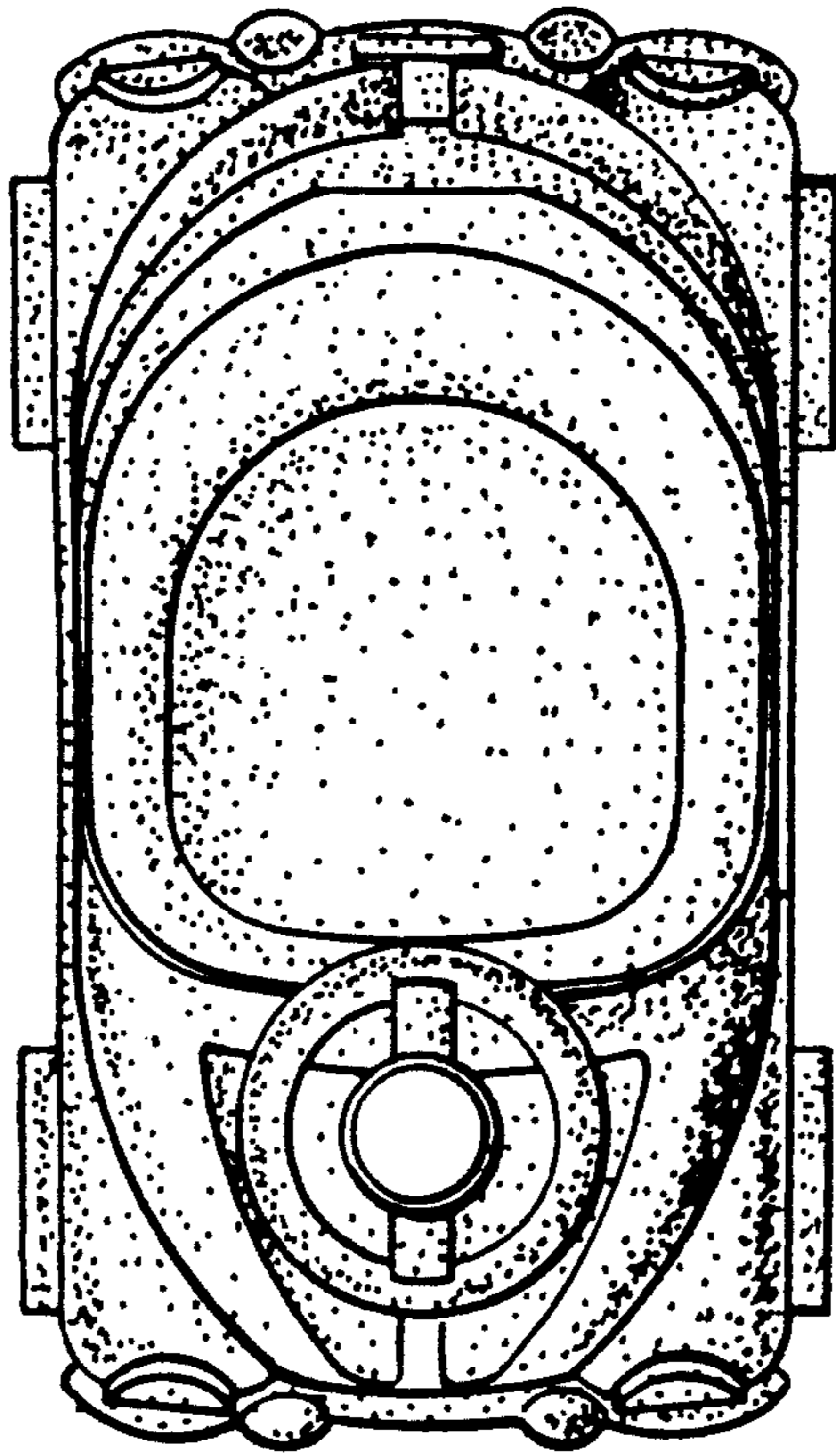


FIG. 6

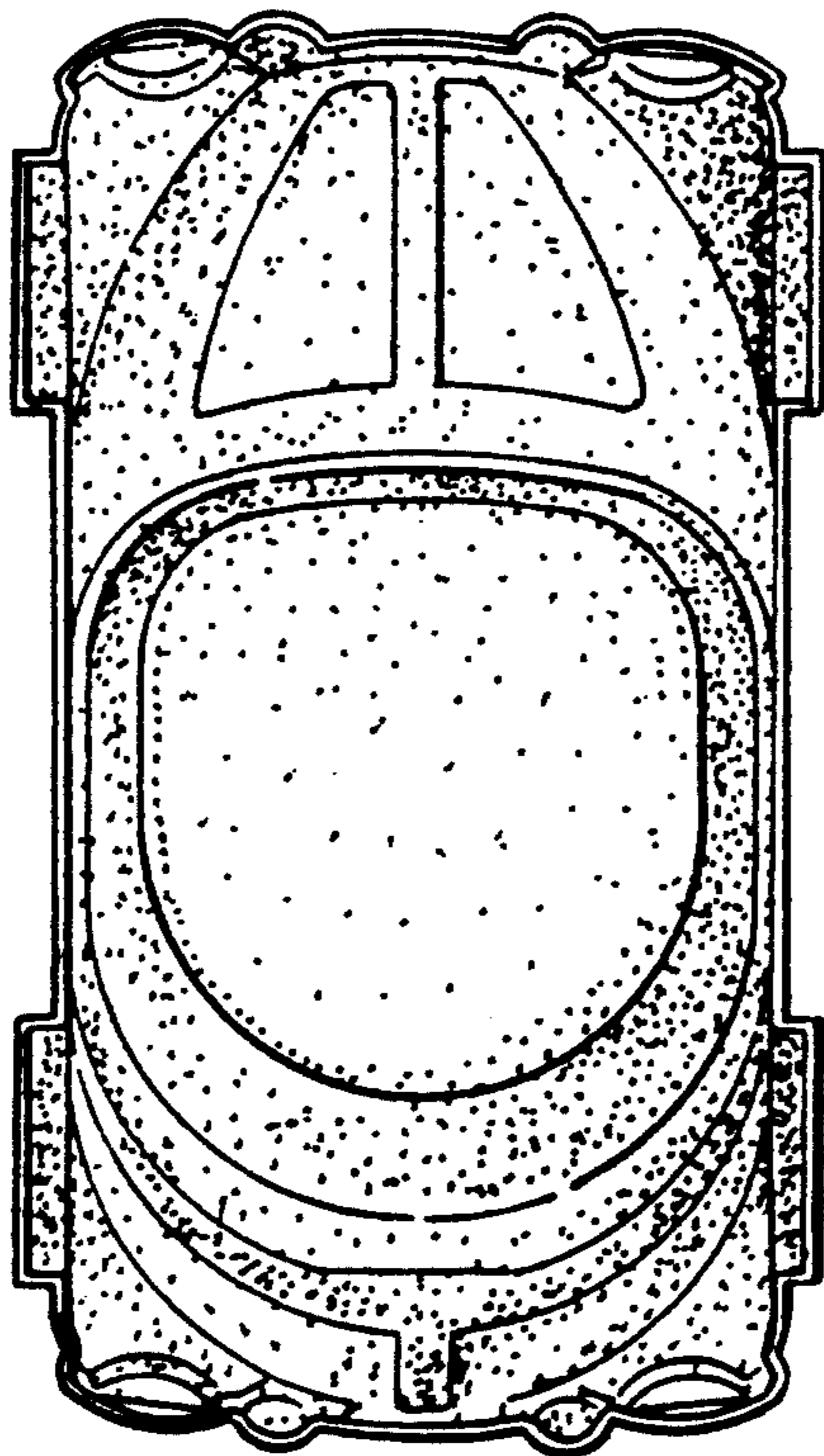


FIG. 7

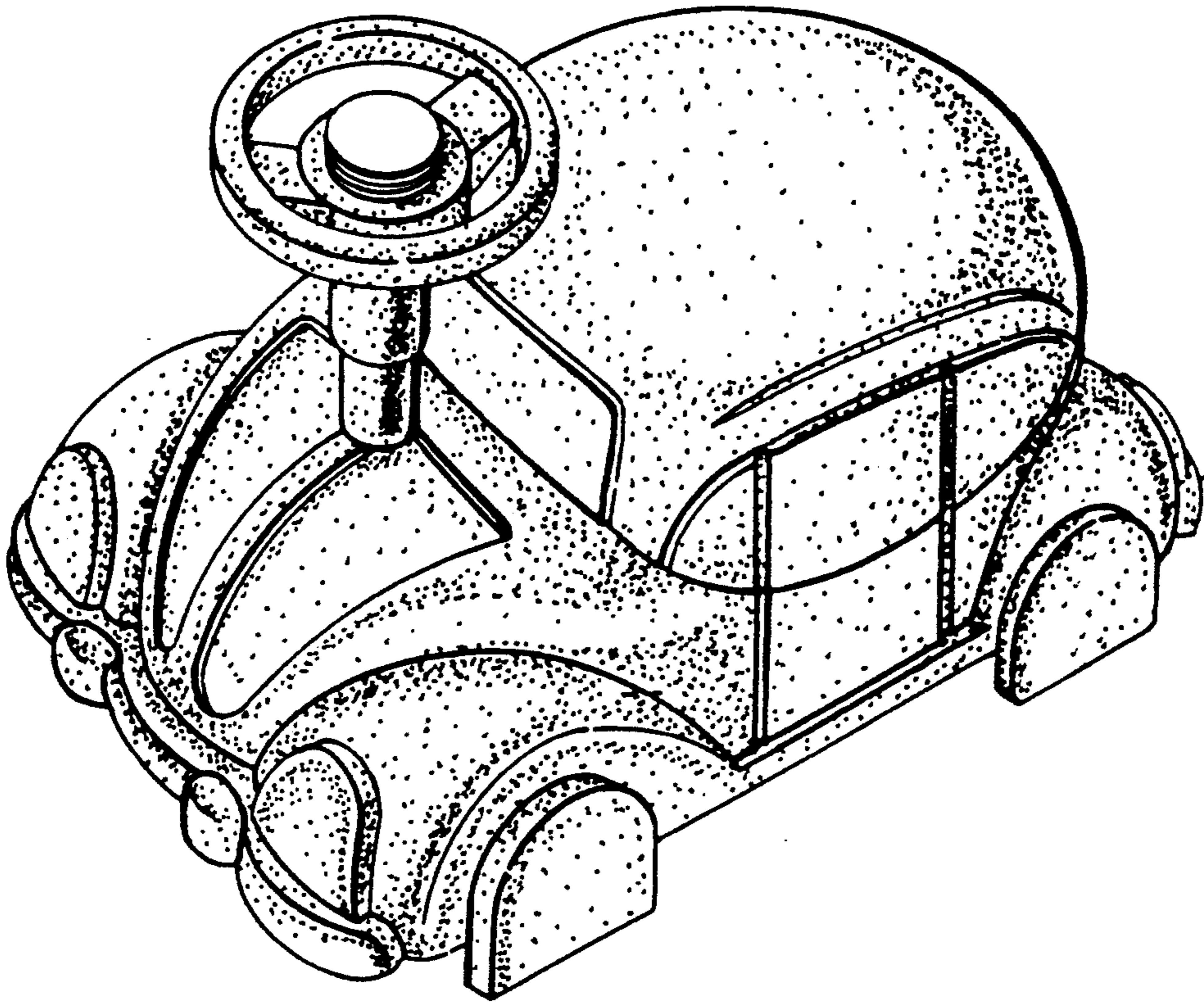


FIG. 8