



US00D347527S

# United States Patent [19]

[11] Patent Number: **Des. 347,527**

**Breen et al.**

[45] Date of Patent: **\*\* Jun. 7, 1994**

[54] **STEP STOOL WITH STORAGE COMPARTMENT**

D. 335,966 6/1993 Schuartzkopf et al. .... D6/349 X  
4,366,998 1/1983 Kaiser ..... 312/235  
4,744,613 5/1988 Brantingham ..... 312/235

[75] Inventors: **John D. Breen, Wooster; Gregory M. Crook, Columbus, both of Ohio**

[73] Assignee: **Rubbermaid Incorporated, Wooster, Ohio**

[\*\*] Term: **14 Years**

[21] Appl. No.: **897,970**

[22] Filed: **Jun. 15, 1992**

[52] U.S. Cl. .... **D6/349; D6/336; D6/484**

[58] Field of Search ..... **D6/349-353, D6/355, 358, 480, 484, 336; 297/175, 181, 188, 192, 423.1, 423.39, 461, 462, 192**

[56] **References Cited**

**U.S. PATENT DOCUMENTS**

- D. 157,319 2/1950 Bair ..... D6/349
- D. 186,488 10/1959 Madl ..... D6/350 X
- D. 271,256 11/1983 McClelland ..... D6/32
- D. 298,674 11/1988 Koller, Sr. .... D6/336 X
- D. 307,800 5/1990 Hradisky ..... D25/65
- D. 314,472 2/1991 Brantingham et al. .... D3/73

**OTHER PUBLICATIONS**

Jacobs Gardner, 1988, p. 51, Rubbermaid Stool #H, at bottom left.

*Primary Examiner*—Alan P. Douglas

*Assistant Examiner*—J. E. Seeger

*Attorney, Agent, or Firm*—Richard B. O'Planick; Lisa B. Riedesel

[57] **CLAIM**

The ornamental design for a step stool with storage compartment, as shown and described.

**DESCRIPTION**

FIG. 1 is a top right front perspective view of a step stool with storage compartment showing our new design;

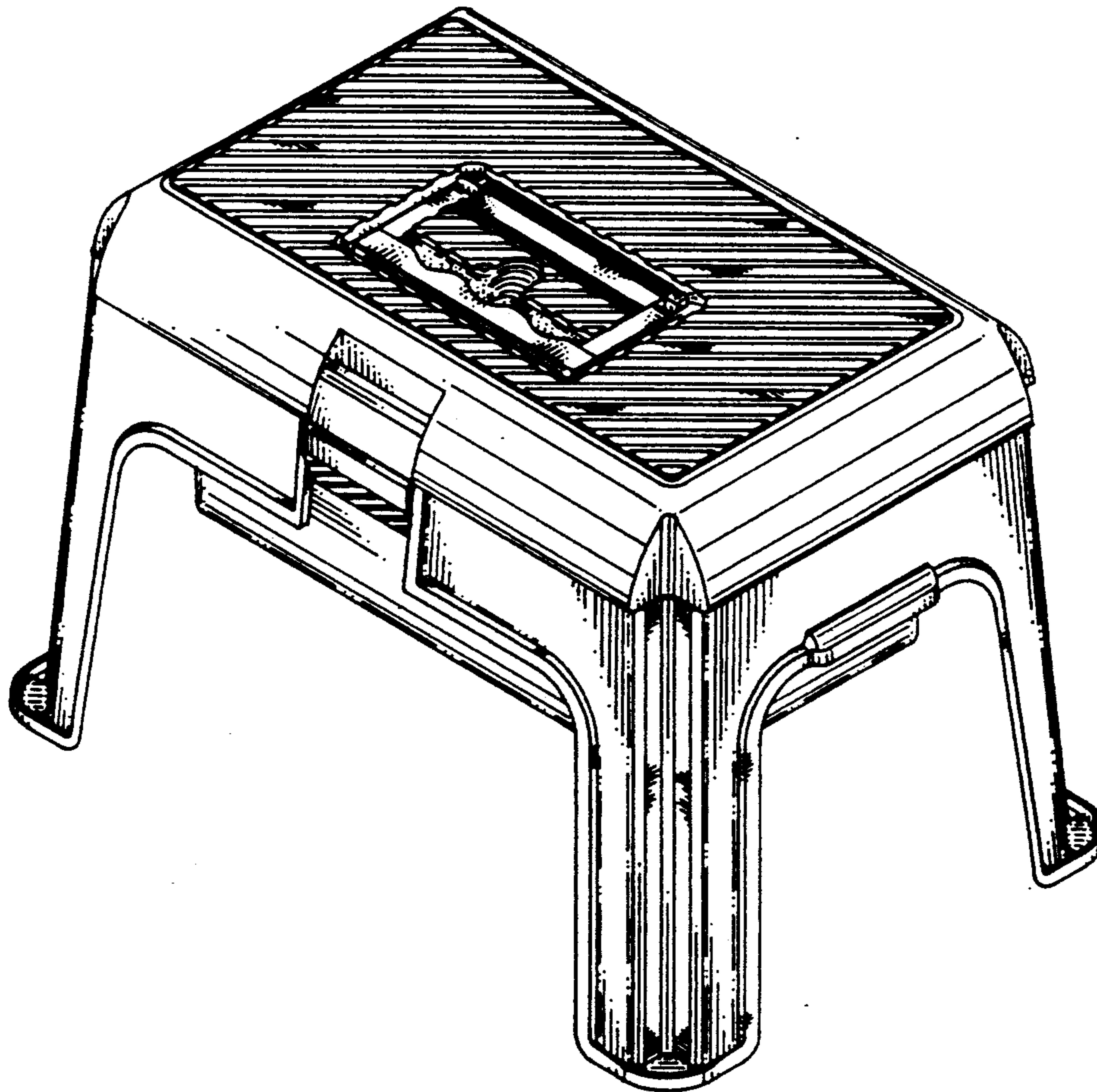
FIG. 2 is a top plan view thereof;

FIG. 3 is a front elevational view thereof;

FIG. 4 is a rear elevational view thereof;

FIG. 5 is a side elevational view thereof; the opposite side being a mirror image; and,

FIG. 6 is a bottom plan view thereof.



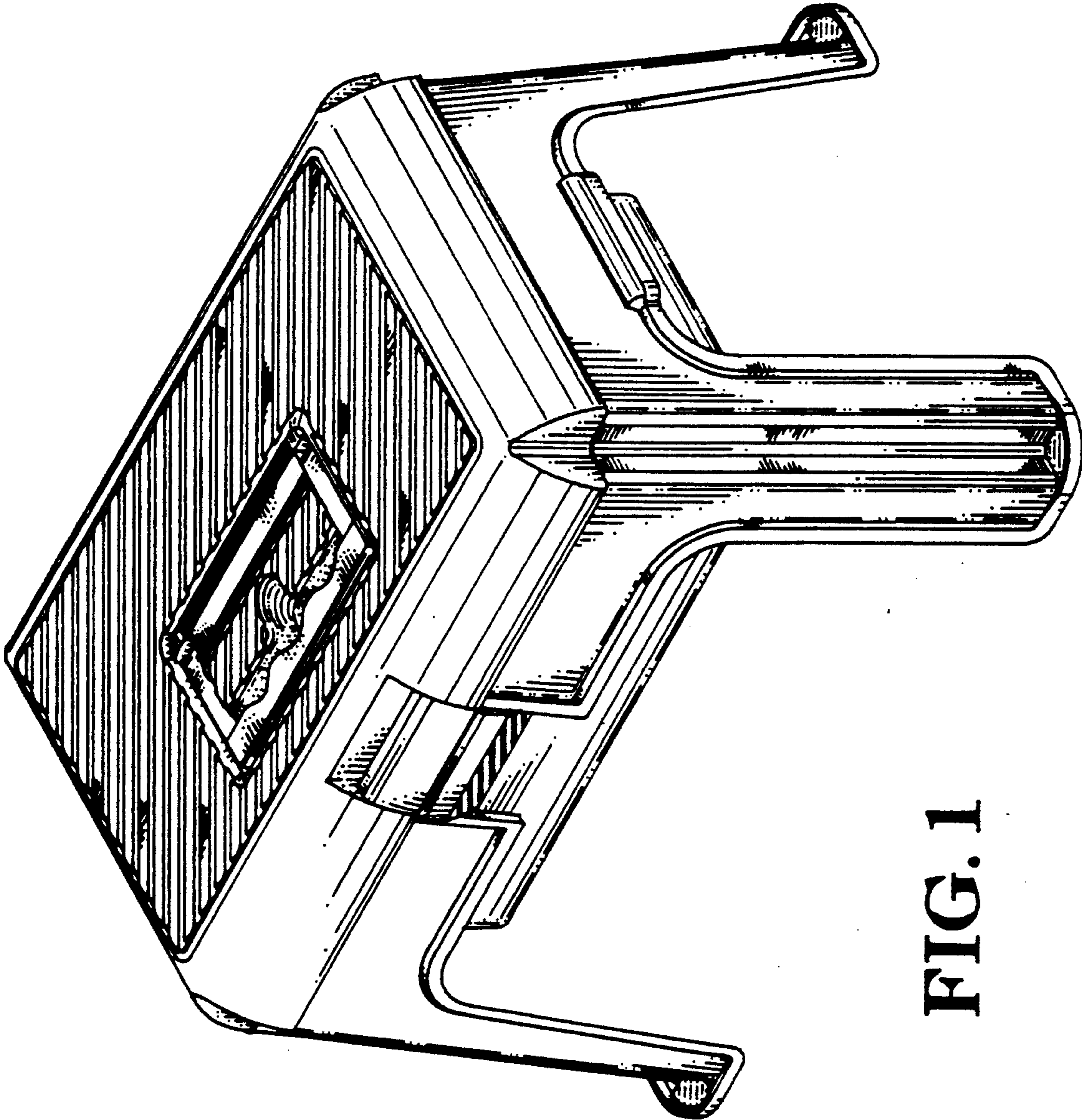


FIG. 1

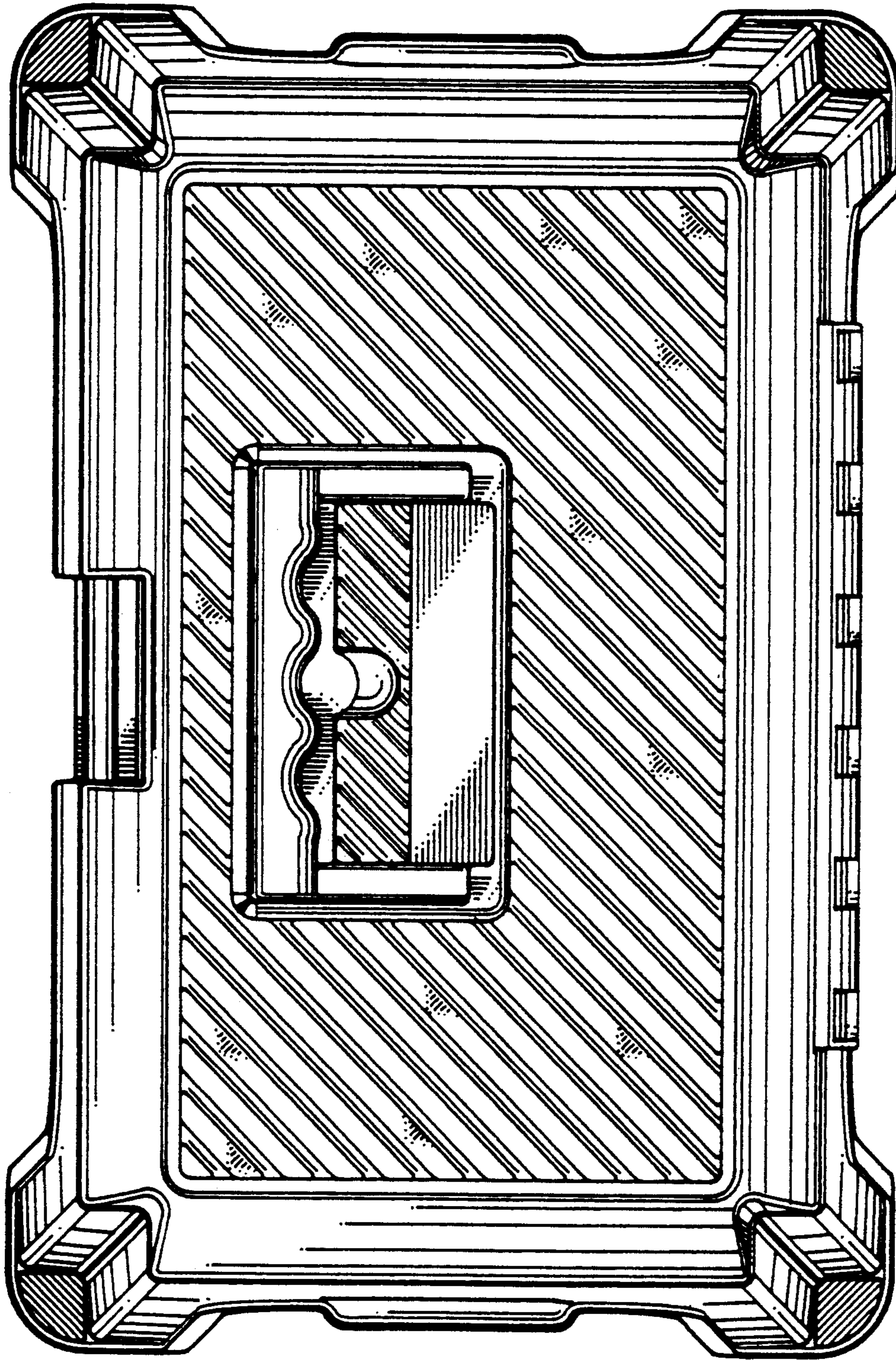


FIG. 2

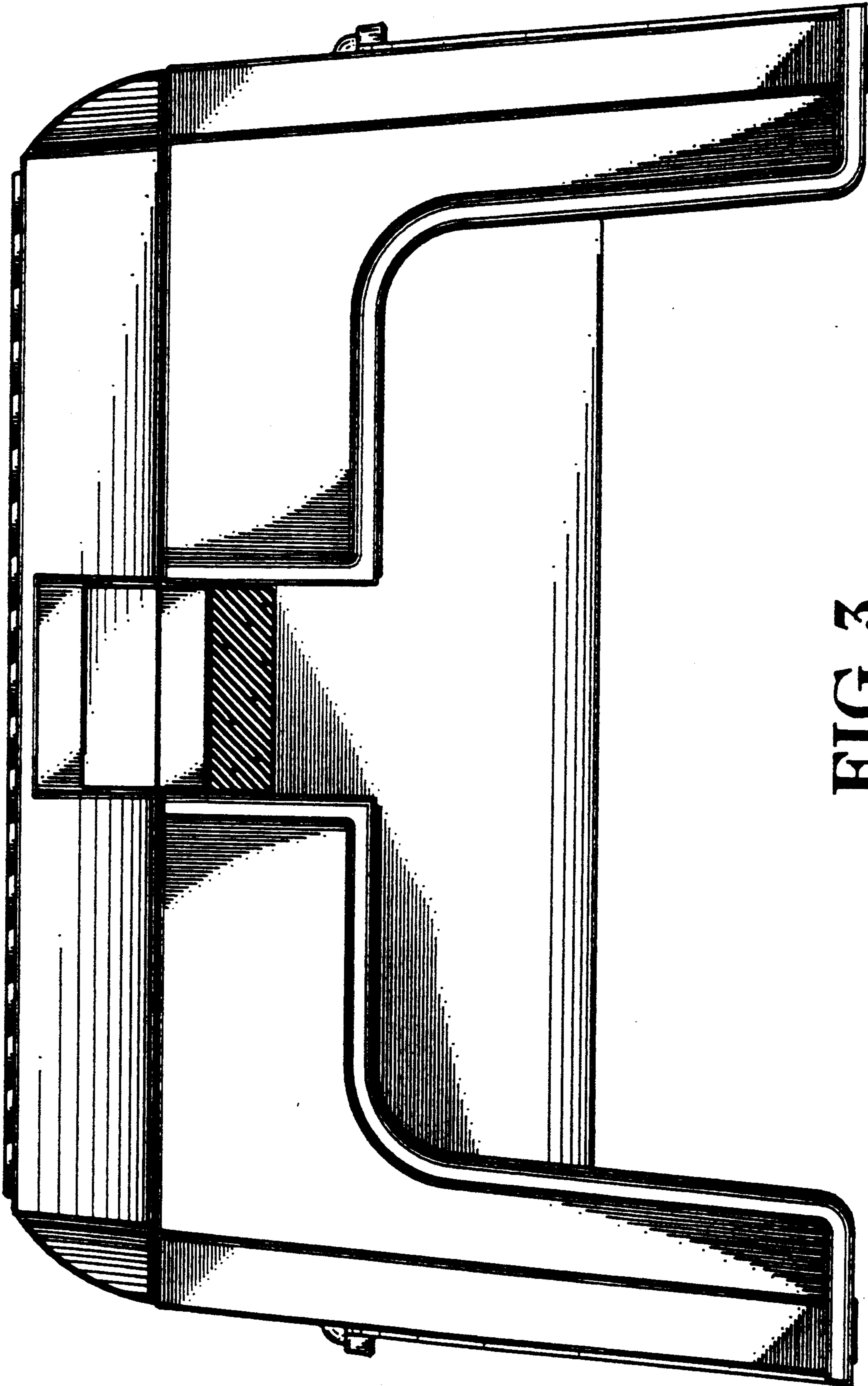


FIG. 3

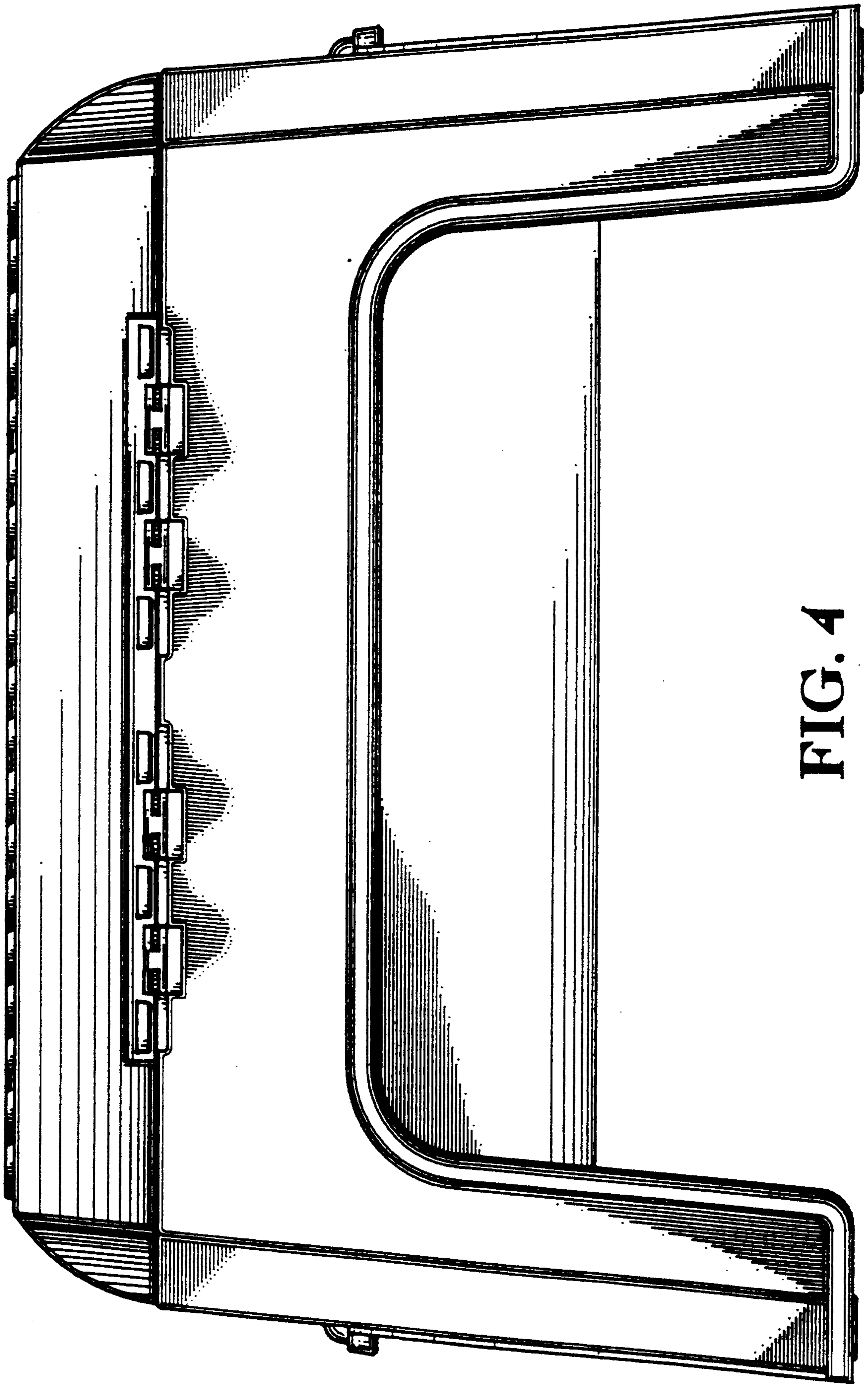


FIG. 4

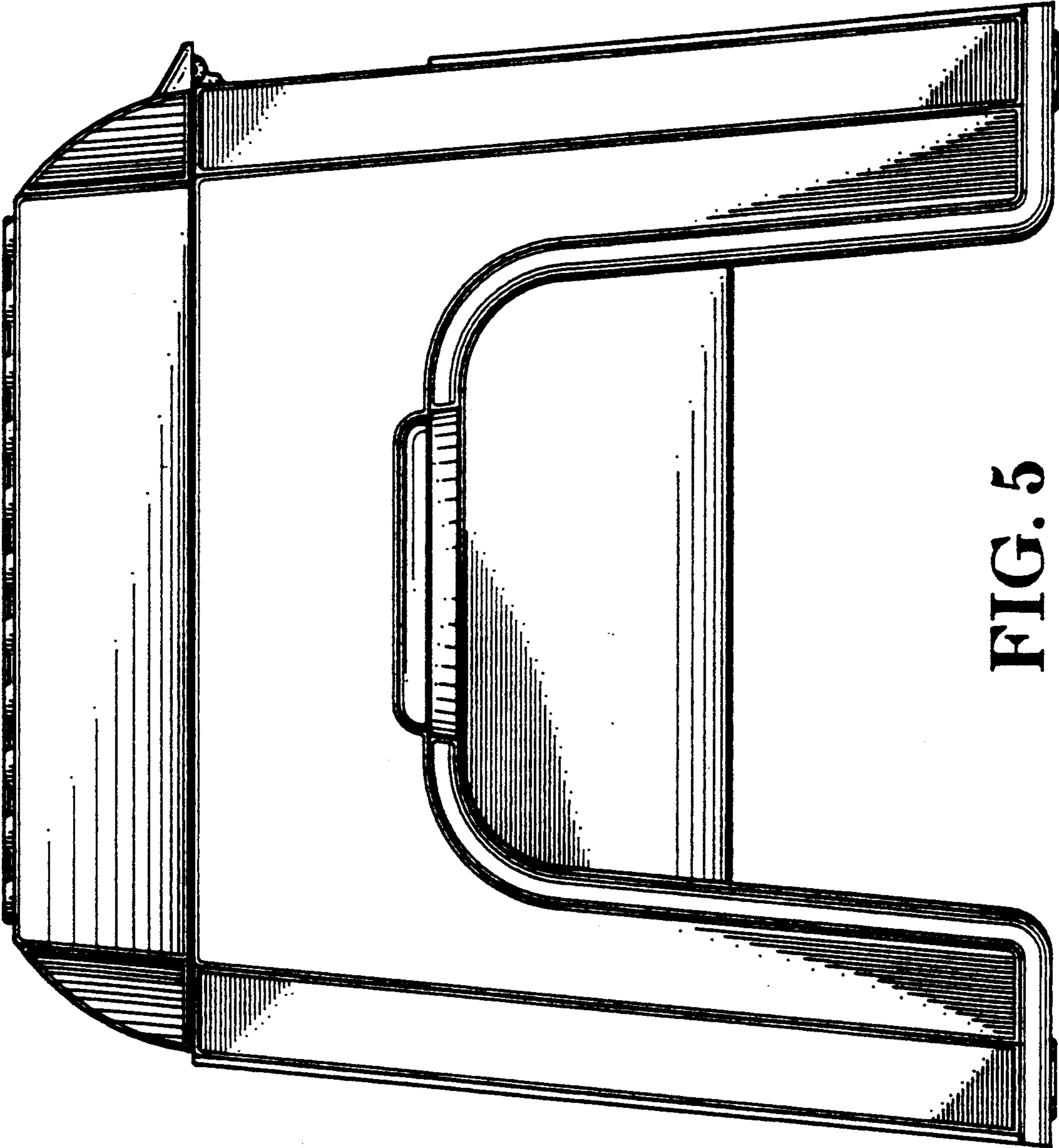


FIG. 5

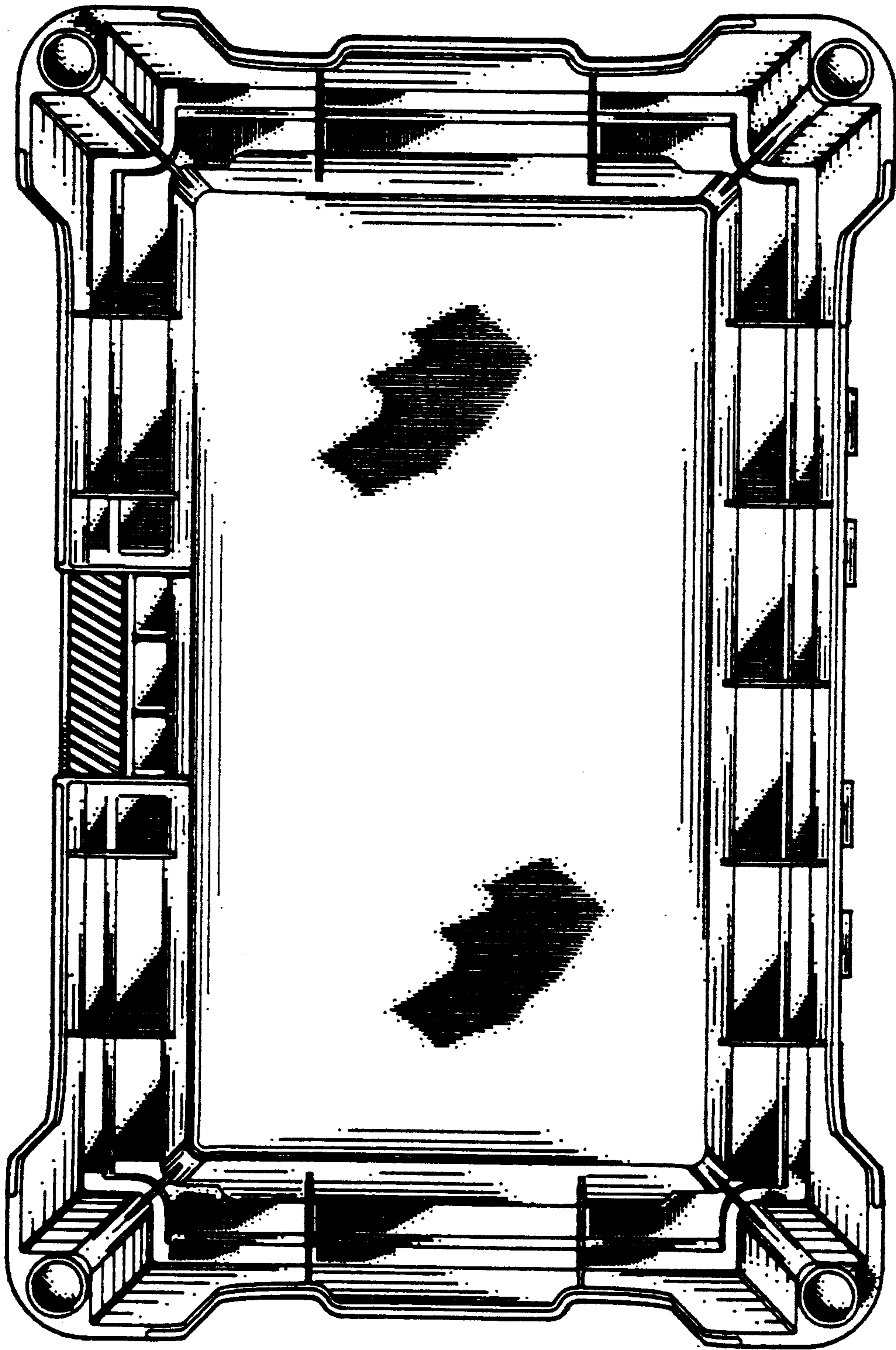


FIG. 6