



US00D347522S

United States Patent [19]

[11] Patent Number: **Des. 347,522**

Beltran

[45] Date of Patent: **** Jun. 7, 1994**

[54] NIGHT STICK CARRIER

[76] Inventor: **David Beltran**, 120 Sherman, Rock Springs, Wyo. 82901

[**] Term: **14 Years**

[21] Appl. No.: **914,698**

[22] Filed: **Jul. 20, 1992**

[52] U.S. Cl. **D3/229**

[58] Field of Search **D3/100, 104, 30.1, 2, D3/105, 106, 36; 224/251**

3,637,120	1/1972	Clay	D3/105
4,020,985	5/1977	Halterman	224/251
4,355,804	10/1982	Bingham	224/251
4,424,923	1/1984	Bingham	224/251
5,147,079	9/1992	Heather	D3/100

Primary Examiner—A. Hugo Word
Assistant Examiner—R. Seifert
Attorney, Agent, or Firm—Terry M. Gernstein

[57] CLAIM

The ornamental design for a night stick carrier, as shown and described.

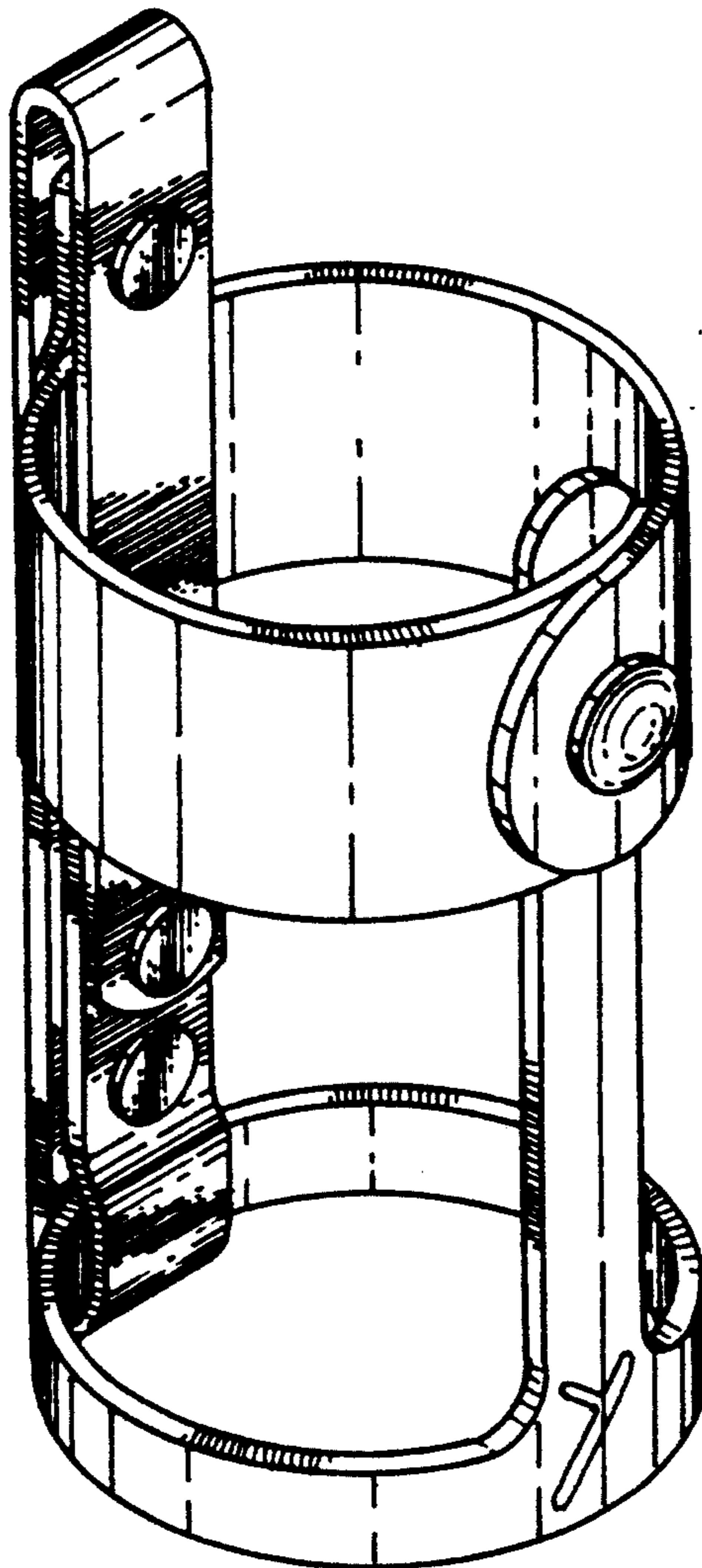
[56] References Cited

U.S. PATENT DOCUMENTS

D. 227,043	5/1973	Van Den Berg	D3/30.1
D. 280,257	8/1985	Miller	D3/106
D. 280,258	8/1985	Miller	D3/106
D. 293,856	1/1988	Evans	D3/105
D. 299,790	2/1989	Paul	D3/36
D. 300,989	5/1989	Kovach	D3/106
D. 305,961	2/1990	Cobb	D3/105

DESCRIPTION

FIG. 1 is a perspective view of the night stick carrier embodying the design of the present invention; FIG. 2 is a side elevational view thereof; FIG. 3 is a side elevational view thereof; FIG. 4 is a front elevational view thereof; FIG. 5 is a rear elevational view thereof; FIG. 6 is a top plan view thereof; and, FIG. 7 is a bottom view thereof.



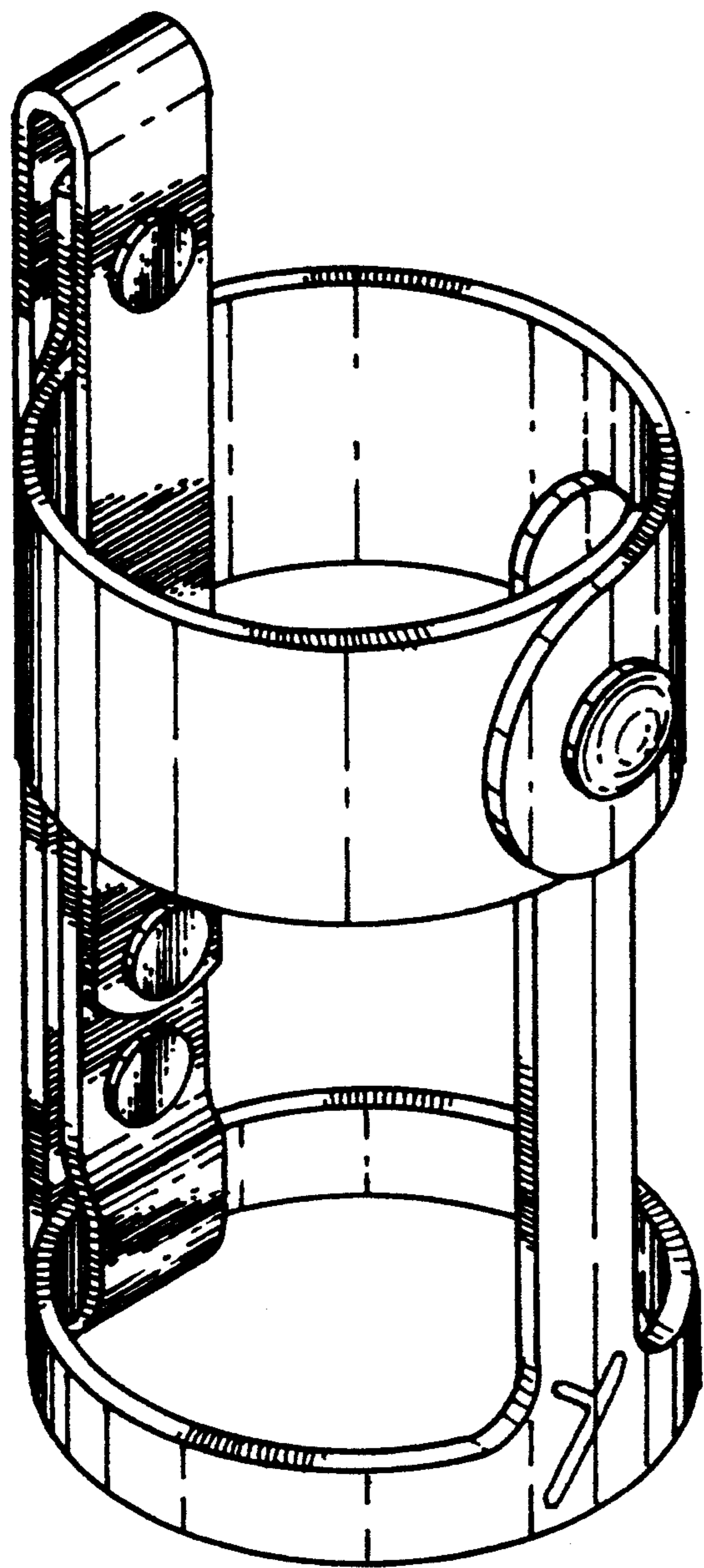


FIG. 1

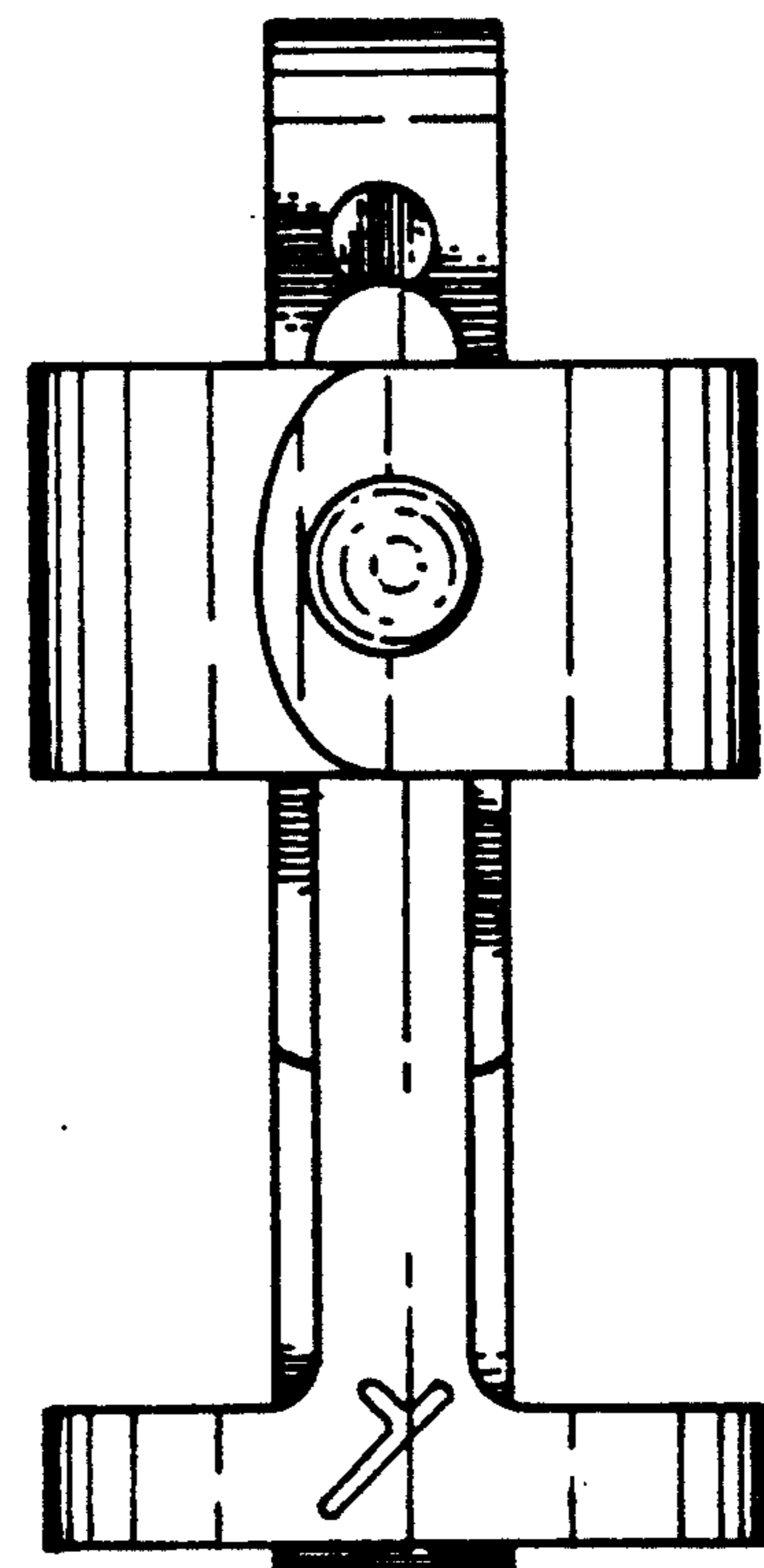
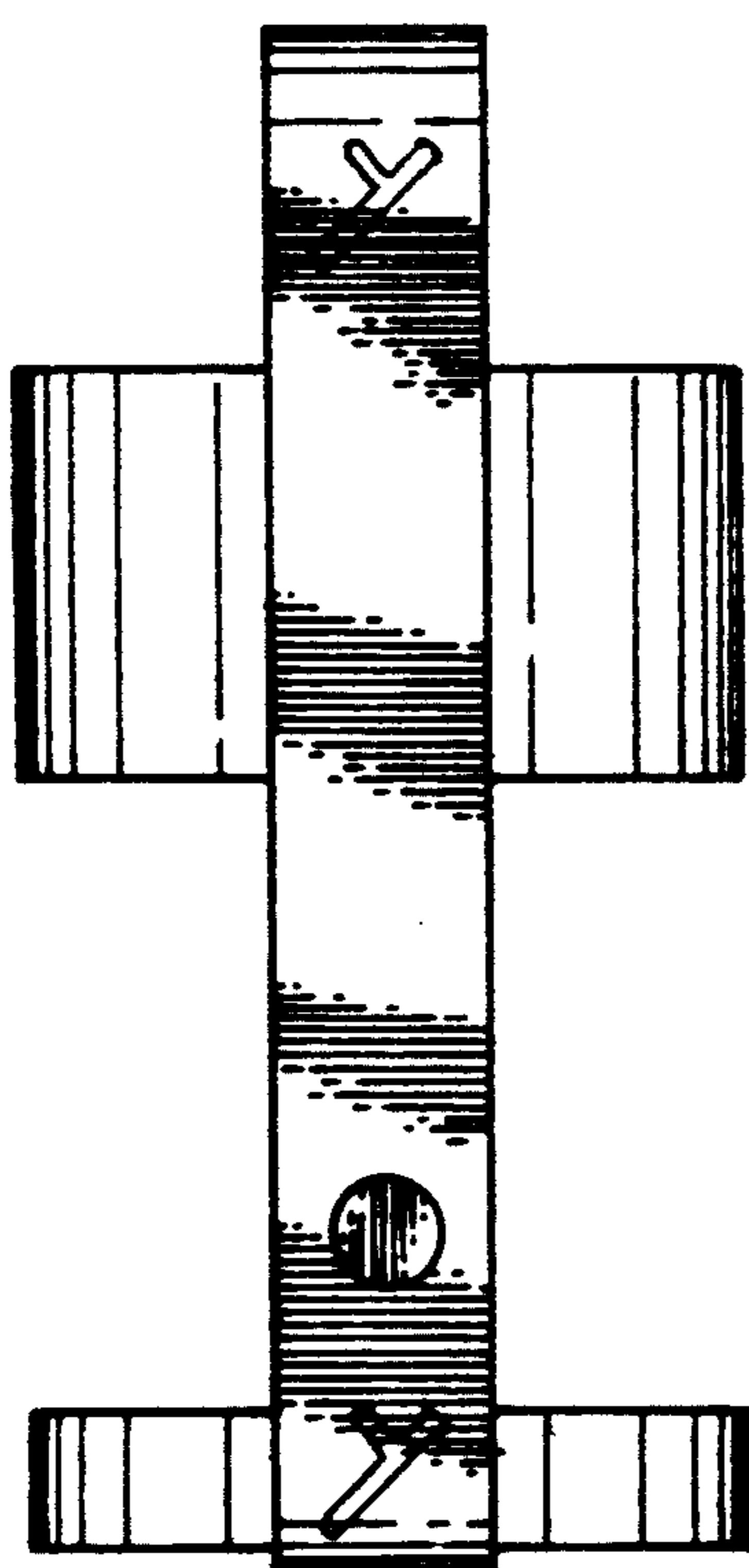
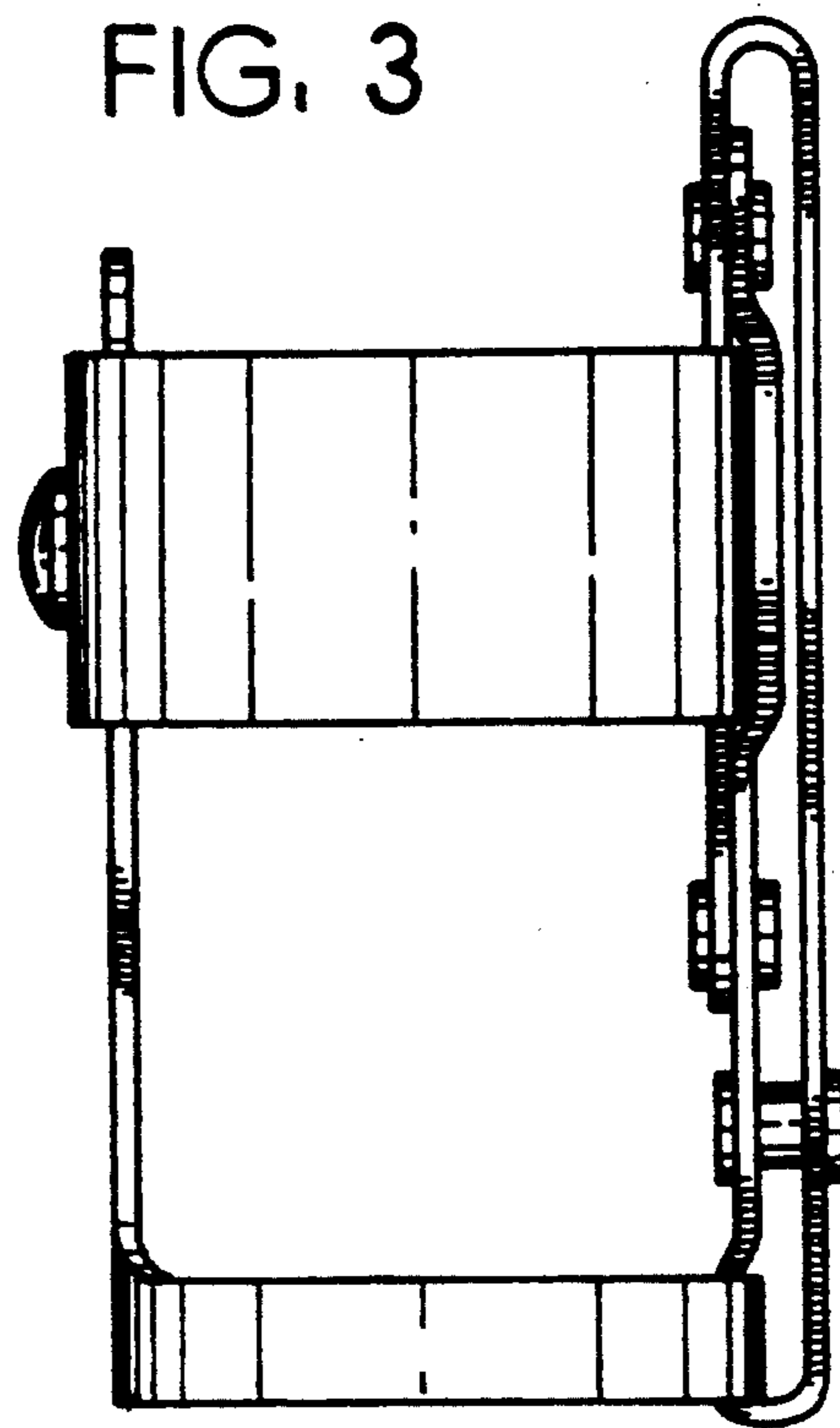
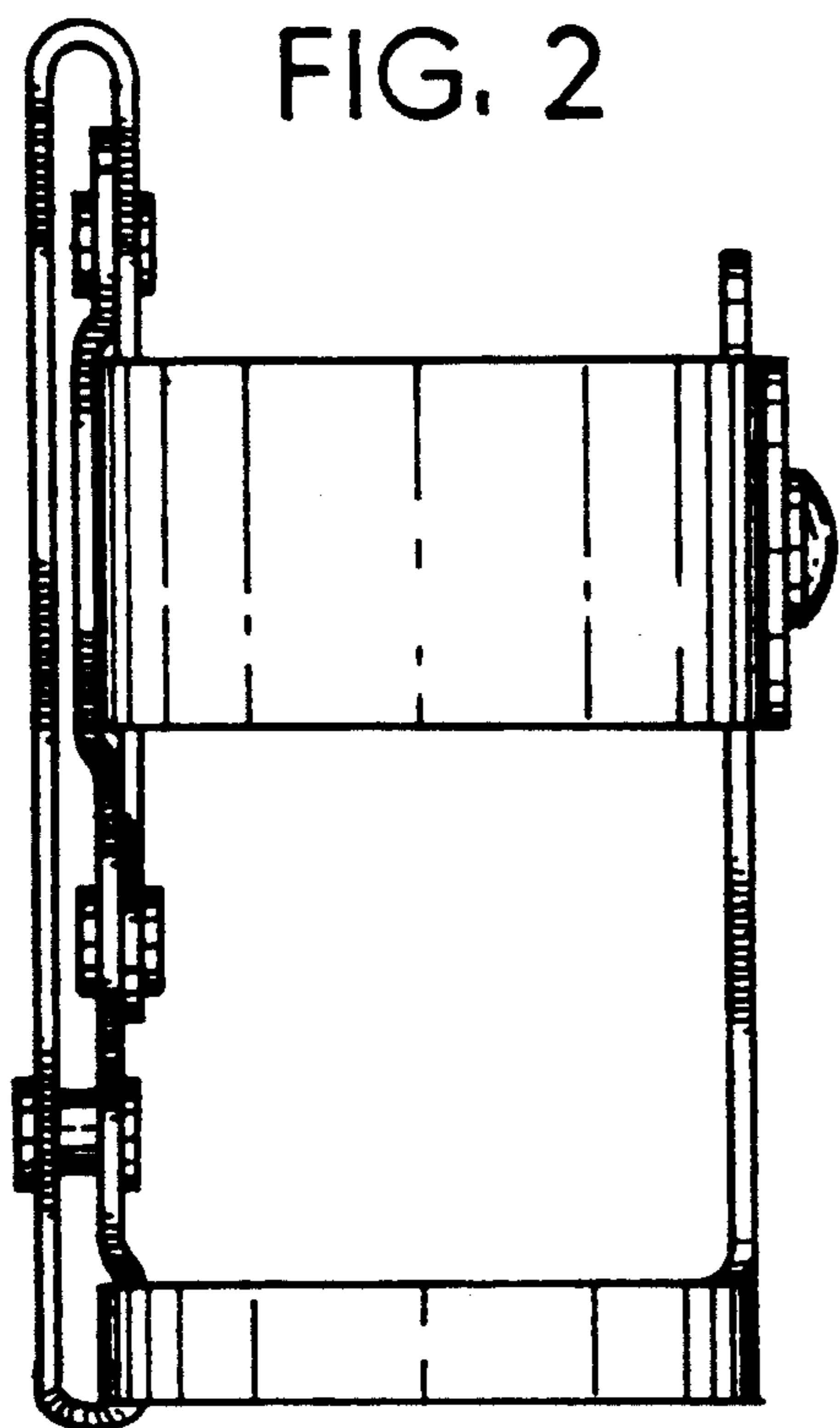


FIG. 4

FIG. 5

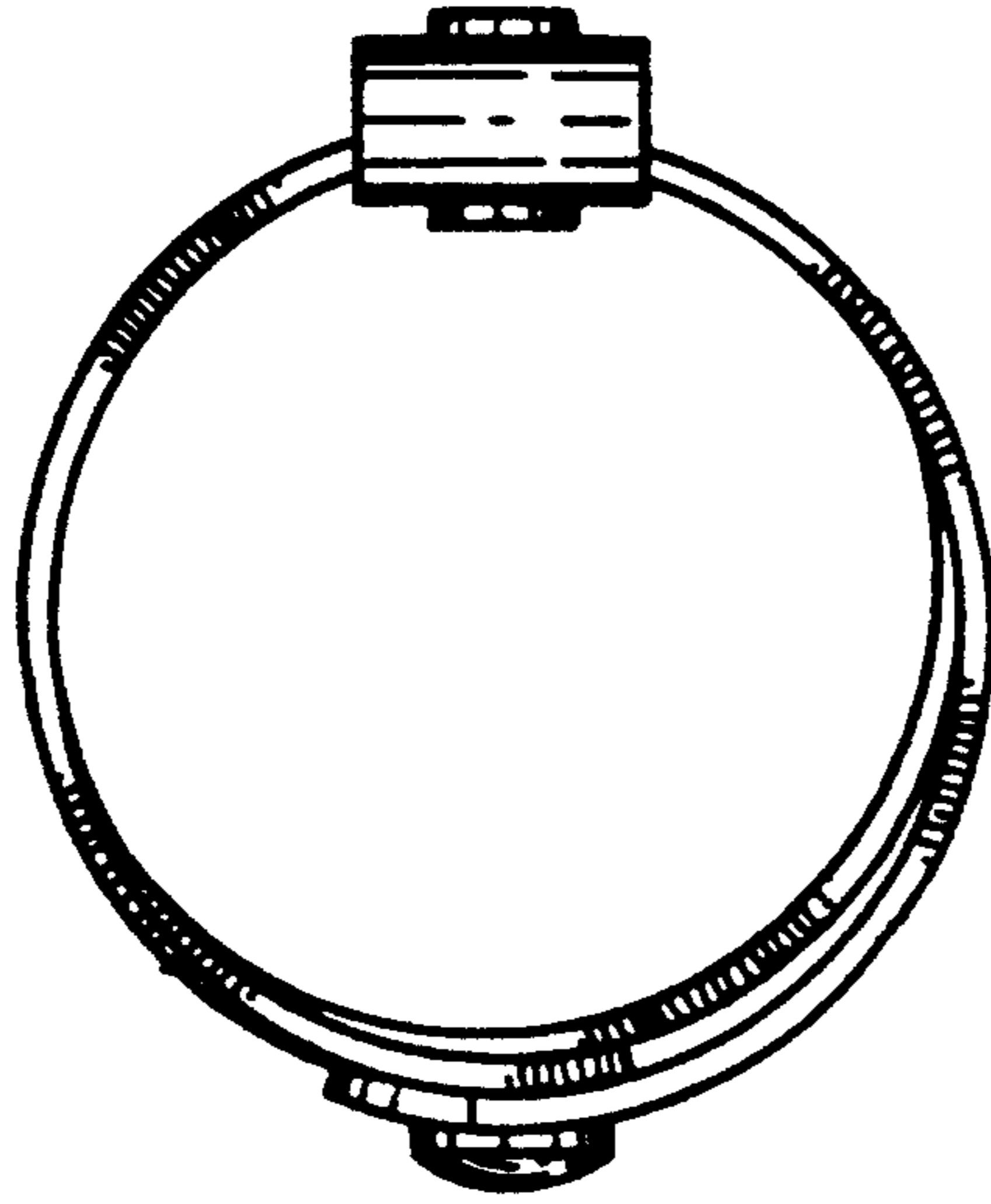


FIG. 6

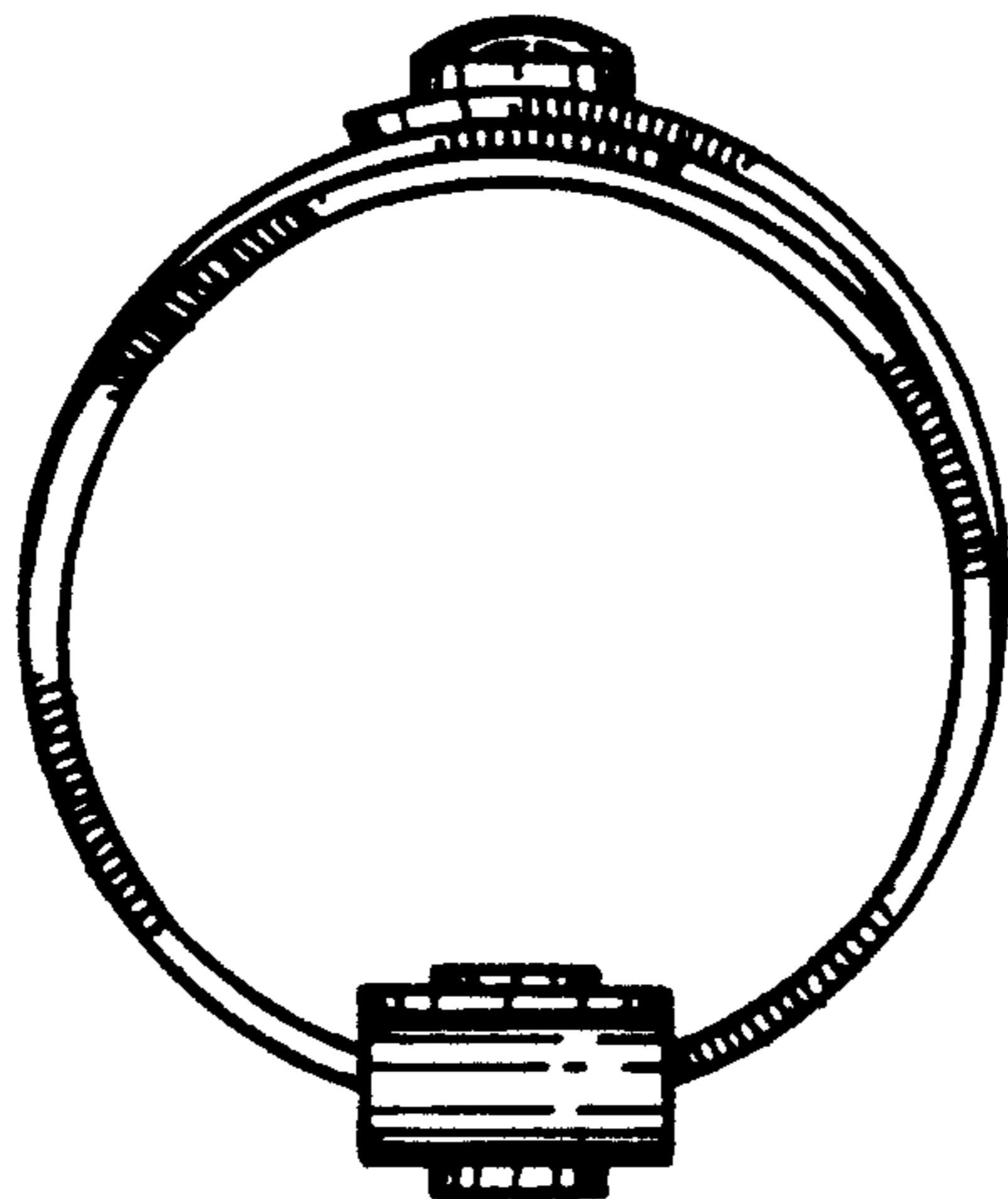


FIG. 7