



US00D347510S

# United States Patent [19]

[11] Patent Number: **Des. 347,510**

**Riddick**

[45] Date of Patent: **\*\* May 31, 1994**

[54] **NEWSPAPER BUNDLING ARTICLE**

[76] Inventor: **Arthur D. Riddick**, 36 Norton Rd., East Brunswick, N.J. 08816

[\*\*] Term: **14 Years**

[21] Appl. No.: **5,874**

[22] Filed: **Mar. 15, 1993**

[52] U.S. Cl. .... **D34/38; D6/449**

[58] Field of Search ..... **D6/462, 475, 449; 100/34; 211/50; 108/51.1, 51.3; D34/38**

3,491,681	1/1970	Quinlan	100/34
3,780,854	12/1973	Ruppenthal	100/34
3,850,092	11/1974	Montgomery	100/34
3,952,876	4/1976	Price	211/50
4,193,340	3/1980	Finn	100/34
4,395,941	8/1983	Metzger	100/34
4,926,748	5/1990	Smith et al.	100/34
4,964,518	10/1990	Wilson	211/50
5,004,099	4/1991	Carpenter	100/34
5,005,709	4/1991	Stokes	211/50

*Primary Examiner*—**Kay H. Chin**

*Attorney, Agent, or Firm*—**Plevy & Associates**

[56] **References Cited**

**U.S. PATENT DOCUMENTS**

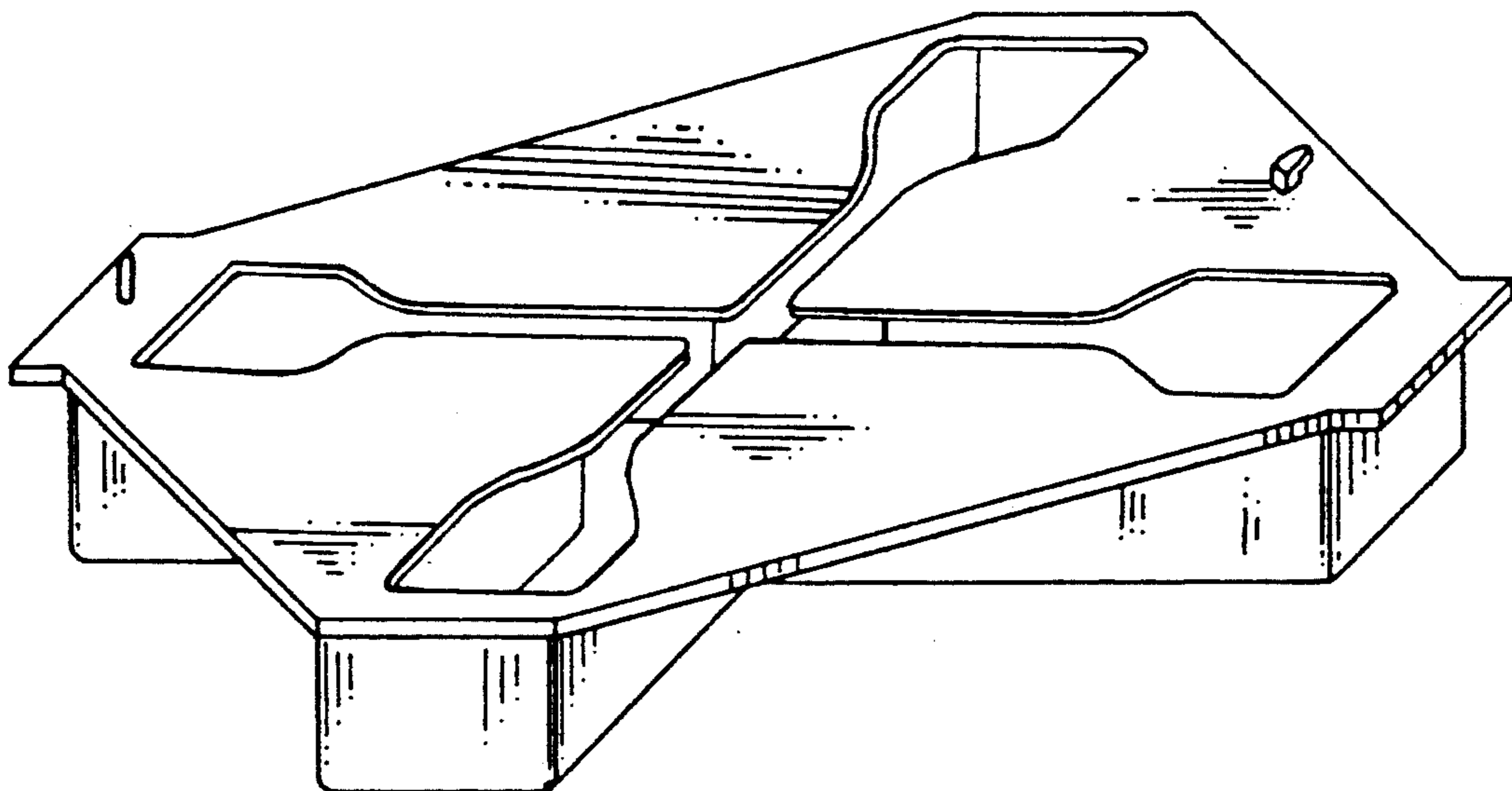
D. 159,165	6/1950	Rippe	D6/462
D. 162,226	2/1951	Rippe	D6/462
D. 170,309	9/1953	Curtis et al.	D6/475
D. 230,802	3/1974	Morita	D6/475
D. 249,617	9/1978	Bozrcnik	D6/475
2,364,518	12/1944	Clouser	100/34
2,575,048	11/1951	Dankert	100/34
2,639,037	5/1953	Friend	108/107
2,818,180	12/1957	Keene	108/25
2,839,990	6/1958	Barlar	100/34
3,038,403	6/1962	Orelind	100/34

[57] **CLAIM**

The ornamental design for a newspaper bundling article, as shown and described.

**DESCRIPTION**

FIG. 1 is a top perspective view of a newspaper bundling article showing my new design; FIG. 2 is a right side view thereof; FIG. 3 is a left side view thereof; FIG. 4 is a front view thereof; FIG. 5 is a rear view thereof; FIG. 6 is a top view thereof; and, FIG. 7 is a bottom view thereof.



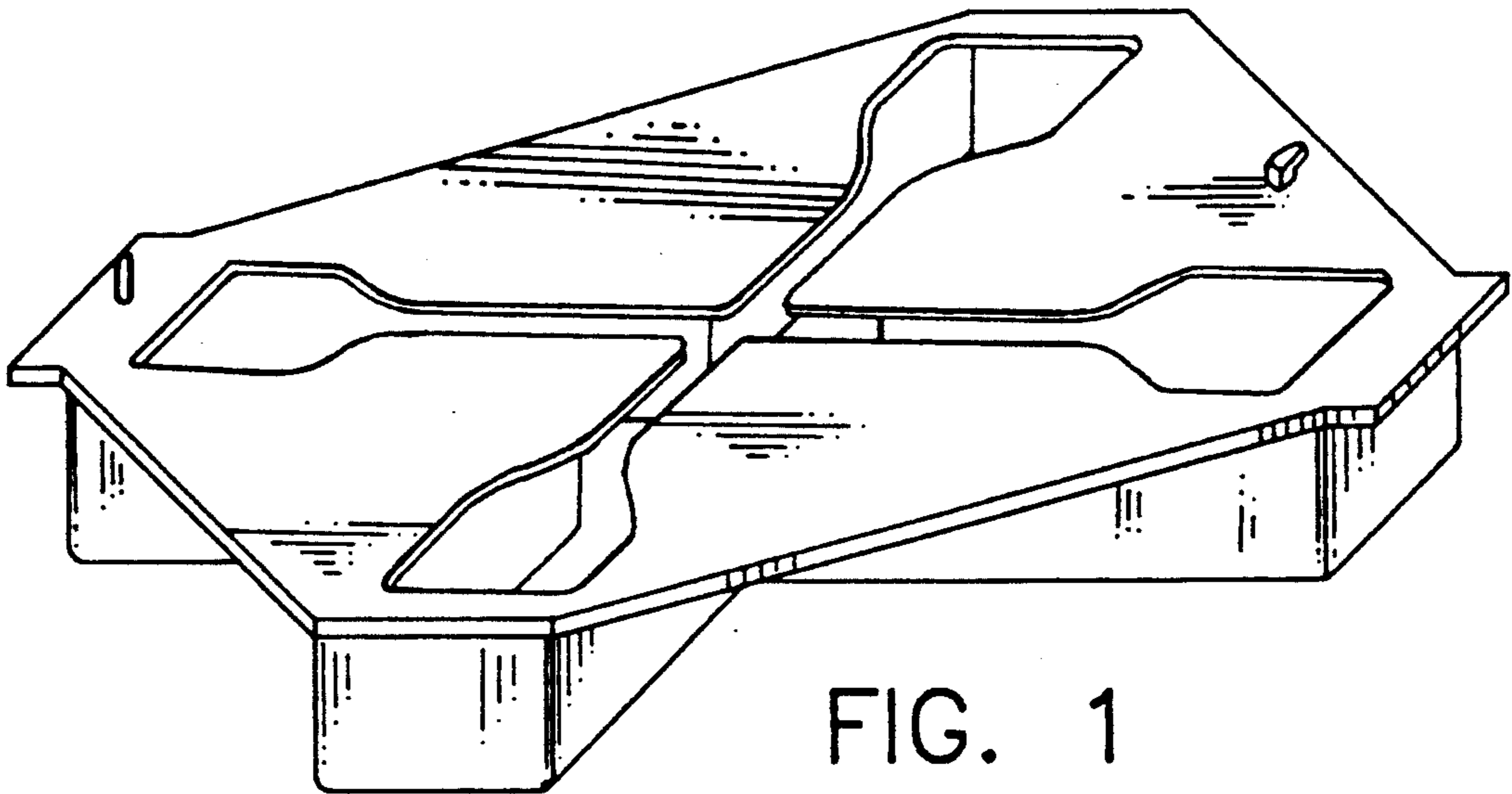


FIG. 1

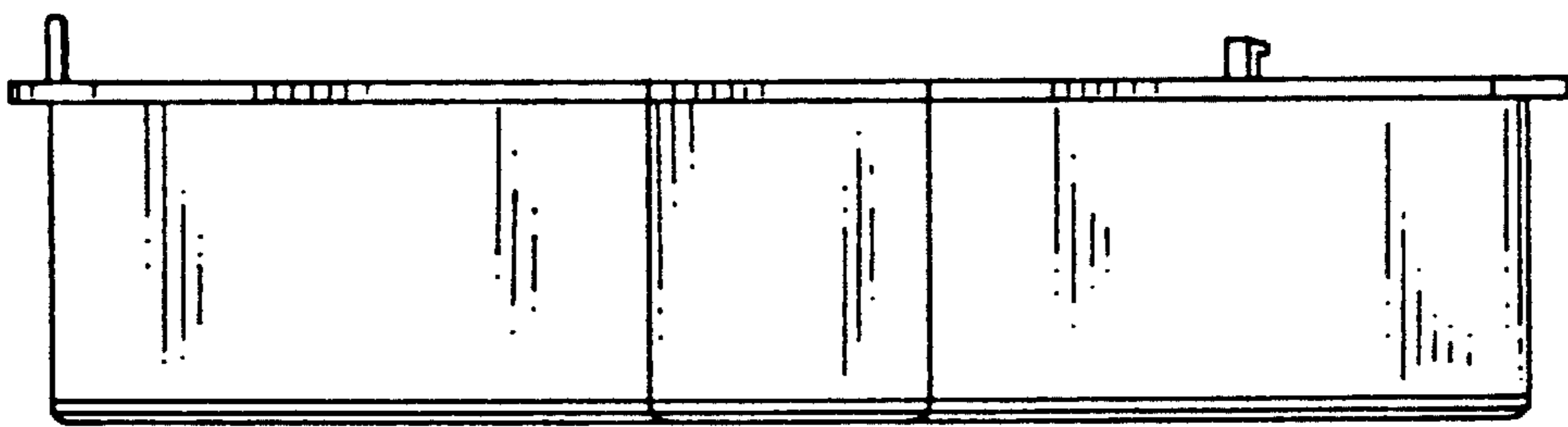


FIG. 2

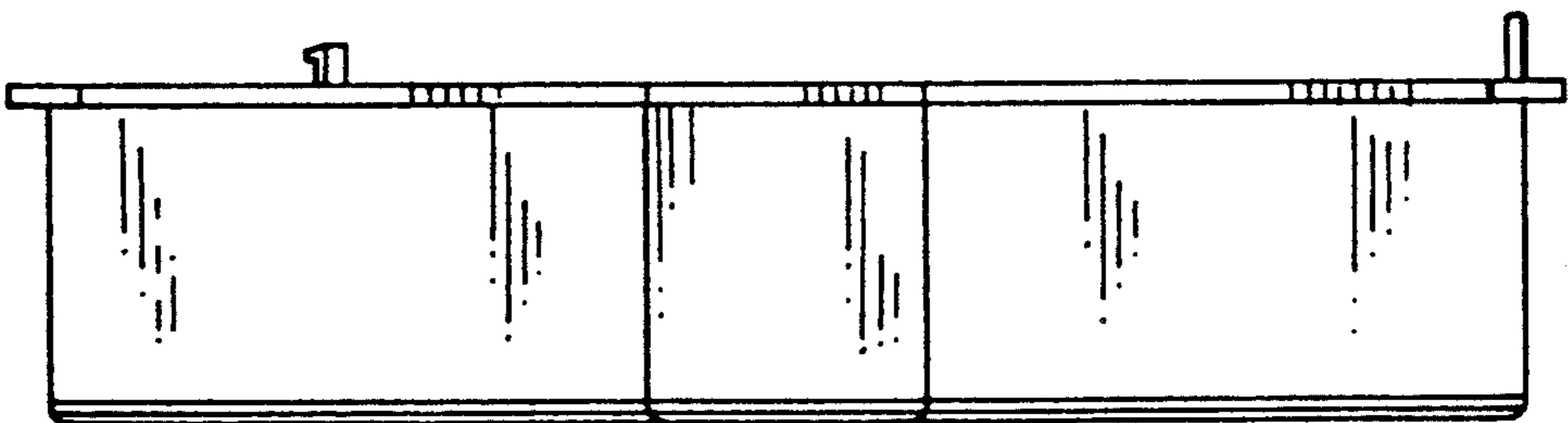


FIG. 3

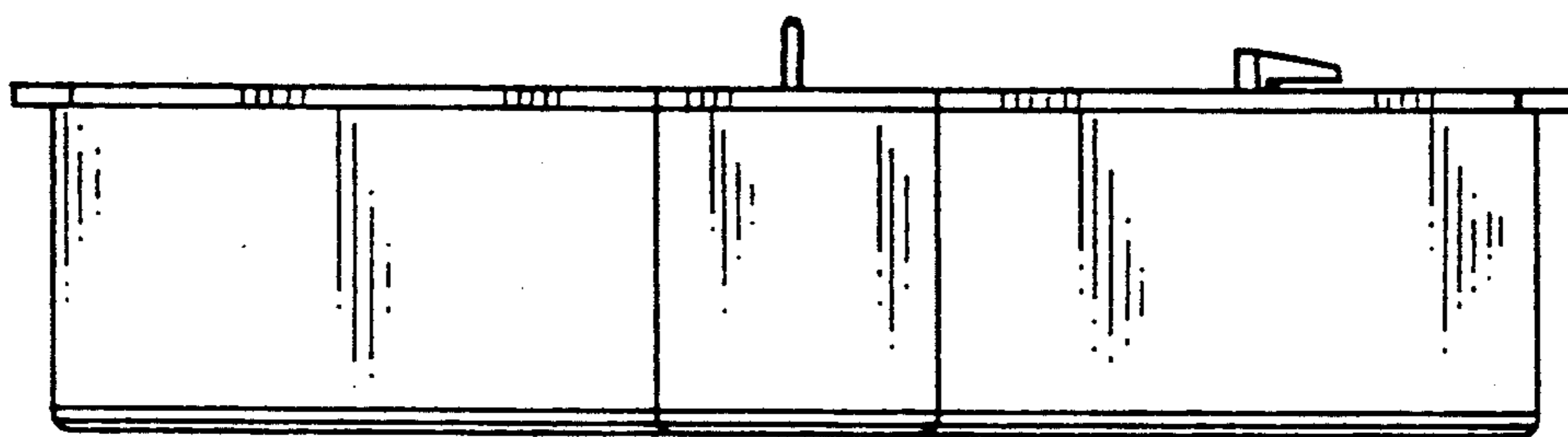


FIG. 4

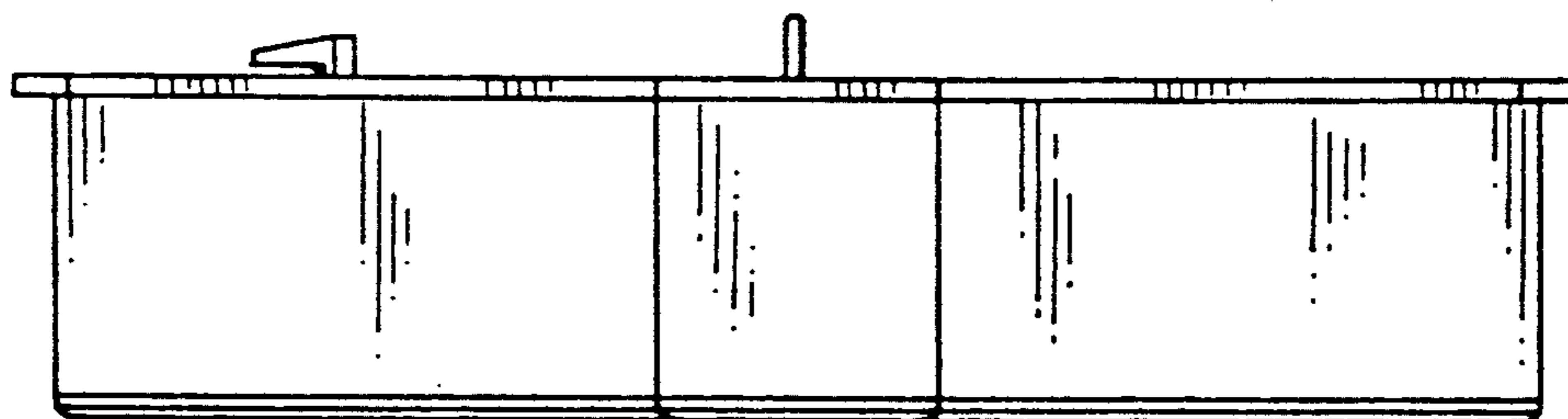


FIG. 5

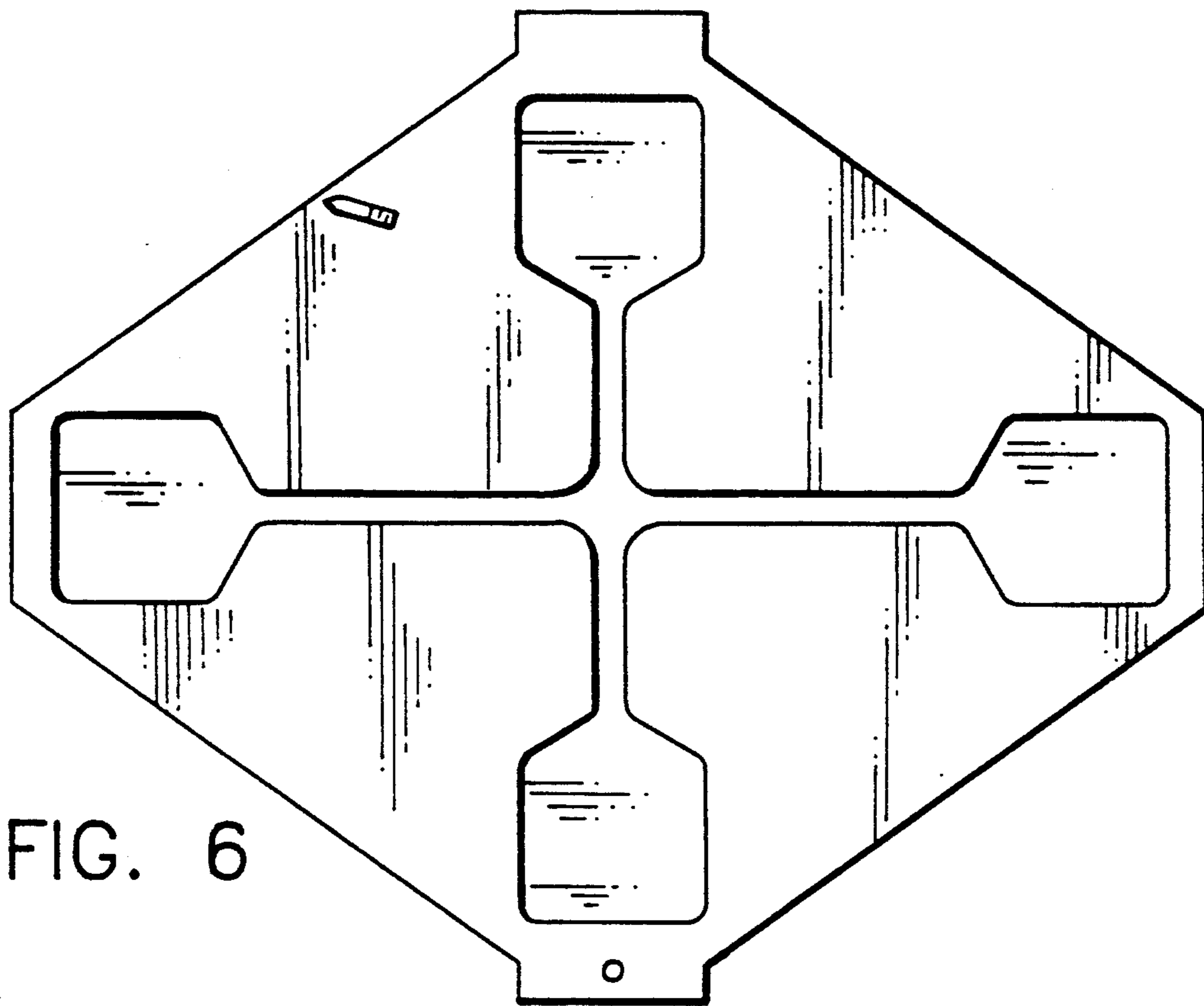


FIG. 6

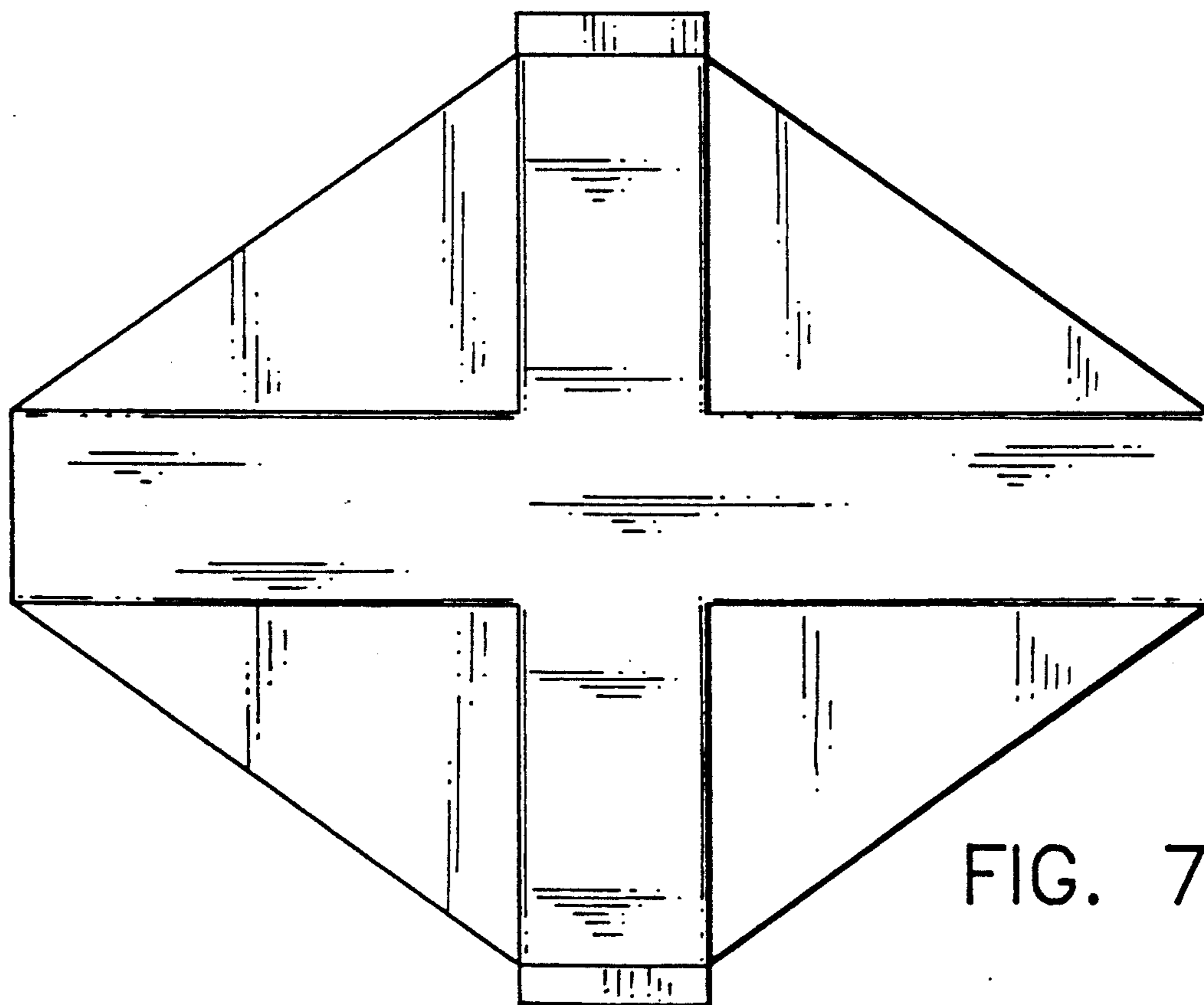


FIG. 7