



US00D347508S

United States Patent [19]

[11] Patent Number: **Des. 347,508**

Kubota et al.

[45] Date of Patent: **** May 31, 1994**

[54] **MAIN BODY OF LEVER-TYPE WINDING MACHINE**

[75] Inventors: **Haruo Kubota; Yoshio Nishi**, both of Osaka-Sayama, Japan

[73] Assignee: **Elephant Chain Block Company Limited**, Osaka, Japan

[**] Term: **14 Years**

[21] Appl. No.: **9,331**

[22] Filed: **Jun. 10, 1993**

Related U.S. Application Data

[63] Continuation of Ser. No. 802,430, Dec. 4, 1991, abandoned.

[30] **Foreign Application Priority Data**

Jun. 6, 1991 [JP] Japan 3-16786

[52] U.S. Cl. **D34/35; D34/33**

[58] Field of Search 254/380, 382, 384, 335, 254/372; D34/28, 33, 35

[56] **References Cited**

U.S. PATENT DOCUMENTS

D. 307,659	5/1990	Kobayashi et al.	D34/33
3,139,268	6/1964	Carroll	254/372
4,251,060	2/1981	Suzuki et al.	254/356
4,260,136	4/1981	Harman et al.	254/380

OTHER PUBLICATIONS

New Equip. Digest, Feb. 1992, p. 25, "Ingersoll-Rand" Material Handling Lever Chain Hoist.

Anchor: "'Mini' Lever Block", Kito Corporation (Aug. 1981).

Asian Sources-Hardwares: Feb. 1983, "Winches, hoists and pullers", Kito Corporation, p. 106.

Sep. 1982, "Boost Sales with Mocal & Senyo Quality", Oriental Machinery Corp, p. 224.

Apr. 1981, "Lightweight, Powerful", Yung Shuo Ent. Co., Ltd.

Apr. 1981, "More Newly Developed Products", Golden King Trade & Development Co., (Taiwan) Ltd.

Jan. 1981, "Give Your Program a Lift", Changhua City Industry Development Co., Ltd., p. 239. -

Primary Examiner—Kay H. Chin

Attorney, Agent, or Firm—Stevens, Davis, Miller & Mosher

[57] **CLAIM**

The ornamental design for a main body of lever-type winding machine, as shown and described.

DESCRIPTION

FIG. 1 is a front view of the main body of lever-type winding machine of our new design;

FIG. 2 is a rear view thereof;

FIG. 3 is a plan view thereof;

FIG. 4 is a bottom view thereof;

FIG. 5 is a right-side elevational view thereof;

FIG. 6 is a left-side elevational view thereof;

FIG. 7 is a front, upper and left-side perspective view thereof; and,

FIG. 8 is a rear, upper and right-side perspective view thereof.

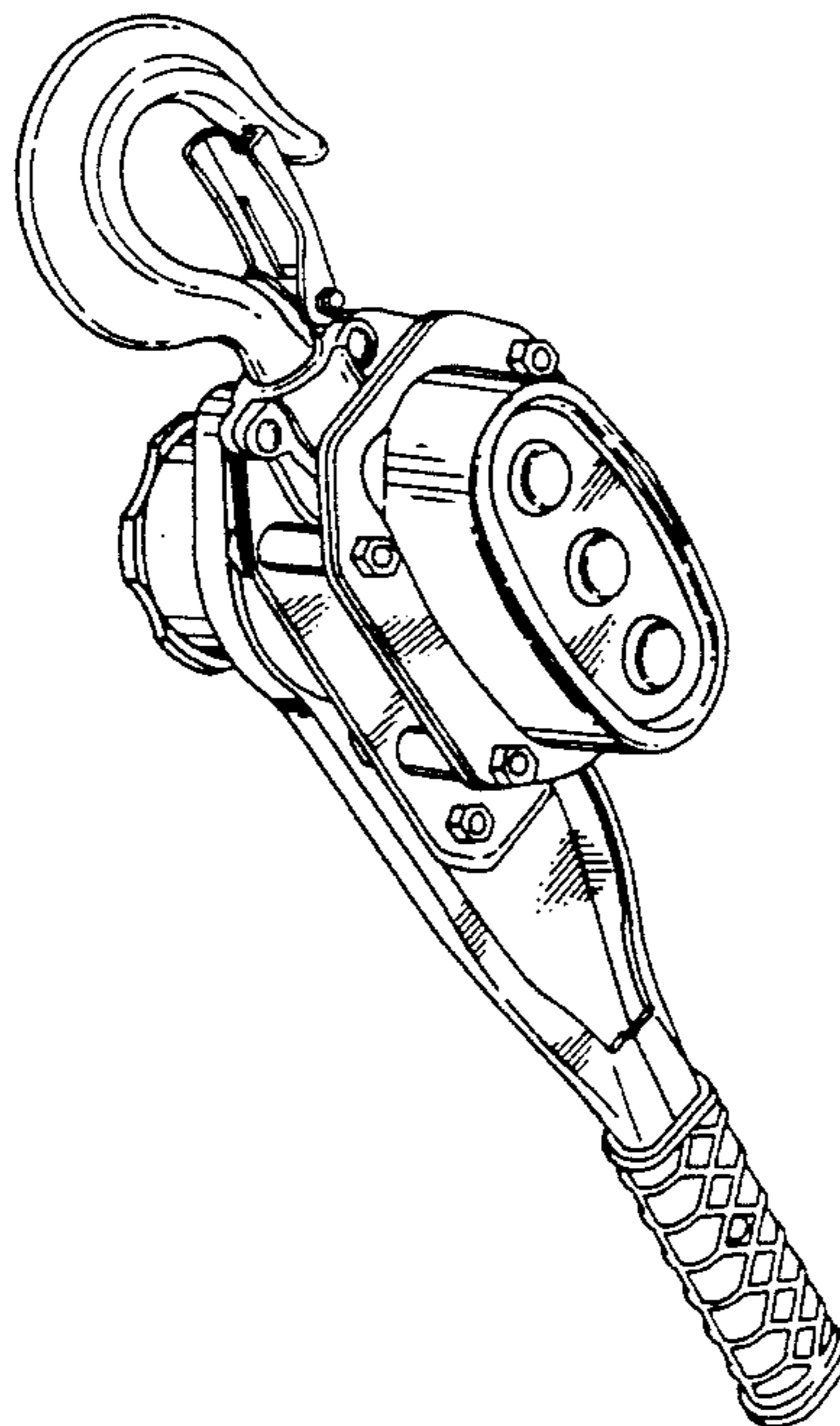


FIG.1

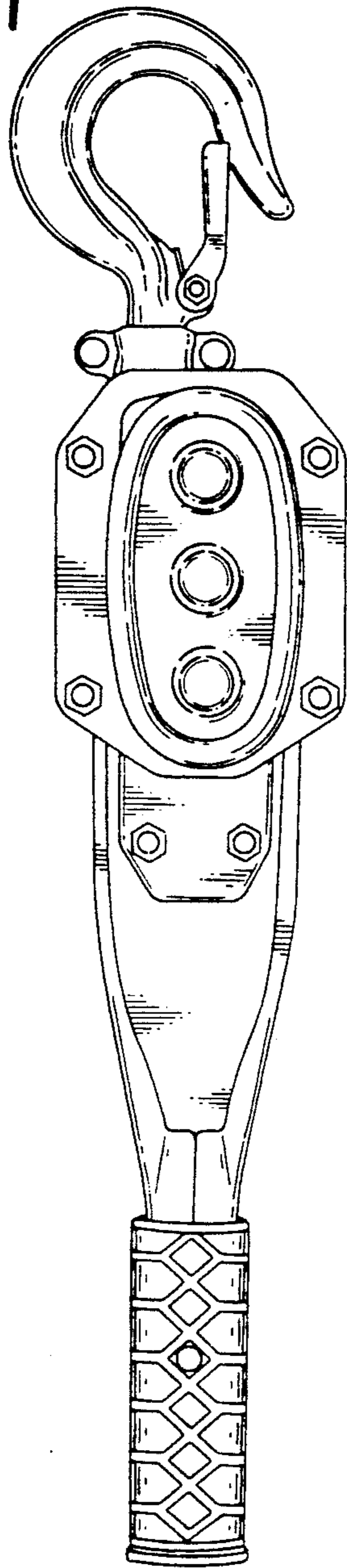


FIG.2

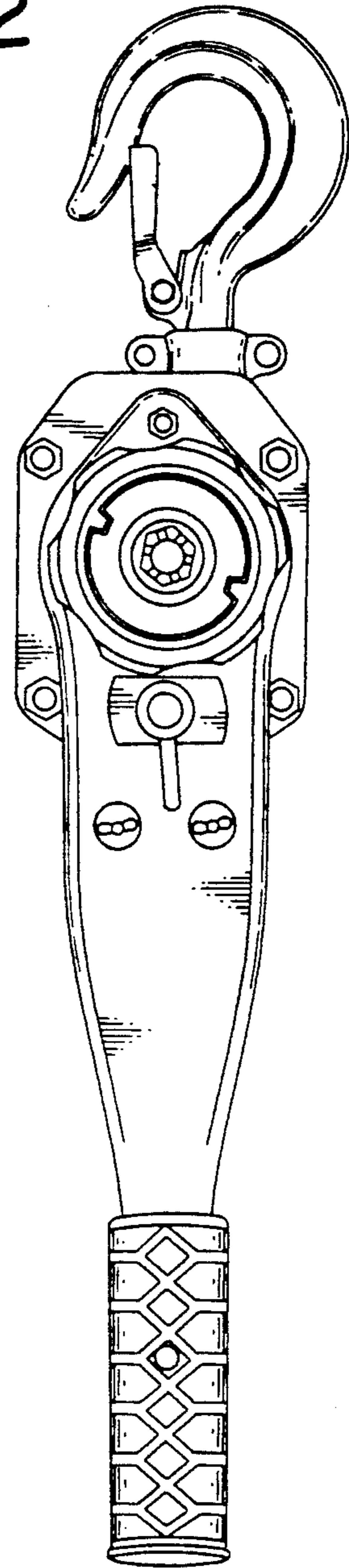


FIG.3

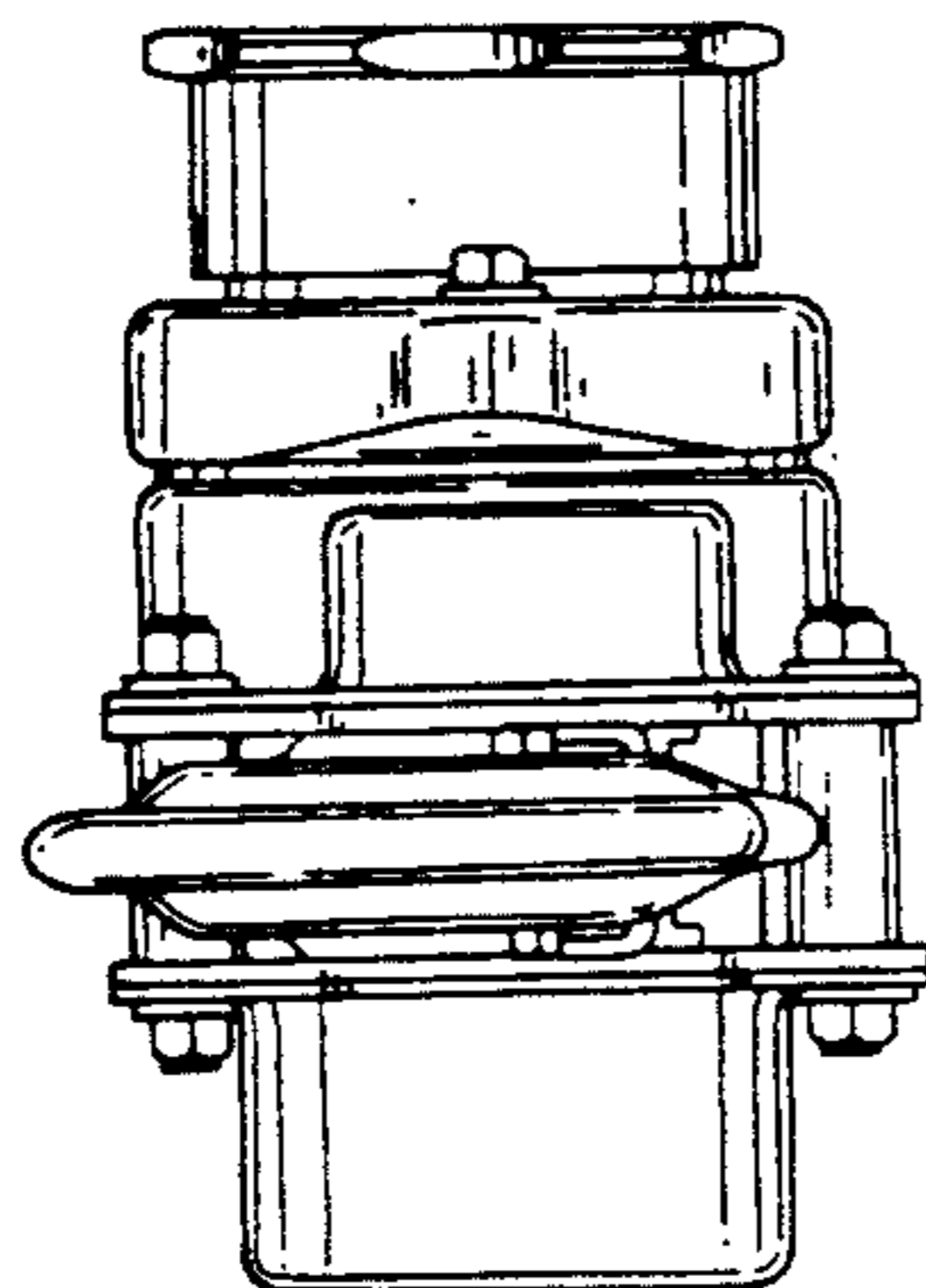


FIG.4

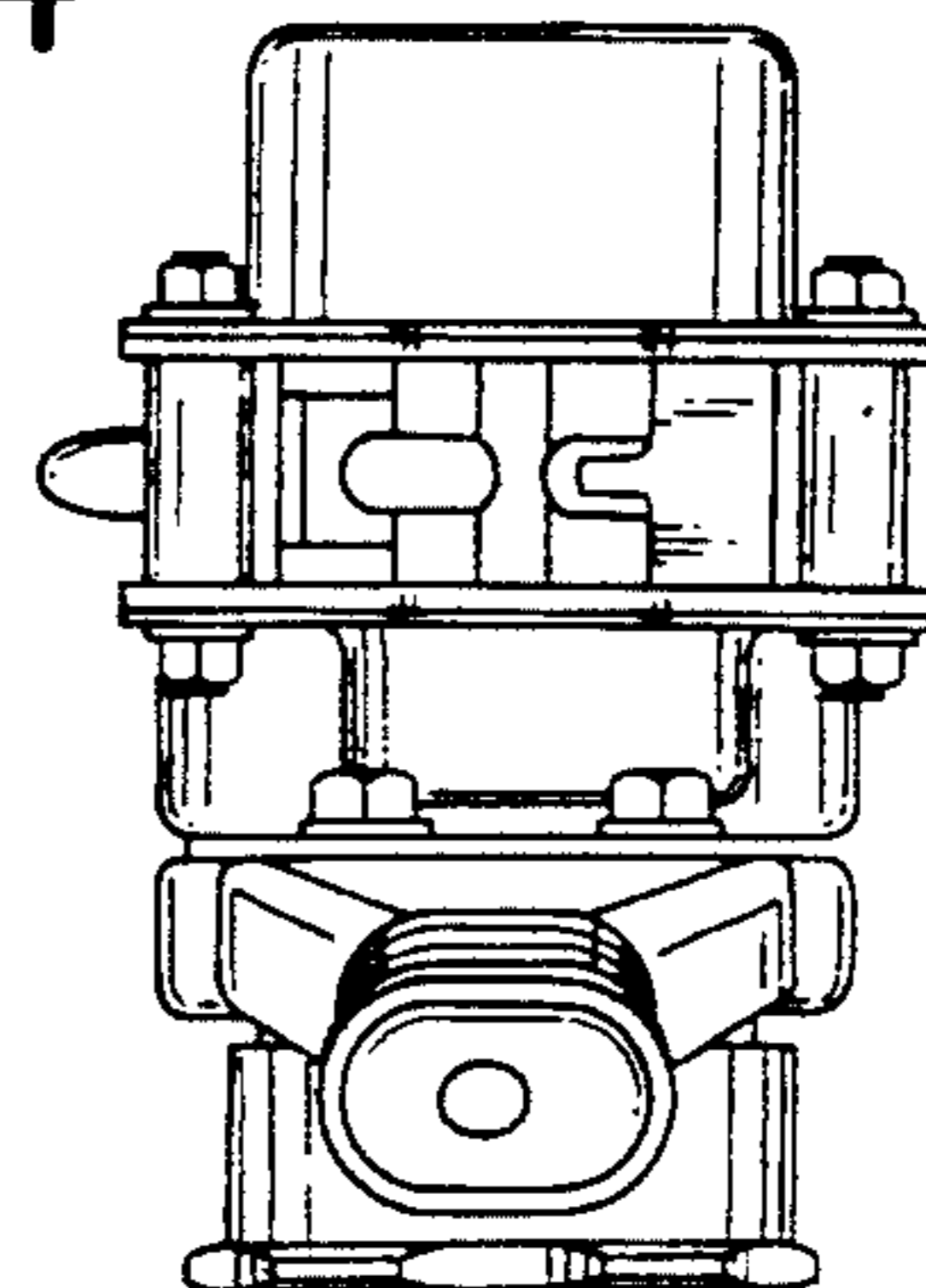


FIG. 5

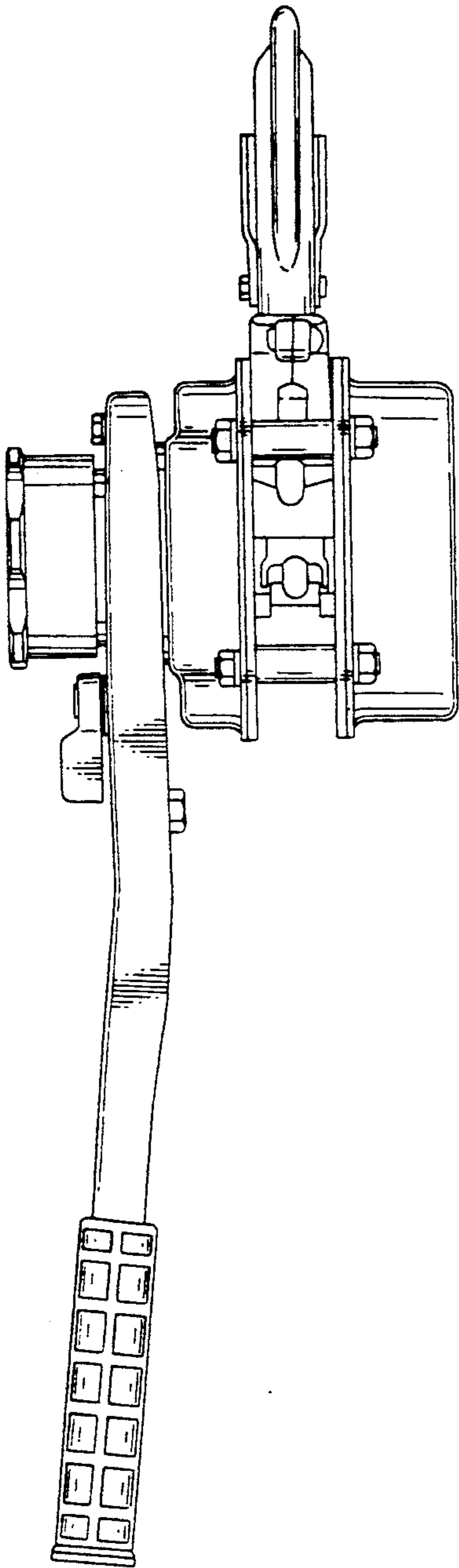


FIG. 6

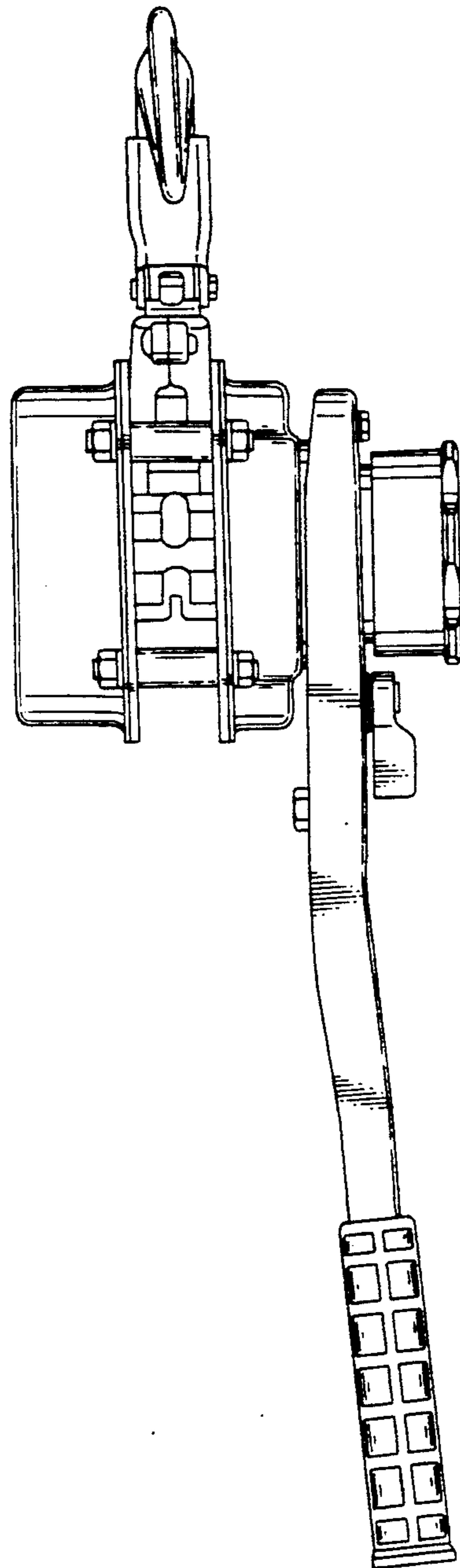


FIG. 7

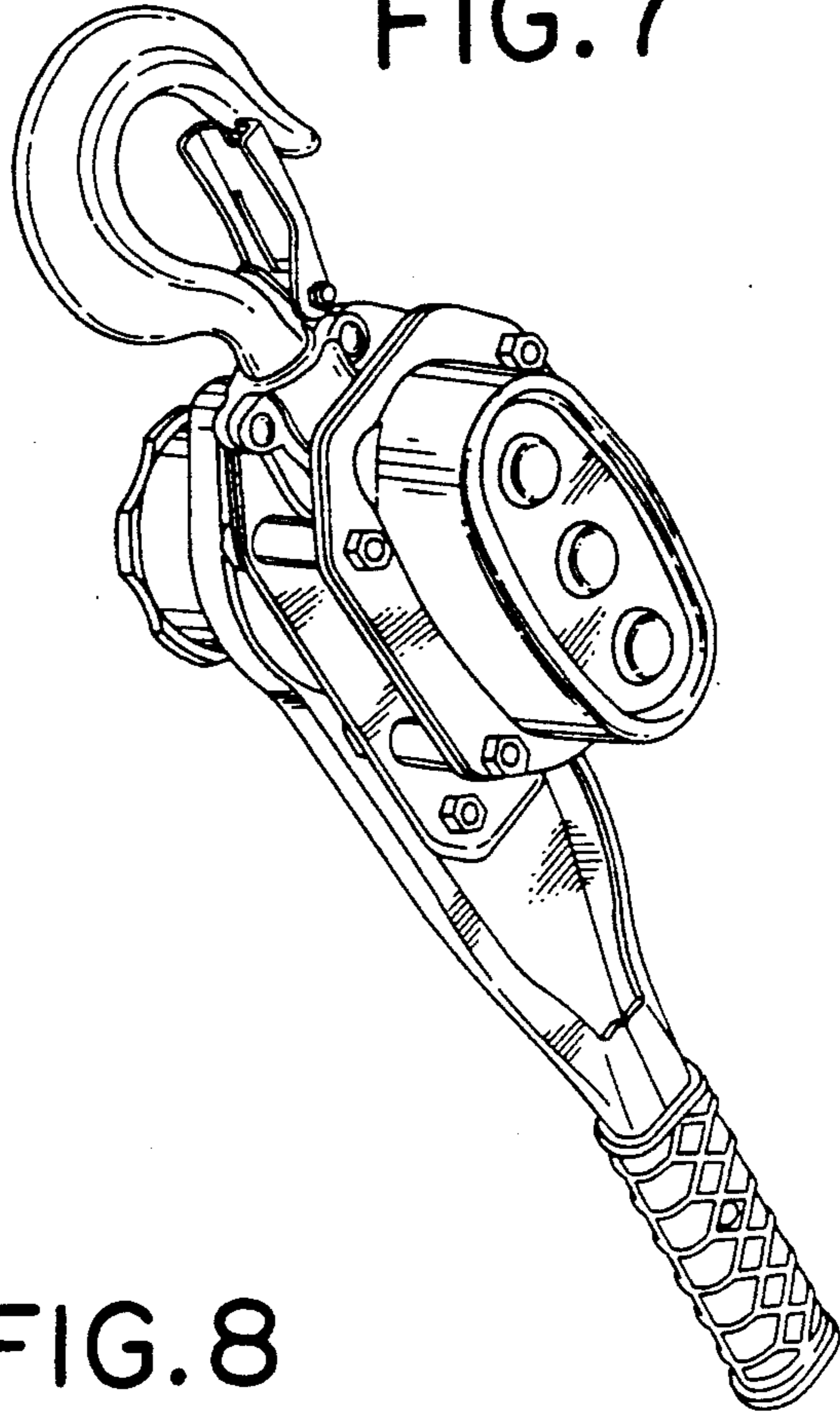


FIG. 8

