



US00D347505S

United States Patent [19]

[11] Patent Number: **Des. 347,505**

Machen et al.

[45] Date of Patent: **** May 31, 1994**

- [54] **MOTORIZED GOLF BAG CART CHASSIS**
- [75] Inventors: **Edmund Machen; Edgar Montague; James Machen**, all of Charlotte, N.C.
- [73] Assignee: **Kangaroo Products Company**, Columbus, N.C.
- [**] Term: **14 Years**
- [21] Appl. No.: **2,328**
- [22] Filed: **Dec. 4, 1992**
- [52] U.S. Cl. **D34/15**
- [58] Field of Search :..... 280/62, 646, 645, DIG. 5, 280/DIG. 6; 180/19.1, 19.2, 19.3, 65.6; D34/15

©1991 Delivery in Canada”, distributed in Oct. 1991 in Canada.

Kangaroo Products Co. brochure, ©1990, especially Hillcrest model, pp. 8-13.

Primary Examiner—Wallace R. Burke
Assistant Examiner—Melody Brown
Attorney, Agent, or Firm—Saidman DesignLaw Group

[56] **References Cited**

U.S. PATENT DOCUMENTS

- D. 300,577 4/1989 Pope et al. D34/15
- D. 321,964 11/1991 Alterbaum D34/15
- 3,550,999 12/1970 Bogan 280/47.19
- 5,106,112 4/1992 Sargent 280/47.19
- 5,193,842 2/1993 Fonterot D34/15

OTHER PUBLICATIONS

Kangaroo Cadet flyer (K-29) “New for Spring, 1992,

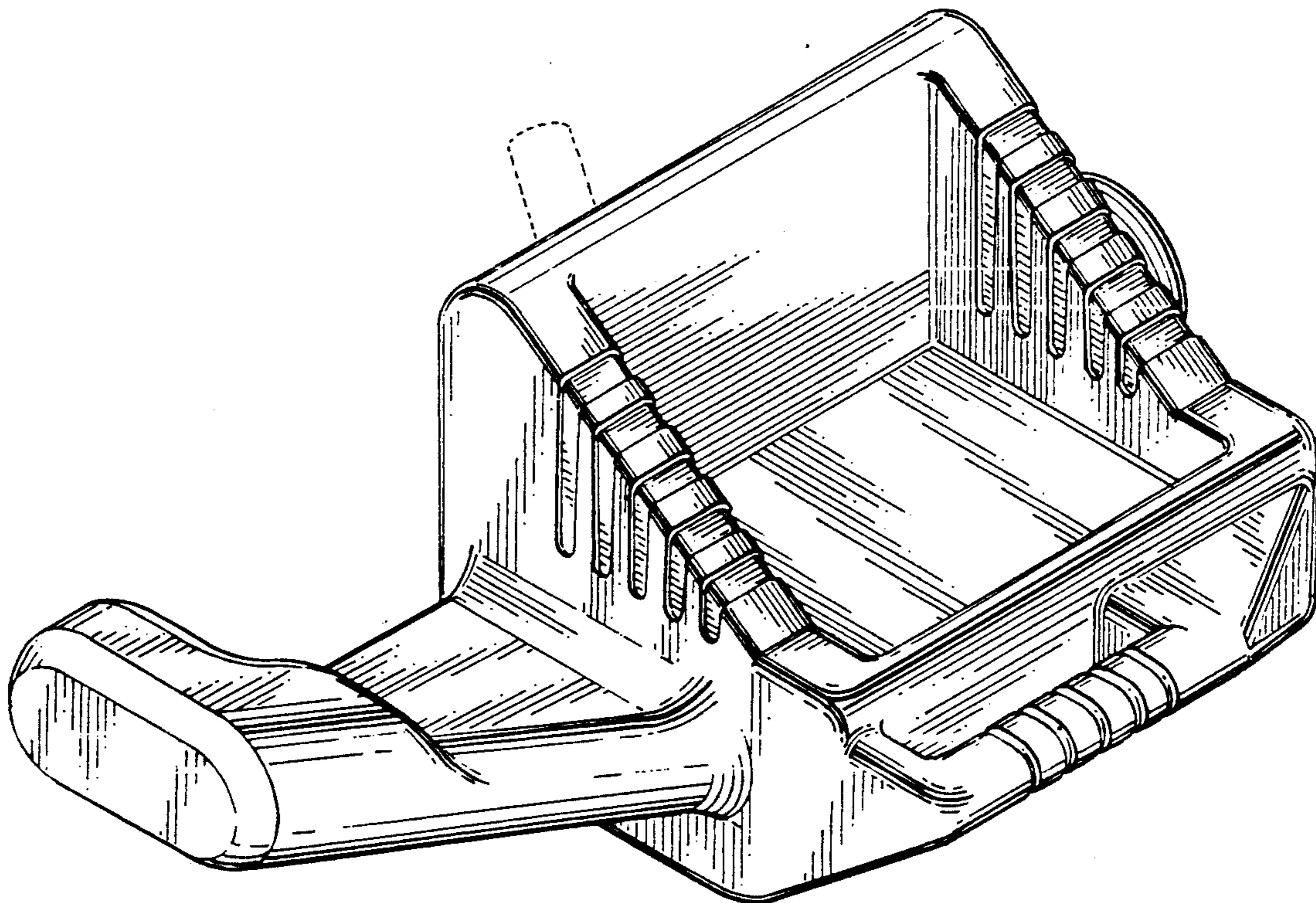
[57] **CLAIM**

The ornamental design for a motorized golf bag cart chassis, as shown and described.

DESCRIPTION

FIG. 1 is a front, right side perspective view of a motorized golf bag cart chassis showing our new design; FIG. 2 is a front view in elevation thereof; FIG. 3 is a top plan view thereof; FIG. 4 is a right side view in elevation thereof; FIG. 5 is a left side view in elevation thereof; FIG. 6 is a rear view in elevation thereof; and, FIG. 7 is a bottom plan view thereof.

The broken lines shown in all drawing views are for illustrative purposes only and form no part of the claimed design.



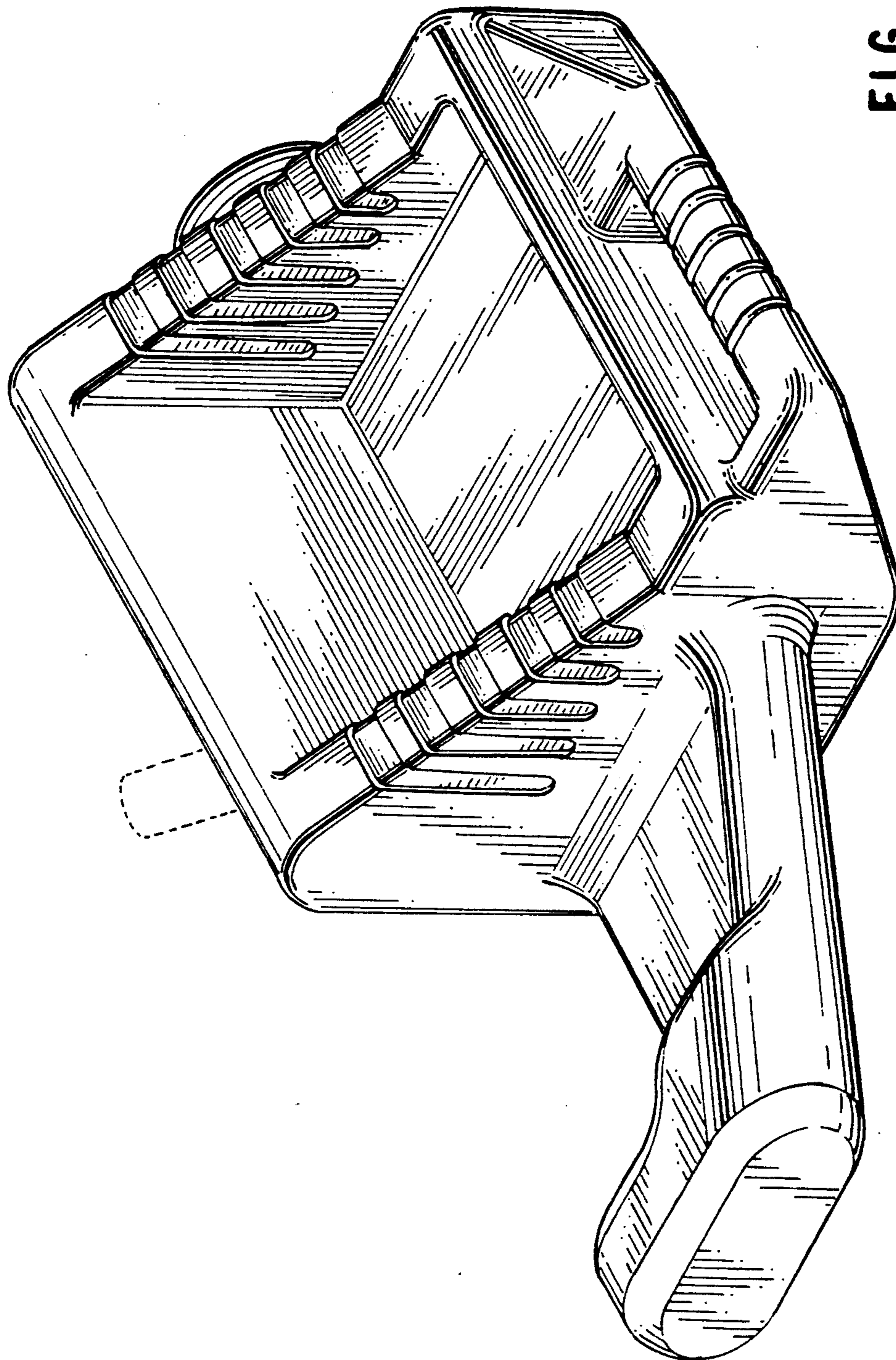


FIG. 1

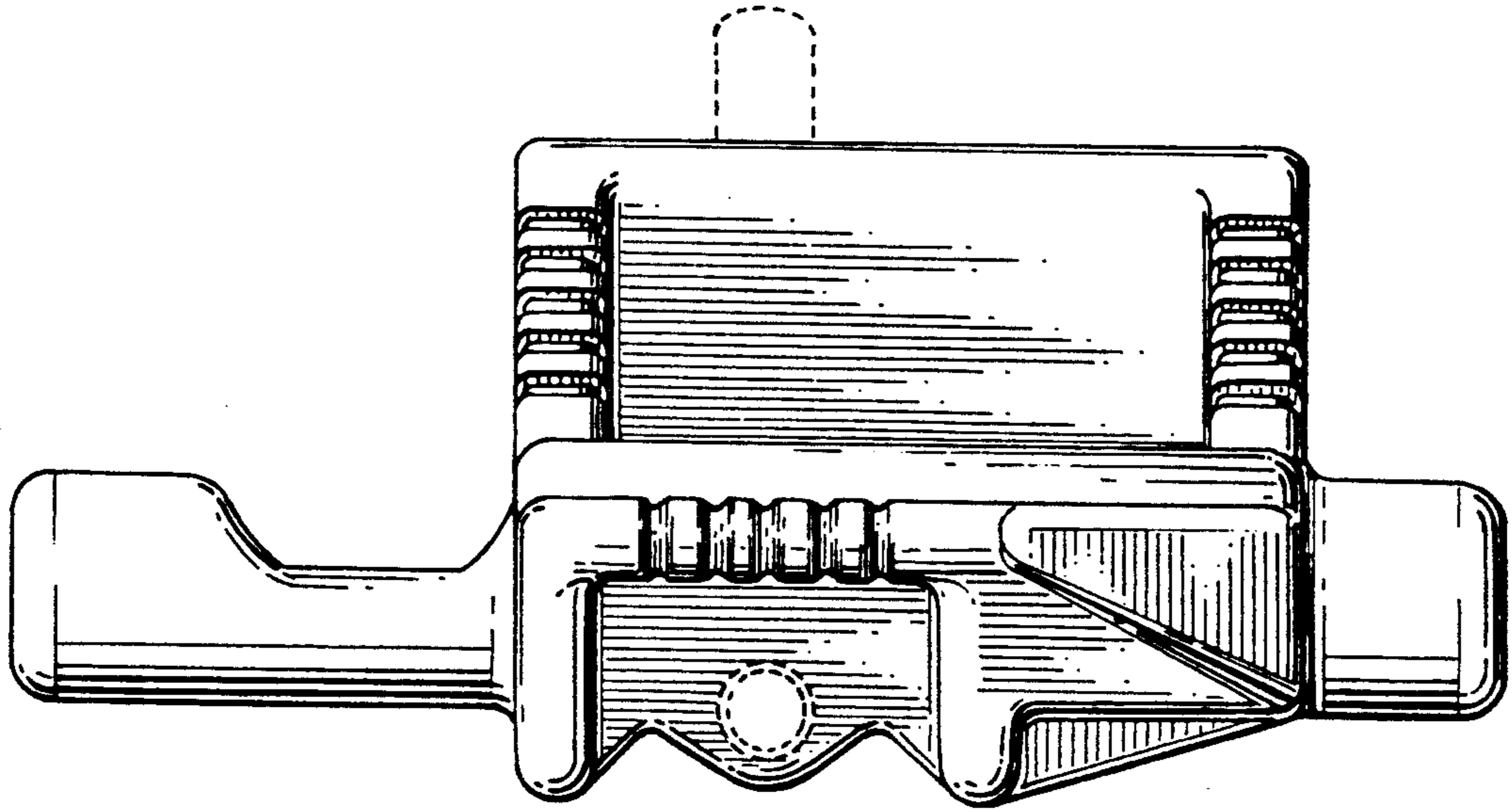
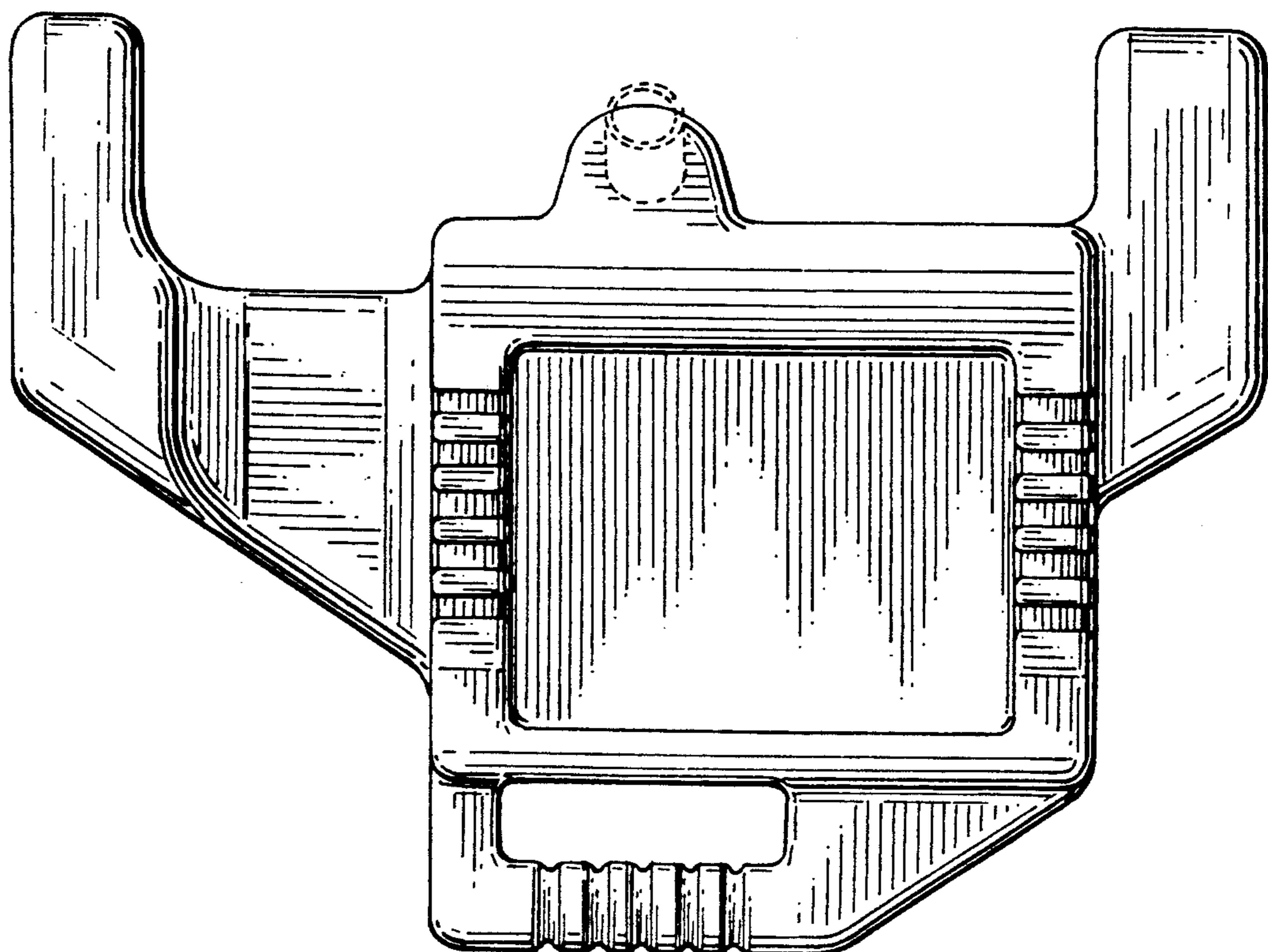


FIG. 2

FIG. 3



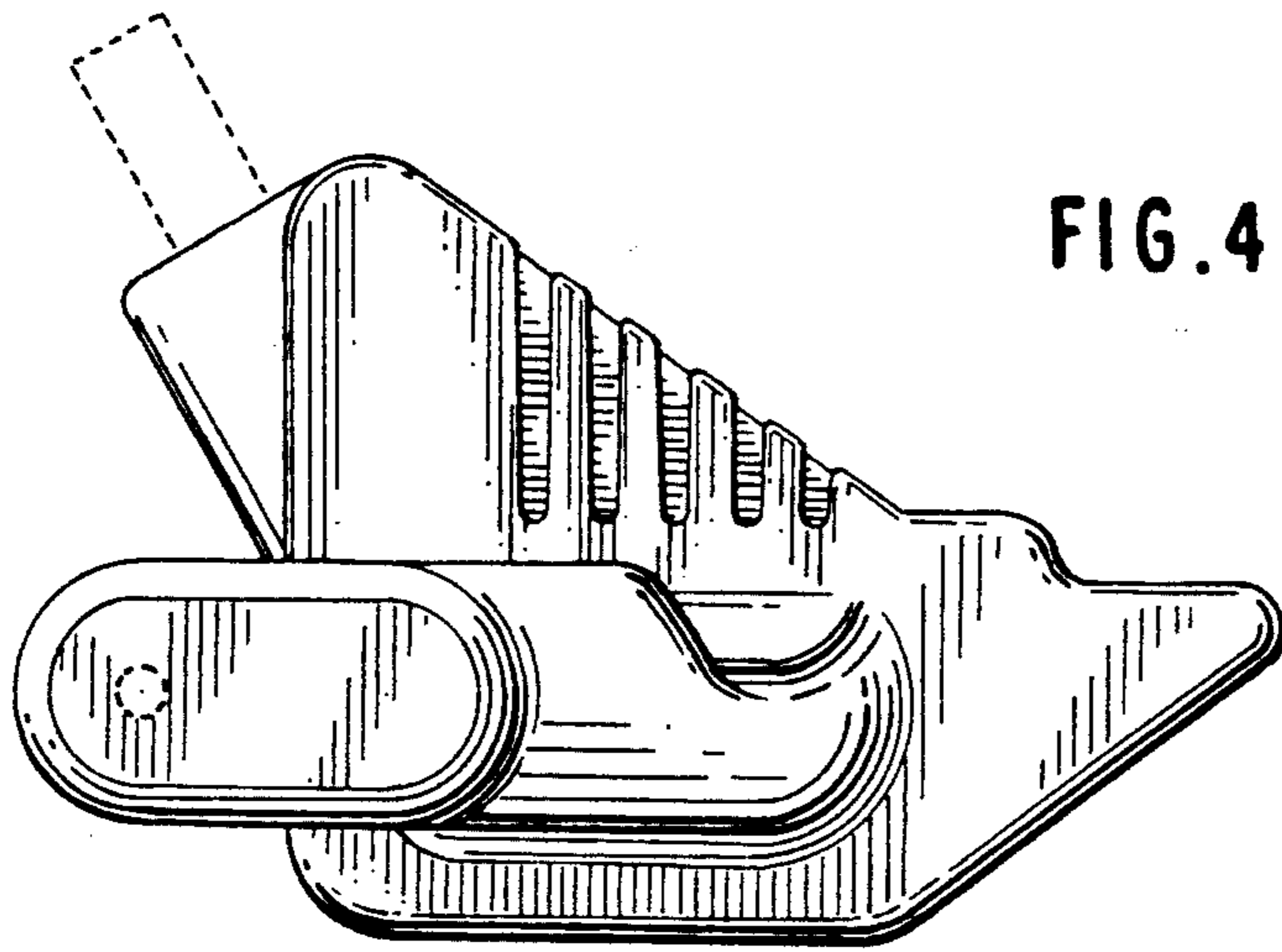


FIG. 4

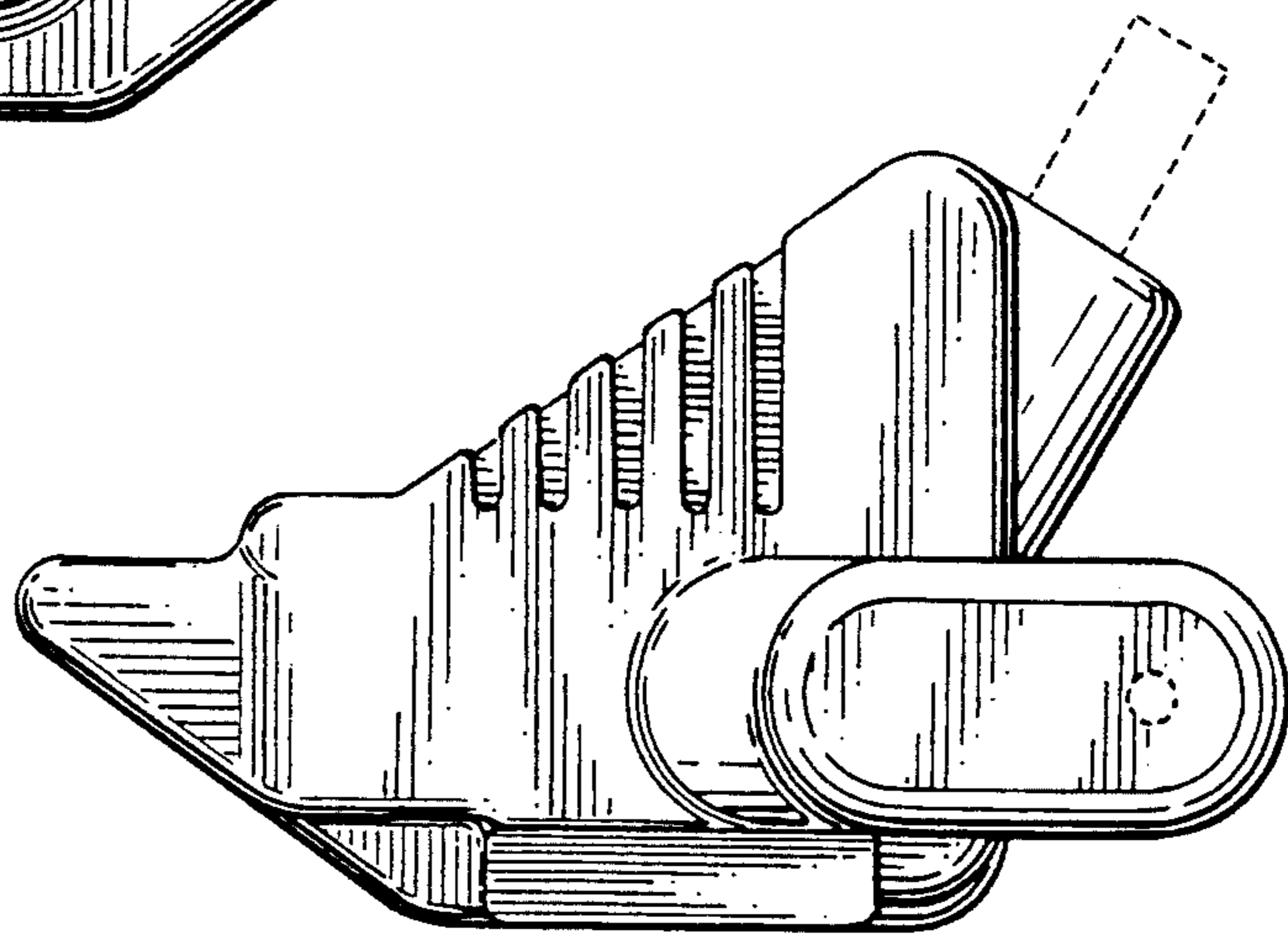


FIG. 5

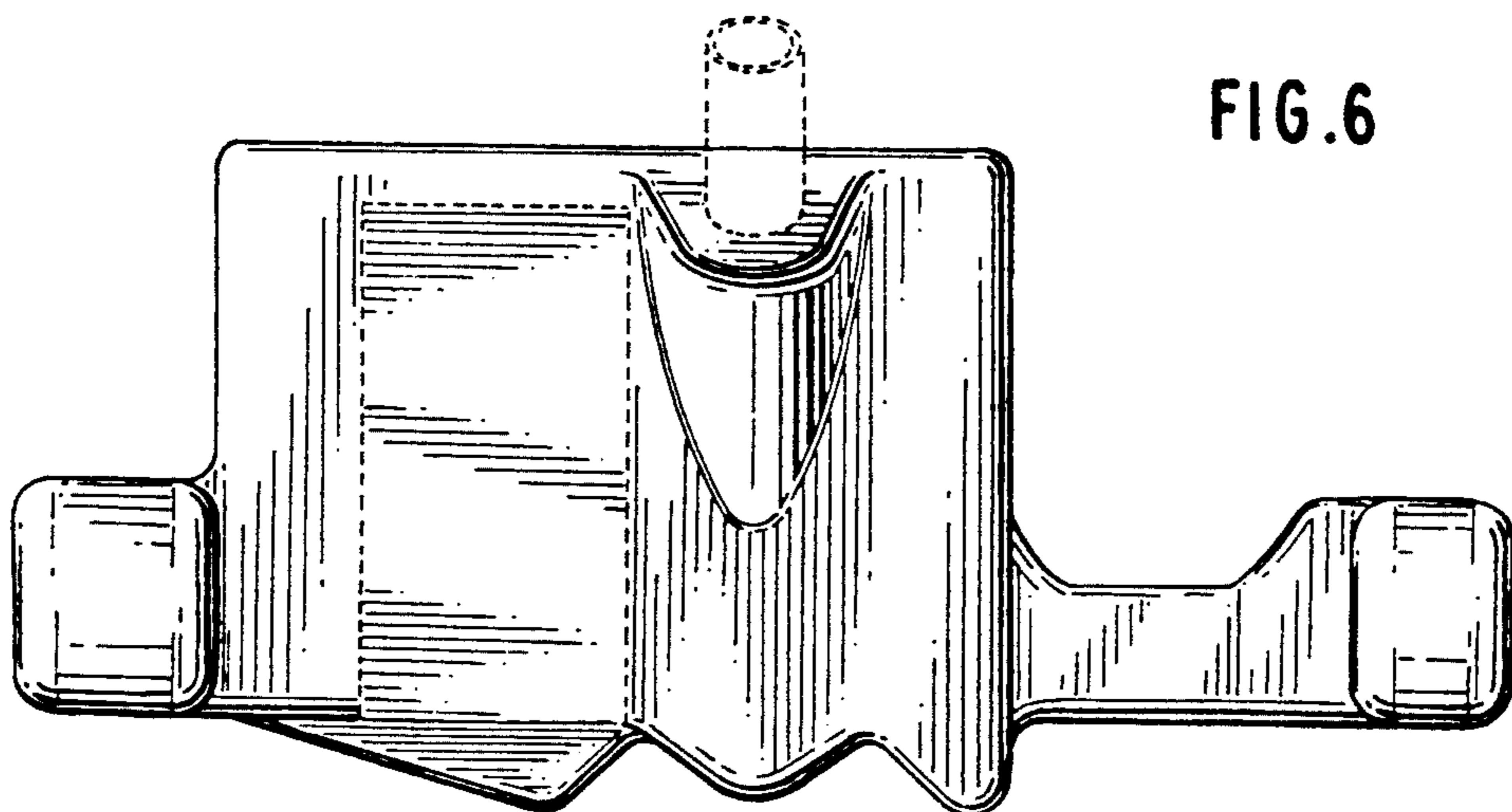


FIG. 6

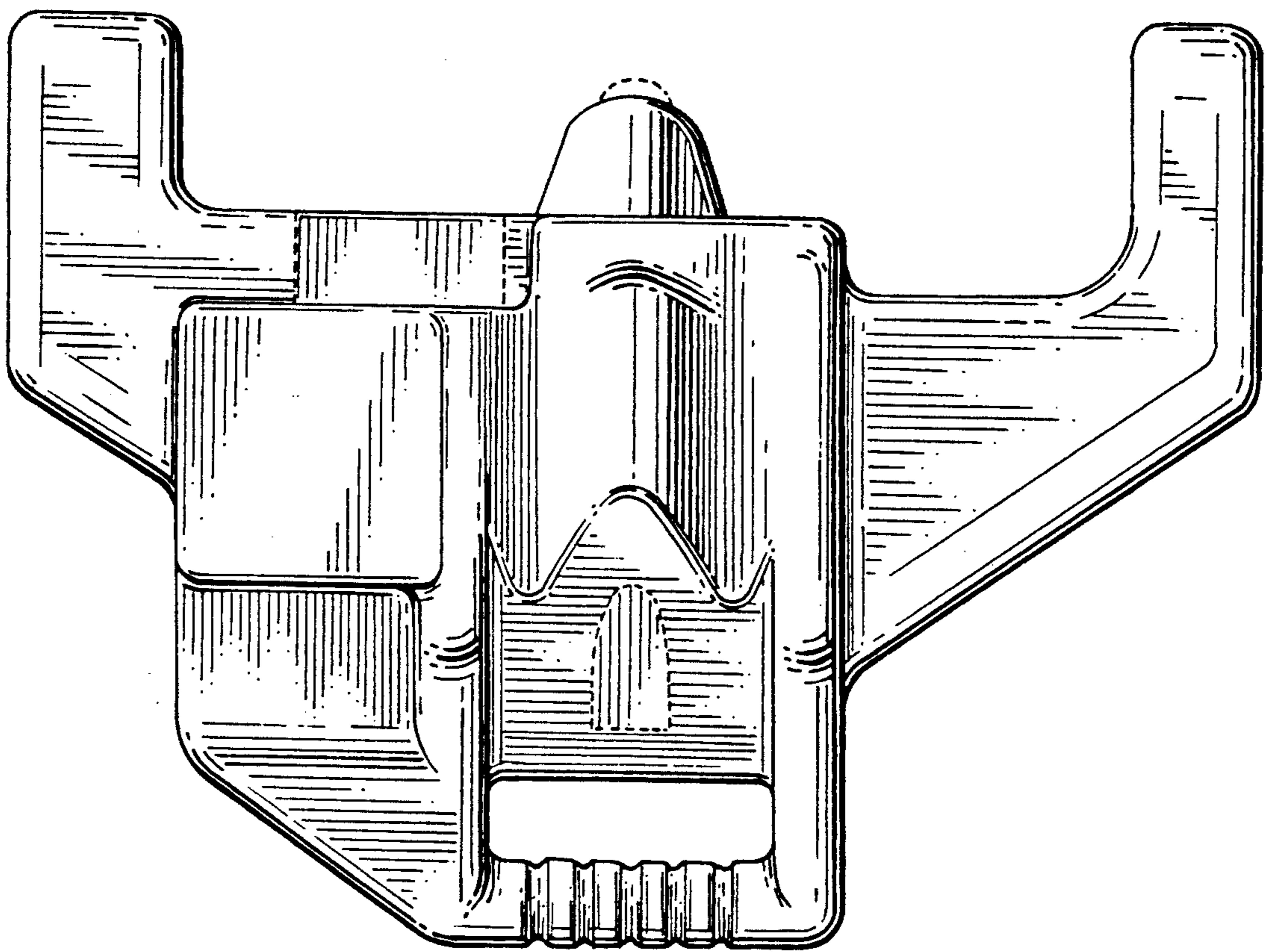


FIG. 7