



US00D347502S

United States Patent [19]

[11] Patent Number: **Des. 347,502**

Mazza

[45] Date of Patent: **** May 31, 1994**

[54] **MICRO AUTOMOBILE RAMP**

4,103,870 8/1978 Murakami 254/88
4,776,548 10/1988 Bezenek 248/188.2

[76] Inventor: **Stephen D. Mazza**, 140 River St.,
Milton, Vt. 05468

Primary Examiner—Kay H. Chin
Attorney, Agent, or Firm—Thomas N. Neiman

[**] Term: **14 Years**

[57] **CLAIM**

[21] Appl. No.: **3,255**

The ornamental design for a micro automobile ramp, as shown and described.

[22] Filed: **Jan. 4, 1993**

[52] U.S. Cl. **D34/32**

DESCRIPTION

[58] Field of Search 254/88; 248/188.2;
152/213 R; 14/69.5; D34/32, 28

FIG. 1 is a side elevational view of the micro automobile ramp showing my new design, the opposite side view being a mirror image of that shown; FIG. 2 is a frontal elevational view thereof; FIG. 3 is a rear elevational view thereof; FIG. 4 is a top plan view thereof; FIG. 5 is a bottom plan view thereof; and, FIG. 6 is a top perspective view thereof.

[56] **References Cited**

U.S. PATENT DOCUMENTS

D. 237,162 10/1975 Miller D34/32
D. 239,610 4/1976 Miller D34/32
3,990,681 11/1976 McKeen, Sr. 254/88

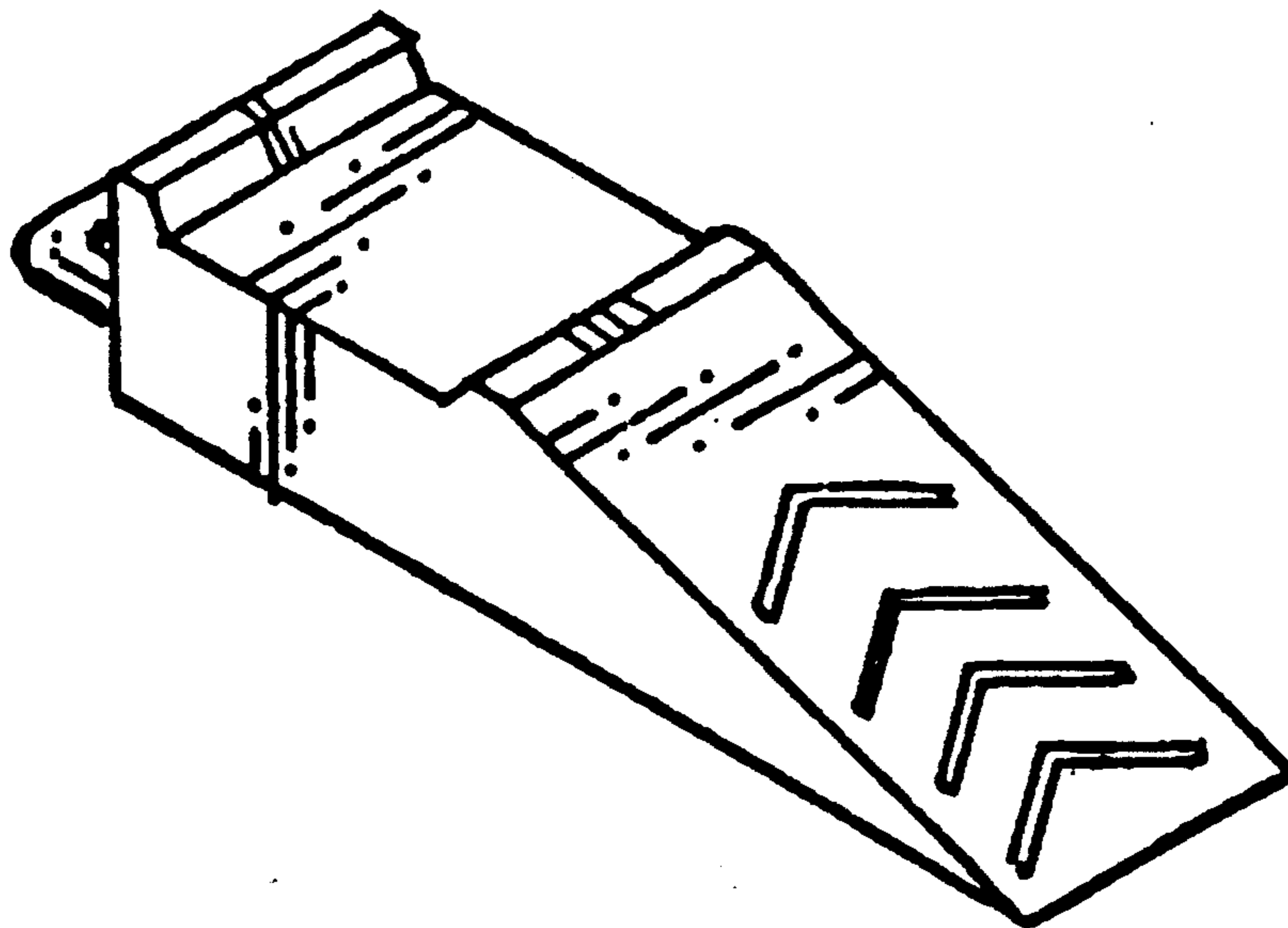


FIG. 4

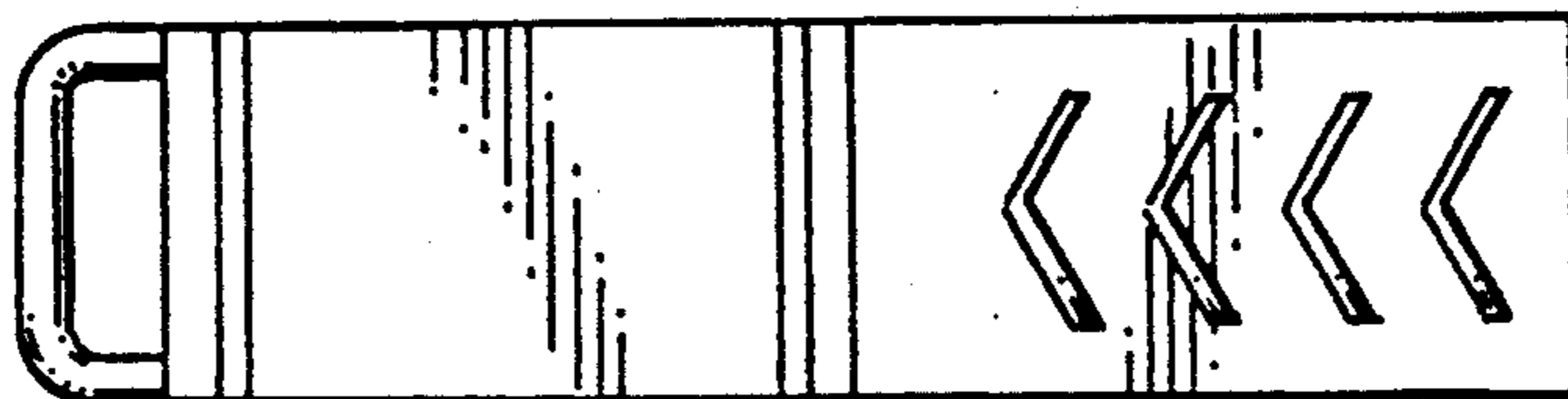


FIG. 3

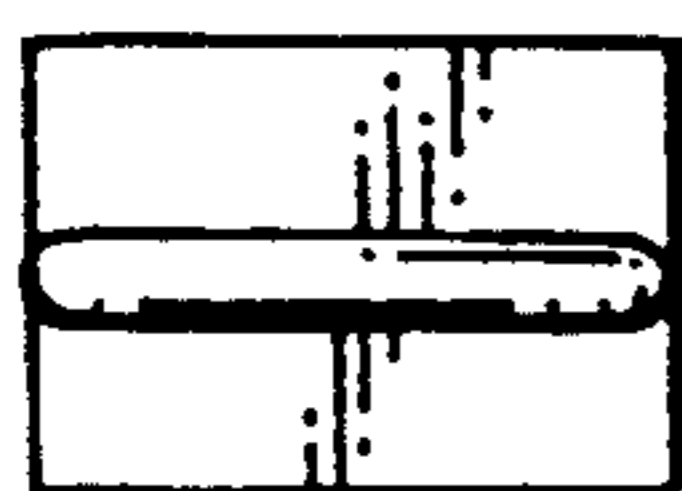


FIG. 1



FIG. 2

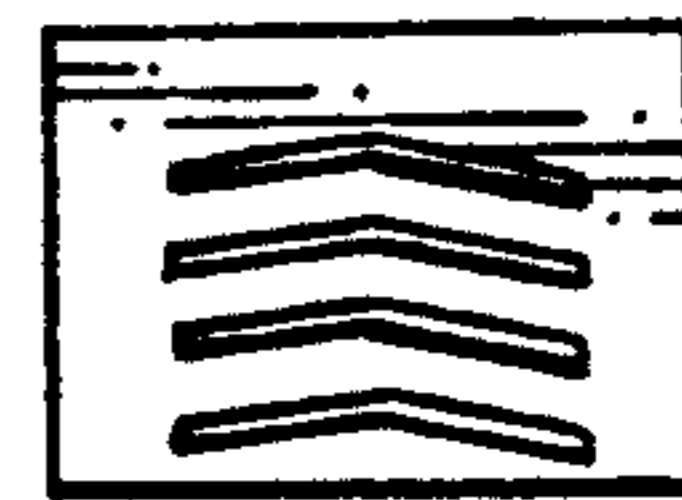


FIG. 5

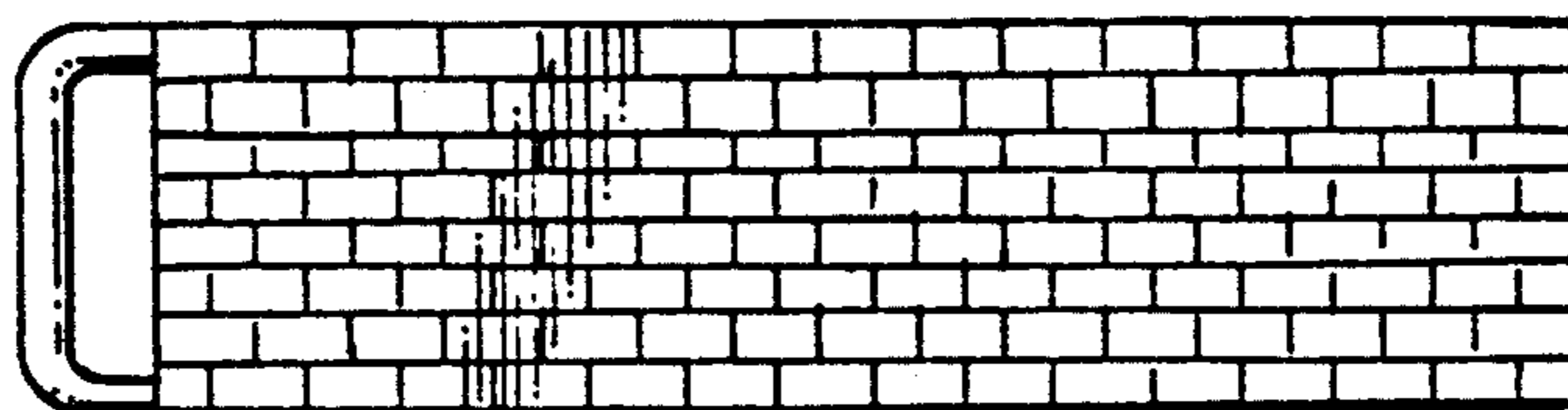


FIG. 6

