



US00D347501S

United States Patent [19]

[11] Patent Number: **Des. 347,501**

Chapman

[45] Date of Patent: **** May 31, 1994**

[54] **EXPANDABLE SUPPORT PEDESTAL FOR A CAMERA**

D. 315,817	3/1991	Healy	D34/23
2,484,982	10/1949	Coutant	352/243
2,719,043	9/1955	Oppenheimer	280/47.11
4,094,484	6/1978	Gallone	248/162
4,657,267	4/1987	Taumann et al.	280/47.11

[75] Inventor: **Leonard T. Chapman**, North Hollywood, Calif.

[73] Assignee: **Leonard Studio Equipment, Inc.**, North Hollywood, Calif.

Primary Examiner—Melvin B. Feifer
Assistant Examiner—Adir Aronovich
Attorney, Agent, or Firm—Lyon & Lyon

[**] Term: **14 Years**

[57] **CLAIM**

[21] Appl. No.: **761,039**

The ornamental design for an expandable support pedestal for a camera, as shown and described.

[22] Filed: **Sep. 16, 1991**

DESCRIPTION

Related U.S. Application Data

[63] Continuation-in-part of Ser. No. 591,527, Oct. 1, 1990, Pat. No. Des. 338,030.

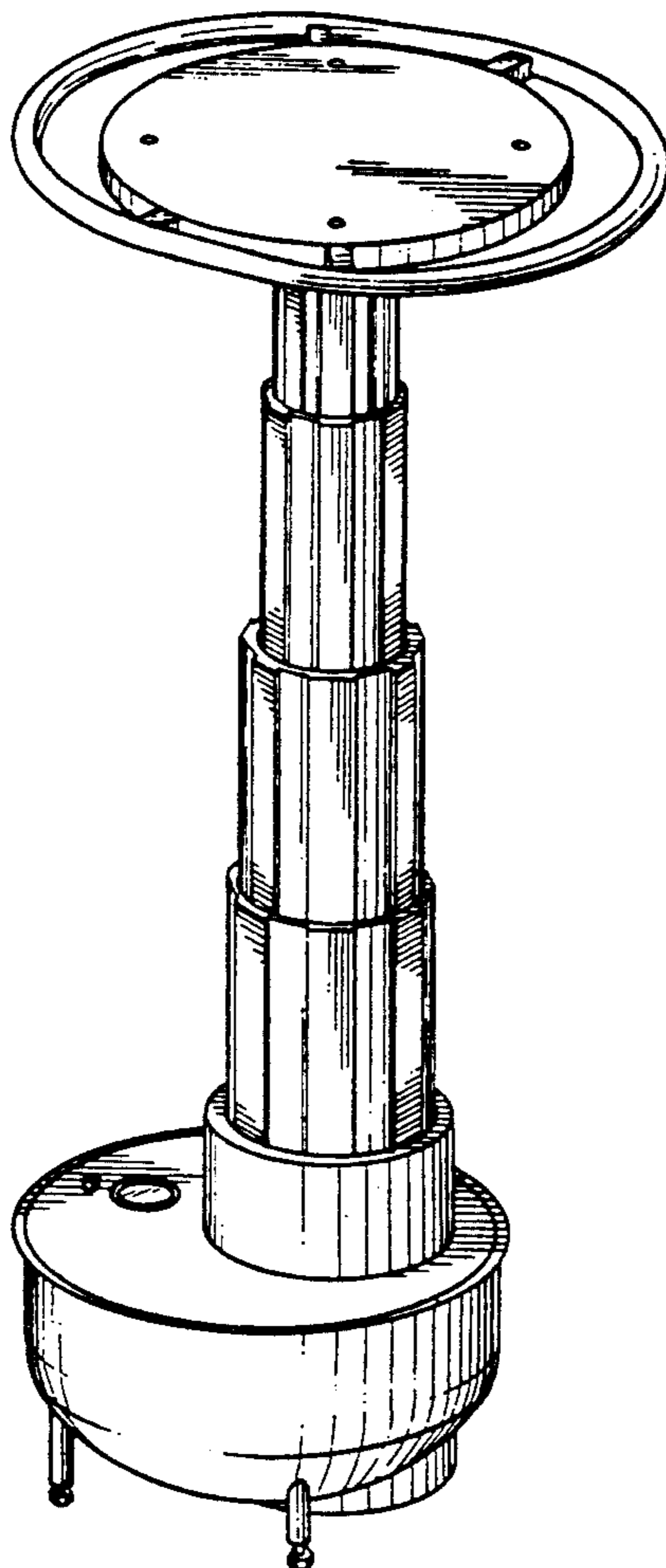
FIG. 1 is a perspective view of the expandable support pedestal for a camera showing my new design; FIG. 2 is a left side view thereof; FIG. 3 is a right side view thereof; FIG. 4 is a front view thereof; FIG. 5 is a rear view thereof; FIG. 6 is a top view thereof; FIG. 7 is a bottom view thereof; and, FIG. 8 is a perspective view thereof with the expandable support pedestal for a camera in a collapsed position.

[52] U.S. Cl. **D16/242; D34/23**
[58] Field of Search 248/123.1, 162, 170, 248/171, 183; 280/47.11; 352/243; 354/81, 293; D16/242, 244, 245; D34/23, 28

[56] **References Cited**

U.S. PATENT DOCUMENTS

D. 160,681 10/1950 Wilcox et al. D16/242



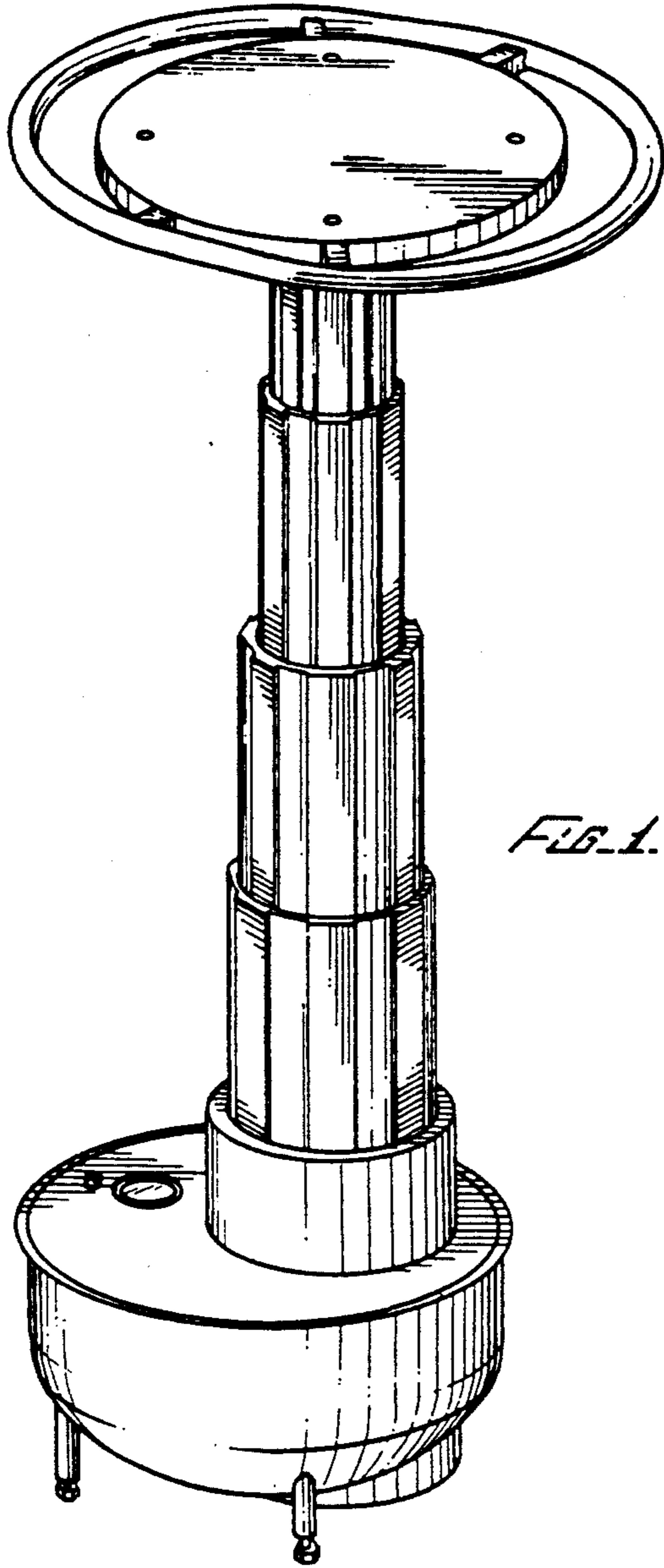


FIG. 1.

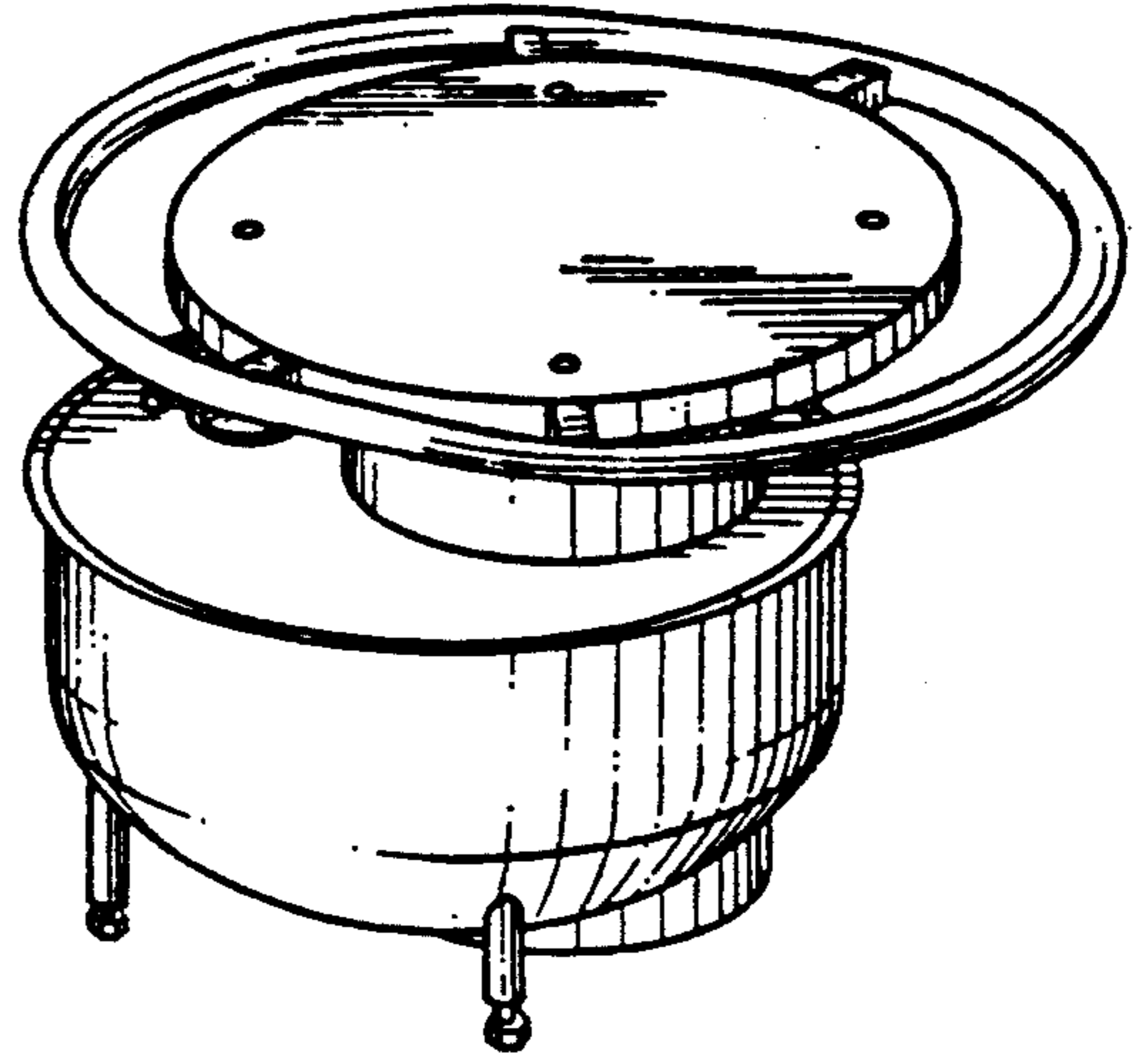


FIG. 8.

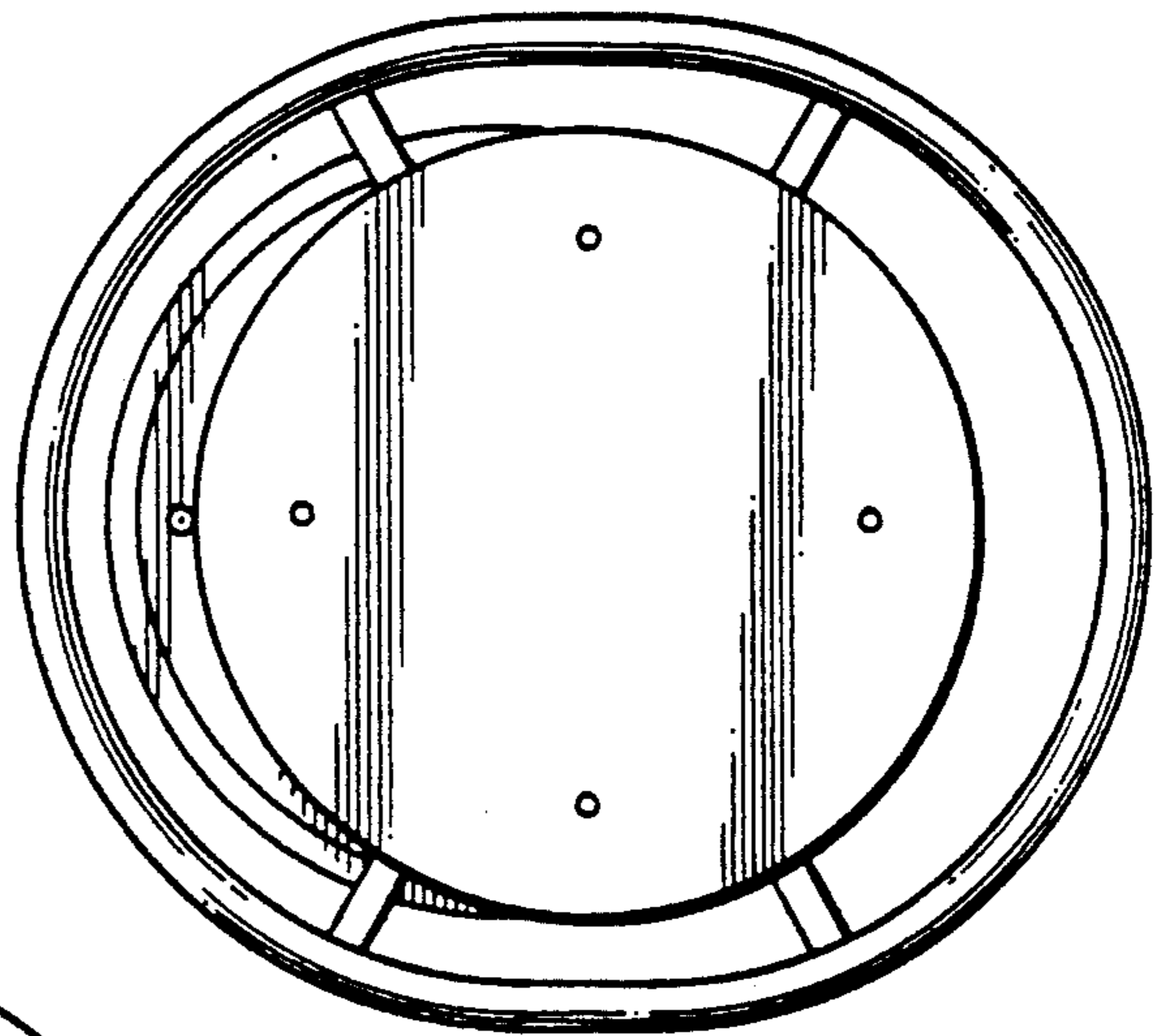


FIG. 6.

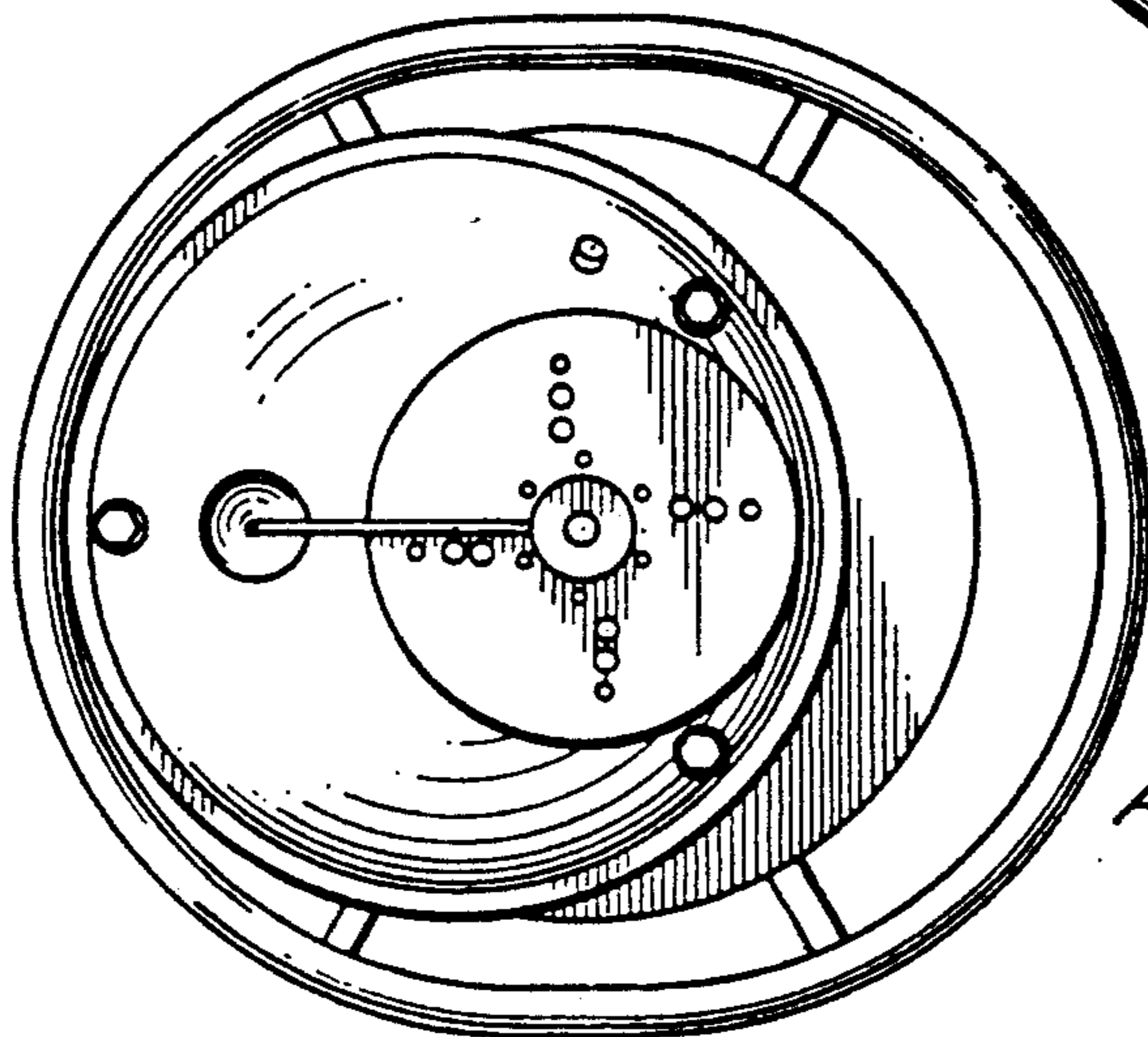


FIG. 2.

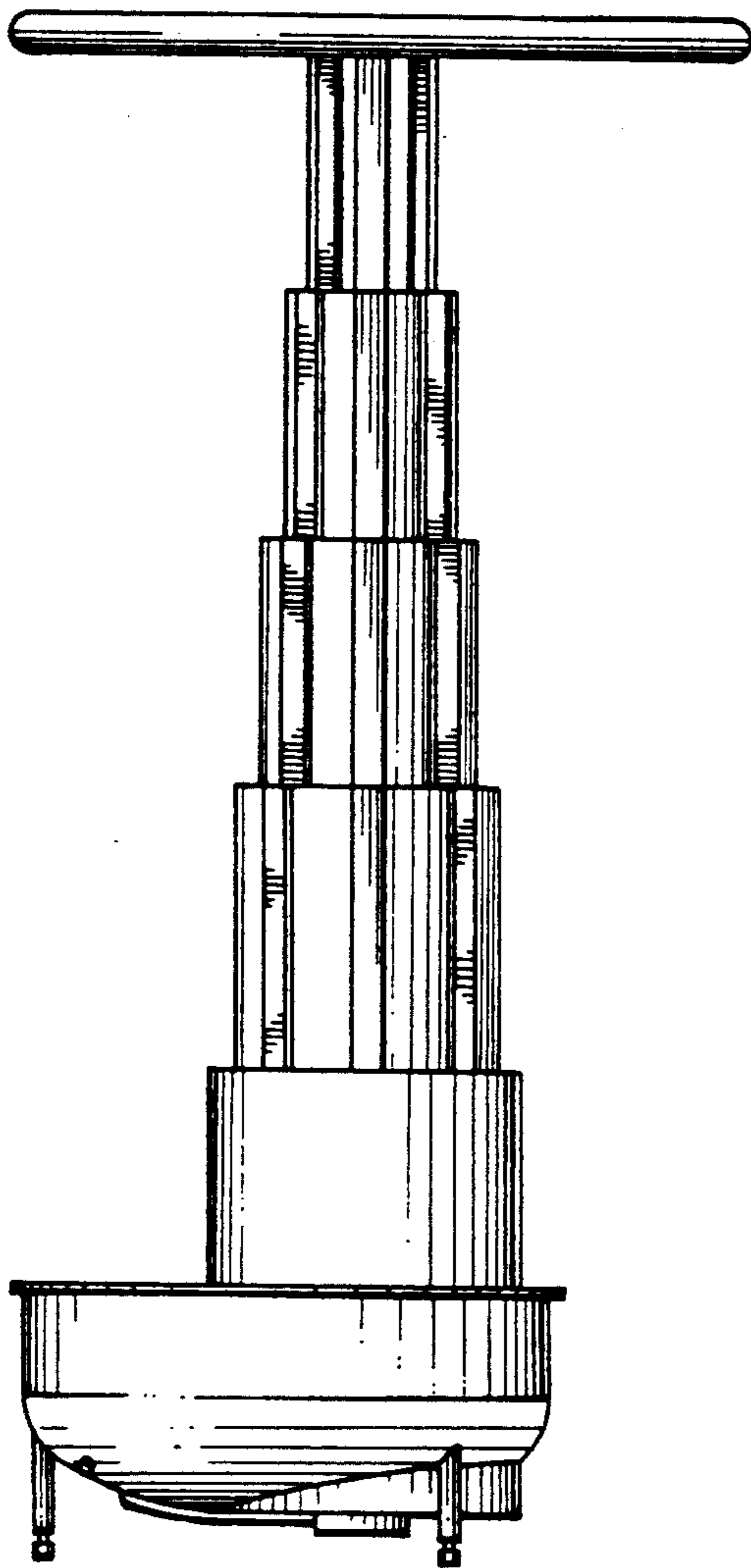


FIG. 2.

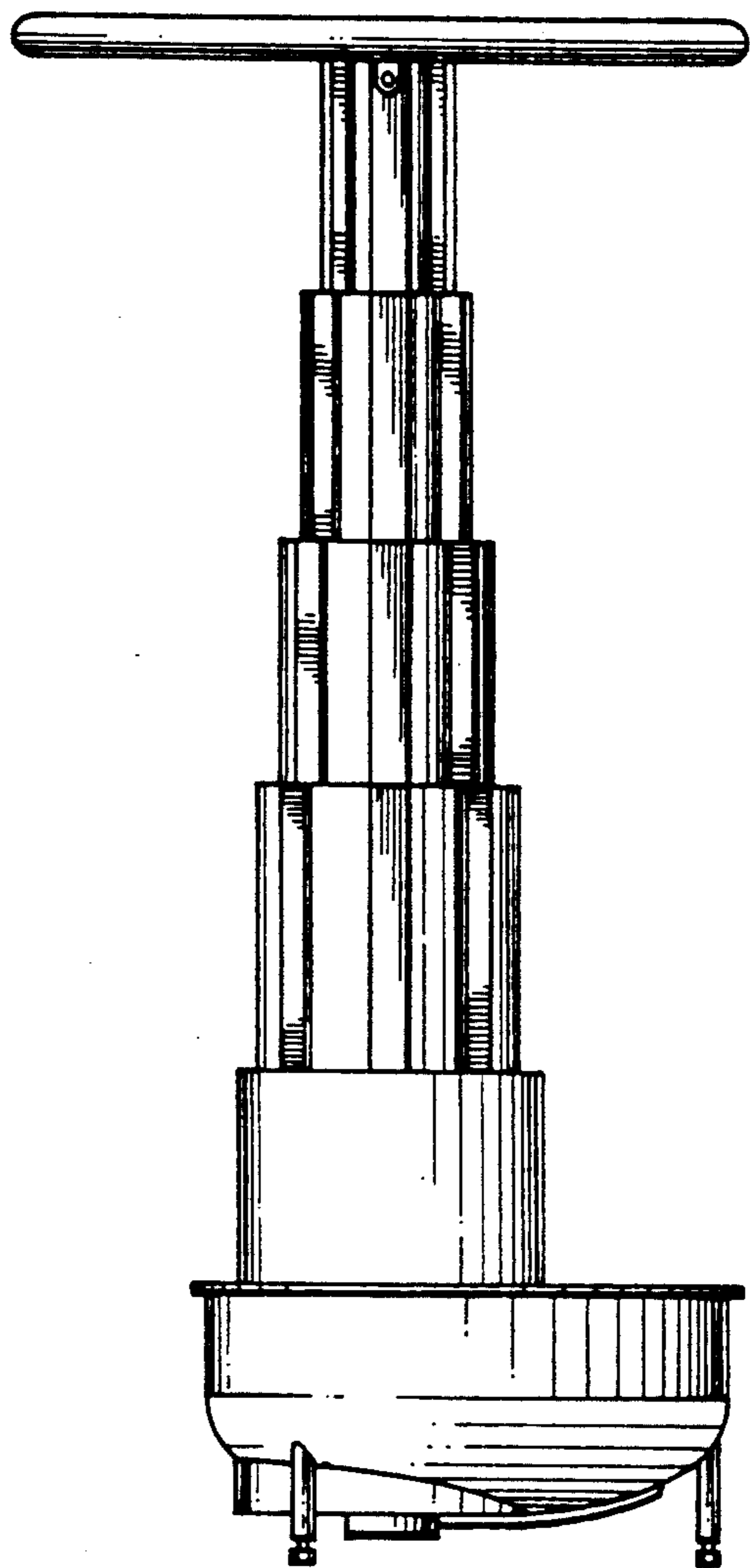


FIG. 3.

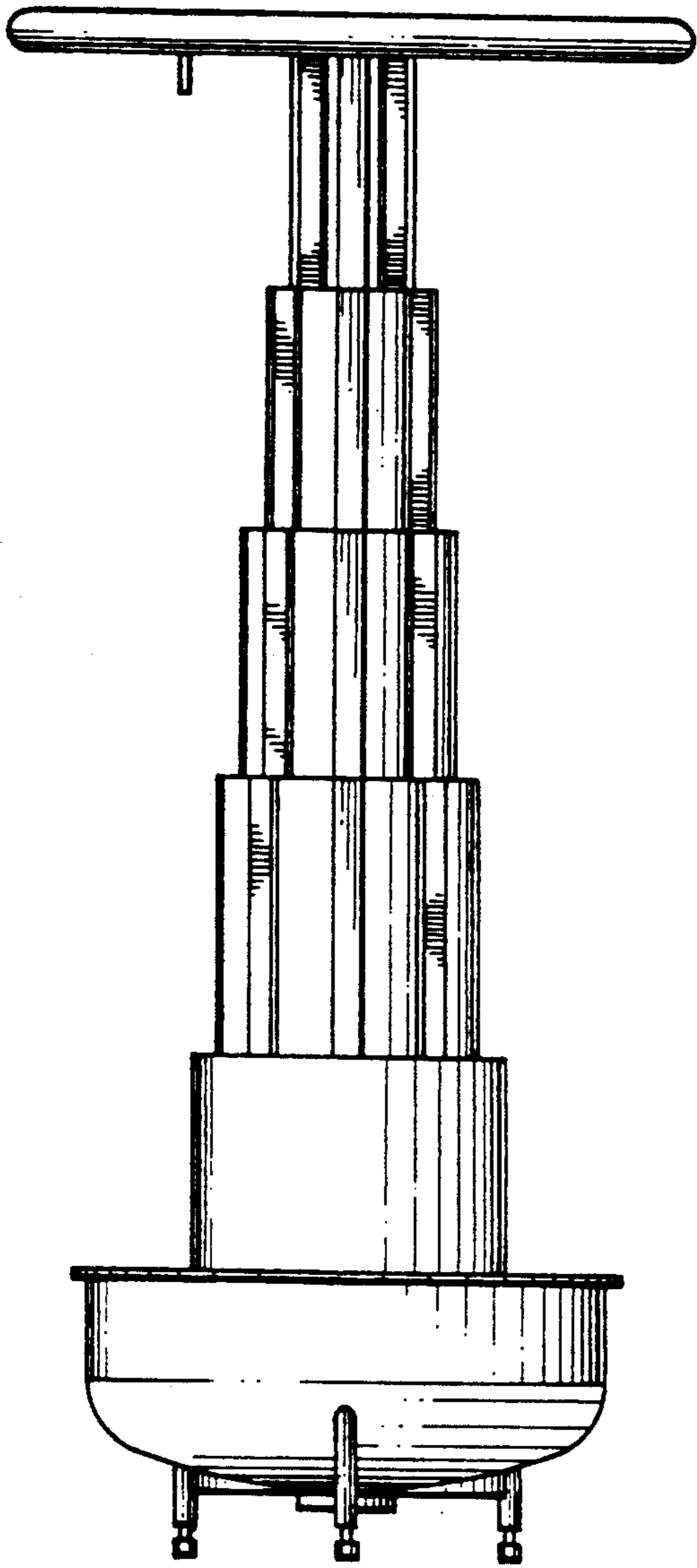


FIG. 4.

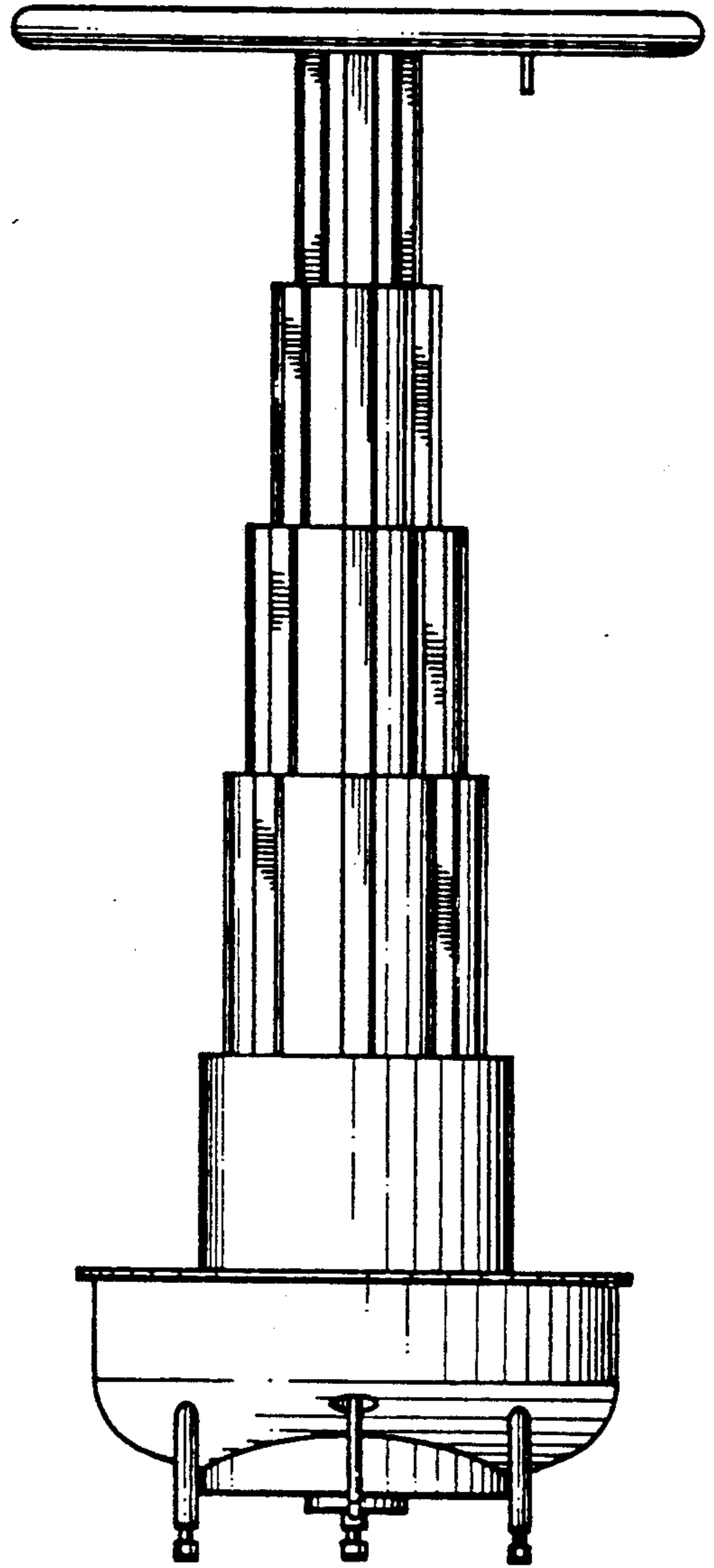


FIG. 5.