



US00D347498S

United States Patent [19]

[11] Patent Number: **Des. 347,498**

Cannon

[45] Date of Patent: **** May 31, 1994**

[54] **PIPE CLEANING APPARATUS**

4,257,139	3/1981	Yeo	15/104.35 N
4,771,500	9/1988	Kovacs	15/104.33
4,974,280	12/1990	Ward	15/104.31

[76] Inventor: **Charles M. Cannon**, 1355 E. 66 Pl.,
Tulsa, Okla. 74136

[**] Term: **14 Years**

Primary Examiner—A. Hugo Word
Assistant Examiner—Ruth McInroy
Attorney, Agent, or Firm—Richard C. Litman

[21] Appl. No.: **479,584**

[57] **CLAIM**

[22] Filed: **Feb. 13, 1990**

The ornamental design for a pipe cleaning apparatus, as shown and described.

[52] U.S. Cl. **D32/14**

[58] Field of Search 15/104.03, 104.05, 104.31,
15/104.32, 104.33; D32/1, 14

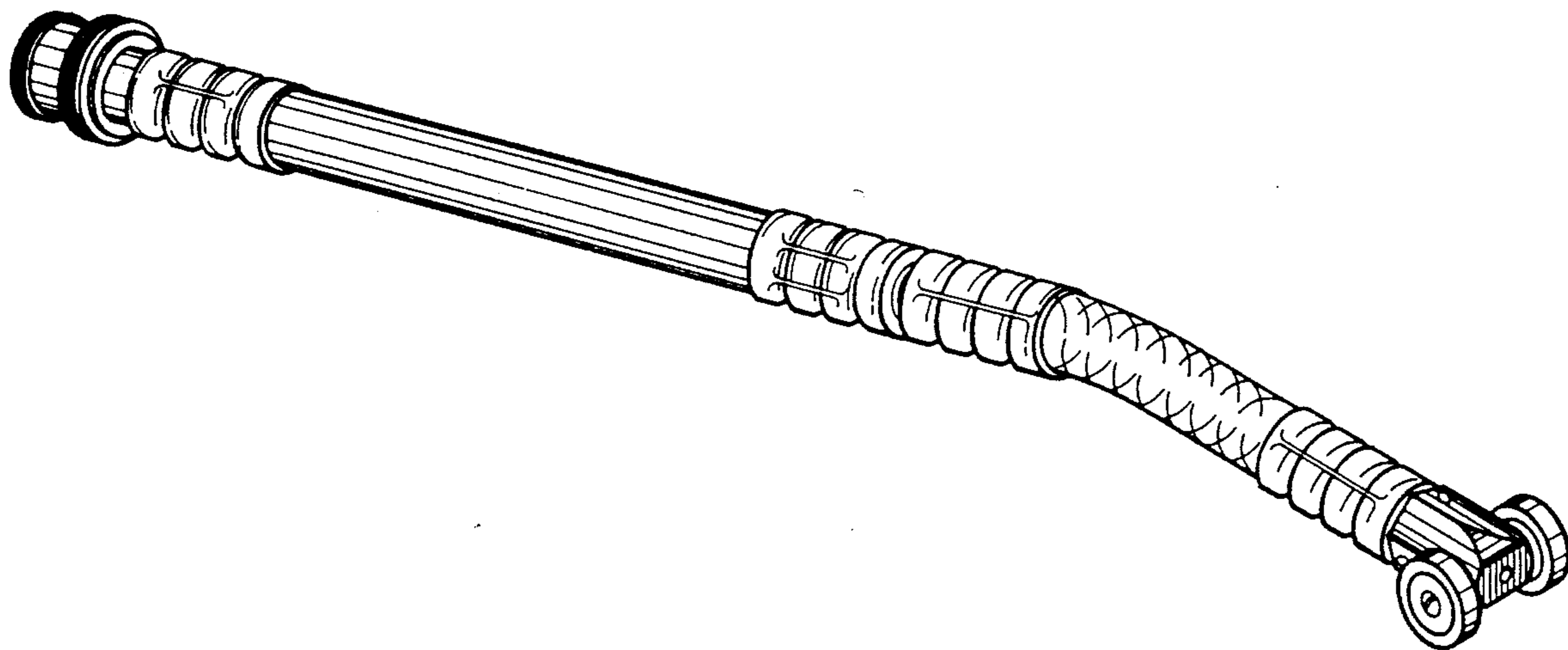
DESCRIPTION

[56] **References Cited**

U.S. PATENT DOCUMENTS

D. 303,855	10/1989	Moss	D32/14
D. 315,621	3/1991	Layman et al.	D32/14
1,787,112	12/1930	King	15/104.32
1,803,425	5/1931	Cunningham	.
2,057,842	10/1936	Nielsen	D32/14
2,461,517	2/1949	Carnevale	.
2,568,347	9/1951	Zundelius	15/104.3
4,206,313	6/1980	Cavoretto	134/167 C

FIG. 1 is a side perspective view of a pipe cleaning apparatus showing my new design;
FIG. 2 is a side elevational view taken from the right of FIG. 3;
FIG. 3 is a front elevational view thereof;
FIG. 4 is a rear elevational view thereof;
FIG. 5 is a side elevational view taken from the left of FIG. 3;
FIG. 6 is a bottom view of FIG. 3;
FIG. 7 is a top view of FIG. 3; and,
FIG. 8 is a side elevational view thereof.



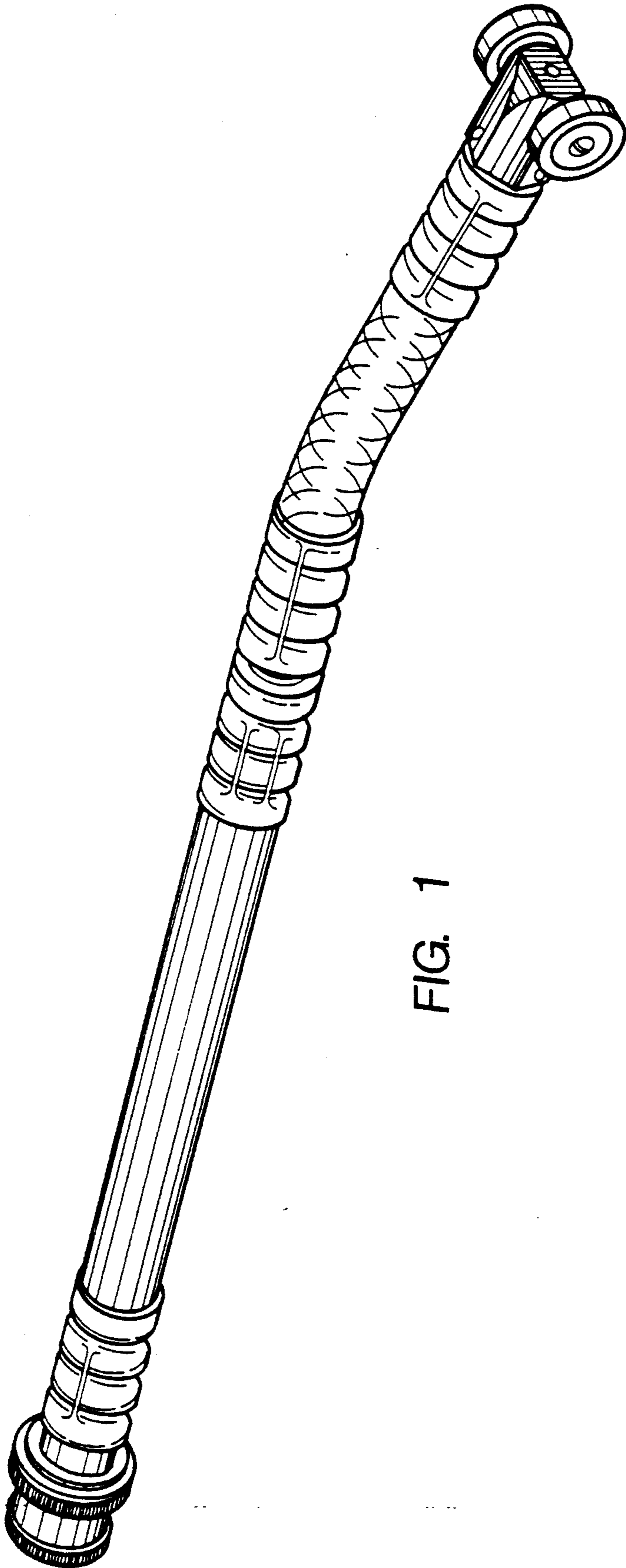


FIG. 1

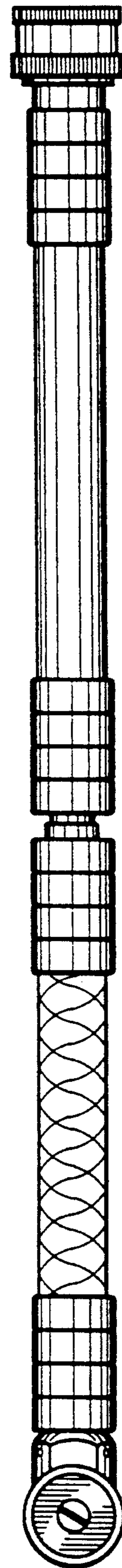


FIG. 8

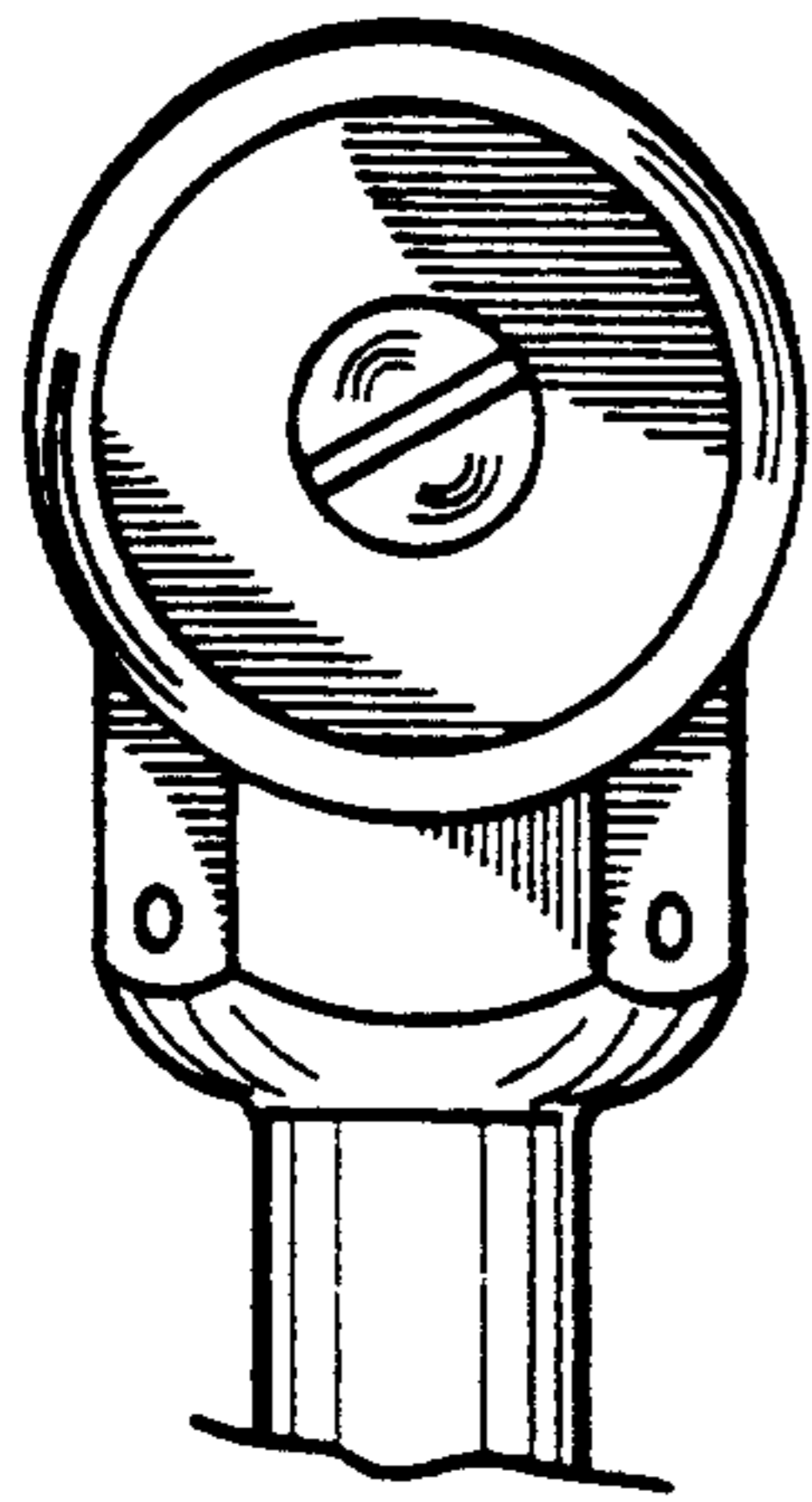


FIG. 2

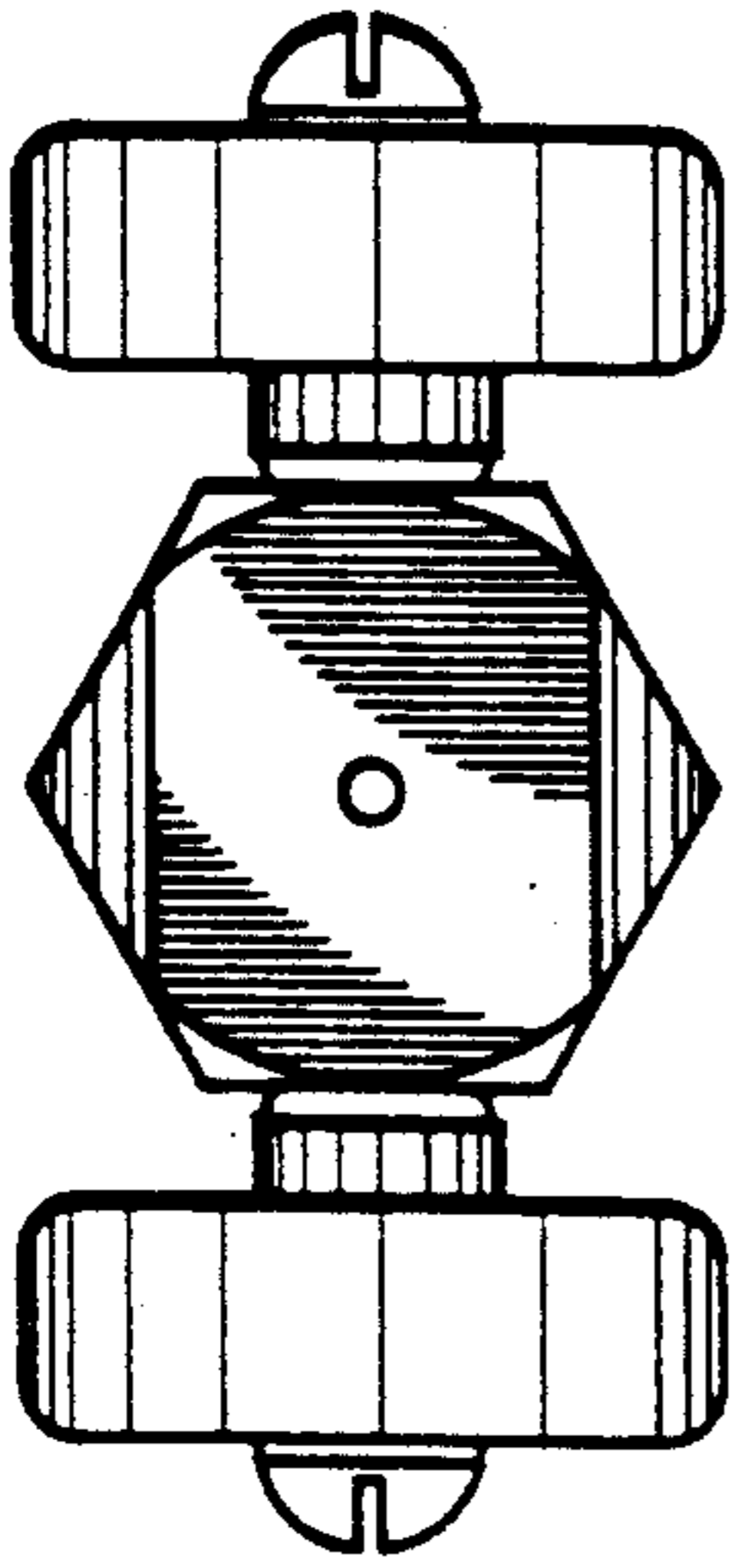


FIG. 3

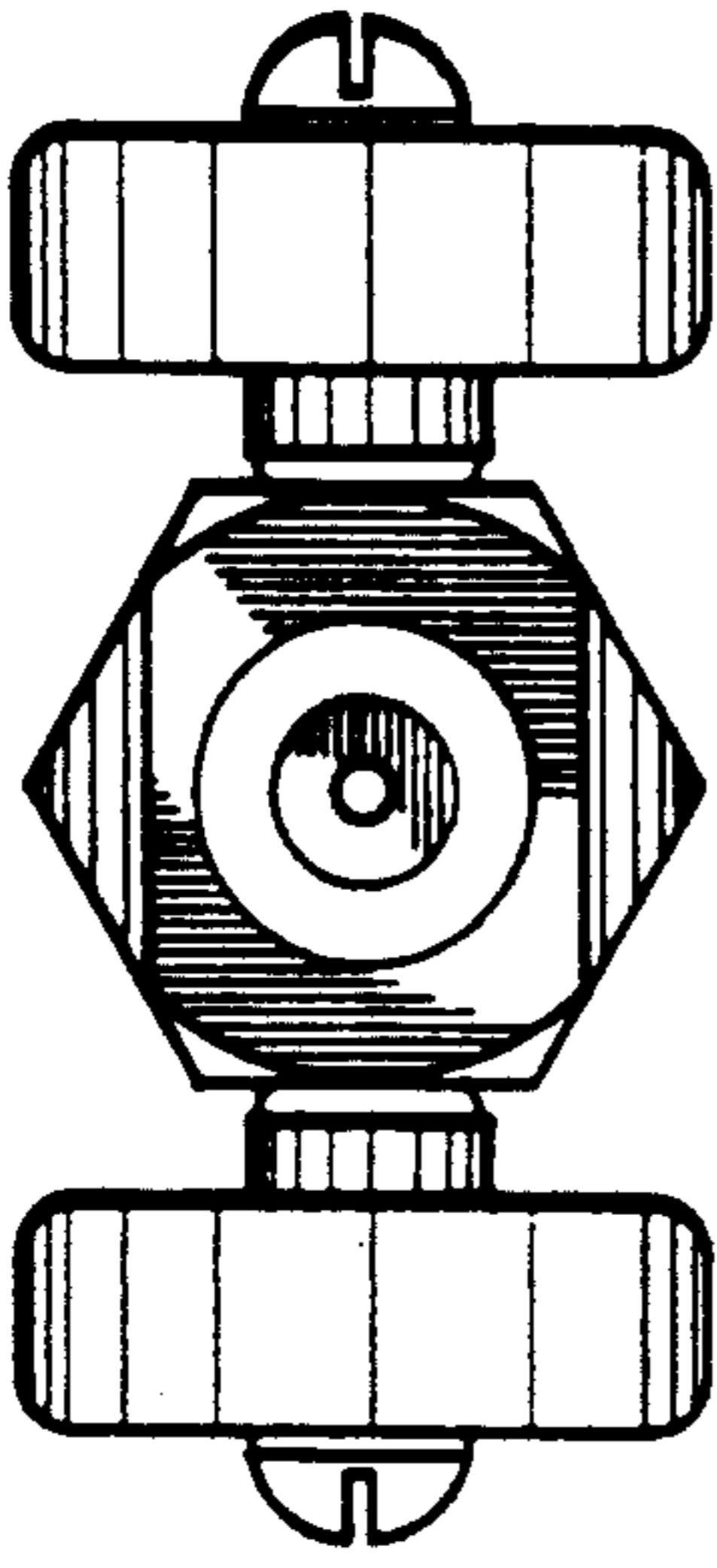


FIG. 4

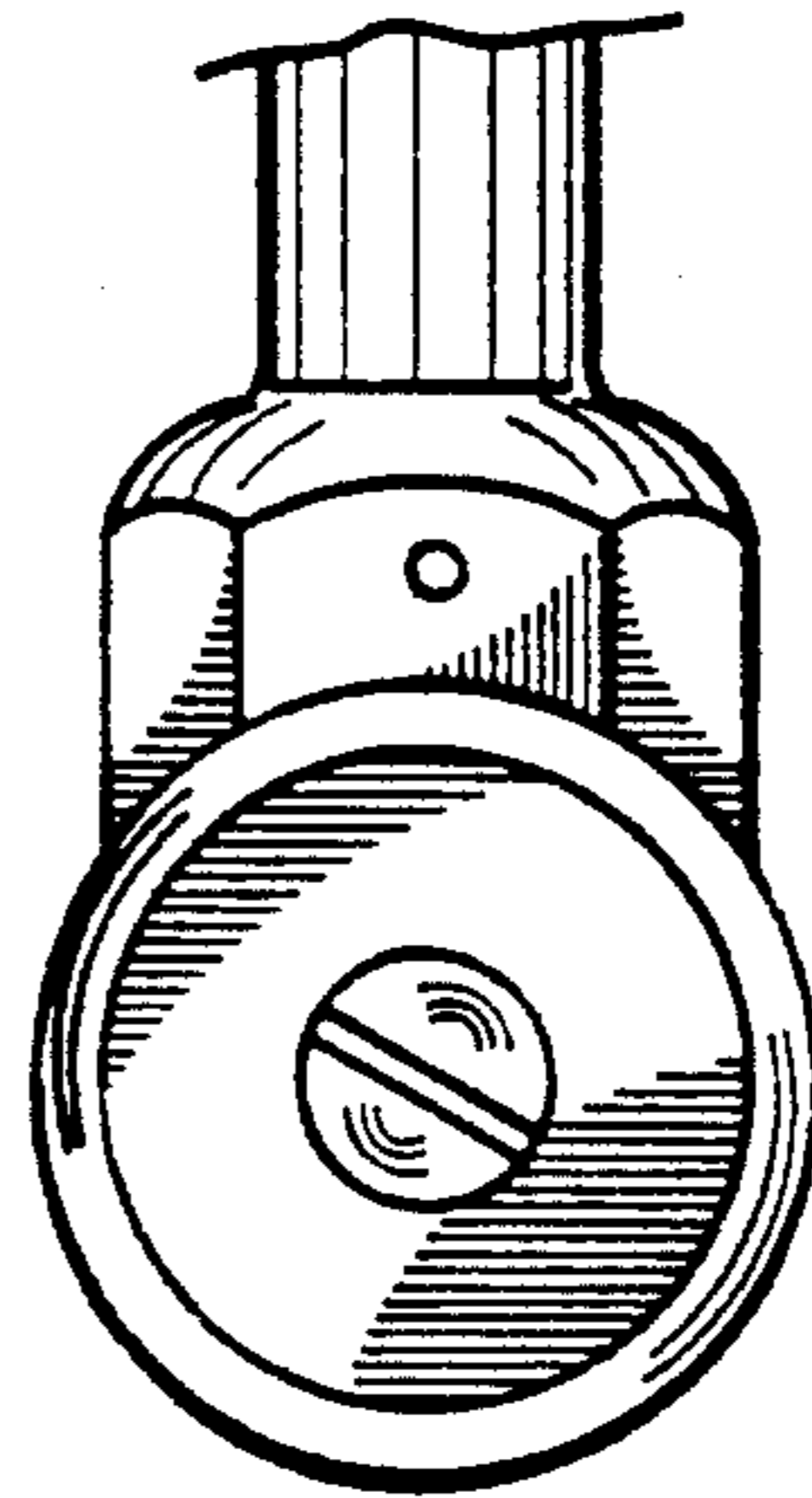


FIG. 5

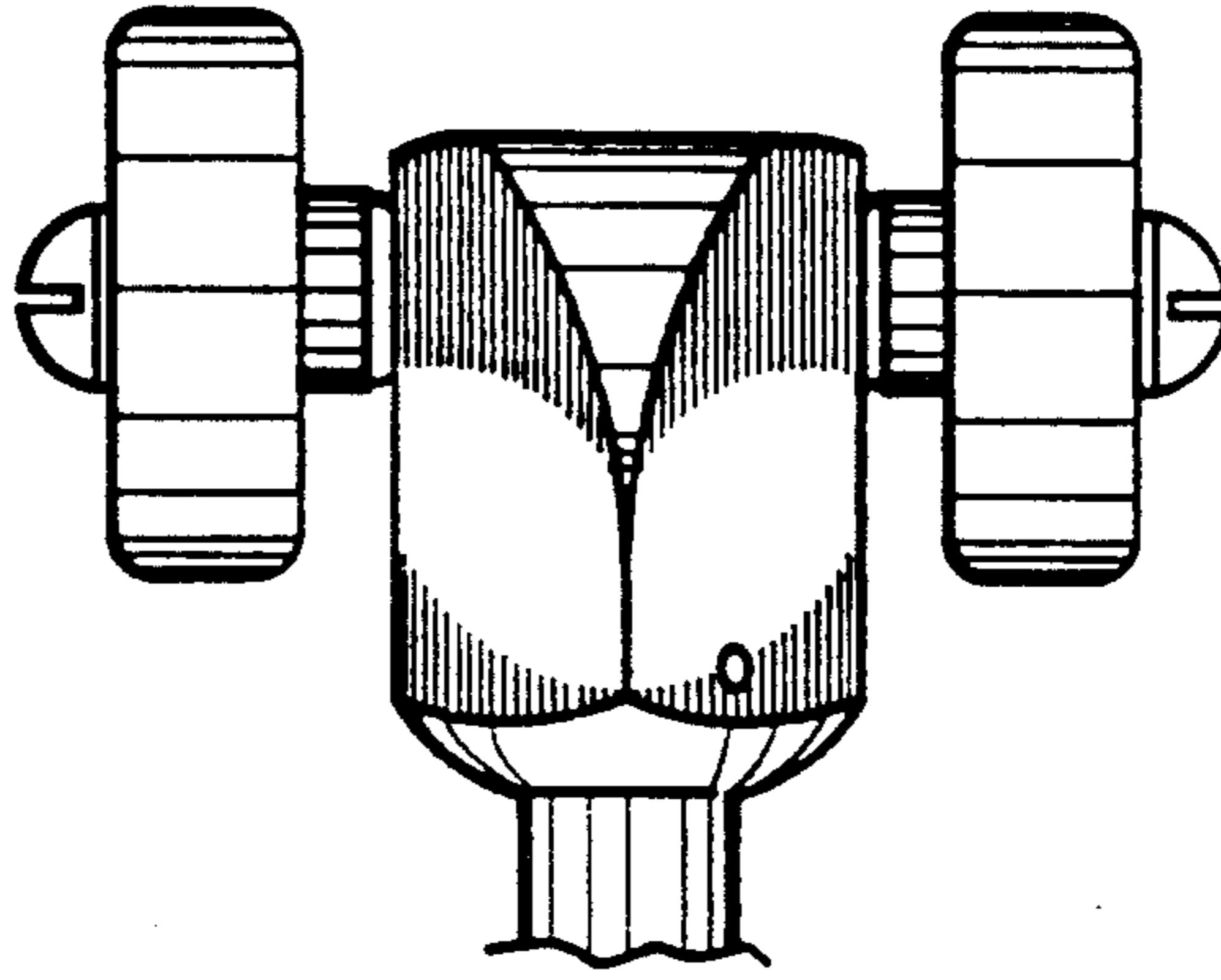


FIG. 6

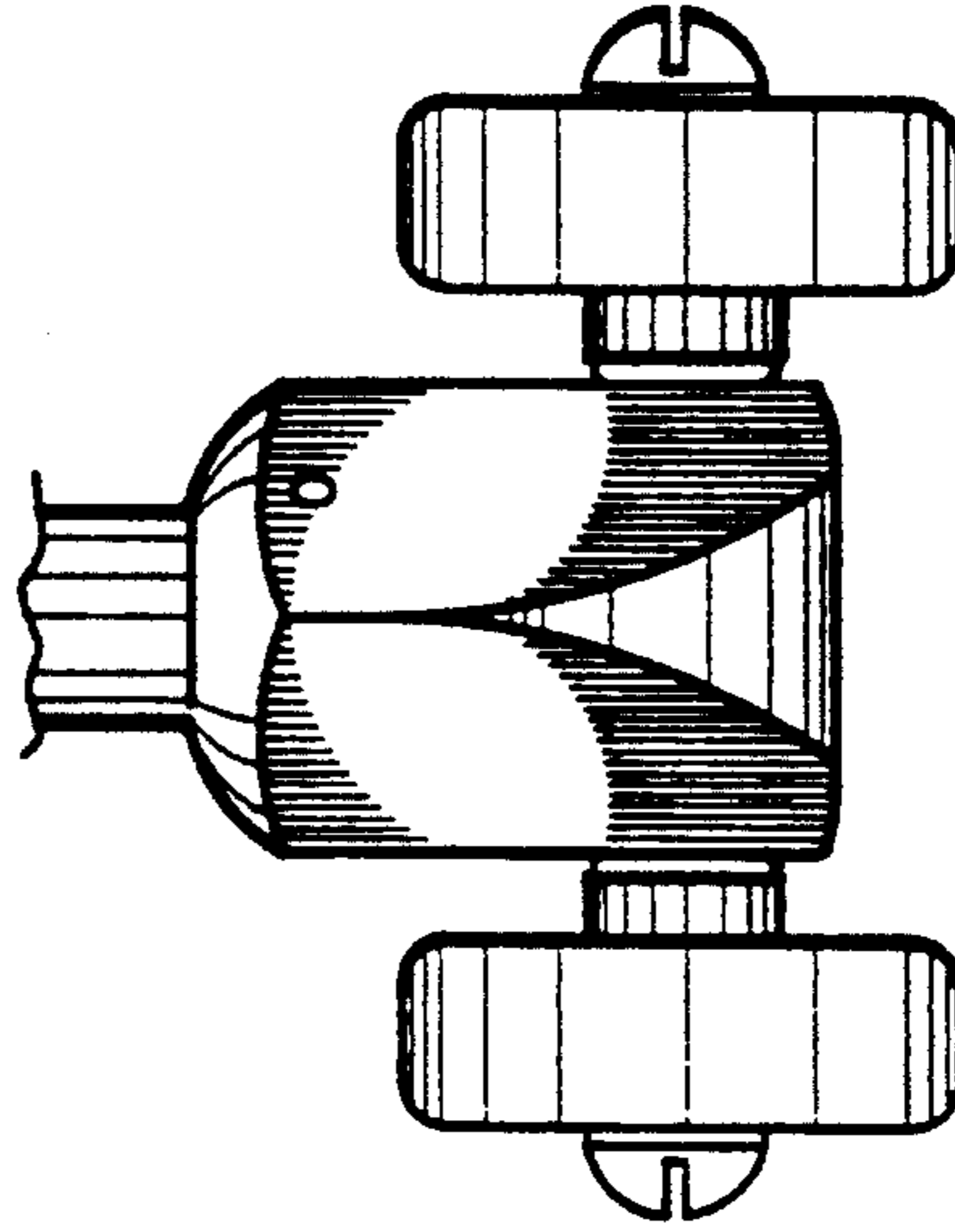


FIG. 7