



US00D347487S

United States Patent [19]

[11] Patent Number: **Des. 347,487**

Johnson et al.

[45] Date of Patent: **** May 31, 1994**

[54] WALL LIGHTING FIXTURE

[75] Inventors: **Dennis E. Johnson**, Grafton; **Scott P. Malmsten**, West Bend, both of Wis.

[73] Assignee: **SPI Lighting, Inc.**, Mequon, Wis.

[**] Term: **14 Years**

[21] Appl. No.: **962**

[22] Filed: **Oct. 15, 1992**

[52] U.S. Cl. **D26/85**

[58] Field of Search **362/147, 404, 432; D26/72, 80-92**

[56] References Cited

U.S. PATENT DOCUMENTS

- D. 319,318 8/1991 Lombardi D26/85
- D. 319,319 8/1991 Von Kluck D26/85
- D. 324,112 2/1992 Von Kluck D26/86

OTHER PUBLICATIONS

Admitted prior art 1991 ad by SPI Lighting for a wall mounted light.

Primary Examiner—Susan J. Lucas
Attorney, Agent, or Firm—Quarles & Brady

[57] CLAIM

The ornamental design for a wall lighting fixture, as shown and described.

DESCRIPTION

FIG. 1 is a perspective view taken from the bottom and front showing our new design;
FIG. 2 is a top plan view thereof;
FIG. 3 is a front elevational view thereof;
FIG. 4 is a bottom plan view thereof; and,
FIG. 5 is a right side elevational view thereof, the left side being the mirror image of the right side shown.
The broken line representation of a wall in FIG. 5 is for purposes of illustration only.

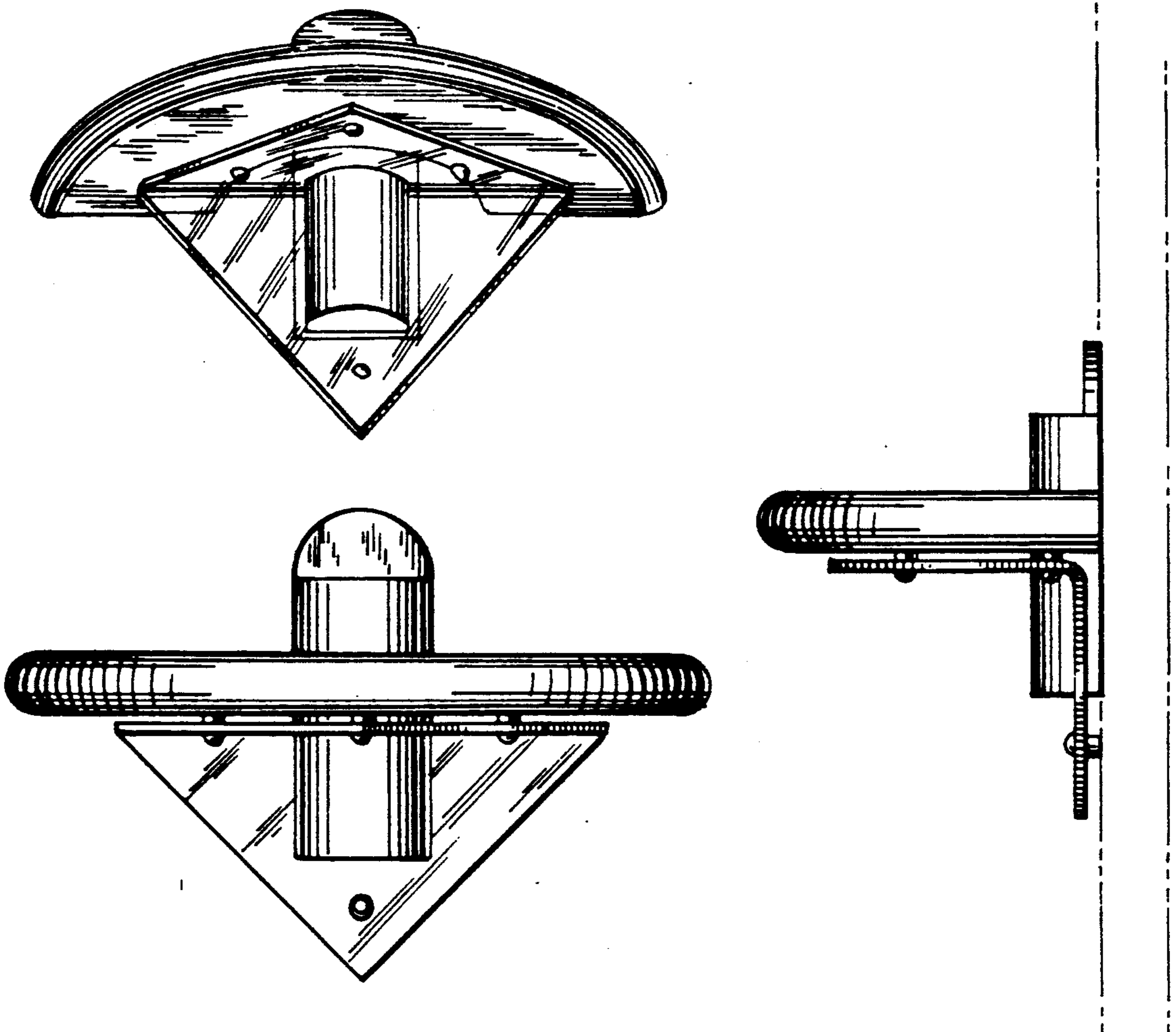


FIG. 1

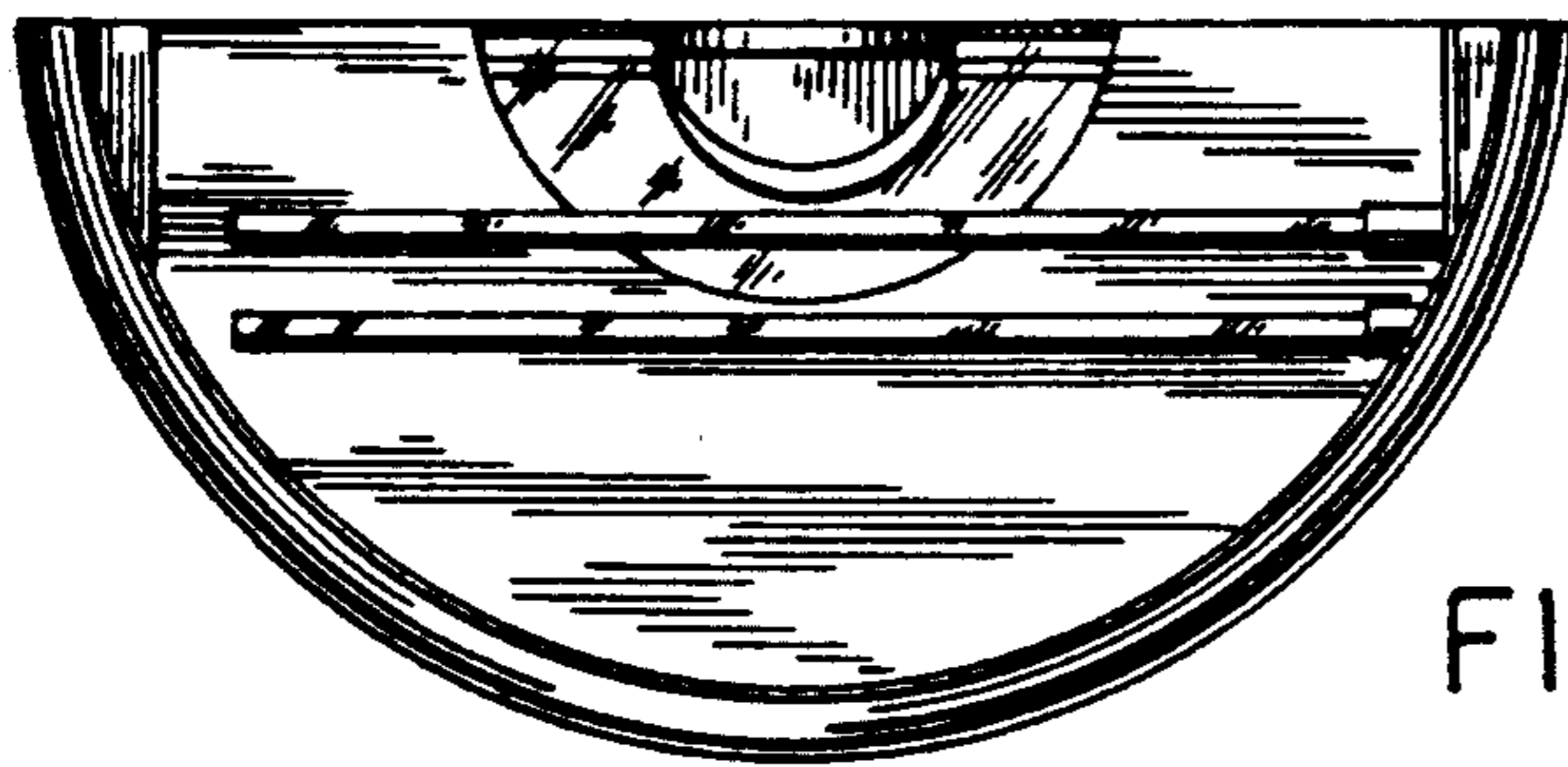
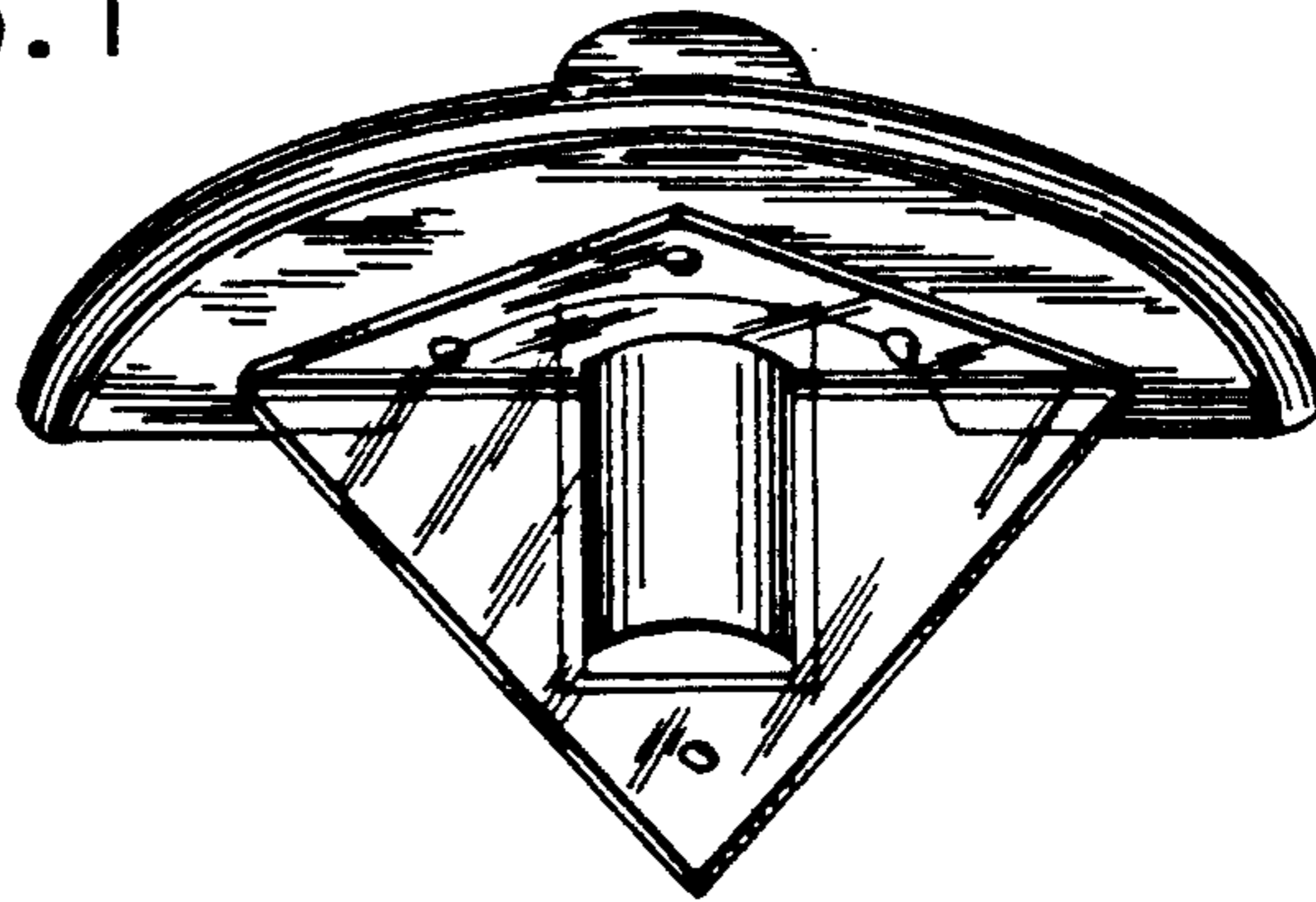


FIG. 2

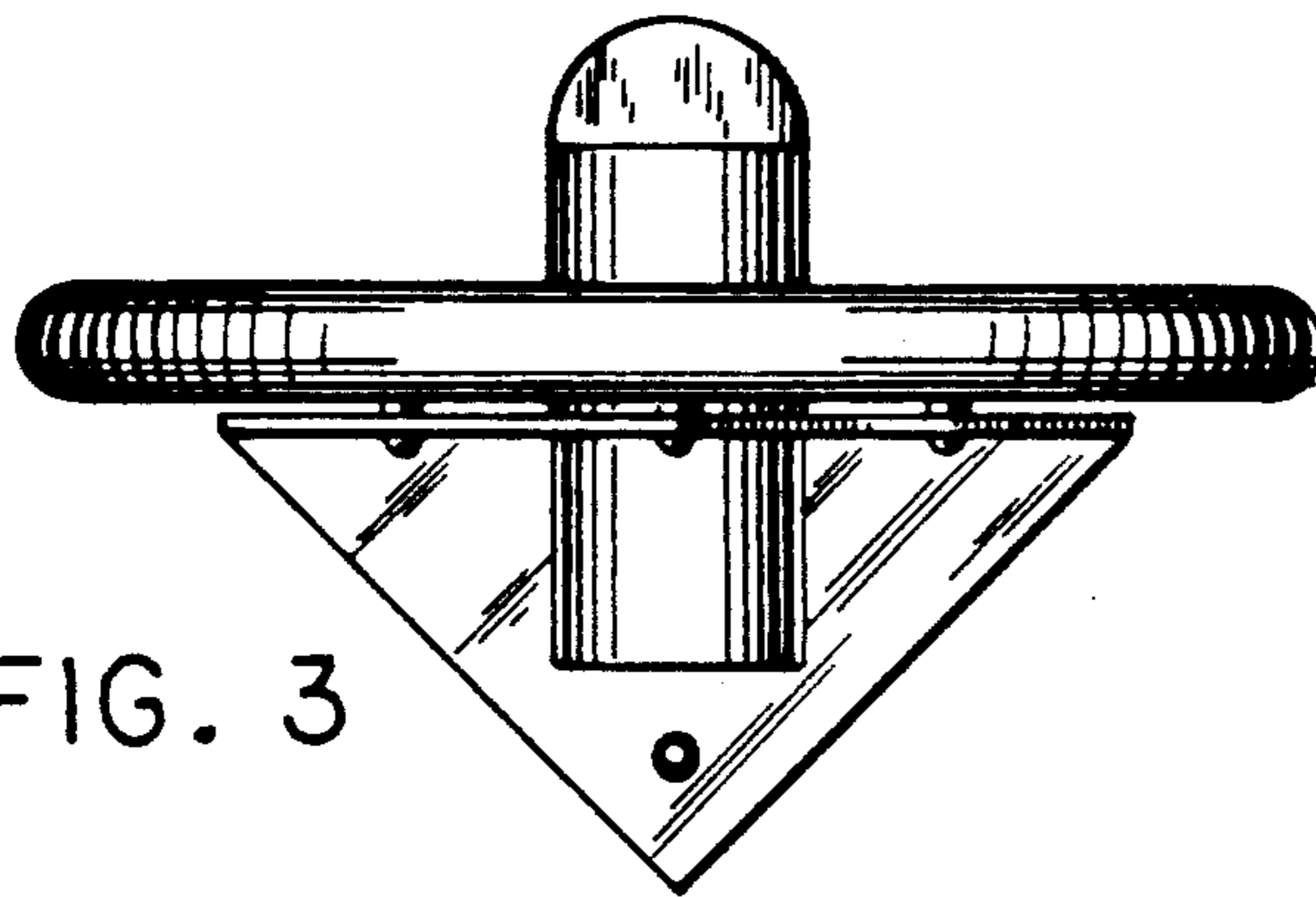


FIG. 3

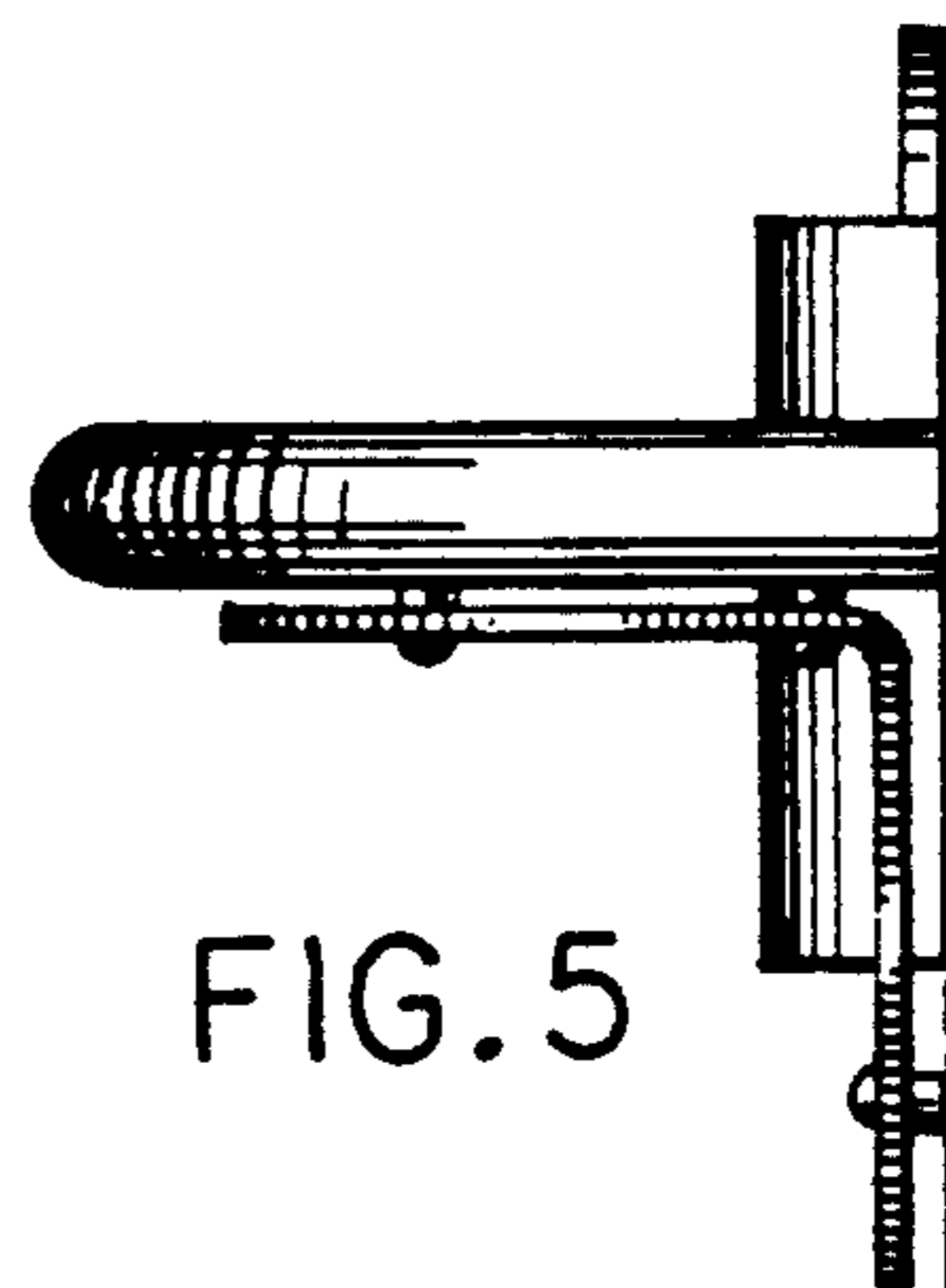


FIG. 5

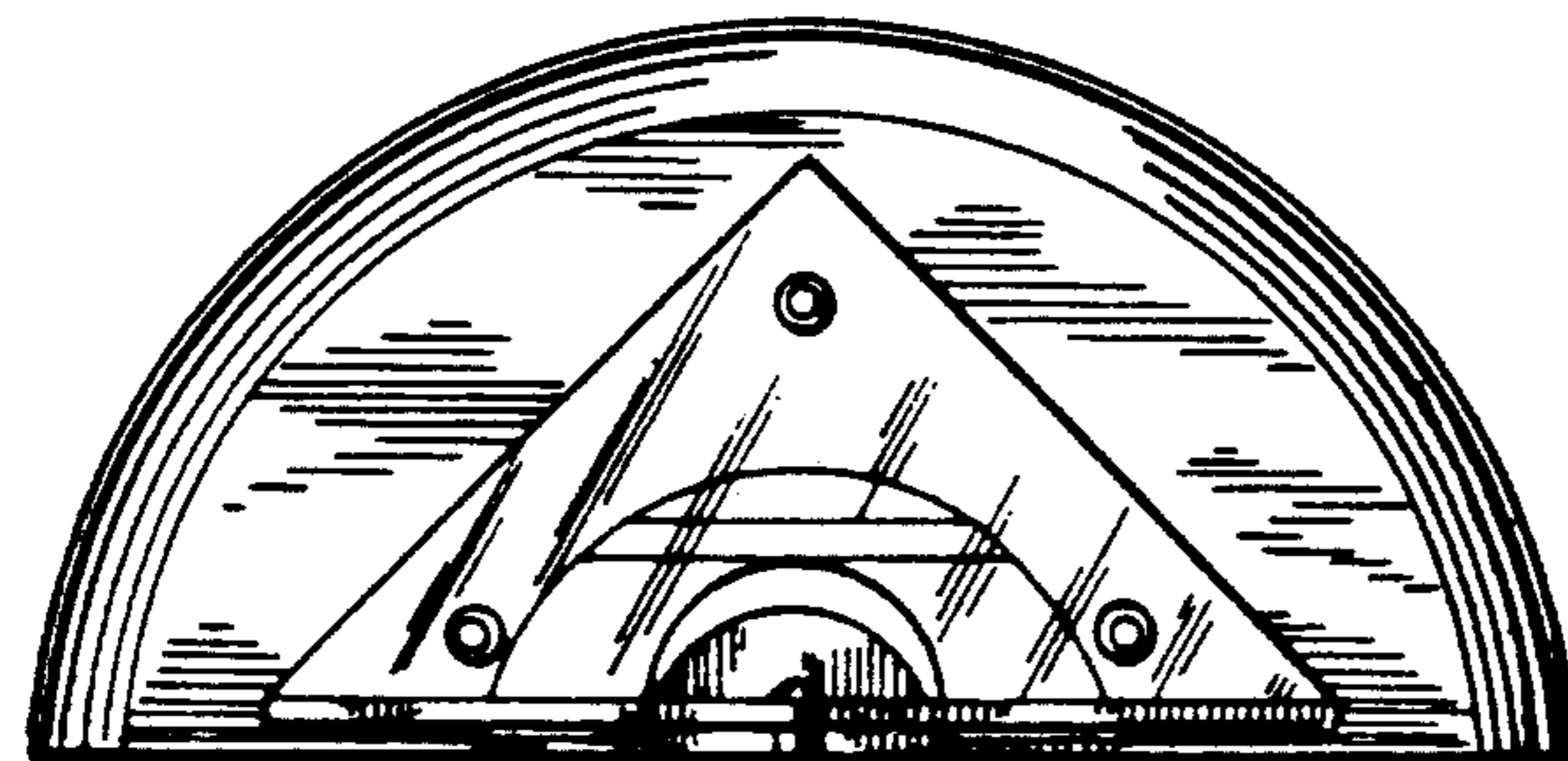


FIG. 4