



US00D347486S

United States Patent [19]

[11] Patent Number: **Des. 347,486**

Gruber et al.

[45] Date of Patent: **** May 31, 1994**

[54] SUSPENDED LUMINAIRE

[75] Inventors: **Harold T. Gruber**, Summit Station;
Bonnie J. Brohard, Newark; **William W. Belisle**, Newark; **Herbert A. Fouke**, Newark, all of Ohio

[73] Assignee: **Holophane Lighting, Inc.**, Newark, Ohio

[*] Notice: The portion of the term of this patent subsequent to Mar. 22, 2008 has been disclaimed.

[**] Term: **14 Years**

[21] Appl. No.: **844,375**

[22] Filed: **Feb. 27, 1992**

[52] U.S. Cl. **D26/85**

[58] Field of Search **362/147, 404-408; D26/72, 80-92**

[56] References Cited

U.S. PATENT DOCUMENTS

D. 105,452 7/1937 Poling D26/88
2,333,918 11/1943 Claspy 362/408

FOREIGN PATENT DOCUMENTS

463883 4/1937 United Kingdom 362/363

Primary Examiner—Susan J. Lucas

Attorney, Agent, or Firm—Brooks & Kushman

[57] CLAIM

The ornamental design for a suspended luminaire, as shown.

DESCRIPTION

FIG. 1 is a perspective view of our new design;

FIG. 2 is a right side elevational view;

FIG. 3 is a front elevational view;

FIG. 4 is a top plan view;

FIG. 5 is a bottom plan view; and,

FIG. 6 is a rear elevational view.

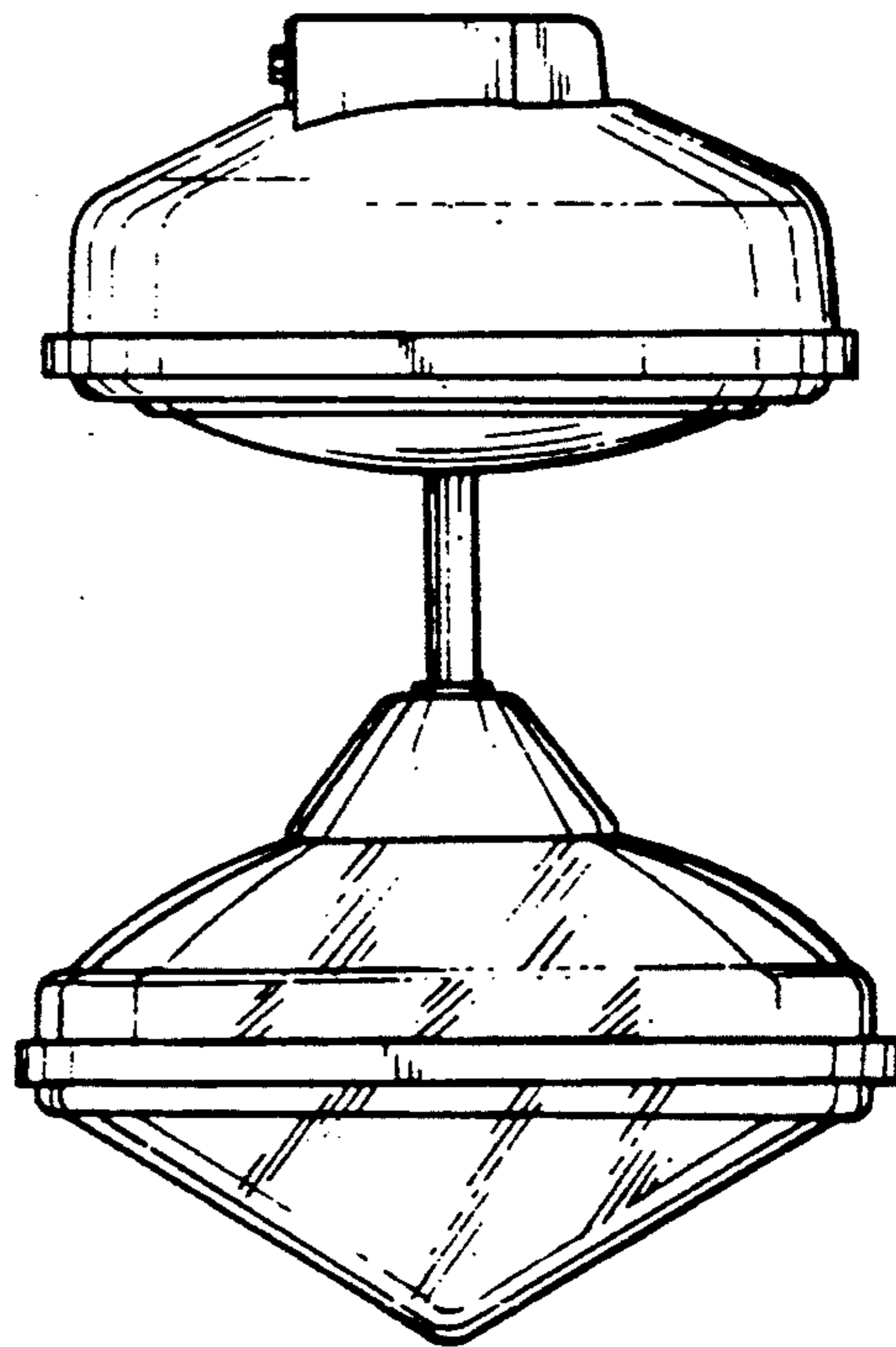
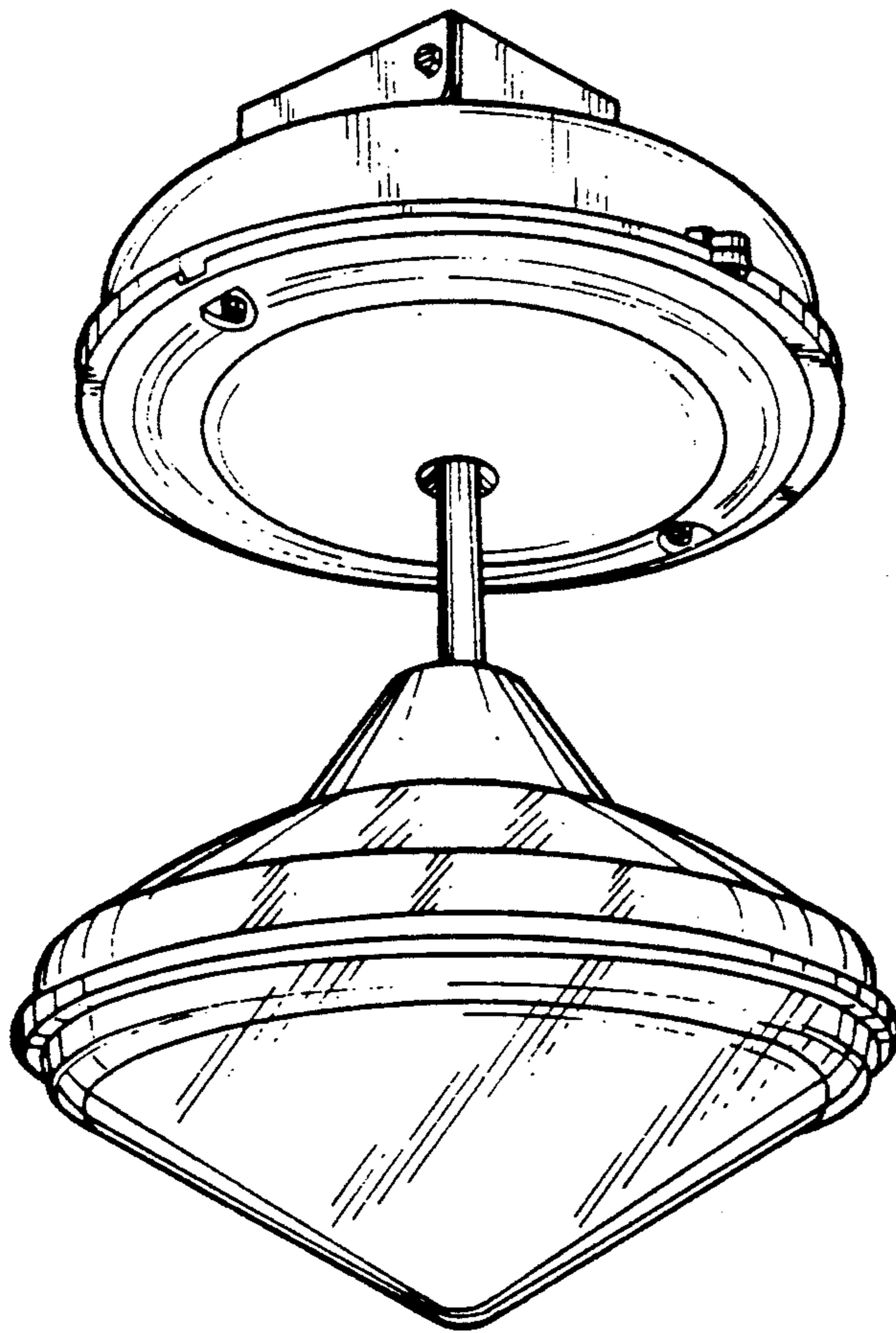


fig-1

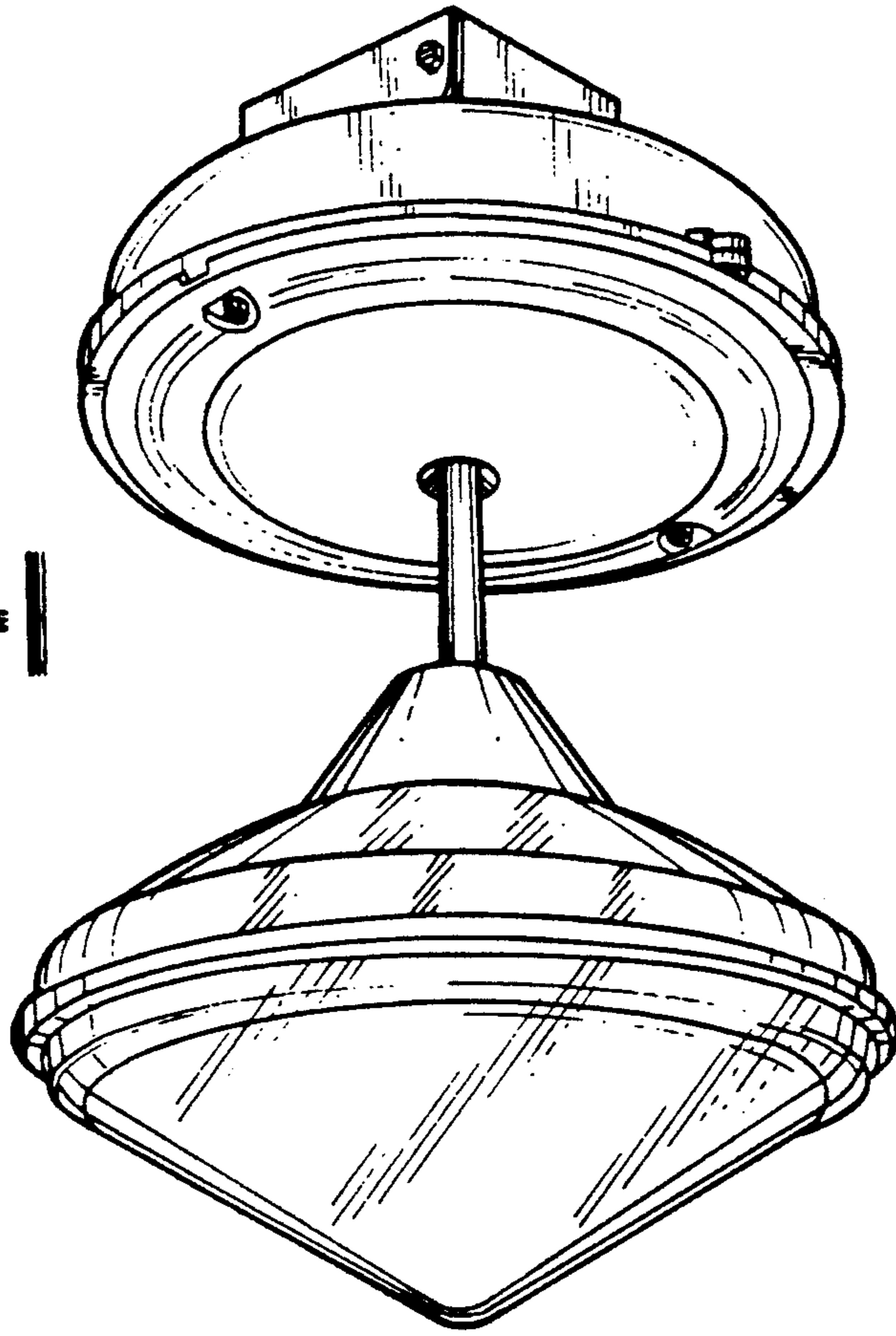


fig-2

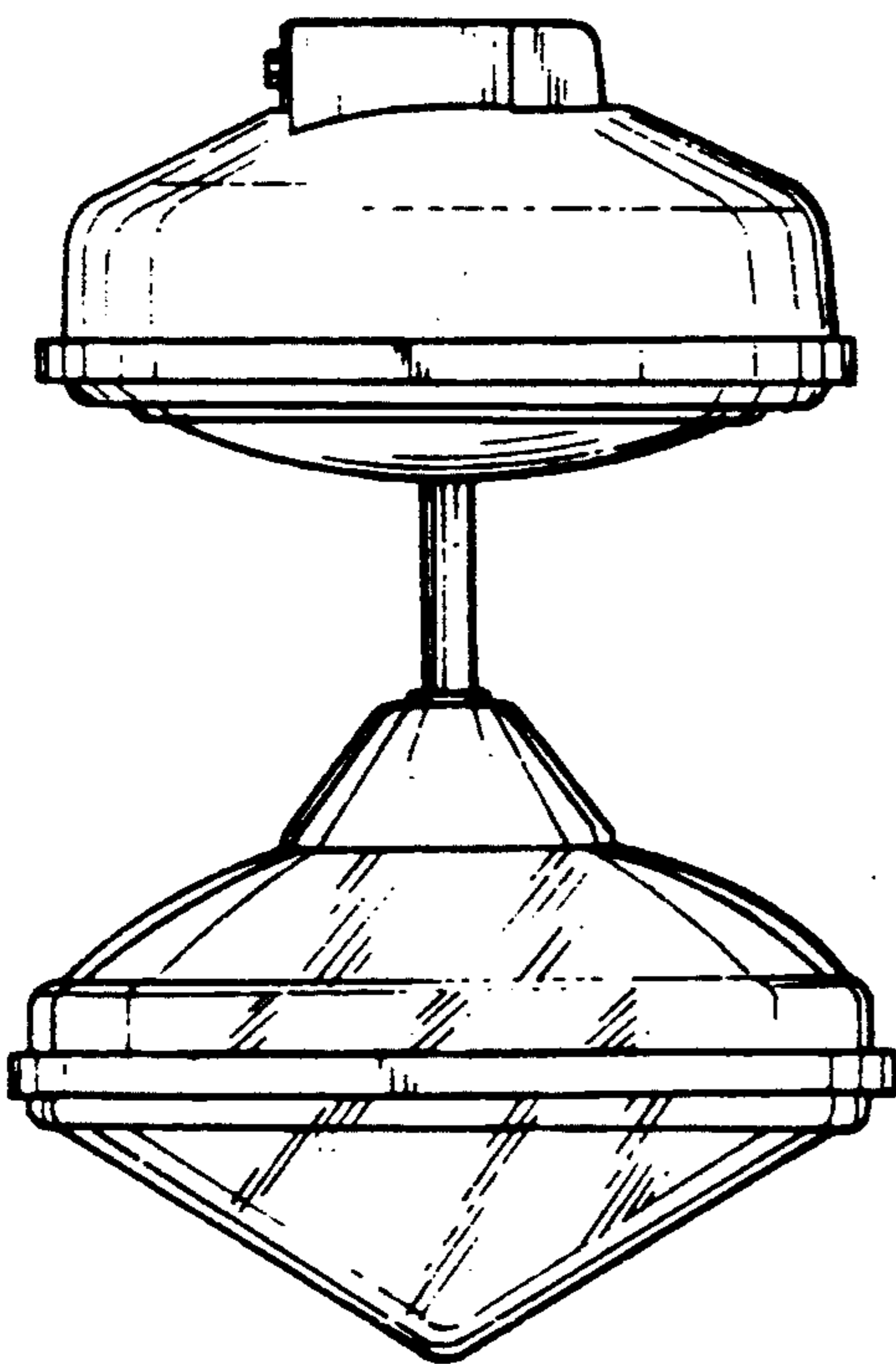
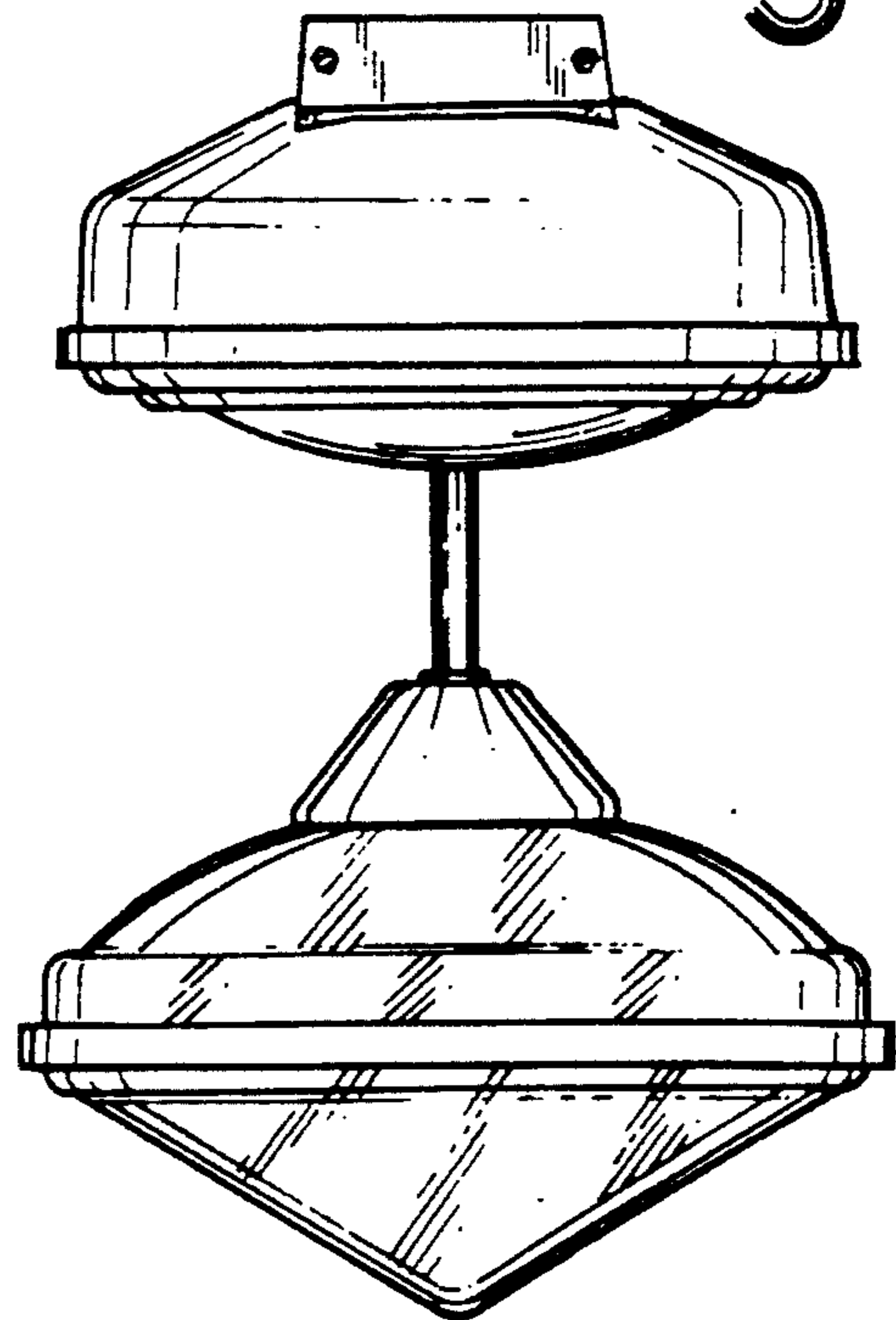


fig-3



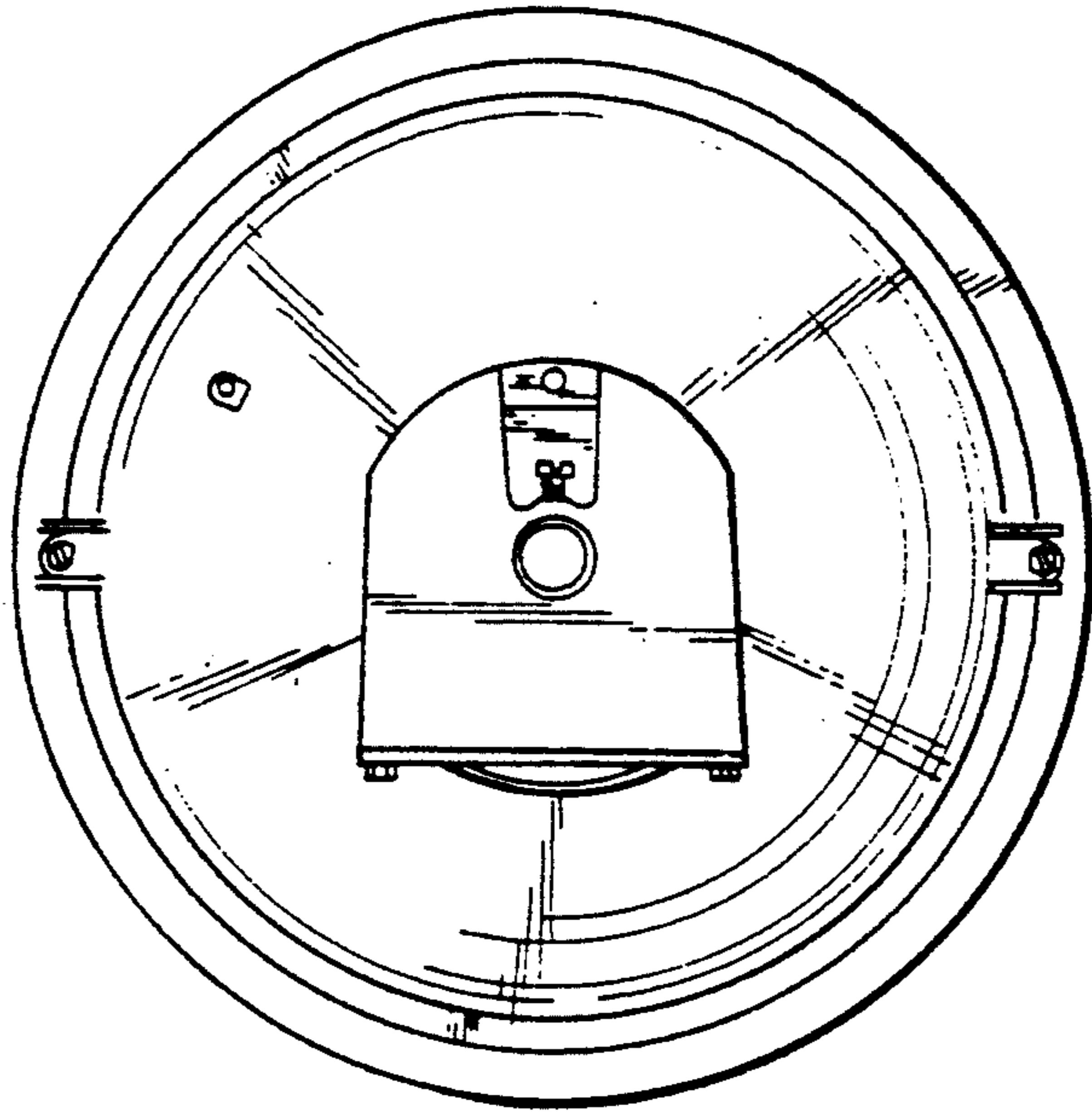


fig-4

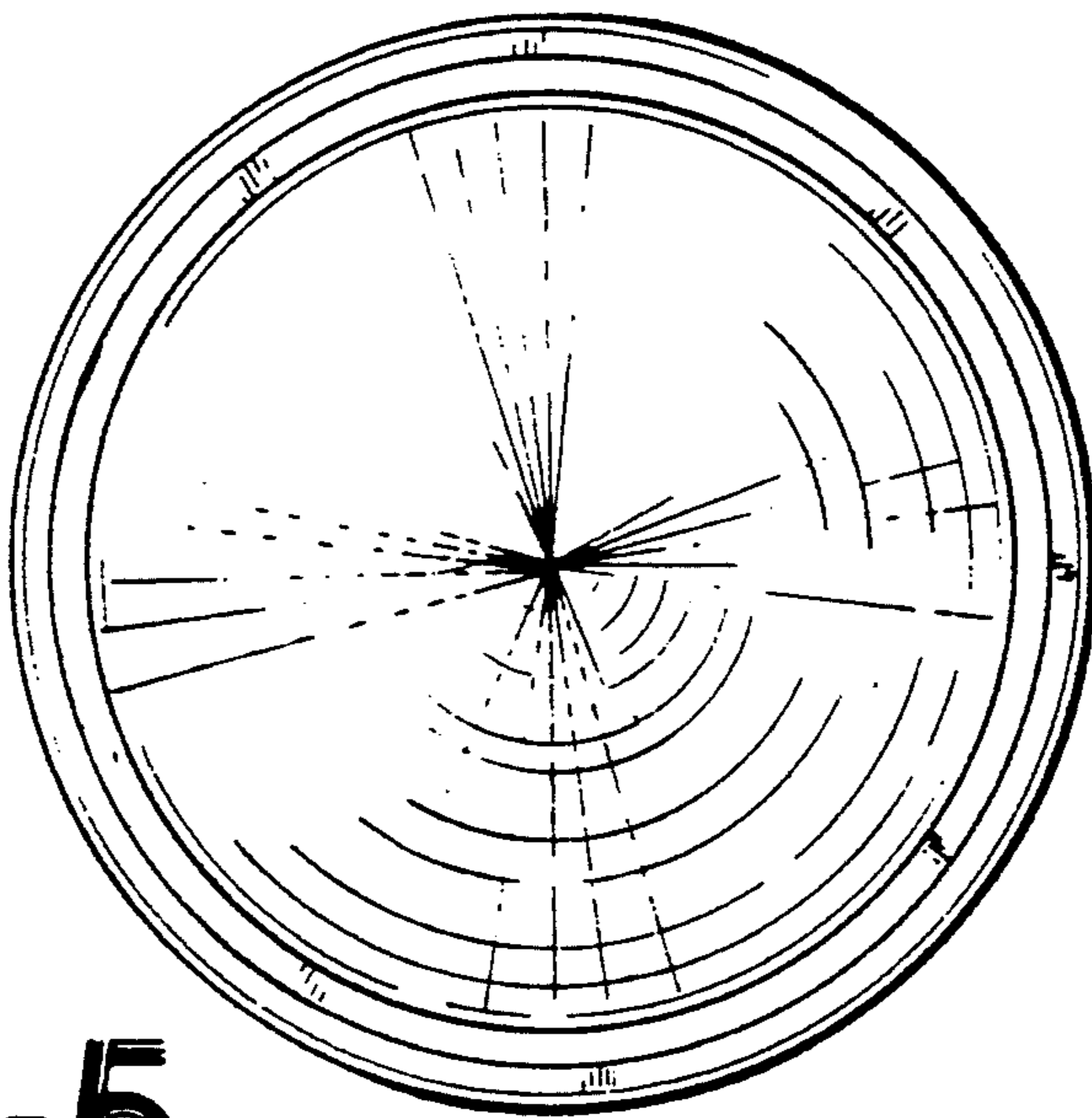


fig-5

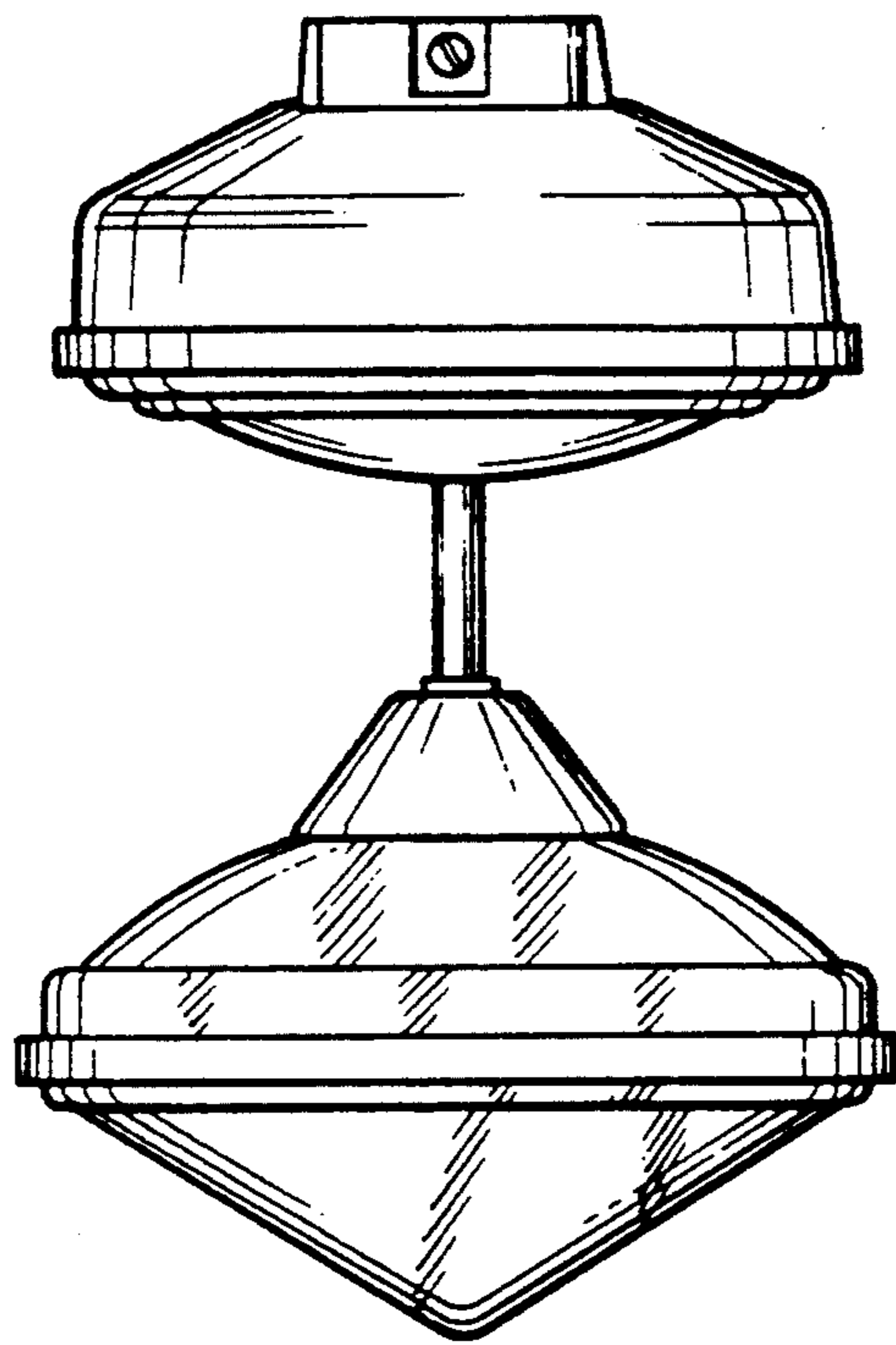


Fig-6