



US00D347477S

United States Patent [19]

[11] Patent Number: **Des. 347,477**

Morales

[45] Date of Patent: **** May 31, 1994**

- [54] **BODY MASSAGING ROLLER**
- [76] Inventor: **Louis Morales, 2243 W. Taylor St., Chicago, Ill. 60612**
- [**] Term: **14 Years**
- [21] Appl. No.: **2,393**
- [22] Filed: **Dec. 11, 1992**
- [52] U.S. Cl. **D24/211; D24/200**
- [58] Field of Search **128/24 R, 25 R, 44, 128/54, 57, 59, 60, 62 R, 67; D24/211, 212, 213, 214, 200**

- 4,945,900 8/1990 Masuda 128/57
- 4,984,569 1/1991 Liu 128/57

*Primary Examiner—Stella Reid
Attorney, Agent, or Firm—Terry M. Gernstein*

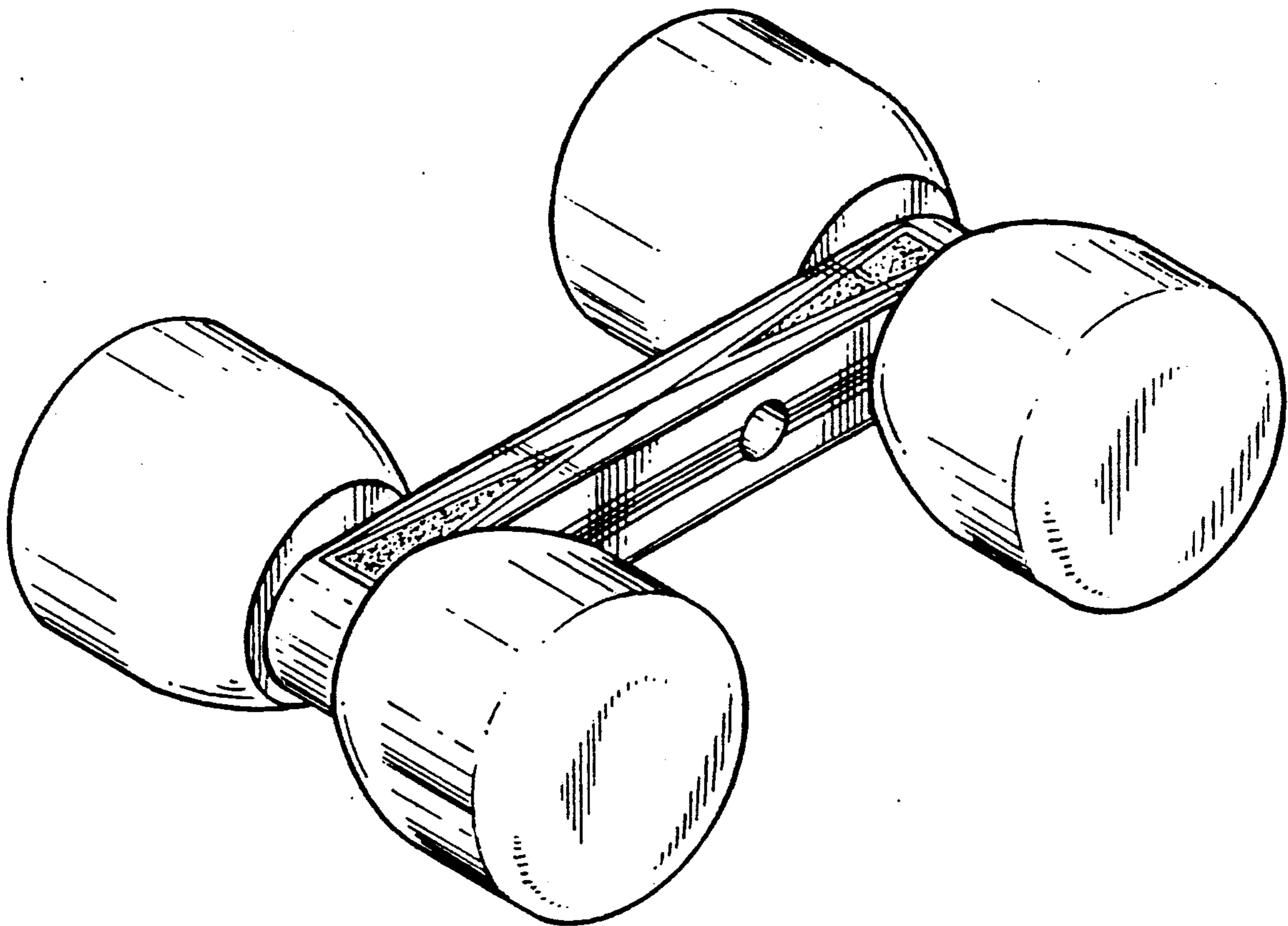
[57] **CLAIM**

The ornamental design for a body massaging roller, as shown and described.

DESCRIPTION

FIG. 1 is a front, top and side perspective view of a body massaging roller showing my new design; FIG. 2 is a front elevational view thereof, the rear being a mirror image of the front shown in FIG. 2; FIG. 3 is a side elevational view thereof, the side opposite being a mirror image of the side shown in FIG. 3; and, FIG. 4 is a top plan view thereof, the bottom view being a mirror image of the top view shown in FIG. 4.

- [56] **References Cited**
- U.S. PATENT DOCUMENTS**
- D. 273,042 3/1984 Jackson D24/211
- D. 314,799 2/1991 Takahashi et al. D24/211 X
- 4,798,198 1/1989 Wright 128/57



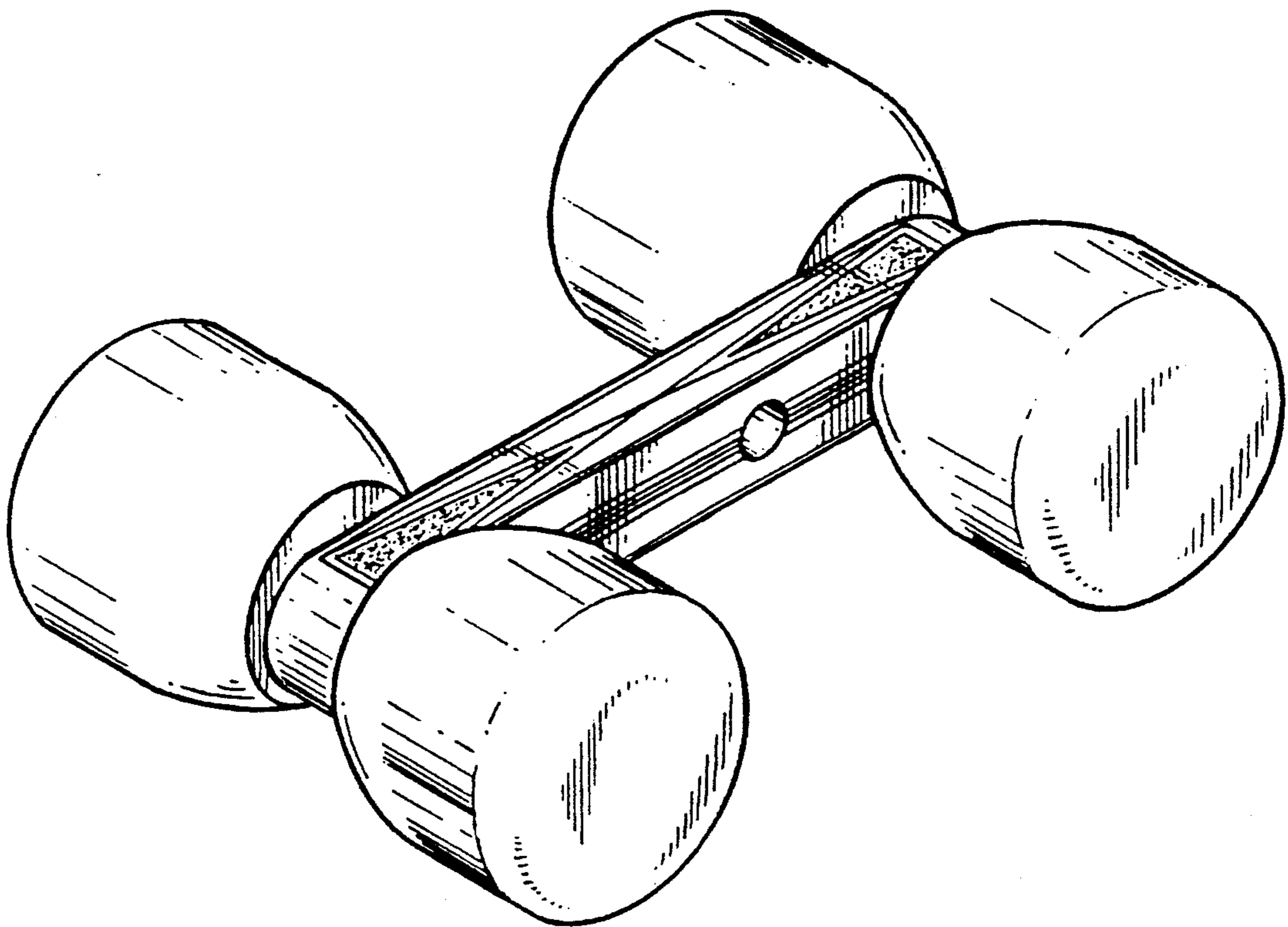


FIG. 1

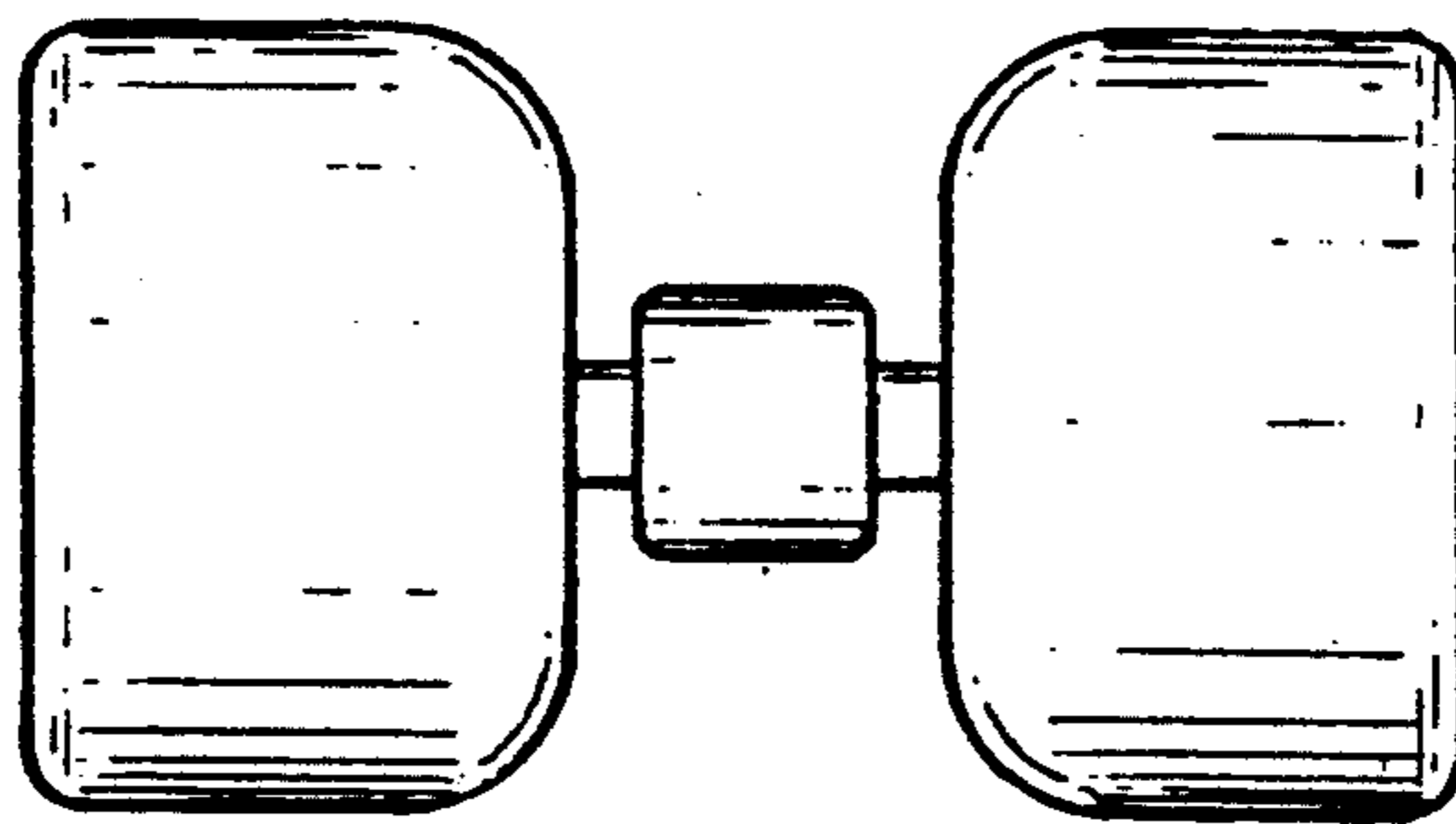


FIG. 2

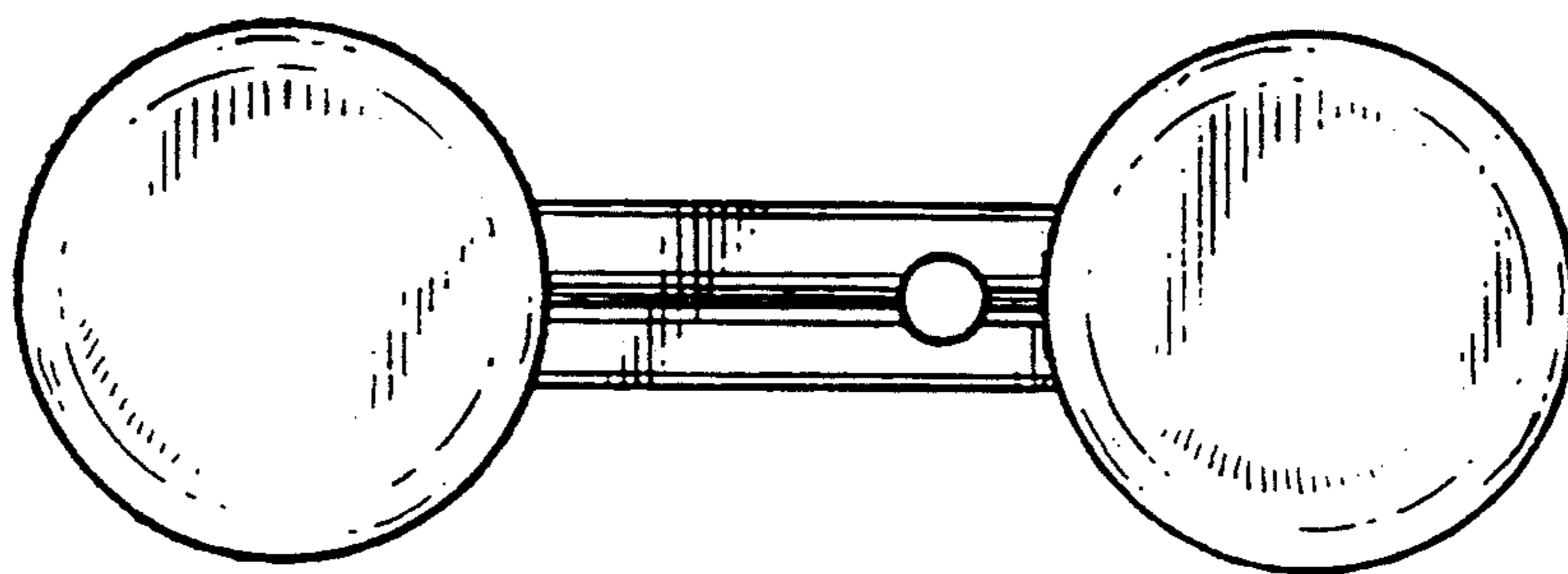


FIG. 3

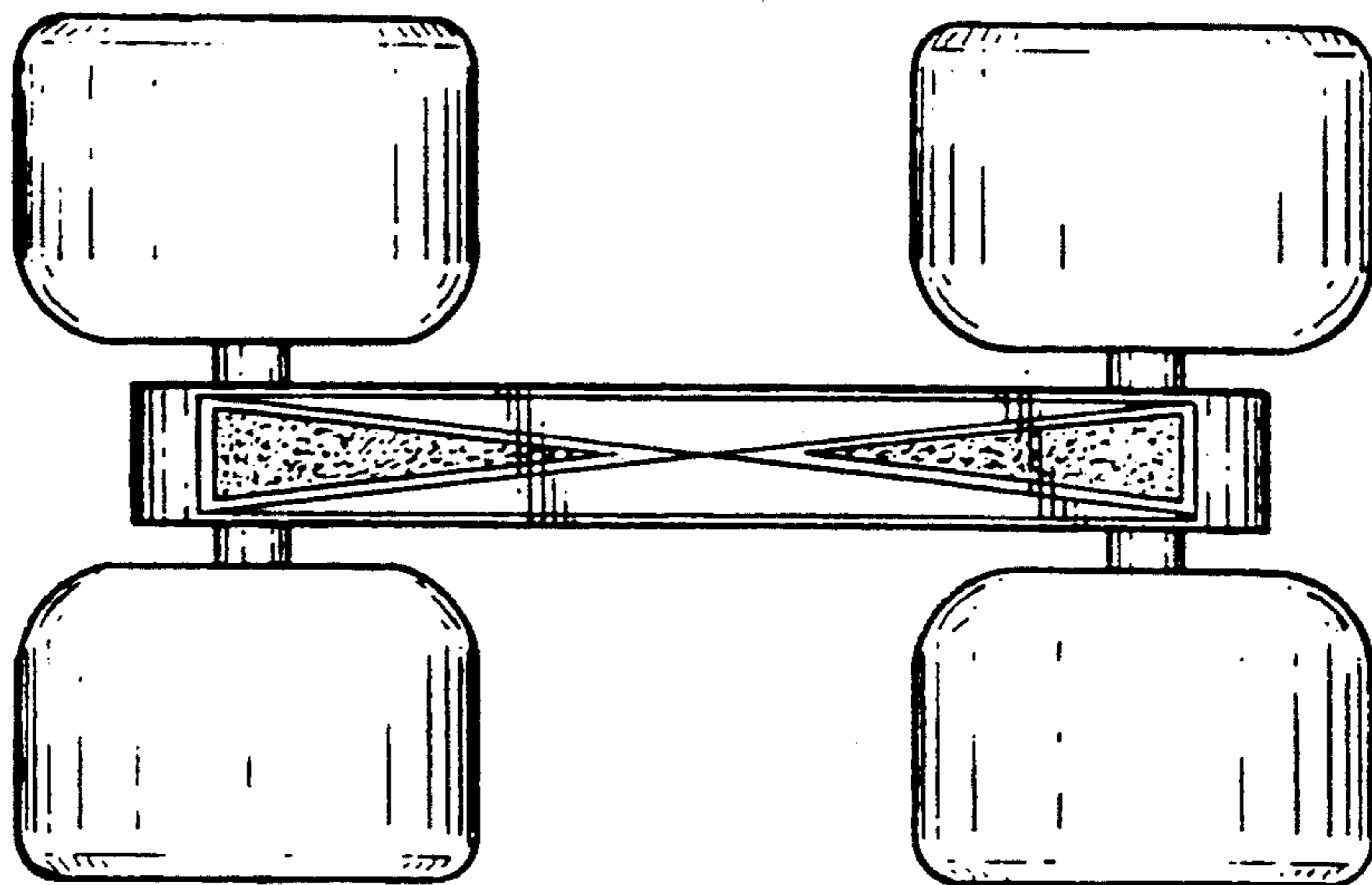


FIG. 4