



US00D347476S

United States Patent [19]

McDonald

[11] Patent Number: **Des. 347,476**

[45] Date of Patent: **** May 31, 1994**

[54] **COMBINED KNEE CUSHION AND ELEVATOR**

[75] Inventor: **Jack D. McDonald**, Pensacola, Fla.

[73] Assignee: **Florida Foam Fabricators, Inc.**, Pensacola, Fla.

[**] Term: **14 Years**

[21] Appl. No.: **897,973**

[22] Filed: **Jun. 15, 1992**

[52] U.S. Cl. **D24/190**

[58] Field of Search **5/630, 632, 648, 650; D6/601; D24/190, 192, 183**

[56] **References Cited**

U.S. PATENT DOCUMENTS

| | | | | |
|------------|--------|-------------|-------|-----------|
| D. 332,663 | 1/1993 | Liszewski | | D24/190 |
| 4,392,489 | 7/1983 | Wagner, Sr. | | 602/24 |
| 4,796,315 | 1/1989 | Crew | | D24/183 X |

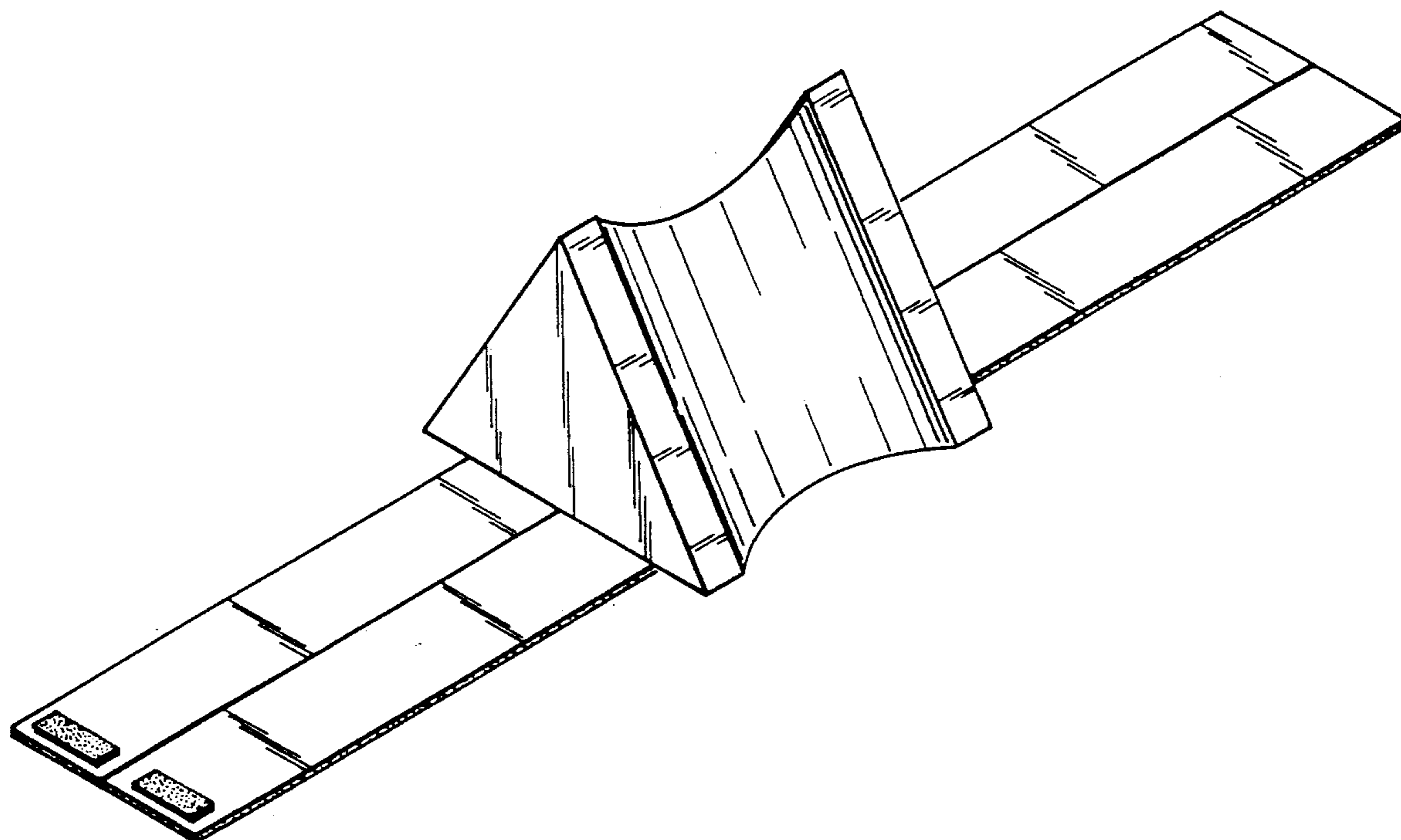
Primary Examiner—Stella Reid
Attorney, Agent, or Firm—George A. Bode

[57] **CLAIM**

The ornamental design for a combined knee cushion and elevator, as shown and described.

DESCRIPTION

FIG. 1 is a front elevational view of a combined knee cushion and elevator showing my new design;
 FIG. 2 is a top plan view thereof;
 FIG. 3 is a rear elevational view thereof, the broken line detail therein represents top-stitching;
 FIG. 4 is a bottom plan view thereof;
 FIG. 5 is a right side elevational view thereof;
 FIG. 6 is a right side elevational view thereof, the broken line showing of a leg is for illustrative purposes only and forms no part of the claimed design;
 FIG. 7 is a left side elevational view thereof; and,
 FIG. 8 is a top front perspective view thereof.



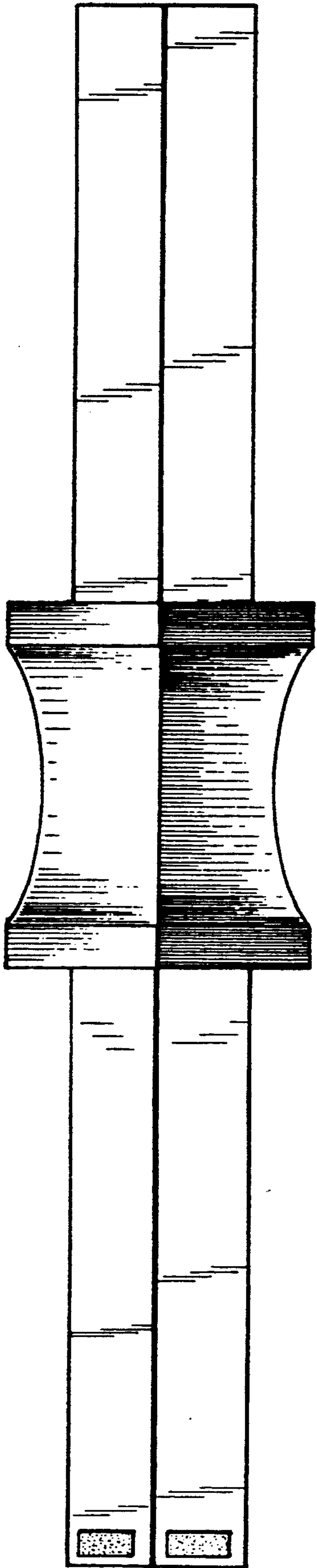


FIG. 1

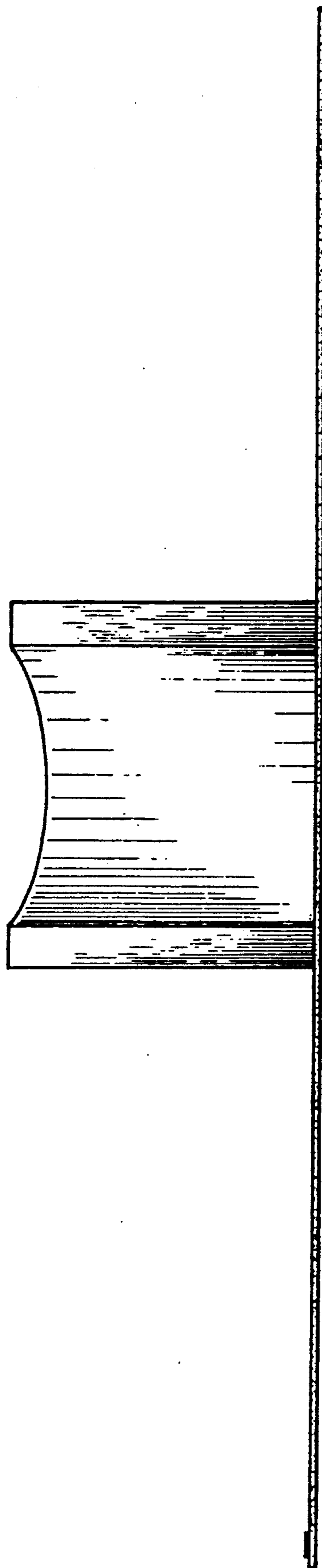


FIG. 2

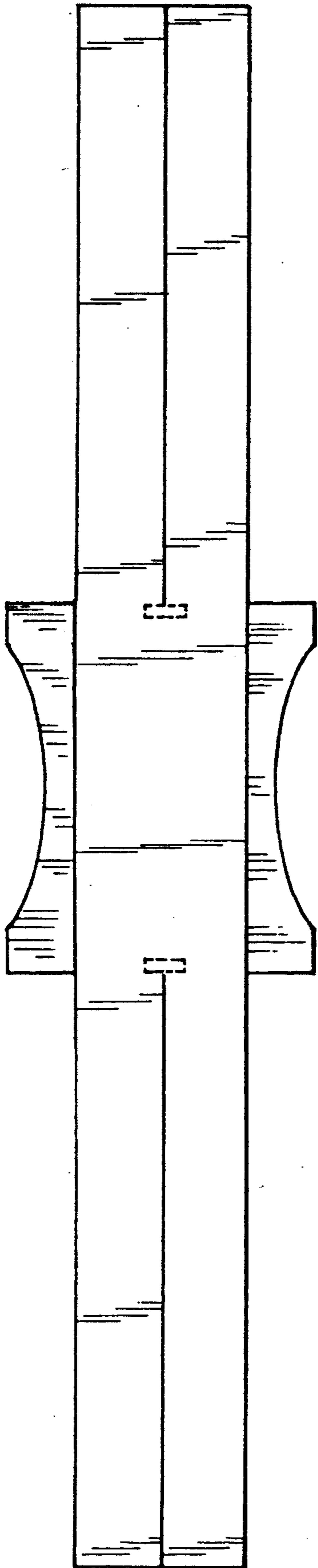


FIG. 3

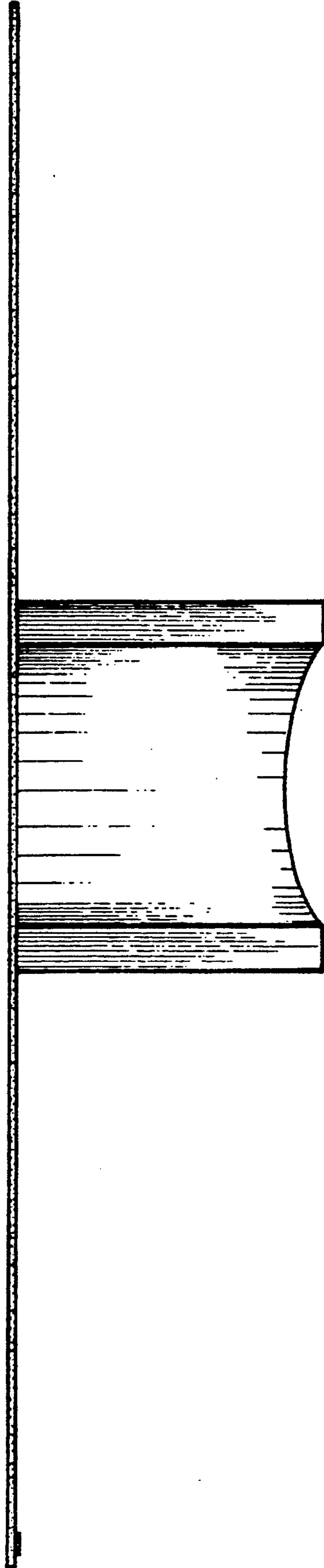


FIG. 4

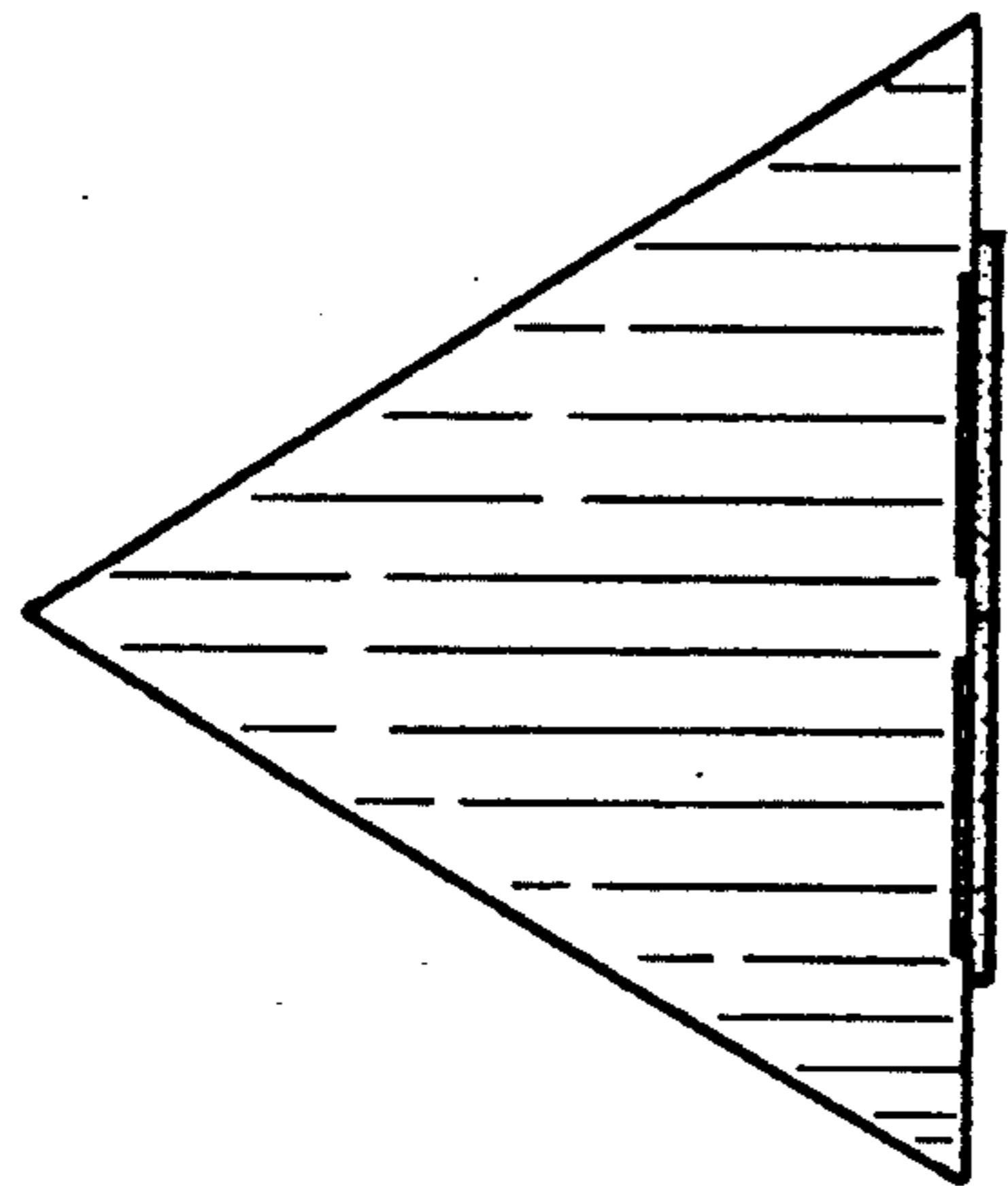


FIG. 5

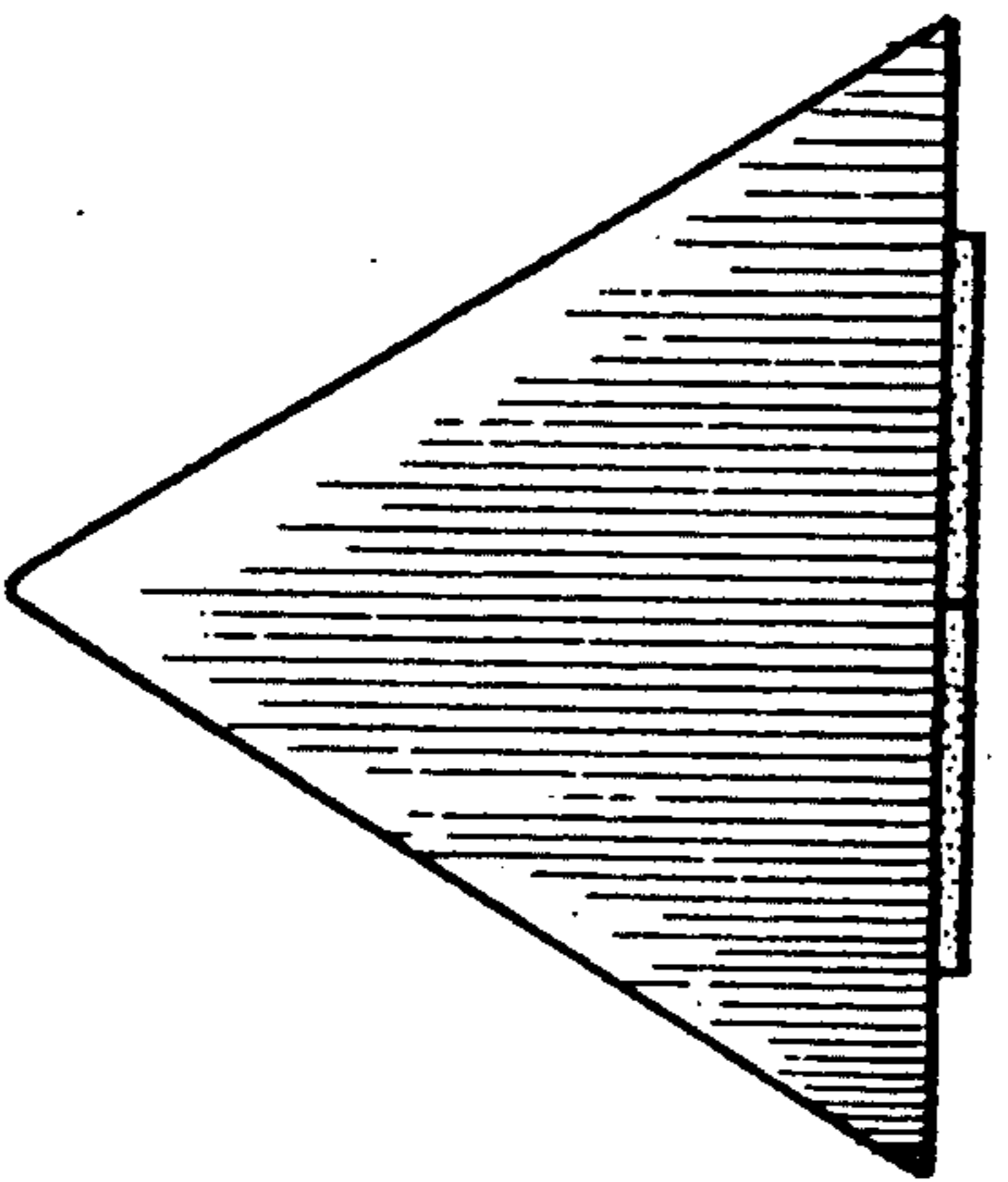


FIG. 6

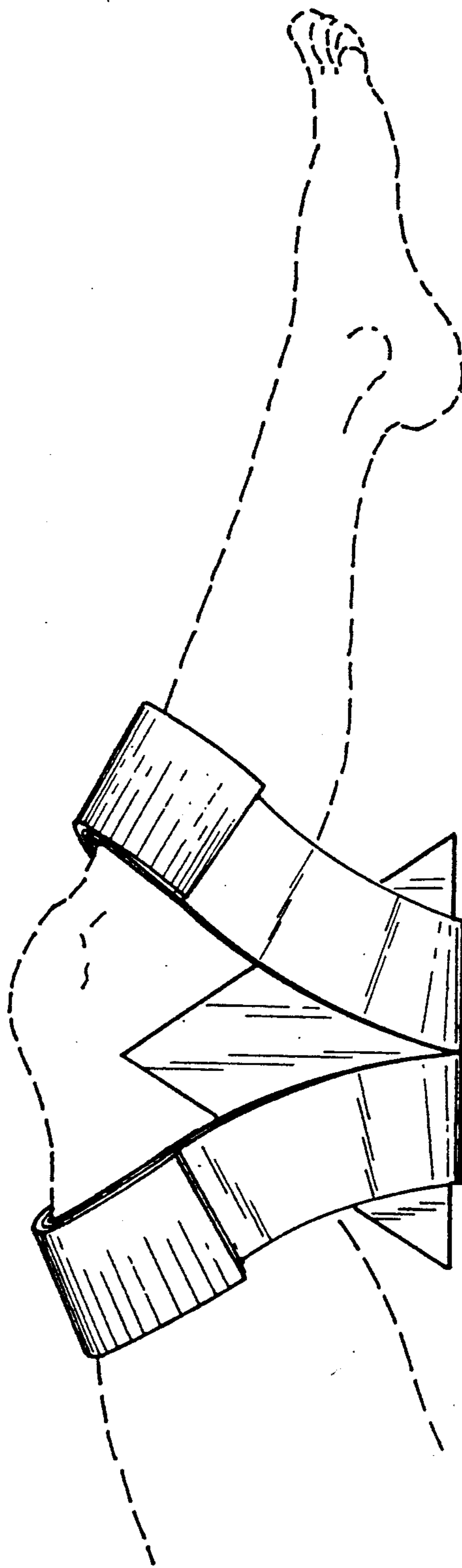


FIG. 7

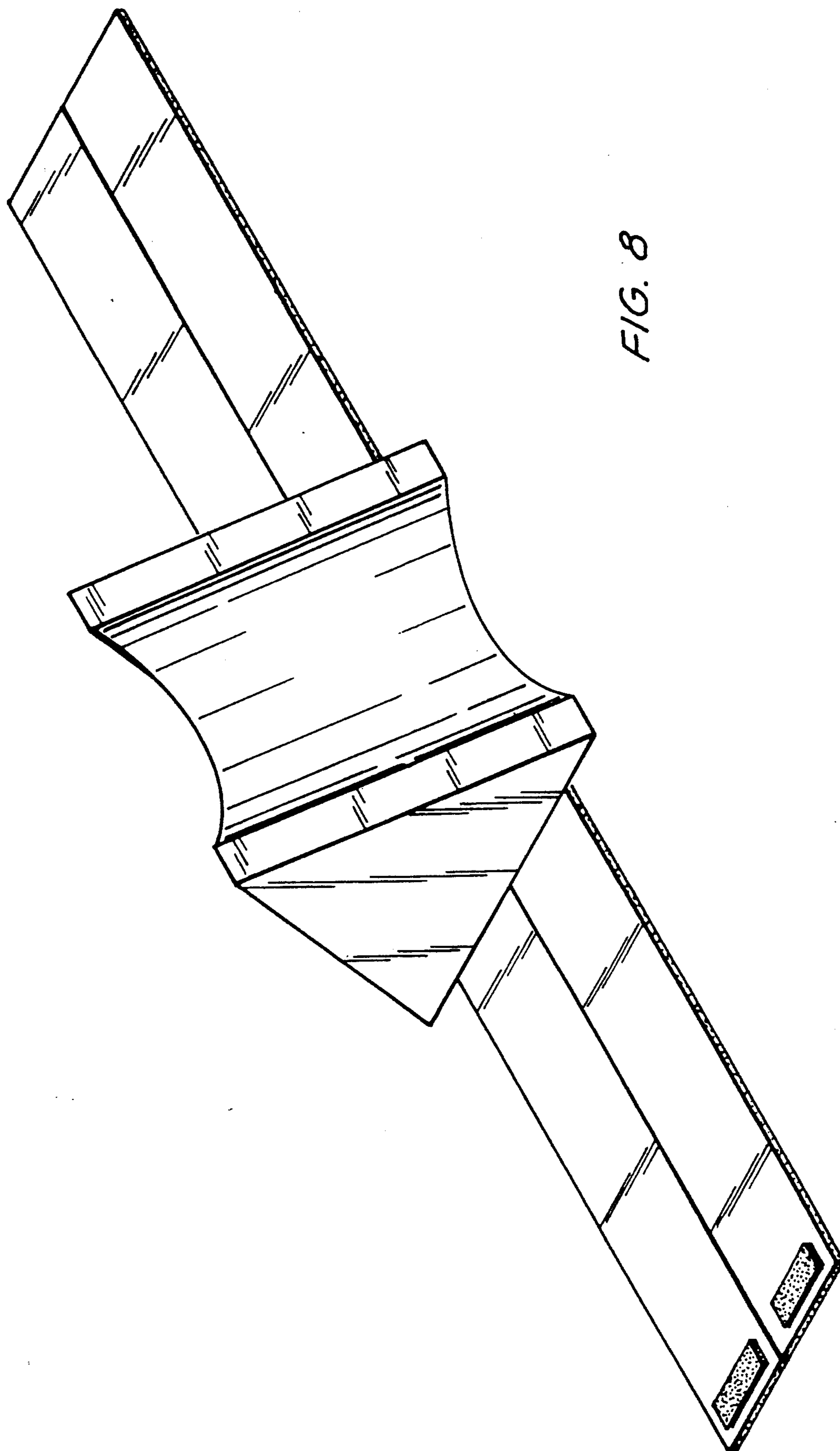


FIG. 8