



US00D347470S

United States Patent [19]

[11] Patent Number: **Des. 347,470**

Kehrberger

[45] Date of Patent: **** May 31, 1994**

[54] **POTPOURRI CANISTER**

[76] Inventor: **Ethel Kehrberger, 885 Hawthorne, Ypsilanti, Mich. 48198**

[**] Term: **14 Years**

[21] Appl. No.: **948,888**

[22] Filed: **Sep. 21, 1992**

[52] U.S. Cl. **D23/366**

[58] Field of Search **422/5, 120, 122, 305; 239/52, 57, 58, 55; 392/390, 392, 393, 395; D23/366-369**

2,734,769	2/1956	Holz	299/24
2,738,224	3/1956	Turner et al.	299/24
2,759,228	8/1956	Gordon	21/127
2,766,067	10/1956	Shinberg	299/20
2,778,678	1/1957	Shields et al.	299/24
2,809,863	10/1957	Curran	299/24
3,021,692	2/1962	Gaugler	62/271
3,065,915	11/1962	Samann	239/35
3,424,380	1/1969	Curran	239/60
3,434,300	3/1969	Rueth et al.	62/309
4,200,220	4/1980	Spector	239/57
4,617,157	10/1986	Stein et al.	261/96
4,666,670	5/1987	Cox	422/124
4,840,773	6/1989	Wade	422/124
4,905,898	3/1990	Wade	239/6
5,007,529	4/1991	Spector	206/0.5

[56] **References Cited**

U.S. PATENT DOCUMENTS

D. 338,953	8/1993	Kehrberger	D23/366
1,080,716	12/1913	Rand, Jr.	239/55
1,131,307	3/1915	Wunschow	422/124
1,246,529	11/1917	Bieder	422/124
1,439,881	12/1922	Fontaine	422/124
1,528,640	3/1925	Tvrzicky et al.	422/124
1,552,082	9/1925	Riley	239/52
1,758,347	5/1930	Beibin	383/12
1,911,871	5/1933	Andersen	422/124
1,954,893	4/1934	Saeks	96/152
1,977,760	10/1934	Freestone	167/3
2,136,254	11/1938	Sargent	21/120
2,352,075	6/1944	Brownstein	299/24
2,369,375	2/1945	Sonntny	21/74
2,438,129	3/1948	Rich	299/24
2,556,608	6/1951	Will	299/24
2,681,827	6/1954	Racz	299/24

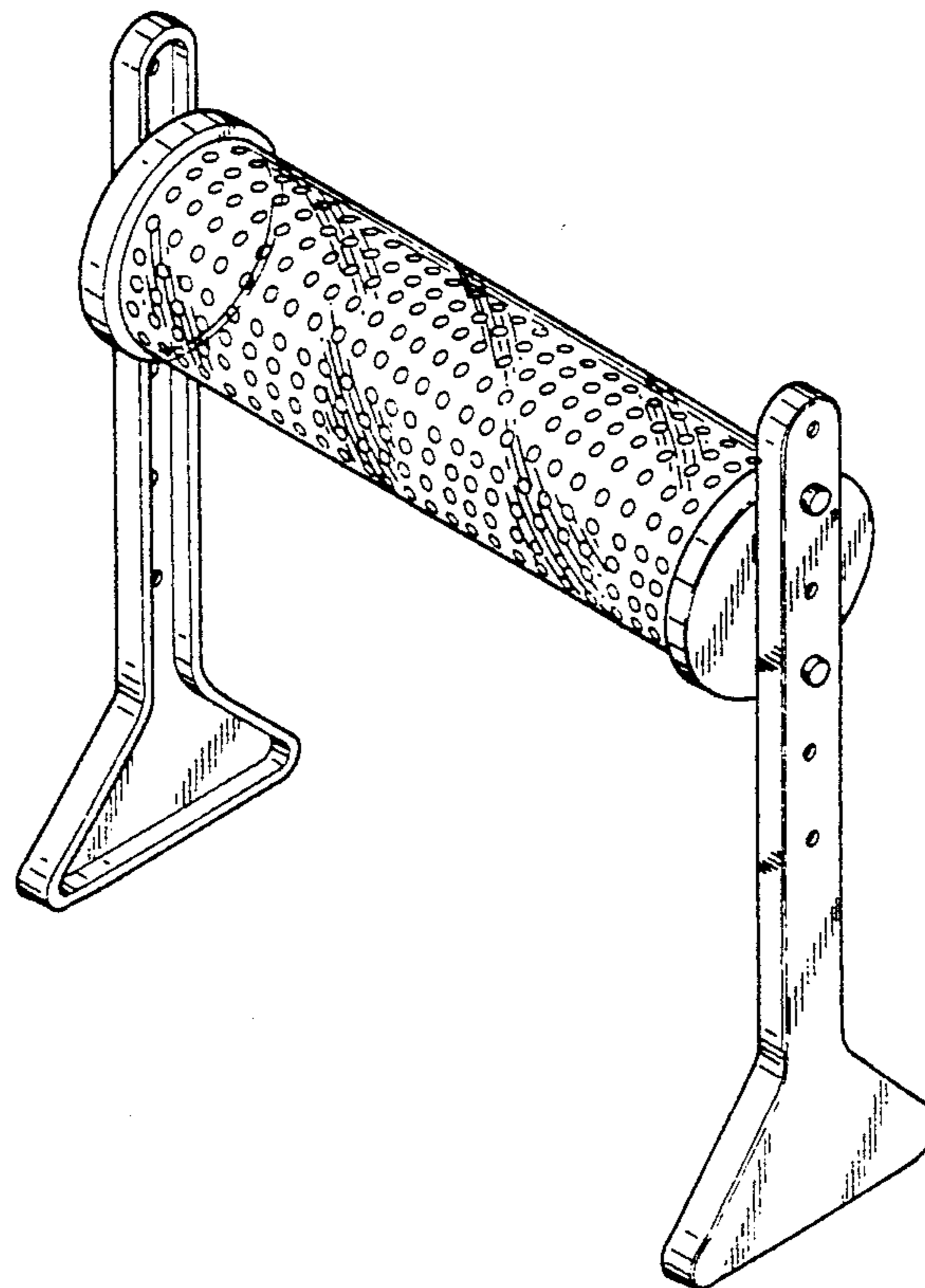
Primary Examiner—Wallace R. Burke
Assistant Examiner—Lisa Lichtenstein
Attorney, Agent, or Firm—Krass & Young

[57] **CLAIM**

The ornamental design for a potpourri canister, as shown and described.

DESCRIPTION

FIG. 1 is a front perspective view of a potpourri canister embodying my inventive design; FIG. 2 is a rear perspective view of the potpourri canister; FIG. 3 is a right side view of the potpourri canister, the left side view is substantially identical; FIG. 4 is a top view of the potpourri canister; and, FIG. 5 is a bottom view of the potpourri canister.



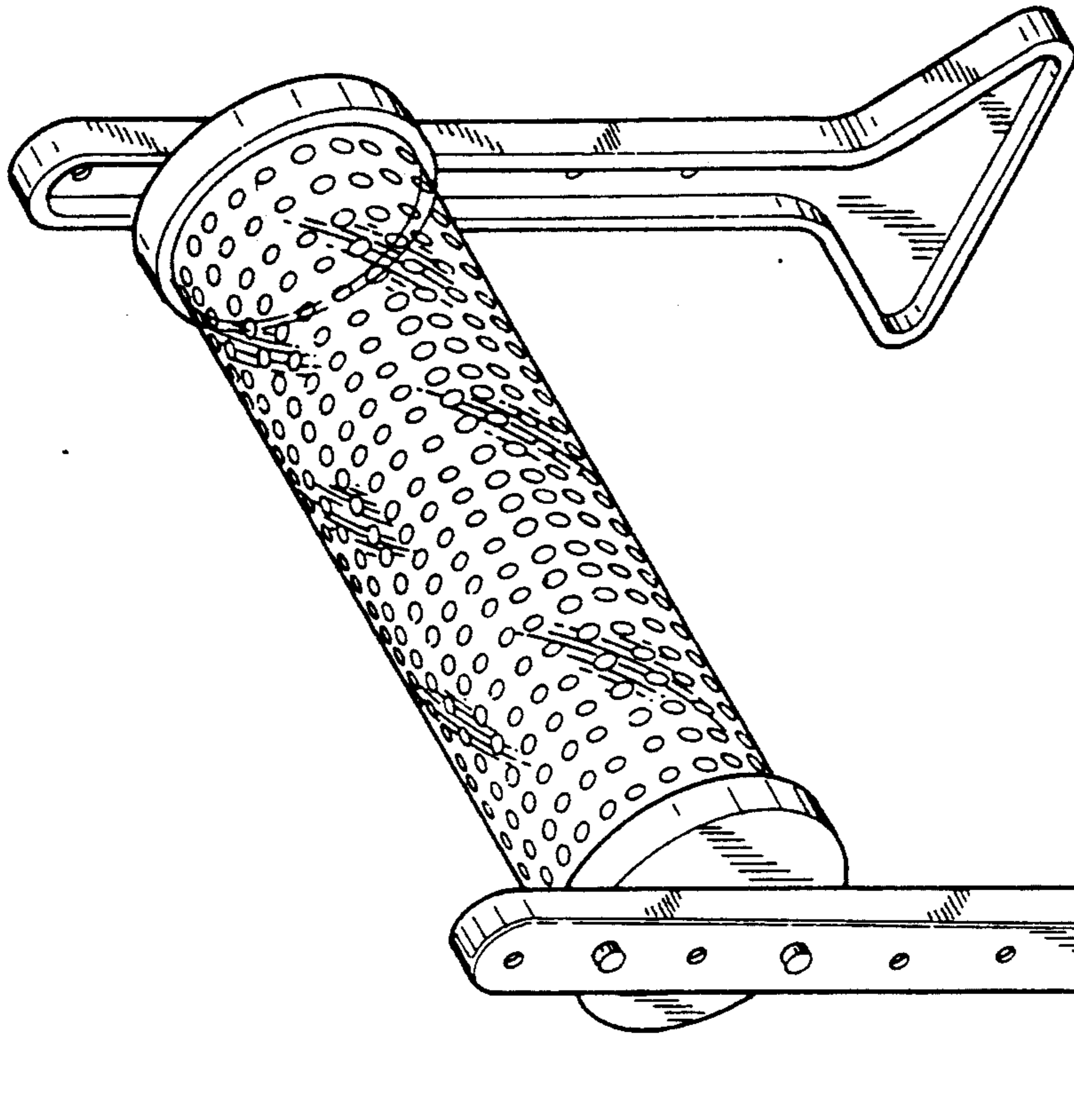


FIG-2

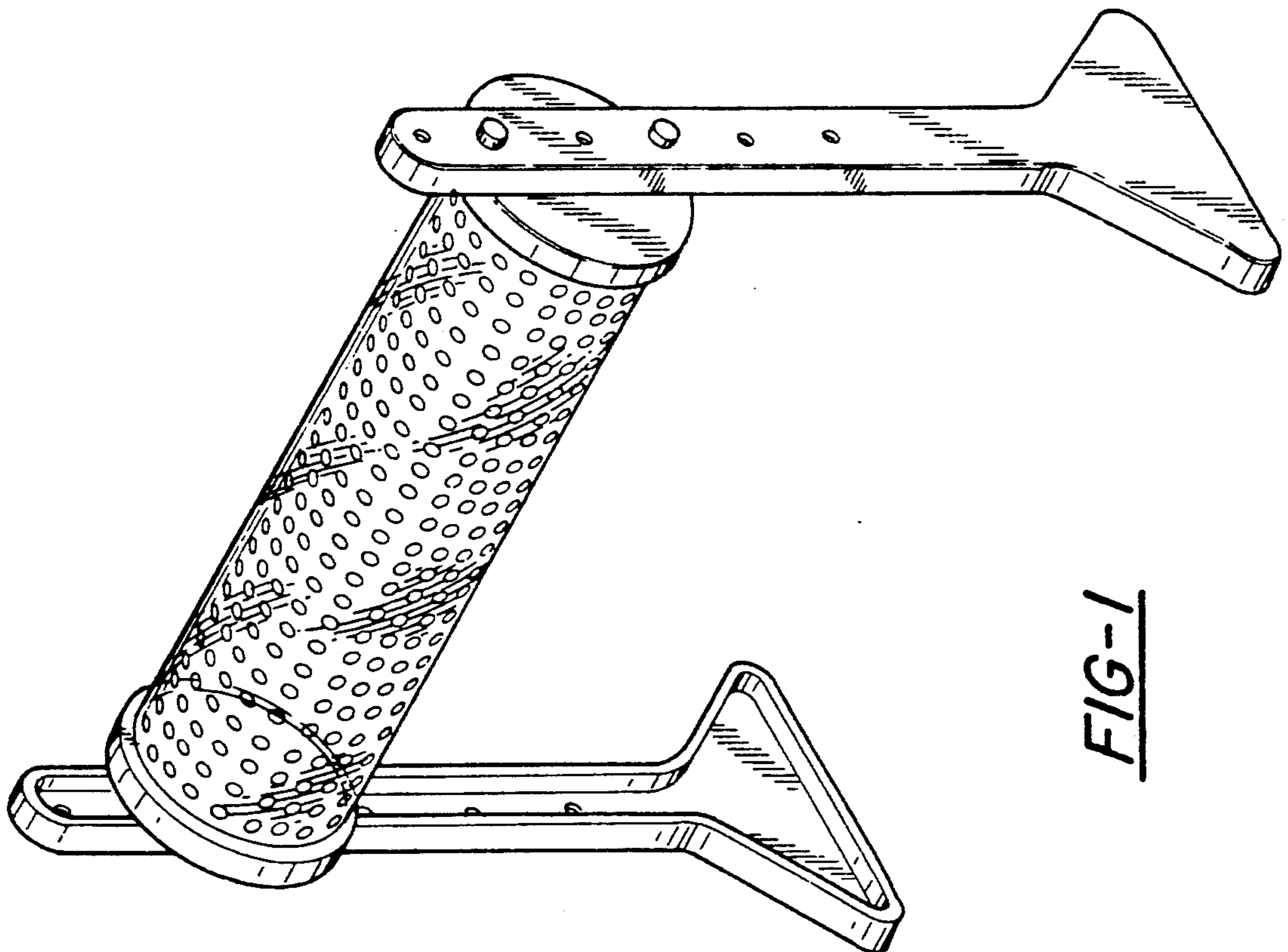


FIG-1

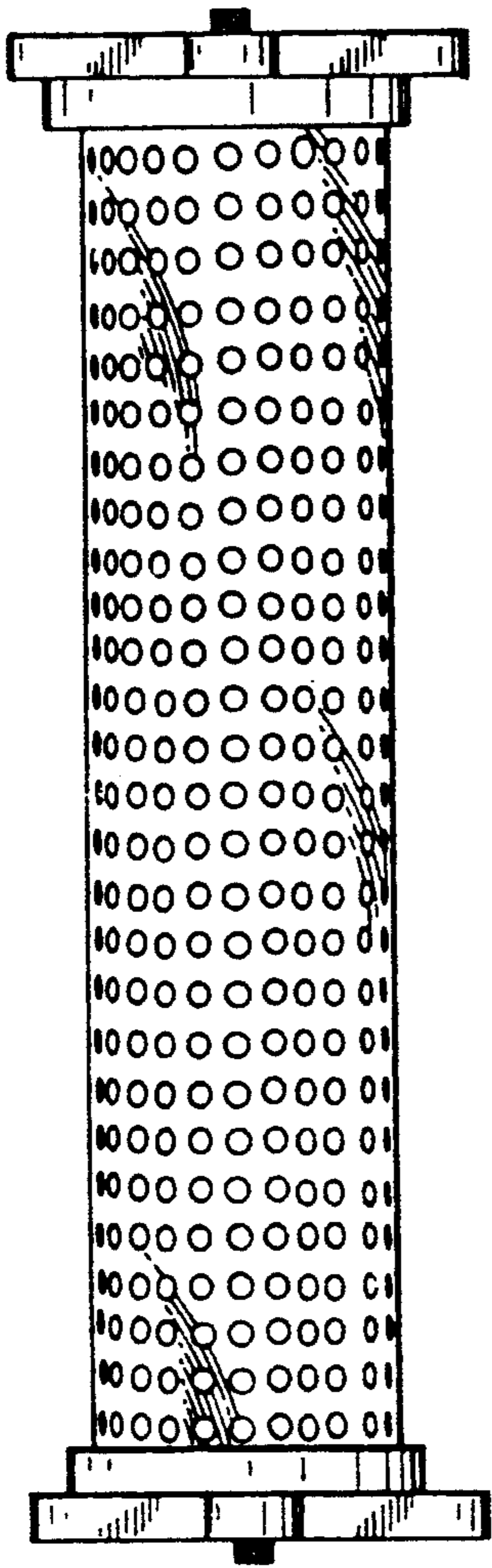


FIG-4

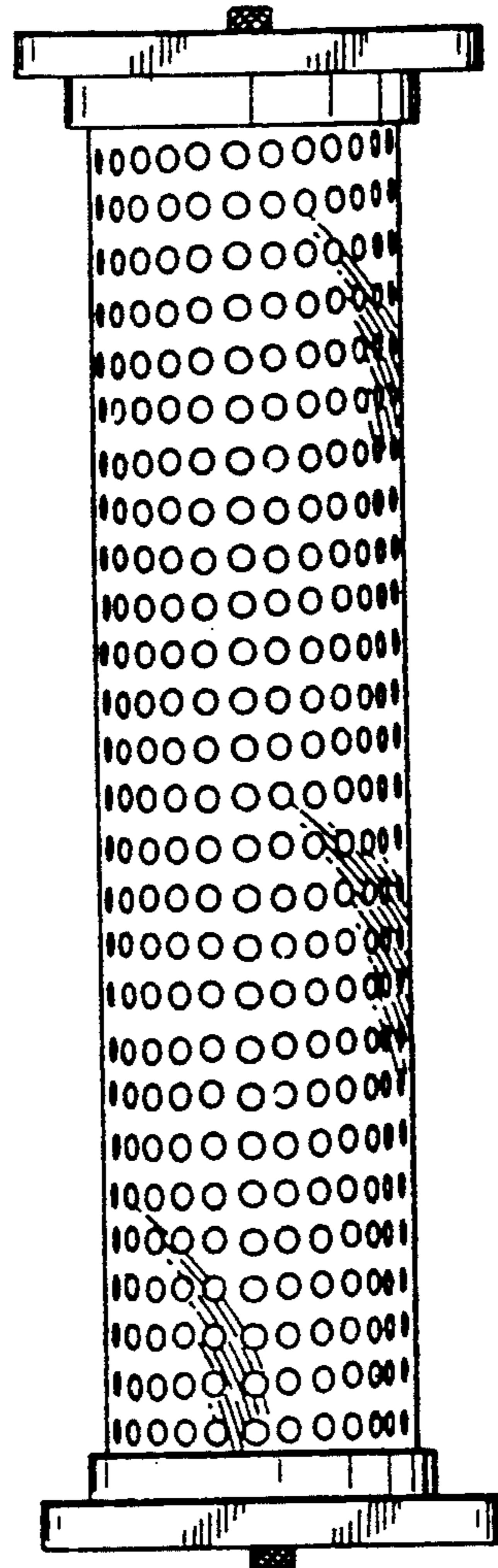


FIG-5

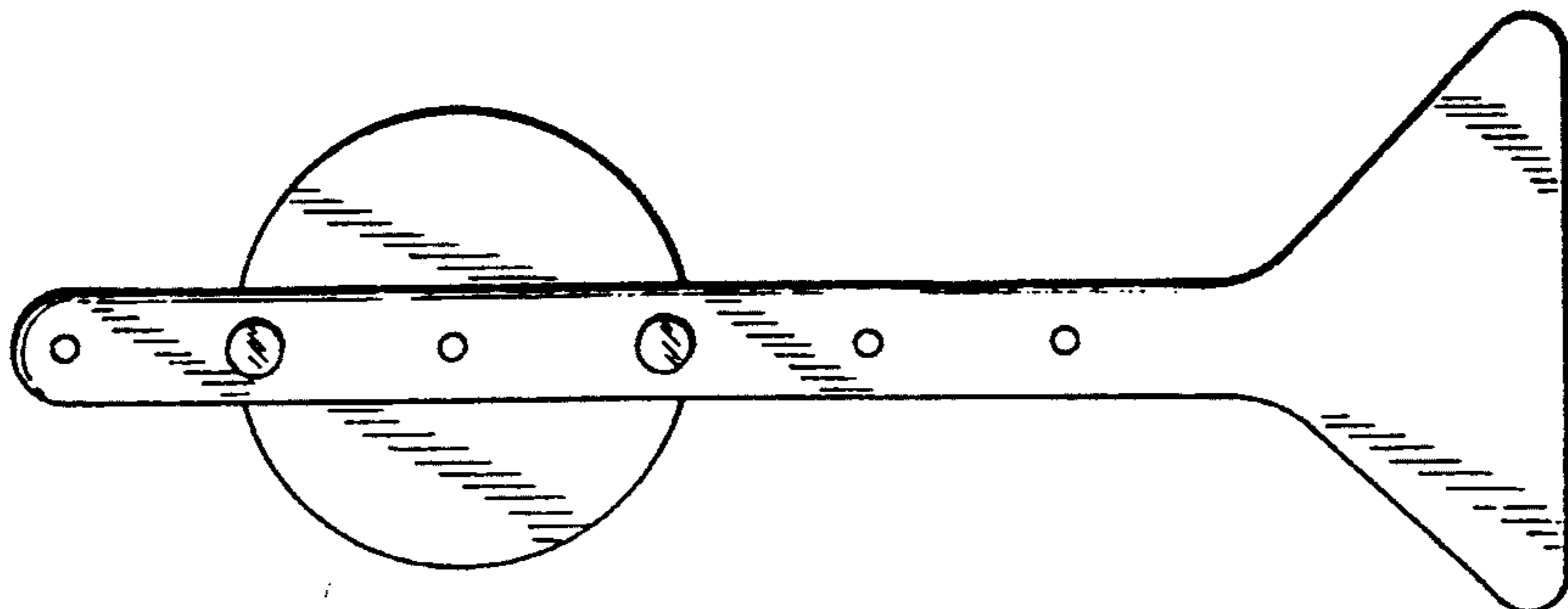


FIG-3