



US00D347469S

# United States Patent [19]

Hunniford

[11] Patent Number: **Des. 347,469**

[45] Date of Patent: **\*\* May 31, 1994**

[54] **AIR SCRUBBER UNIT FOR USE IN REMOVAL OF POLLUTANTS FROM THE AIR**

[75] Inventor: **David J. Hunniford, Sarasota, Fla.**

[73] Assignee: **Davis Water & Waste Industries, Inc., Tallevast, Fla.**

[\*\*] Term: **14 Years**

[21] Appl. No.: **708,624**

[22] Filed: **May 31, 1991**

[52] U.S. Cl. .... **D23/364**

[58] Field of Search ..... **55/93, 94; 261/22; 422/170; D23/364**

[56] **References Cited**

**U.S. PATENT DOCUMENTS**

692,255	2/1902	Doolan	261/22
973,120	10/1910	Lloyd	261/117
1,657,822	1/1928	Frechou	210/747
1,790,975	2/1931	Dallas et al.	210/199
1,993,175	3/1935	Libbey et al.	210/747
2,585,440	2/1952	Collins	55/223
2,603,354	7/1952	Way et al.	210/196
2,716,489	8/1955	Way	210/140
2,879,893	3/1959	Stebbins	210/108
3,282,432	11/1966	Greenleaf, Jr.	210/264

3,312,348	4/1967	Greenleaf, Jr.	210/264
3,768,234	10/1973	Hardison	55/223
3,936,281	2/1976	Kermeier	55/89
4,039,307	8/1977	Bondor	261/125
4,157,962	6/1979	Huang et al.	210/798
4,211,656	7/1980	Cochrane	210/149
4,251,486	2/1981	Sohda	55/223
4,588,535	5/1986	Foidl	55/223
4,642,188	2/1987	DeVisser et al.	210/33.1

**FOREIGN PATENT DOCUMENTS**

658750	4/1938	Fed. Rep. of Germany	261/22
25116	of 1931	Netherlands	261/125

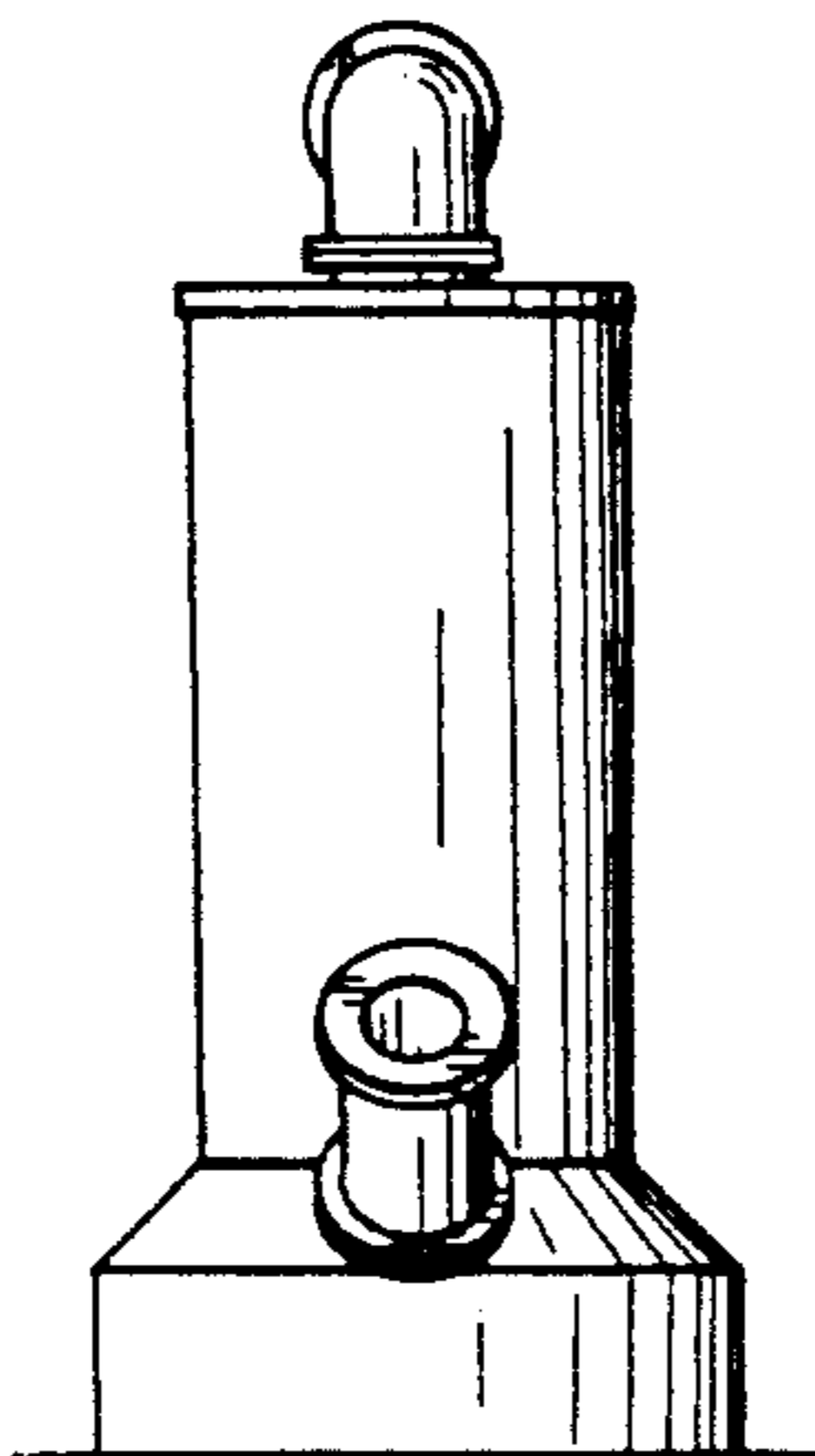
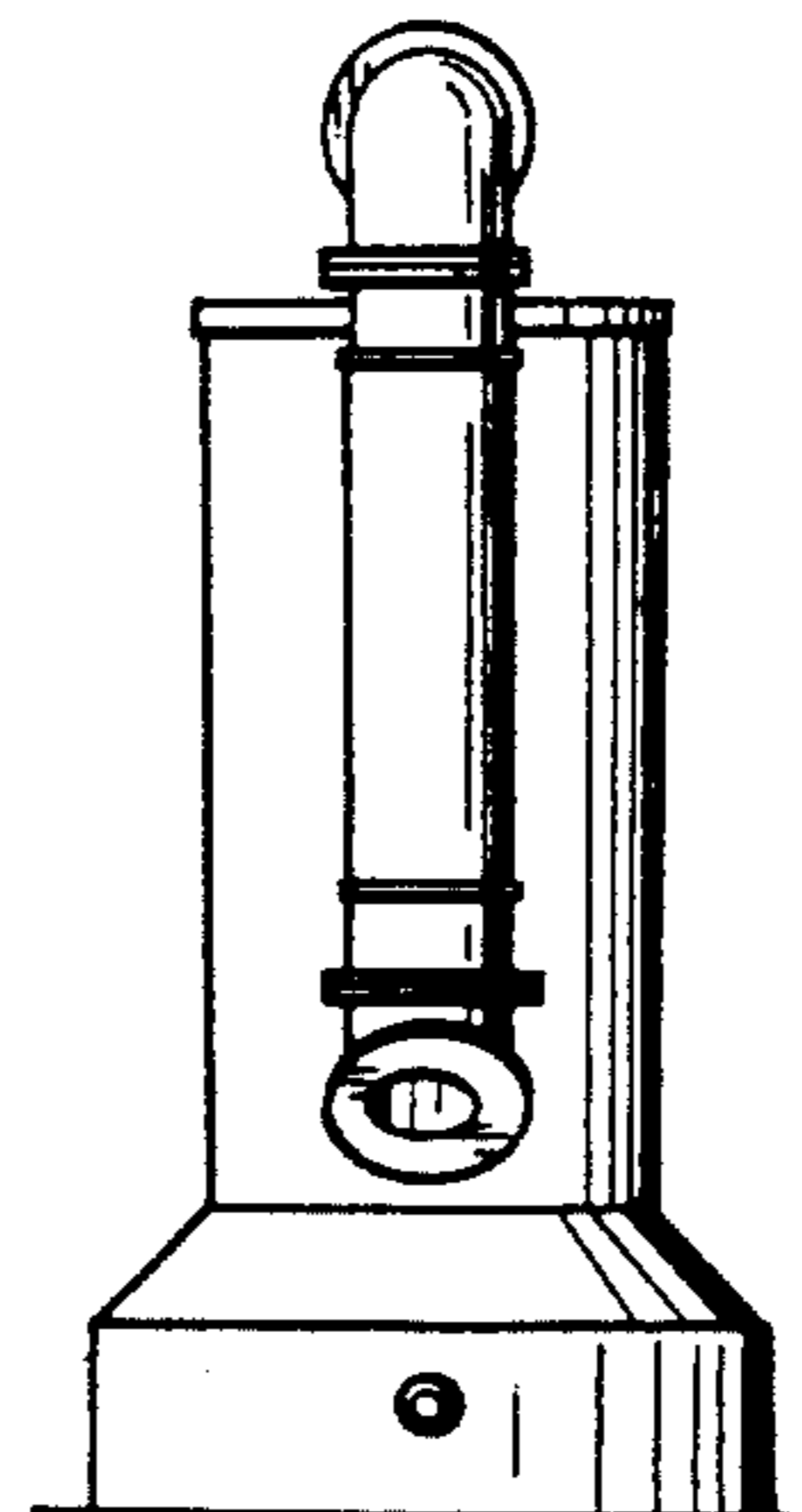
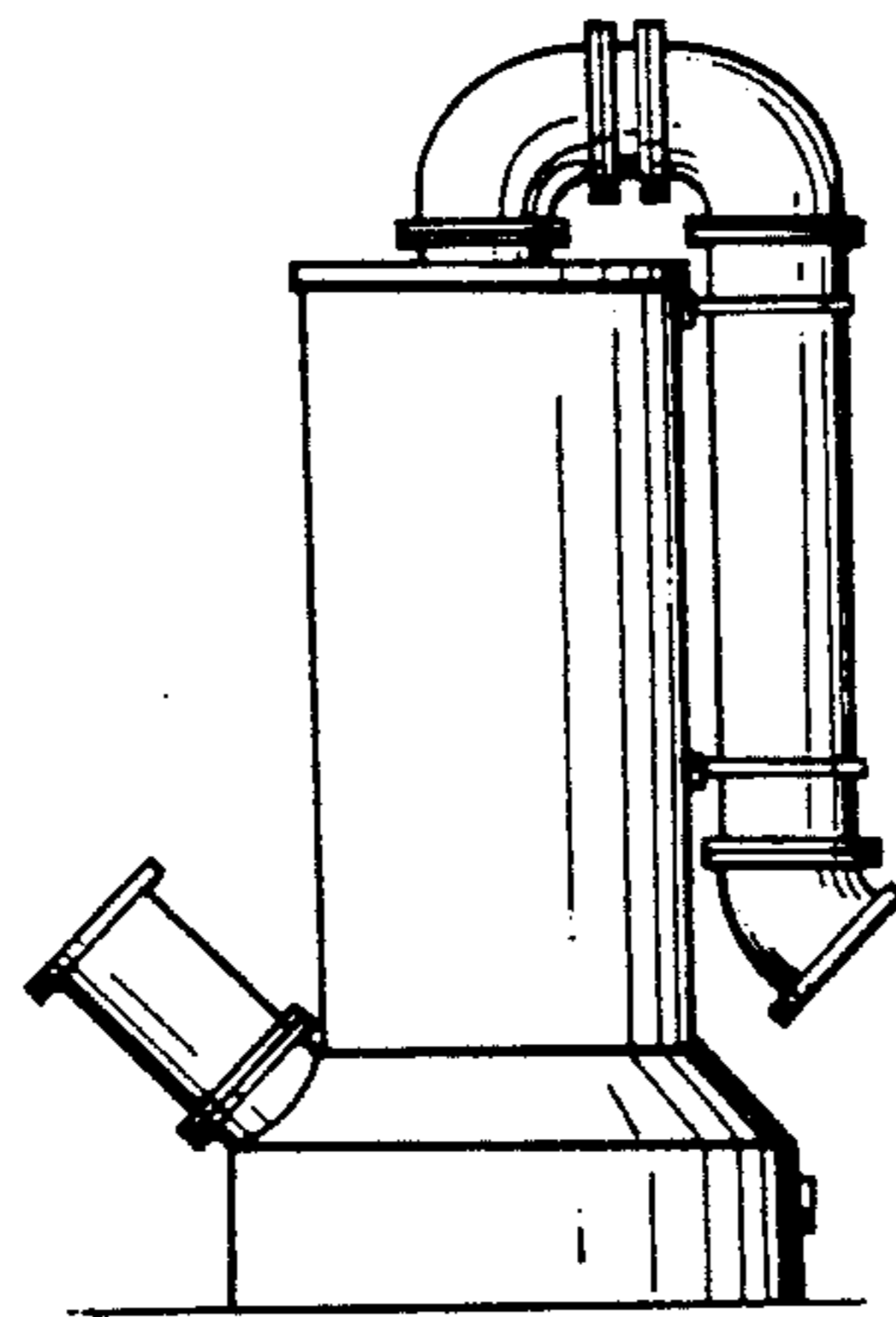
*Primary Examiner*—Wallace R. Burke  
*Assistant Examiner*—Lisa Lichtenstein  
*Attorney, Agent, or Firm*—Nixon & Vanderhye

[57] **CLAIM**

The ornamental design for an air scrubber unit for use in removal of pollutants from the air, as shown and described.

**DESCRIPTION**

FIG. 1 is a right side view of an air scrubber unit for use in removal of pollutants from the air showing my new design, the left side being identical to that shown; FIG. 2 is a top view thereof; FIG. 3 is a front view thereof; and, FIG. 4 is a rear view thereof.



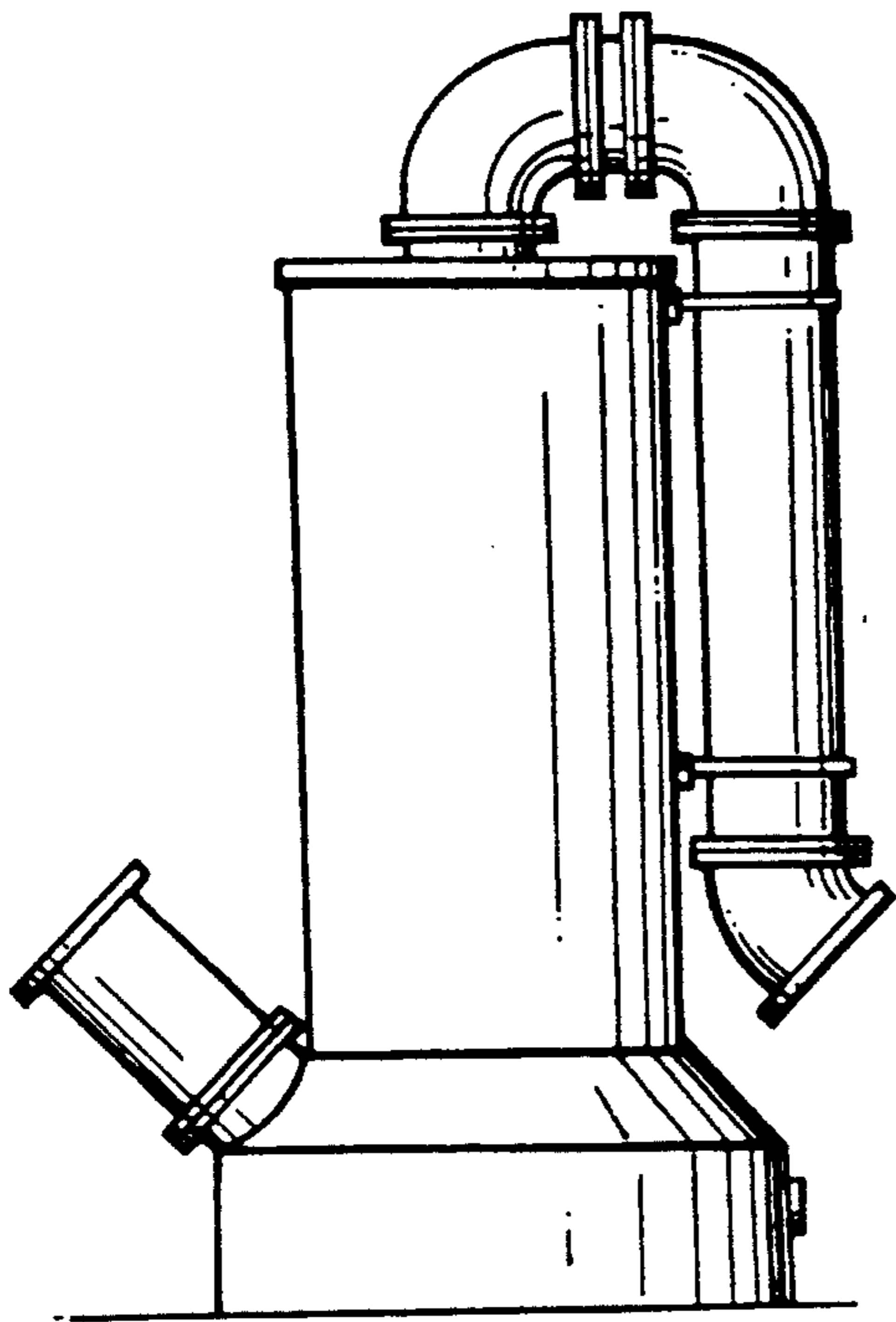


FIG. 1

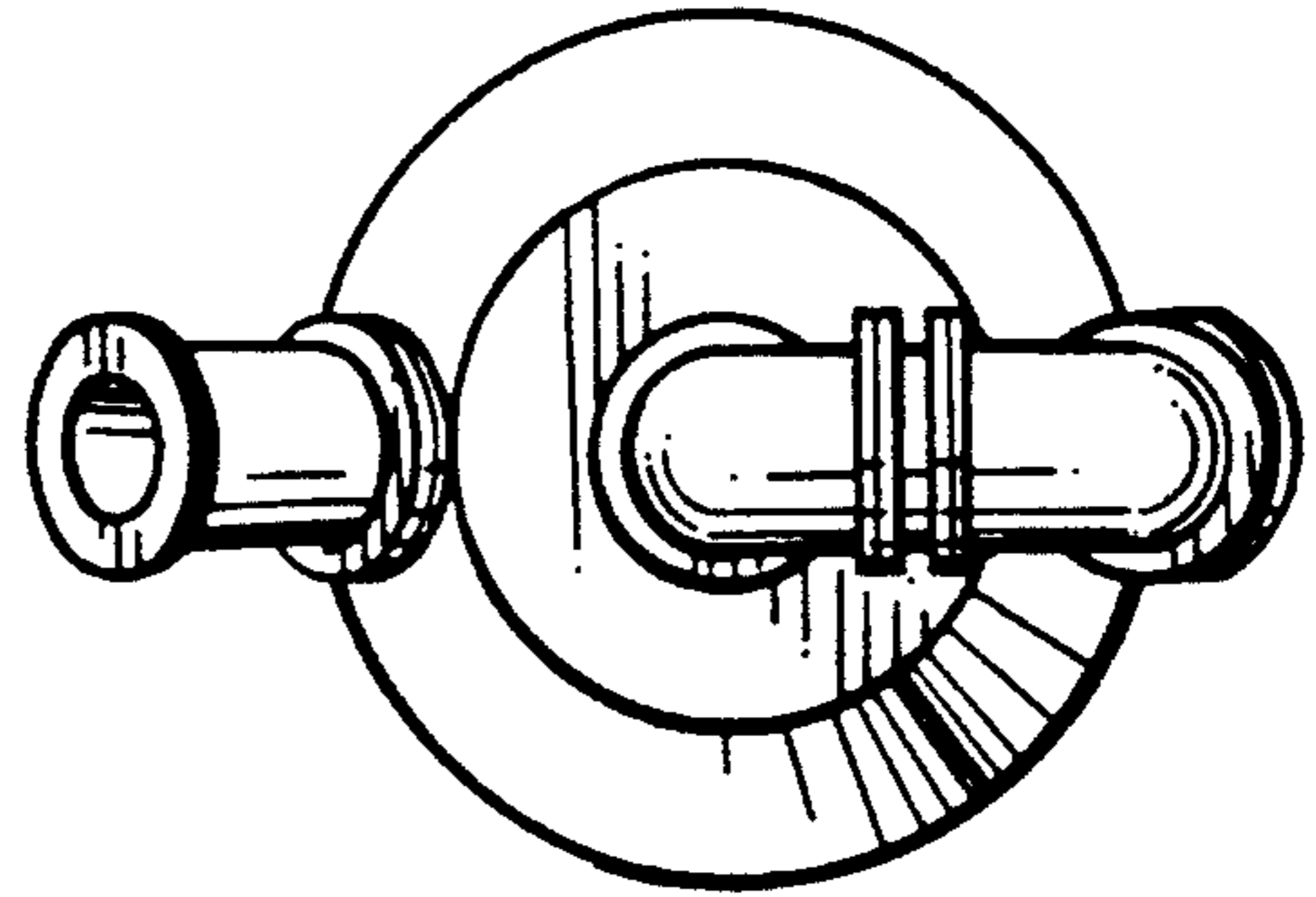


FIG. 2

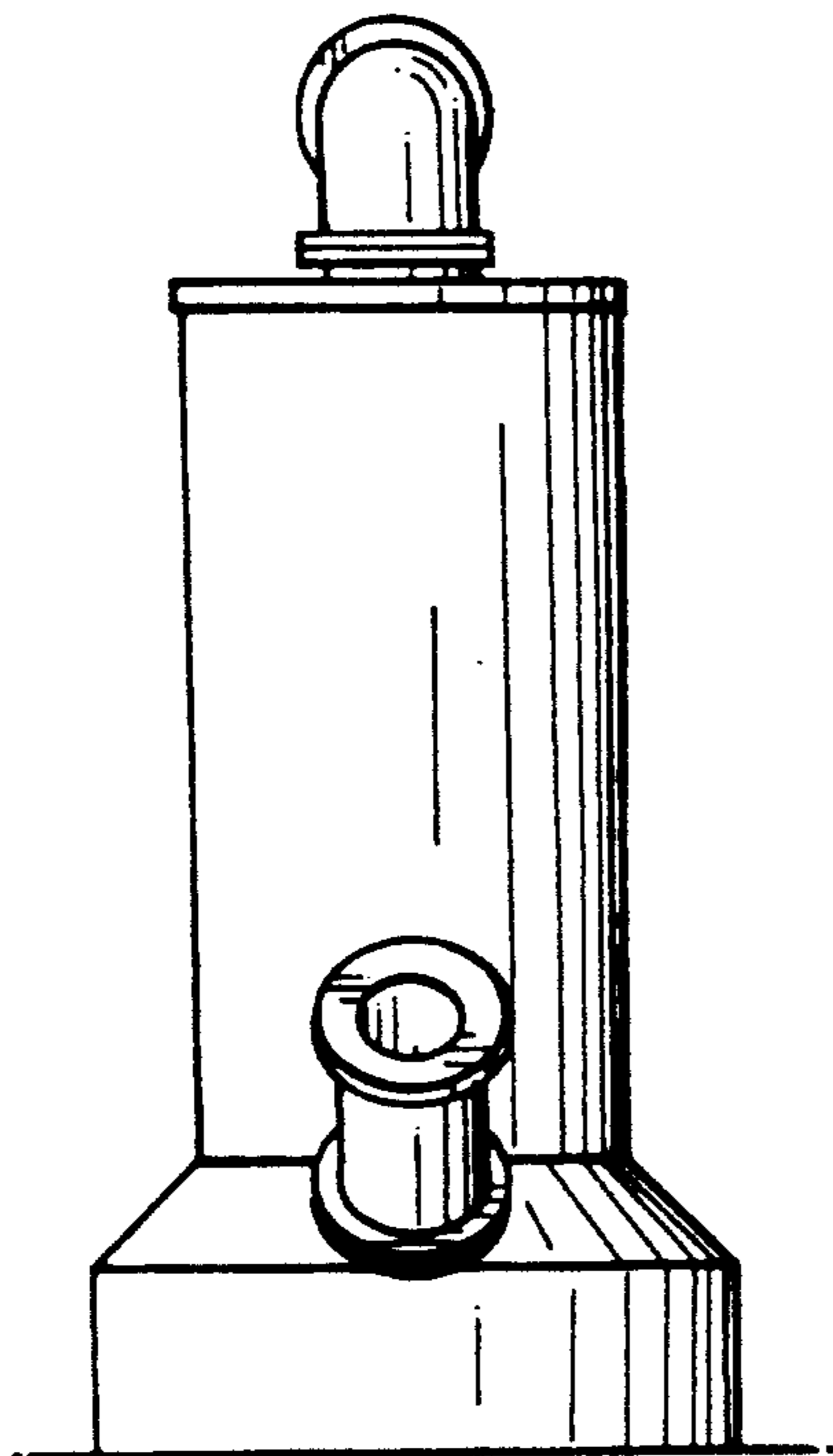


FIG. 3

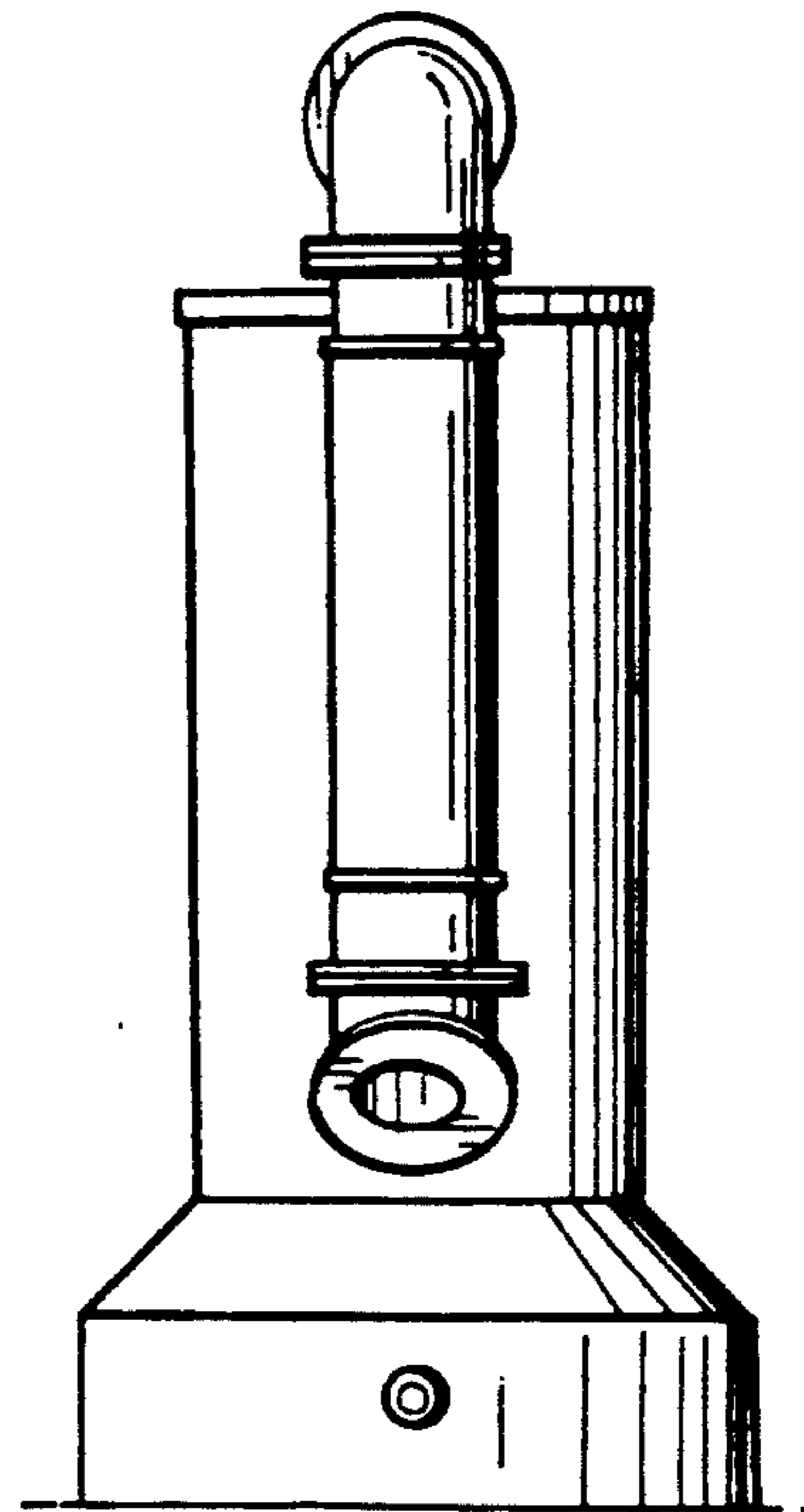


FIG. 4