



US00D347468S

# United States Patent [19]

[11] Patent Number: **Des. 347,468**

**Johnson**

[45] Date of Patent: **\*\* May 31, 1994**

[54] **CLOTHES WASHER INSTALLATION RECEPTACLE**

3,186,427	6/1965	Martin et al. .	
3,263,242	8/1966	Will .....	D23/283
3,990,959	12/1976	Caruth .	
4,069,837	1/1978	Jirasek .	
4,410,004	10/1983	Kifer et al. .	
4,716,925	1/1988	Prather .	

[76] Inventor: **Addison M. Johnson**, 1346 E. Juniper Beach Rd., Camano Island, Wash. 98292

*Primary Examiner*—Ruth McInroy  
*Attorney, Agent, or Firm*—Hughes & Multer

[\*\*] Term: **14 Years**

[57] **CLAIM**

[21] Appl. No.: **891,458**

The ornamental design for a clothes washer installation receptacle, as shown and described.

[22] Filed: **May 29, 1992**

[52] U.S. Cl. .... **D23/270**

[58] Field of Search ..... 137/312-314, 137/343, 360, 362, 377; 68/208; 222/108; 4/251.1, 655, 656, 658; D32/1, 6-8, 10-13, 28, 25; D23/270-283, 303-304

**DESCRIPTION**

FIG. 1 is a top perspective view of an installation receptacle for a clothes washer showing my new design; FIG. 2 is a left side elevational view thereof; FIG. 3 is a front elevational view thereof; FIG. 4 is a top plan view thereof; FIG. 5 is a rear elevational view thereof; and, FIG. 6 is a bottom plan view thereof.

[56] **References Cited**

**U.S. PATENT DOCUMENTS**

D. 299,523	1/1989	Poulin .....	D23/283
D. 337,154	7/1993	Simpson .....	D23/270
2,389,724	11/1945	Falco .....	D23/283
3,096,781	7/1963	Roidt .....	137/314
3,148,698	9/1964	Arnold .	

The clothes washer shown in broken lines in FIG. 1 is shown for illustrative purposes only and forms no part of the claimed design.

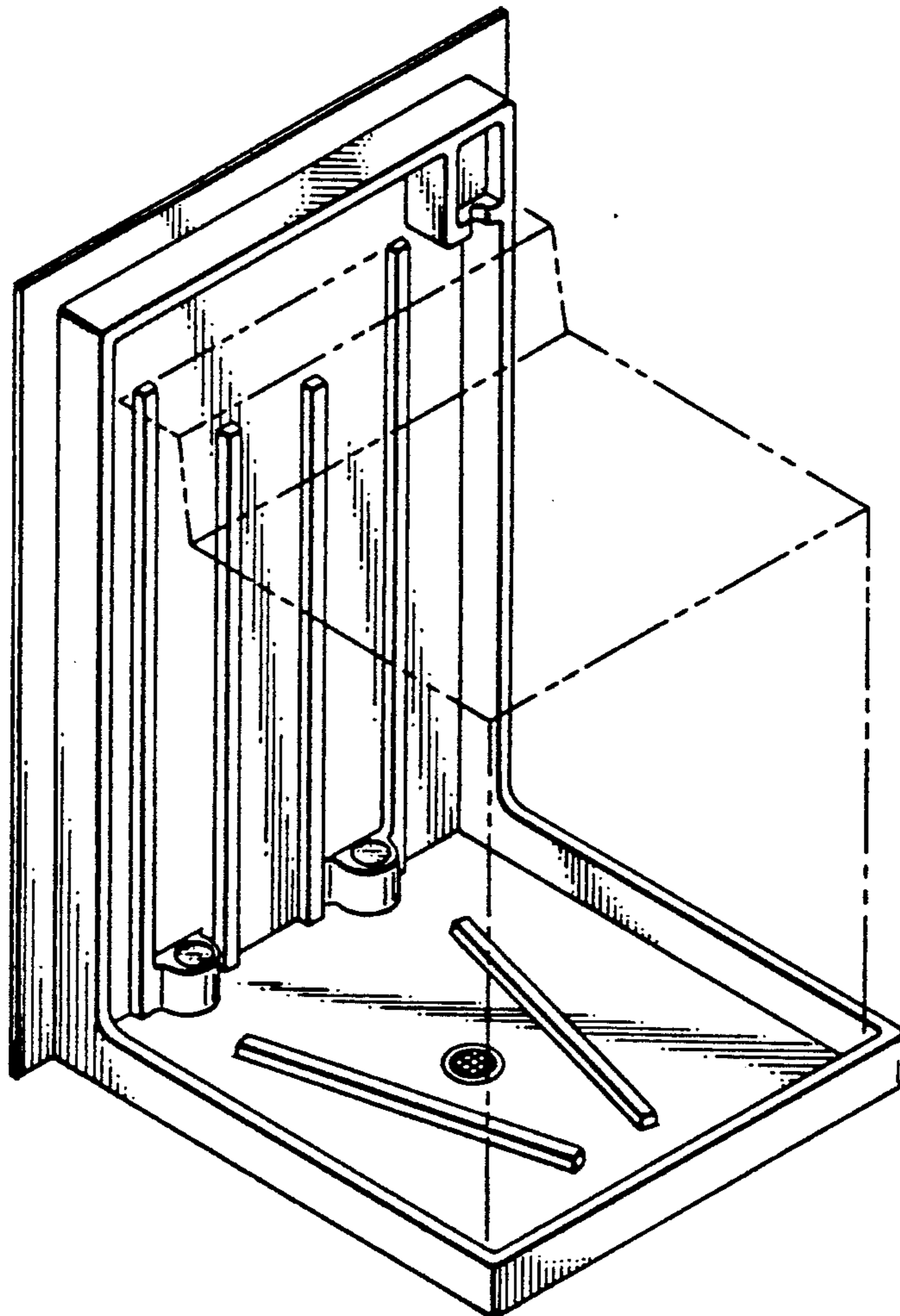


FIG. 1

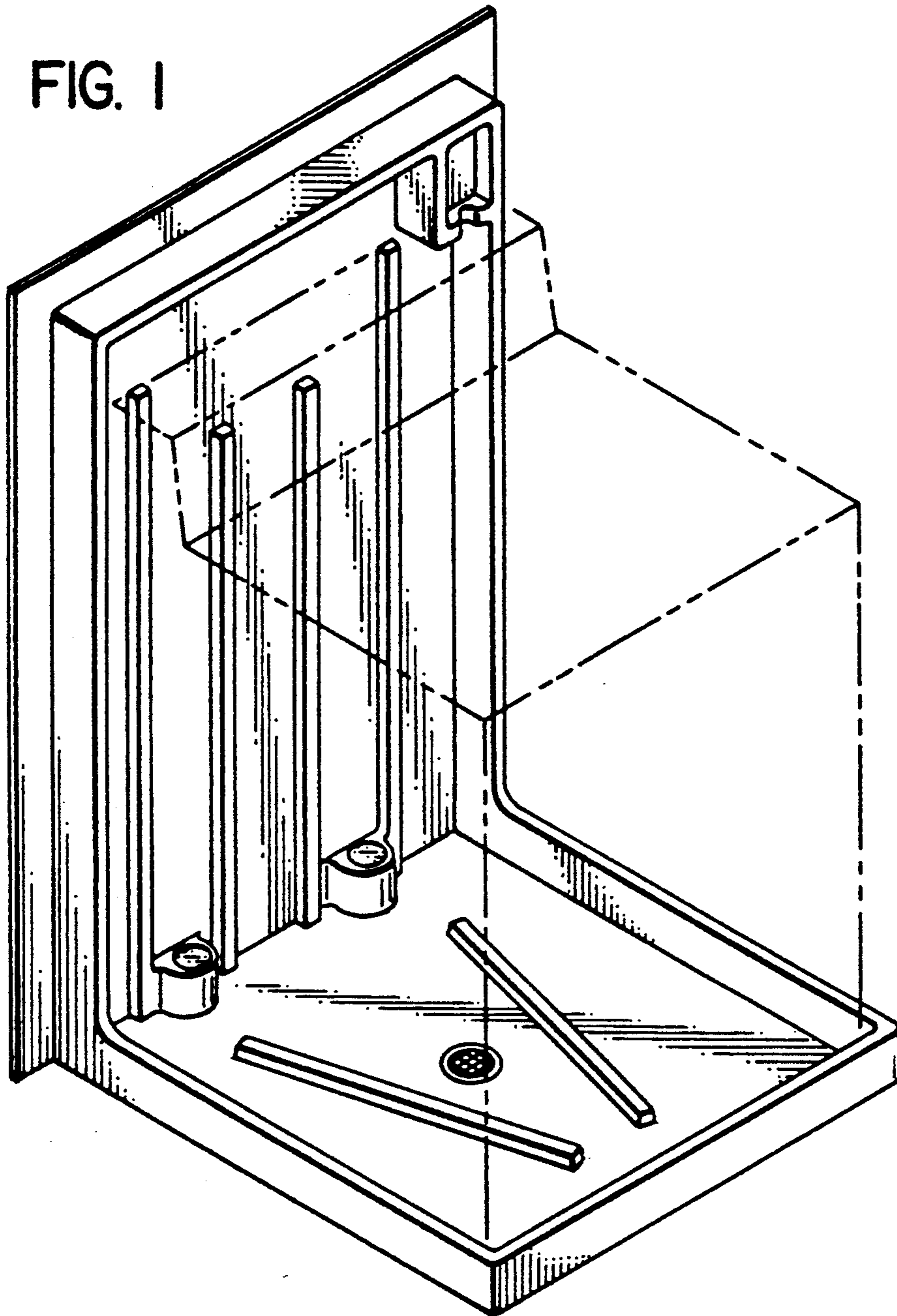


FIG. 2

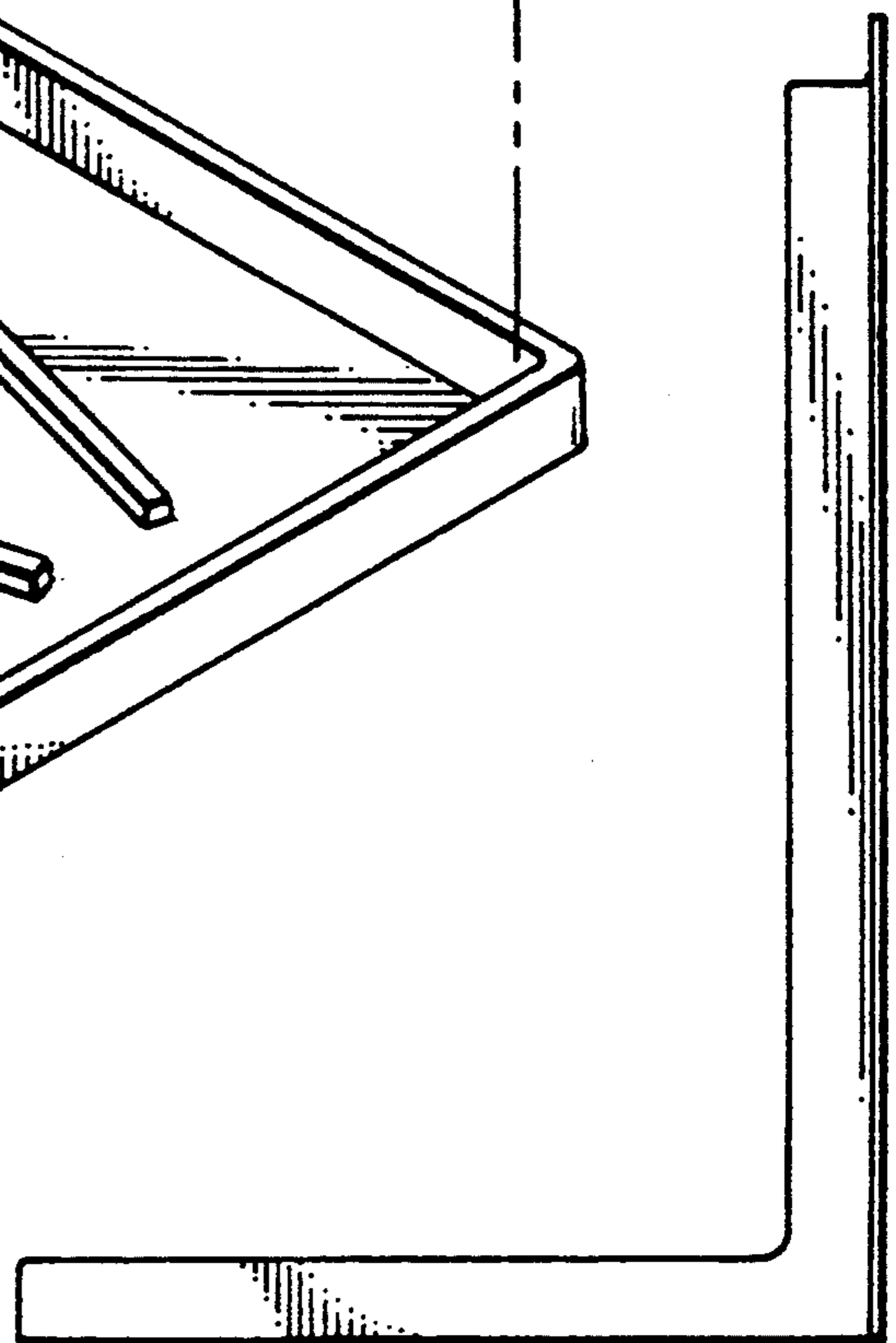


FIG. 3

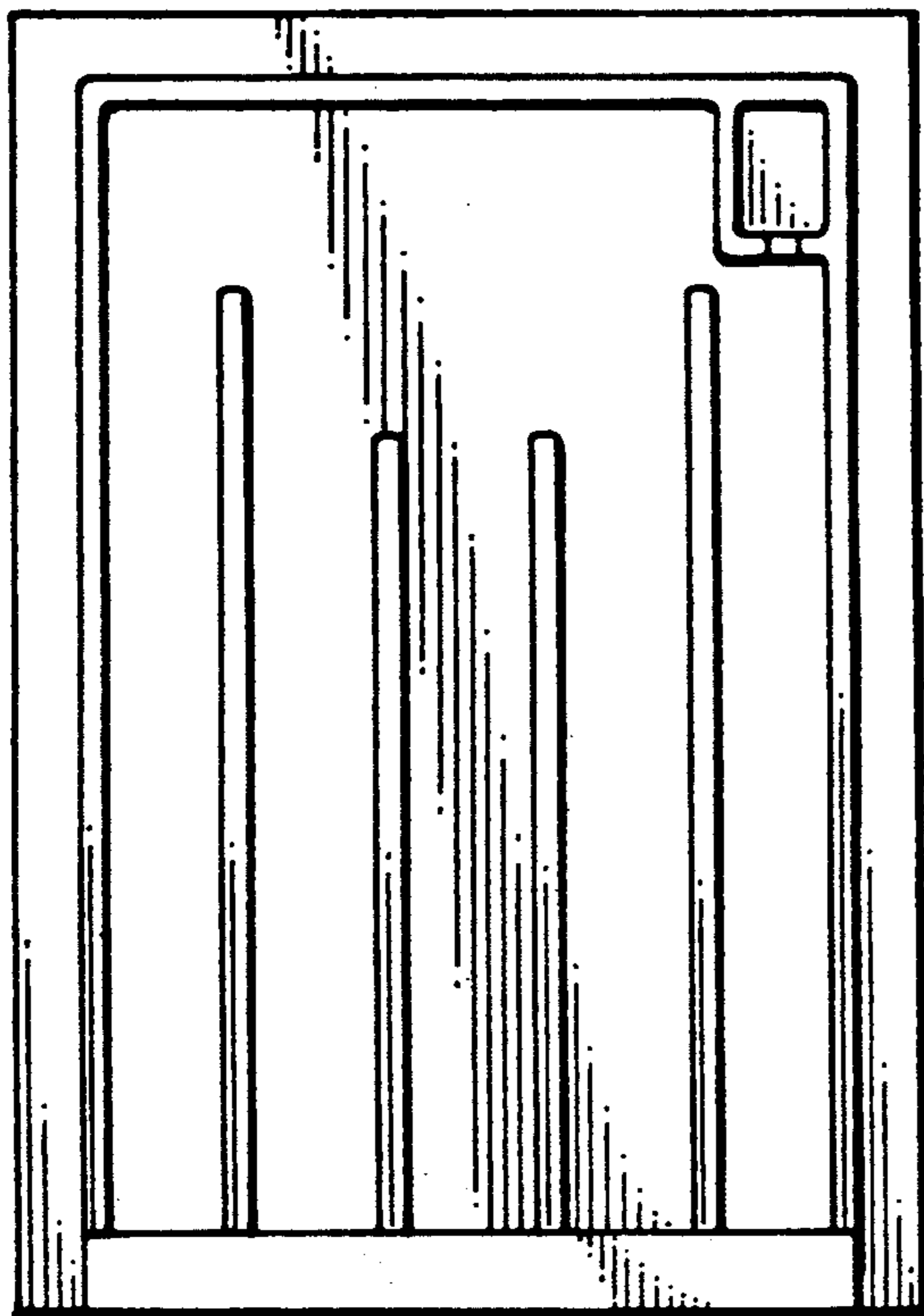


FIG. 5

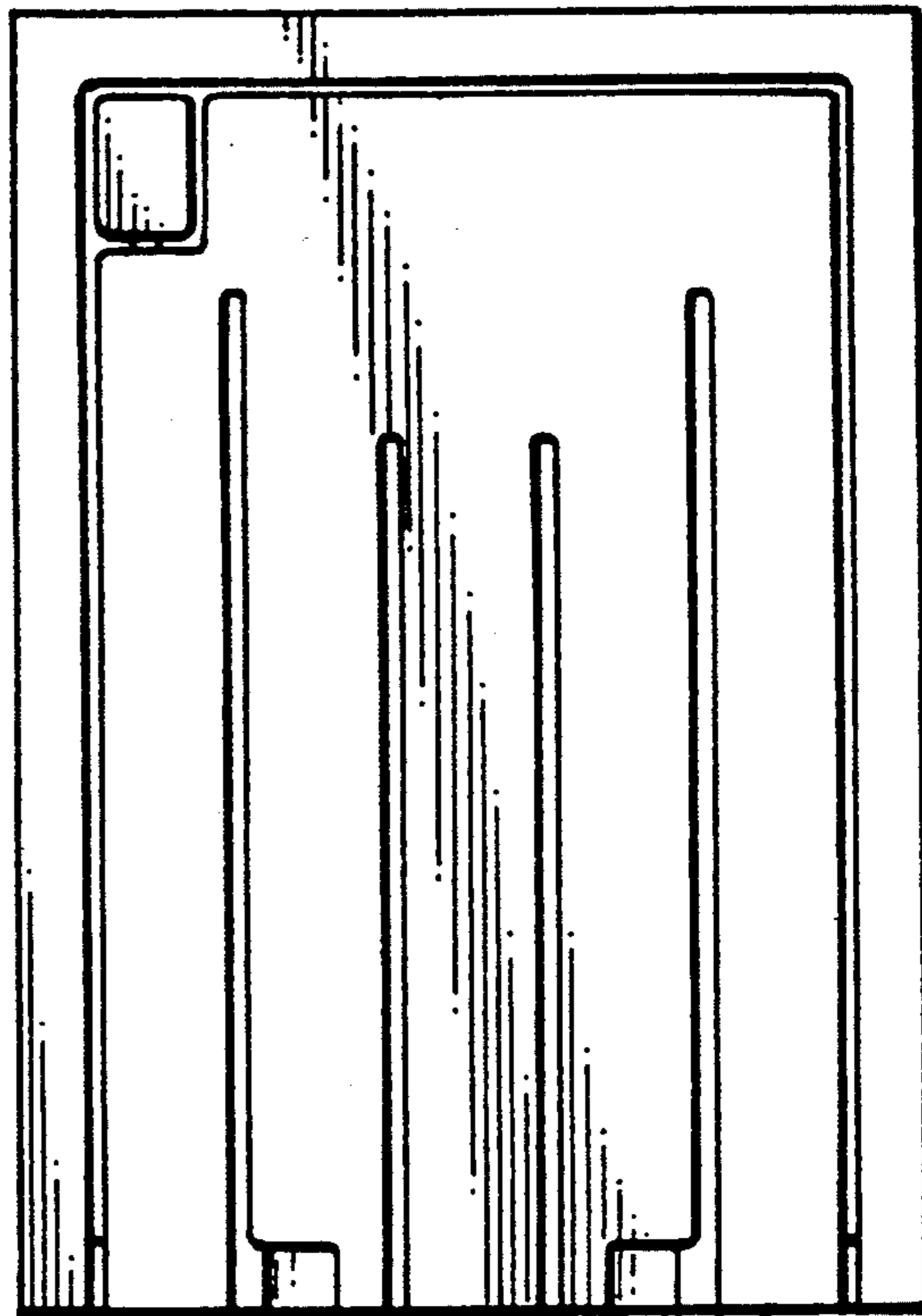


FIG. 4

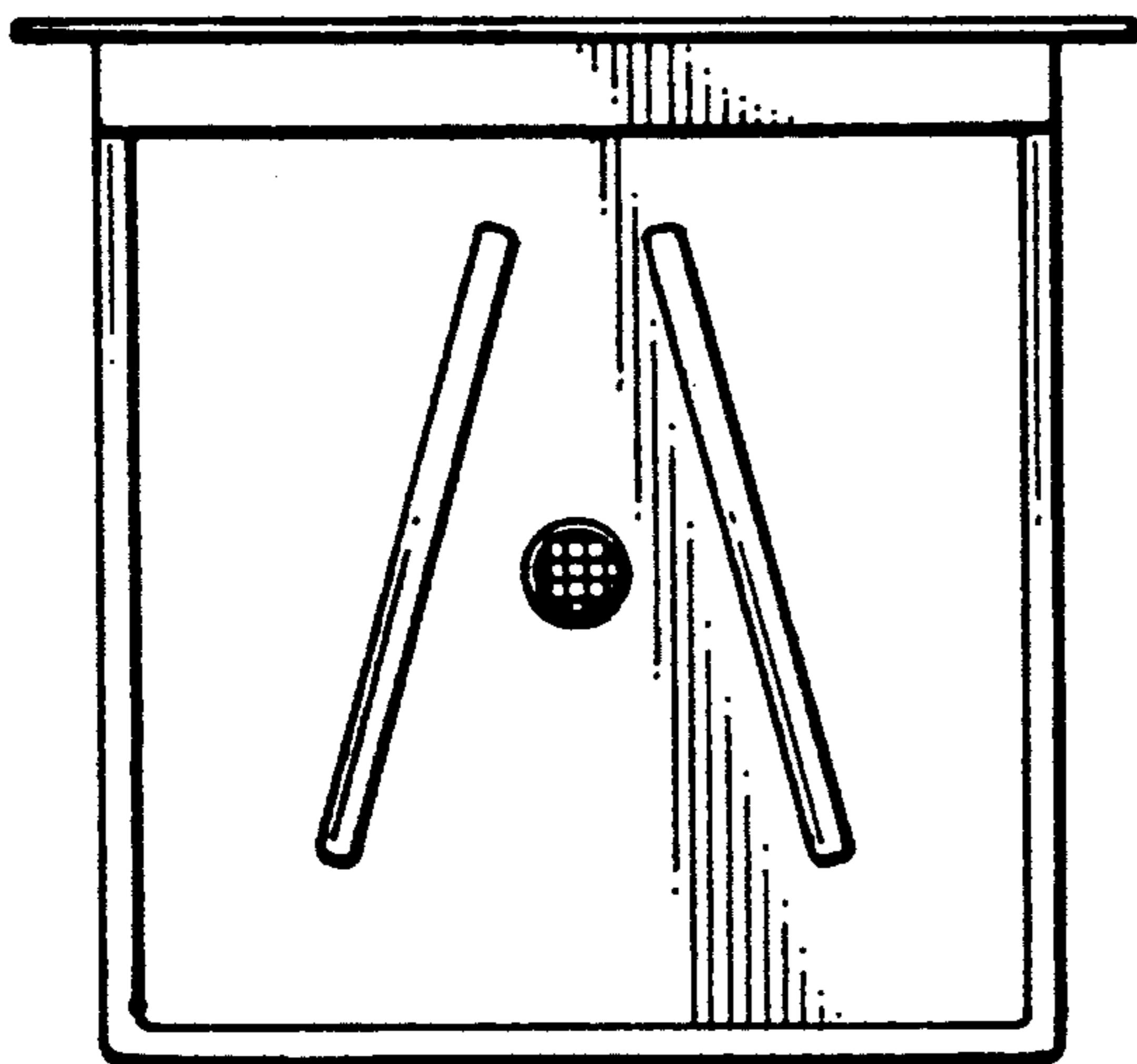


FIG. 6

