



US00D347463S

United States Patent [19]

Kingston et al.

[11] Patent Number: **Des. 347,463**

[45] Date of Patent: **** May 31, 1994**

[54] **SPRAY GUN**

[75] Inventors: **Jonathan F. M. Kingston**, Monks Risborough; **Robert D. Boughton**, Buckingham, both of England

[73] Assignee: **Hozelock Limited**, Buckinghamshire, England

[**] Term: **14 Years**

[21] Appl. No.: **936,906**

[22] Filed: **Aug. 27, 1992**

[30] **Foreign Application Priority Data**

Aug. 29, 1991 [GB] United Kingdom 9118510
[52] U.S. Cl. **D23/223**
[58] Field of Search 239/301, 332, 373, 394,
239/414, 415, 525-528, 532, 554, 556, DIG. 14;
D23/213, 223-227

[56] **References Cited**

U.S. PATENT DOCUMENTS

D. 170,447 9/1953 Caird D23/226
D. 270,657 9/1983 Clivio et al. D23/226
D. 315,014 2/1991 Clivio D23/226

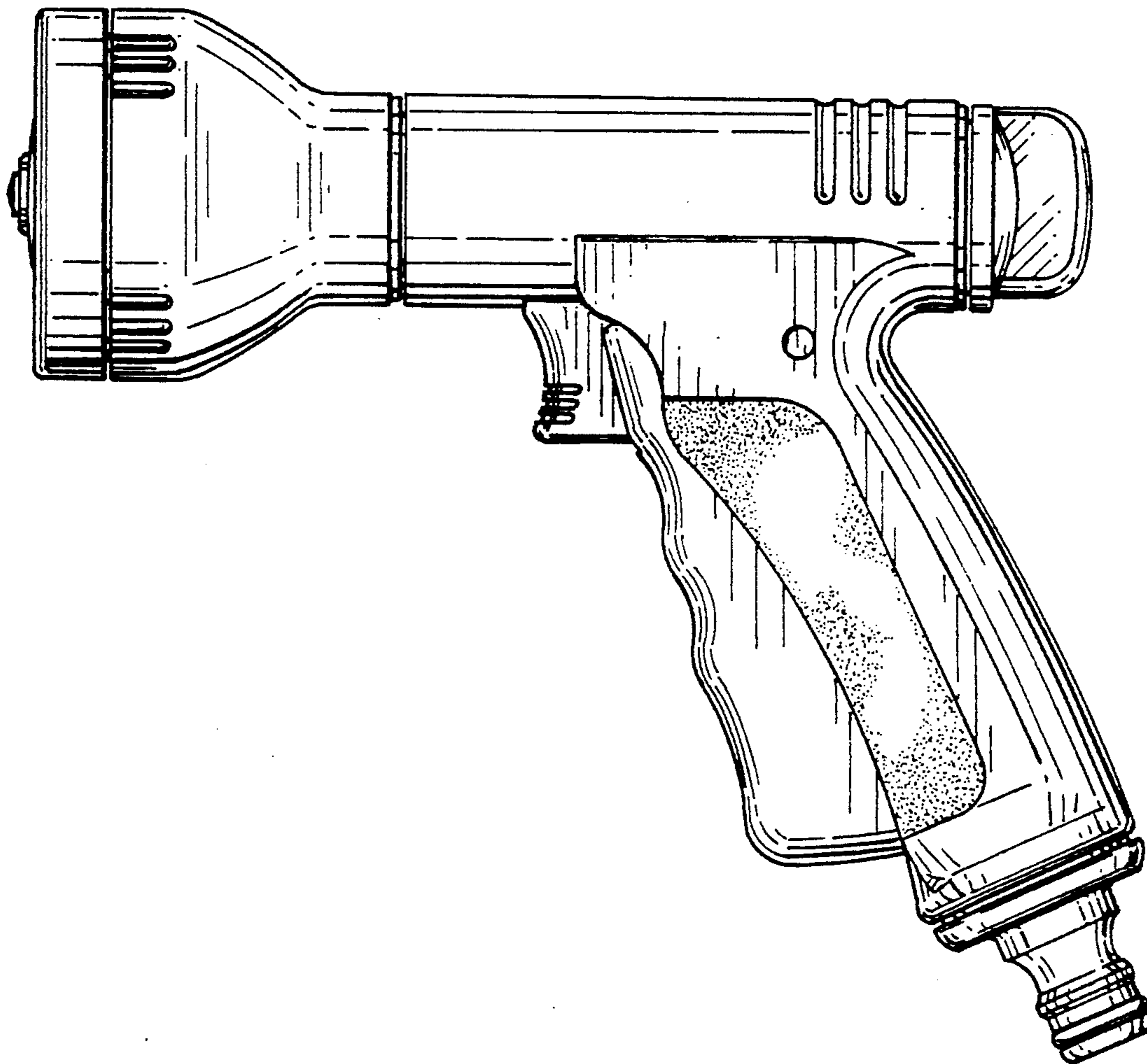
Primary Examiner—Wallace R. Burke
Assistant Examiner—Robin Y. Taylor
Attorney, Agent, or Firm—Lee, Mann, Smith,
McWilliams, Sweeney & Ohlson

[57] **CLAIM**

The ornamental design for a spray gun, as shown and described.

DESCRIPTION

FIG. 1 is a left side elevational view of a spray gun, showing our new design, the right side elevational view being a mirror image thereof;
FIG. 2 is a top plan view thereof;
FIG. 3 is an end elevational view thereof;
FIG. 4 is an end elevational view of the end opposite to that shown in FIG. 3; and,
FIG. 5 is a bottom plan view thereof.



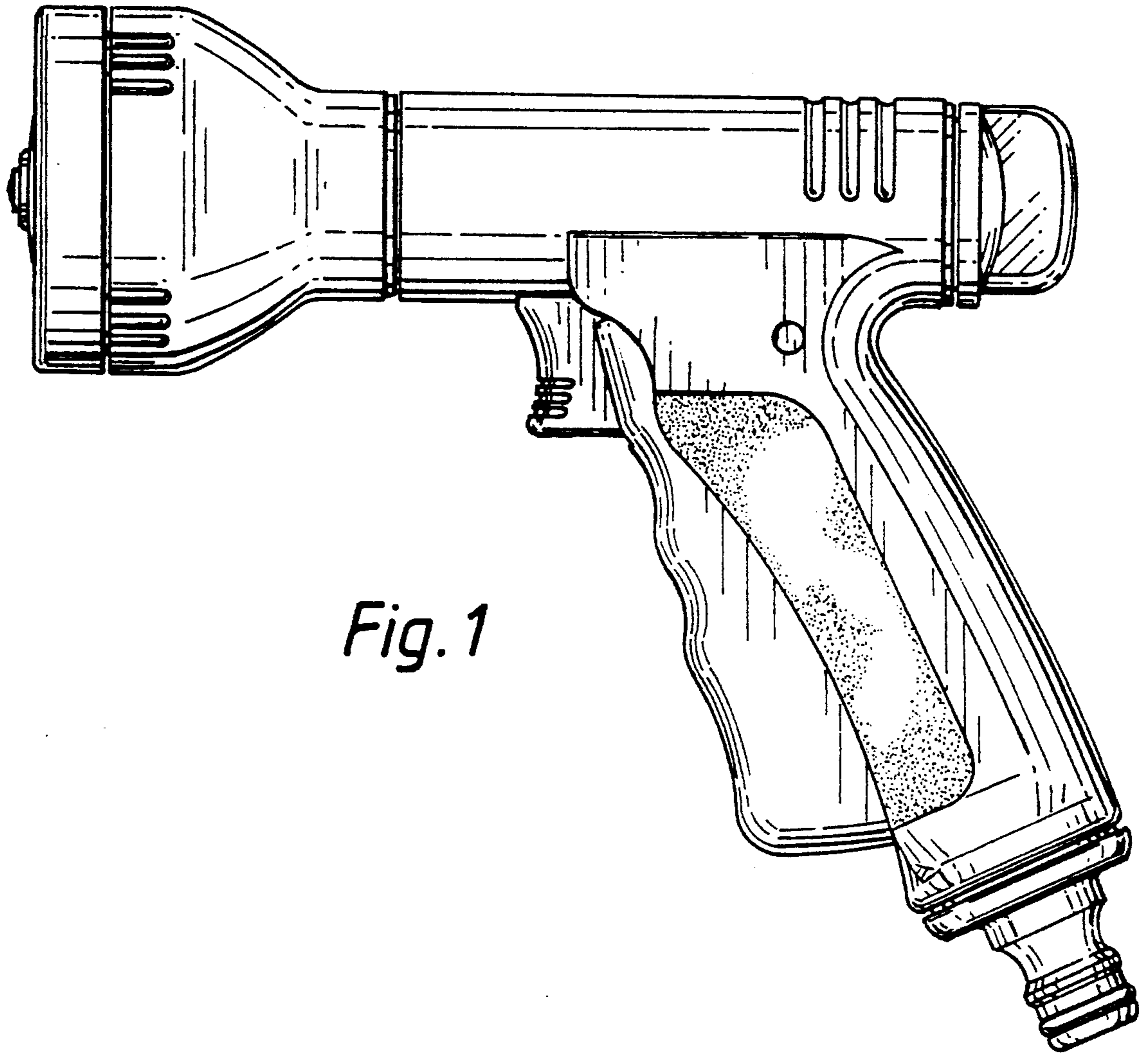


Fig. 1

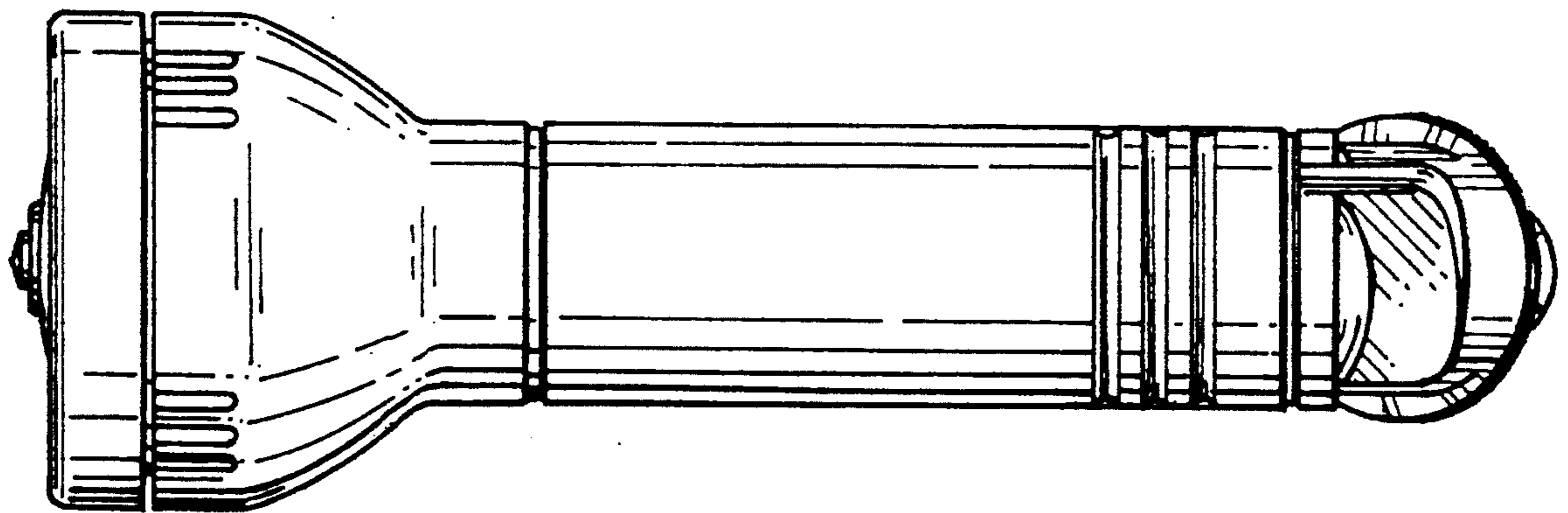


Fig. 2

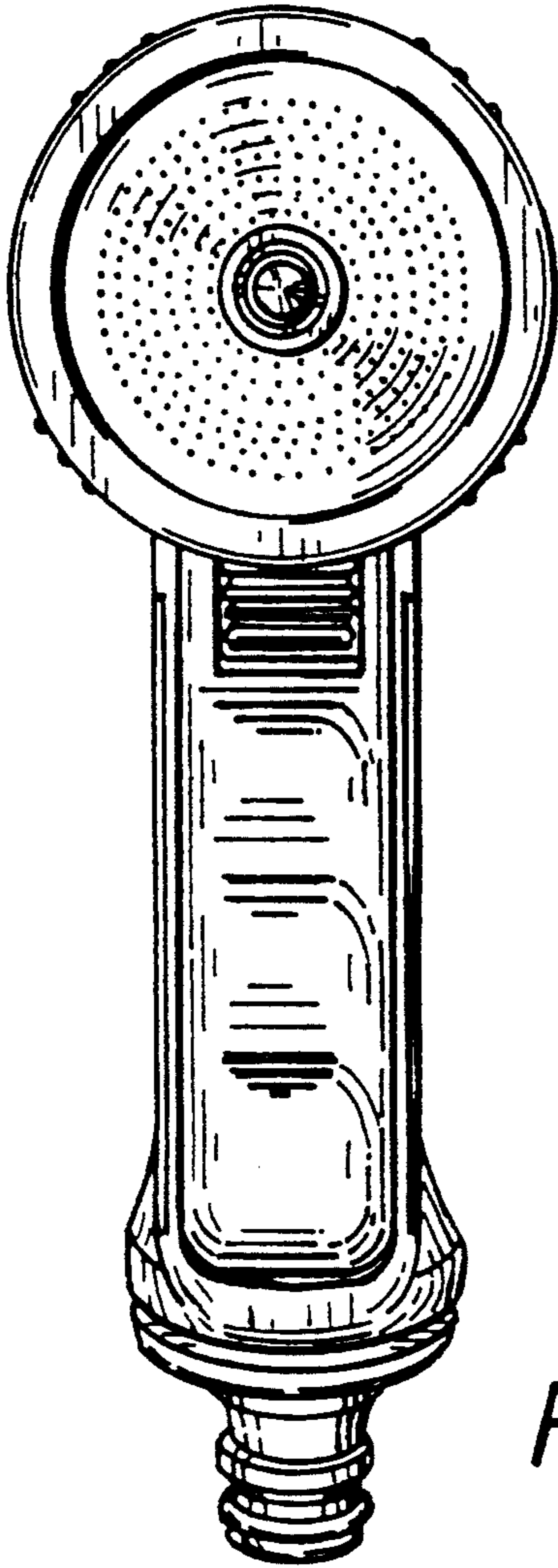


Fig. 3

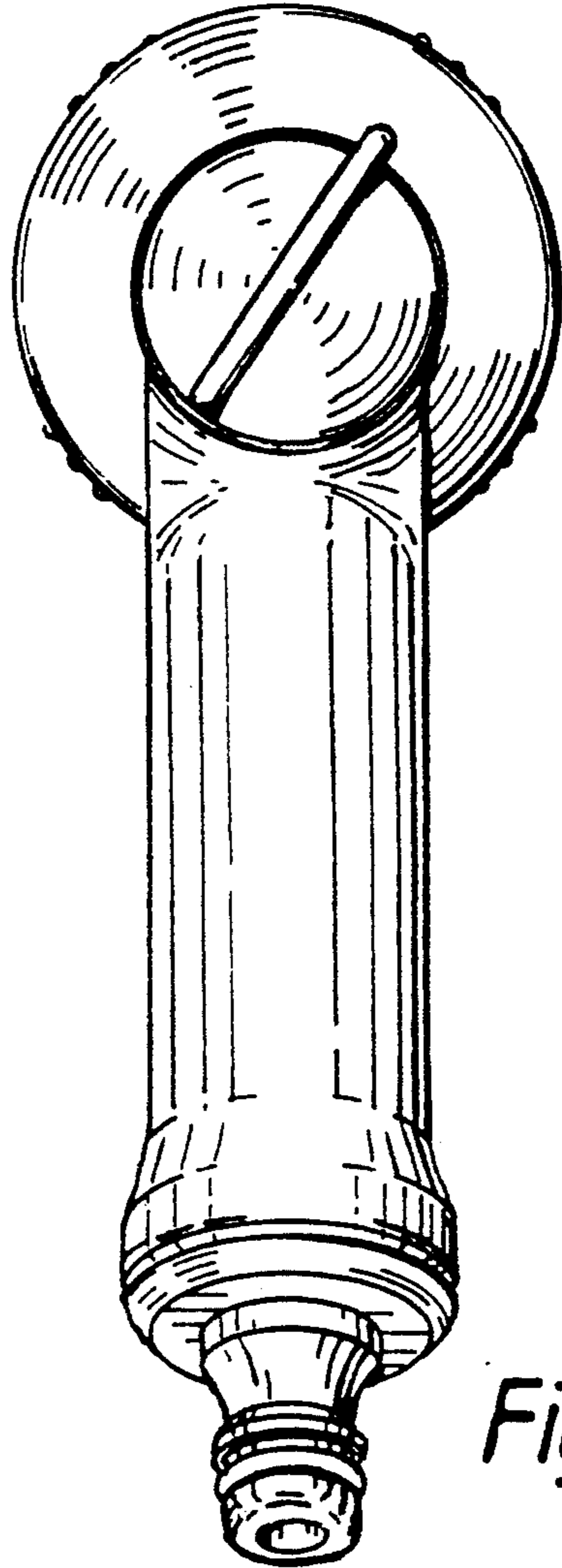


Fig. 4

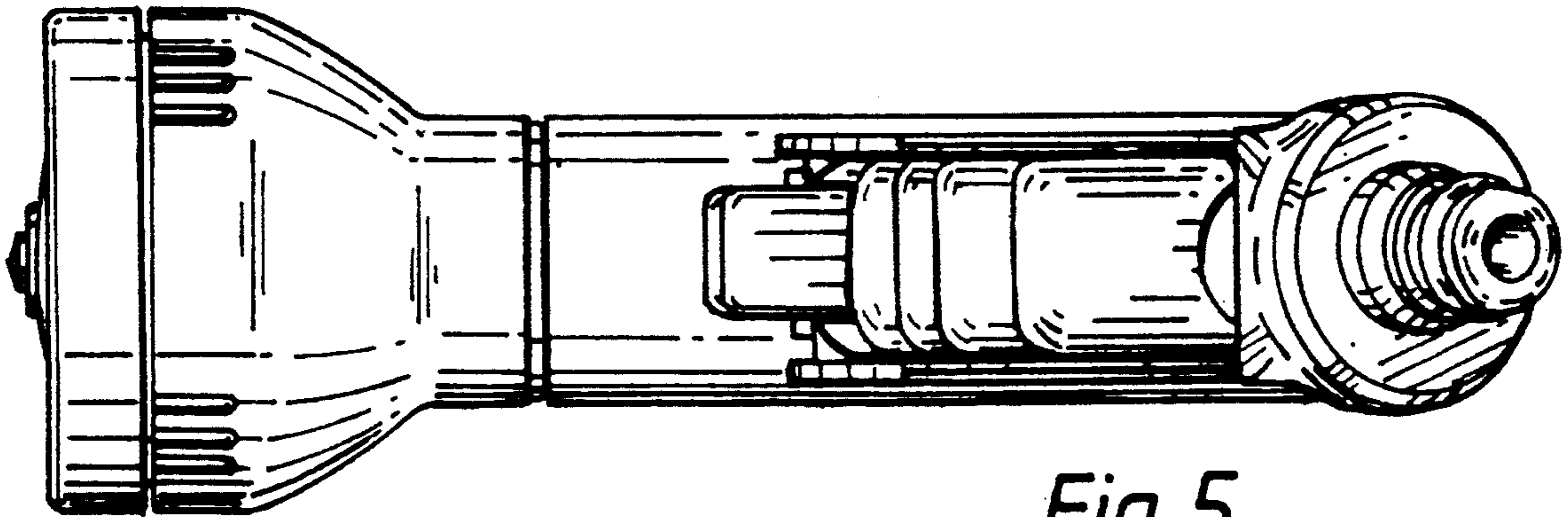


Fig. 5