



US00D347462S

United States Patent [19]

[11] Patent Number: Des. 347,462

Douglas

[45] Date of Patent: ** May 31, 1994

[54] WATER PURIFICATION UNIT

[75] Inventor: John H. Douglas, Boca Raton, Fla.

[73] Assignee: H. T. Manufacturing, Inc.,
Clearwater, Fla.

[**] Term: 14 Years

[21] Appl. No.: 837,987

[22] Filed: Feb. 21, 1992

[52] U.S. Cl. D23/209

[58] Field of Search 210/97, 198.1, 205-206,
210/231, 244-246, 257.1-257.2, 258, 260-261,
275, 282, 287-290, 295, 321.6, 321.78, 416.3,
443-449; D23/207-210

2,987,187 6/1961 Comroe 210/244
3,802,563 4/1974 Sasaki et al. 210/288 X
4,231,872 11/1980 Keil 210/282 X
5,108,618 4/1992 Hirasawa 210/287 X

Primary Examiner—Wallace R. Burke
Assistant Examiner—M. H. Tung
Attorney, Agent, or Firm—M. K. Silverman

[57] CLAIM

The ornamental design for a water purification unit, as shown and described.

DESCRIPTION

FIG. 1 is a perspective view of my design for a water purification unit;
FIG. 2 is a front view thereof;
FIG. 3 is a back view of the system;
FIG. 4 is a side view, the opposite side being a mirror image thereof;
FIG. 5 is a bottom view thereof; and,
FIG. 6 is a top view of the inventive design.

[56] References Cited

U.S. PATENT DOCUMENTS

D. 304,363 10/1989 Ruesch D23/209
D. 307,933 5/1990 Baer D23/209

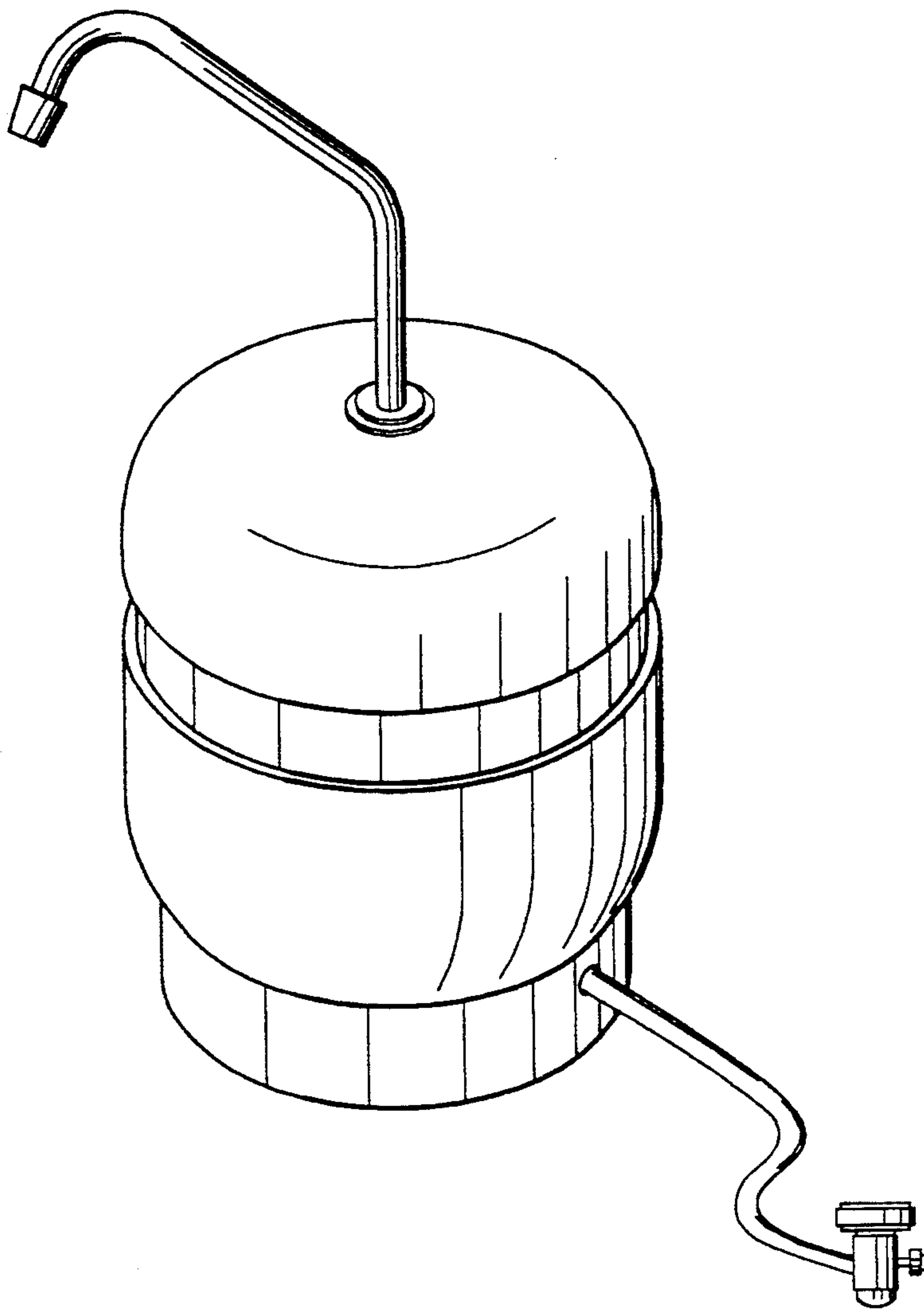


FIG. 1.

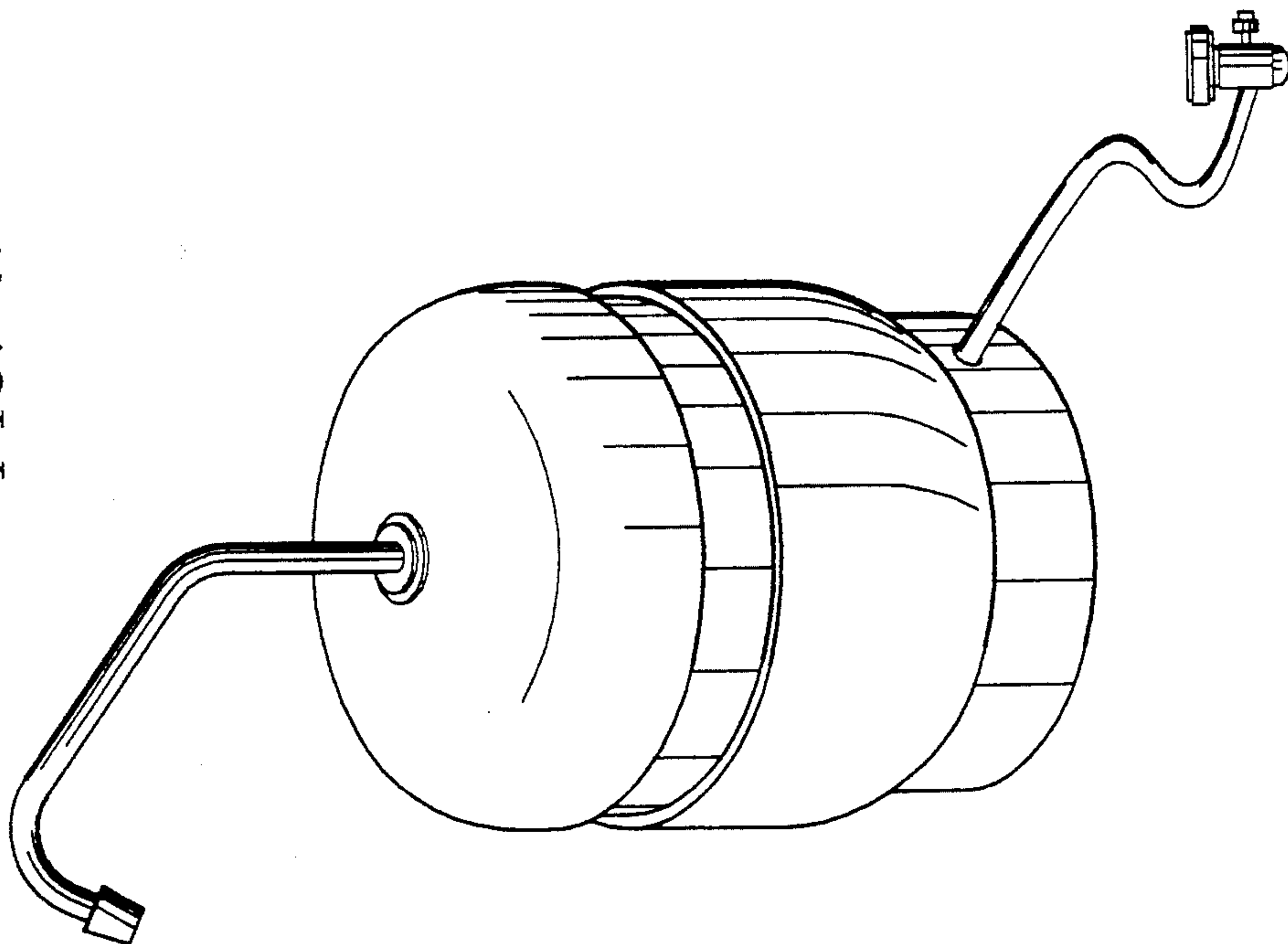


FIG. 2.

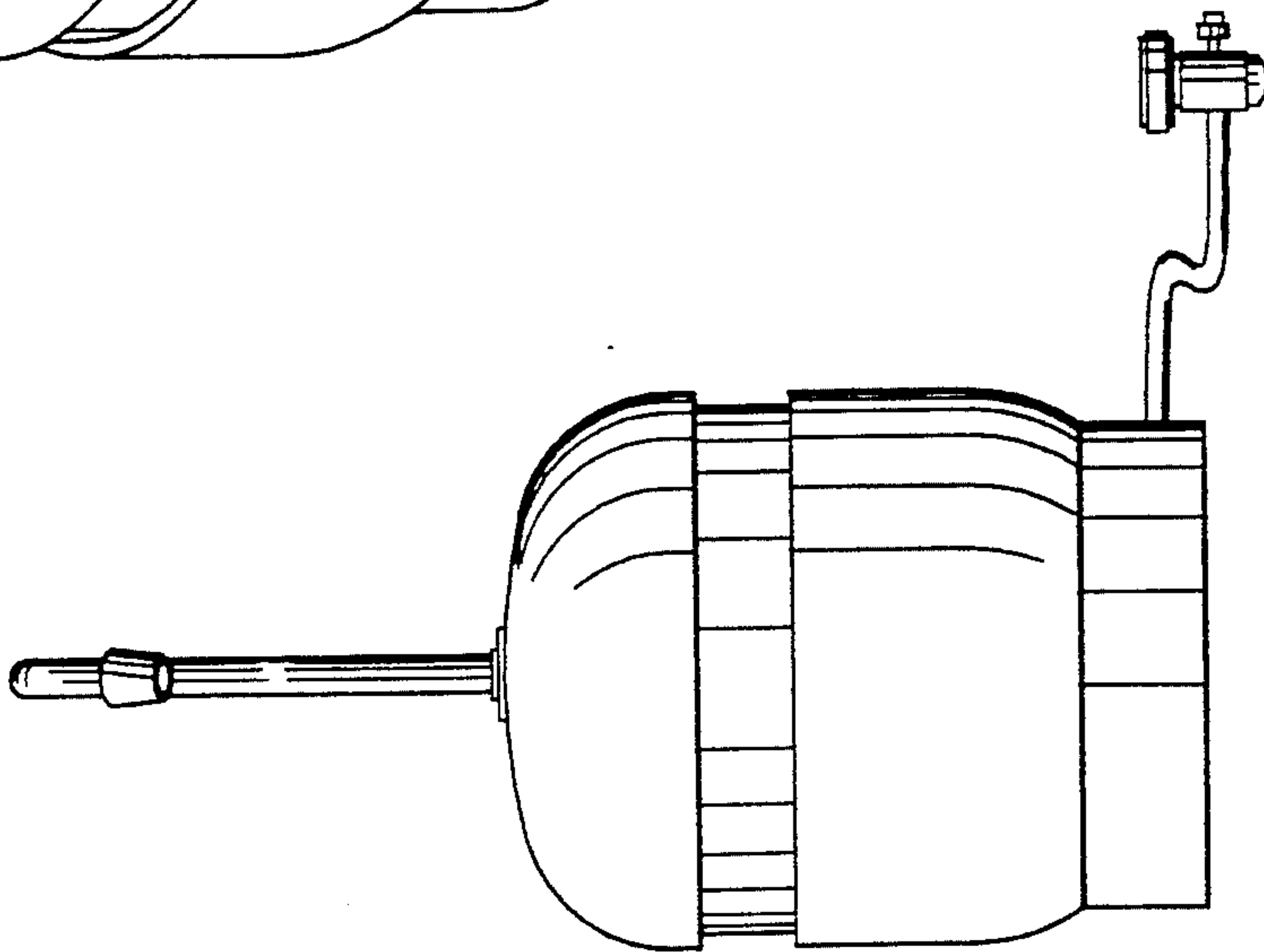


FIG. 3.

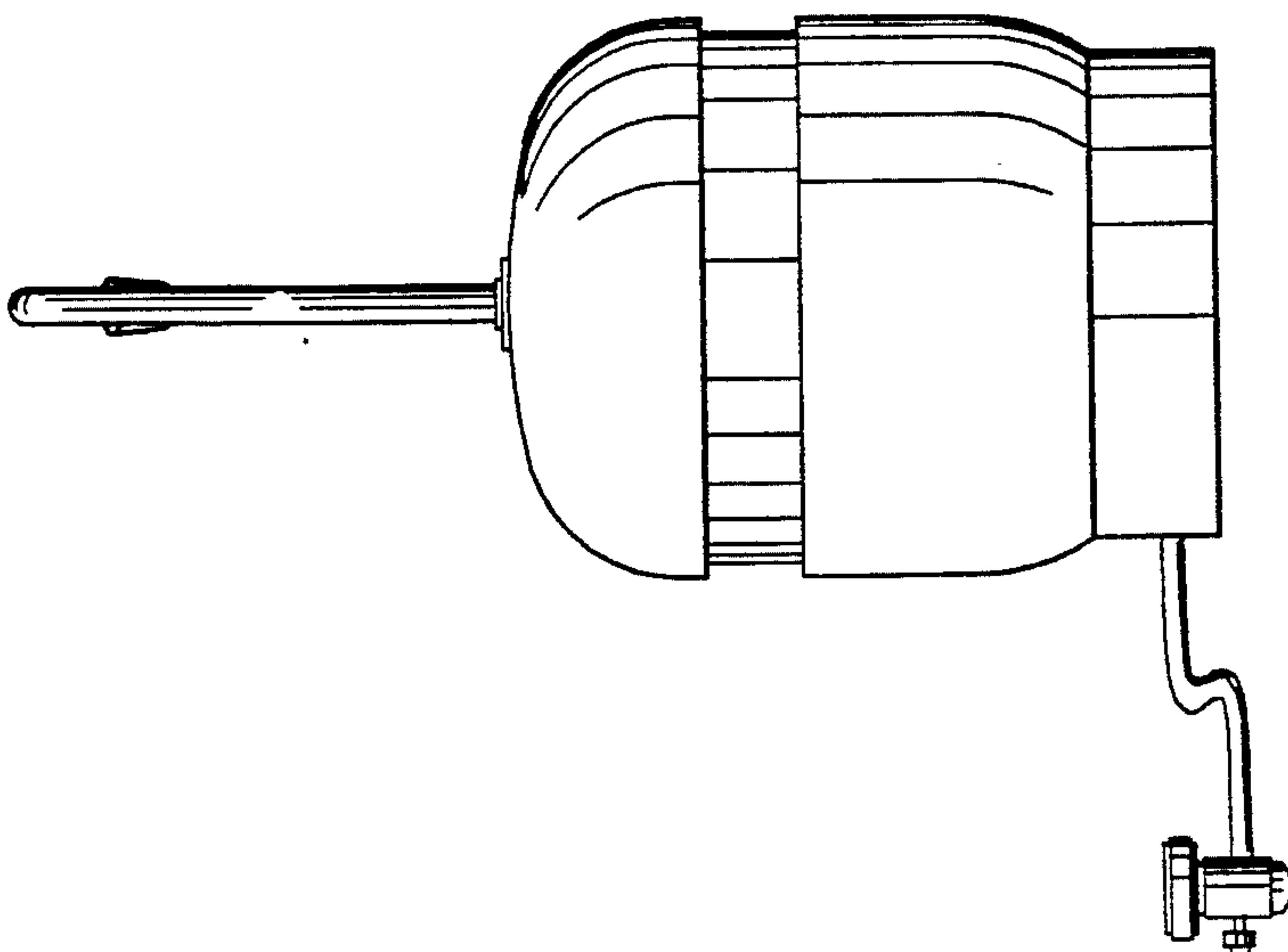


FIG. 5.

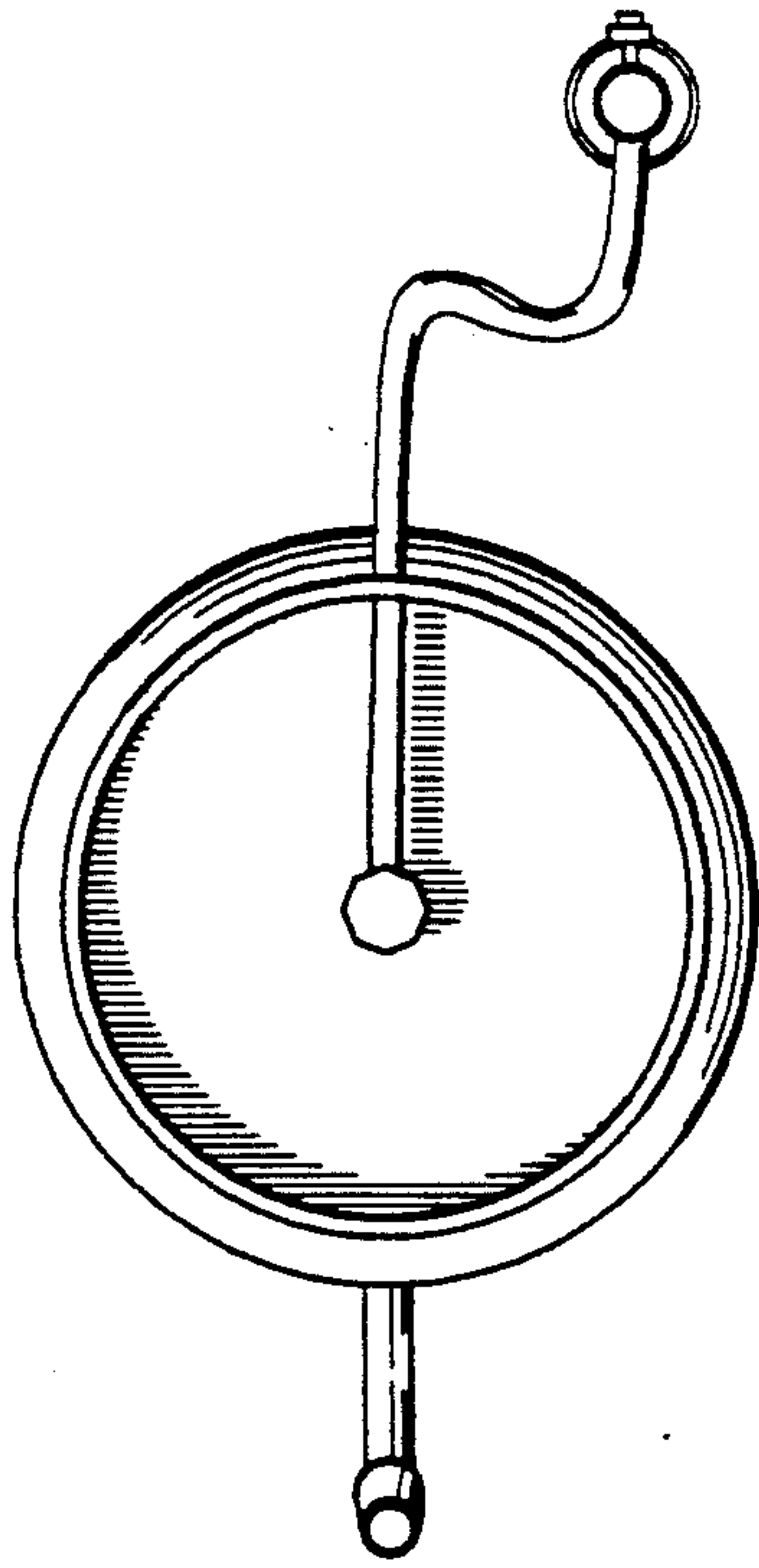


FIG. 6.

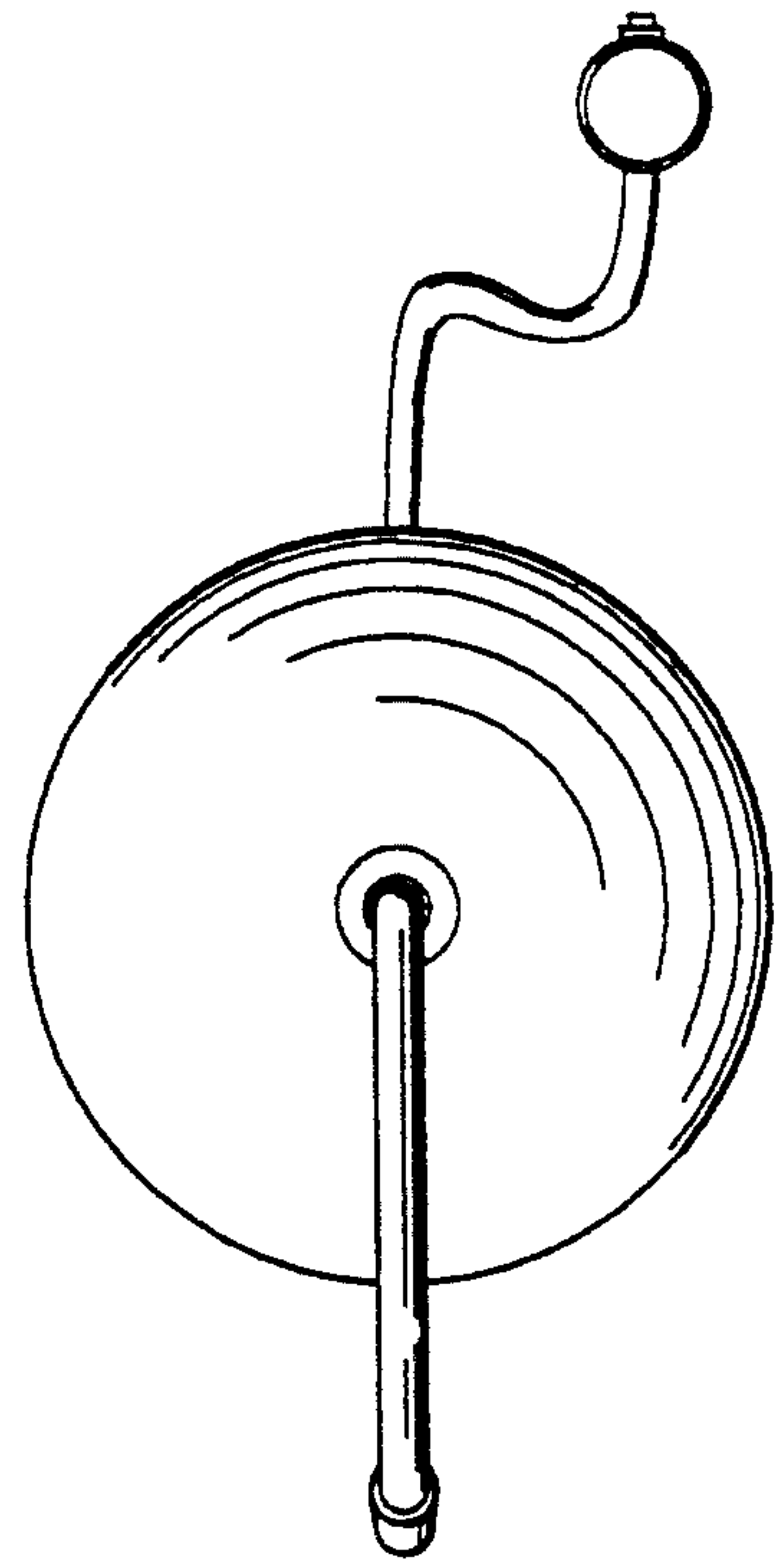


FIG. 4.

