



US00D347460S

# United States Patent [19] Ohi

[11] Patent Number: **Des. 347,460**

[45] Date of Patent: **\*\* May 31, 1994**

[54] **FISHING REEL**

[75] Inventor: **Taku Ohi**, Tokyo, Japan  
[73] Assignee: **Ryobi Ltd.**, Hiroshima, Japan  
[\*\*] Term: **14 Years**

[21] Appl. No.: **902,284**

[22] Filed: **Jun. 19, 1992**

[30] **Foreign Application Priority Data**

Dec. 24, 1991 [JP] Japan ..... 3-39120

[52] U.S. Cl. .... **D22/140**

[58] Field of Search ..... 242/257-262,  
242/279; D22/140, 141

[56] **References Cited**

**U.S. PATENT DOCUMENTS**

D. 299,848 2/1989 Hiraishi et al. .... D22/140  
D. 308,406 6/1990 Robbins ..... D22/140  
D. 319,282 8/1991 Robbins ..... D22/140

**FOREIGN PATENT DOCUMENTS**

807629 2/1991 Japan .

**OTHER PUBLICATIONS**

Copy of catalog of Bantam's "Scorpion" reel, published Feb. of 1992, pp. 25, 3 & 4.  
Cabela's Spring 1991, p. 25, Shimano Chronarch, Copy Examiner D. Coles.

*Primary Examiner*—A. Hugo Word  
*Assistant Examiner*—Doris V. Coles  
*Attorney, Agent, or Firm*—Sughrue, Mion, Zinn, Macpeak & Seas

[57] **CLAIM**

The ornamental design for a fishing reel, as shown and described.

**DESCRIPTION**

FIG. 1 is a rear, top and left side perspective view of a fishing reel showing my new design;  
FIG. 2 is a right side elevational view thereof;  
FIG. 3 is a left side elevational view thereof;  
FIG. 4 is a top plan view thereof;  
FIG. 5 is a bottom plan view thereof;  
FIG. 6 is a rear elevational view thereof; and,  
FIG. 7 is a front elevational view thereof.

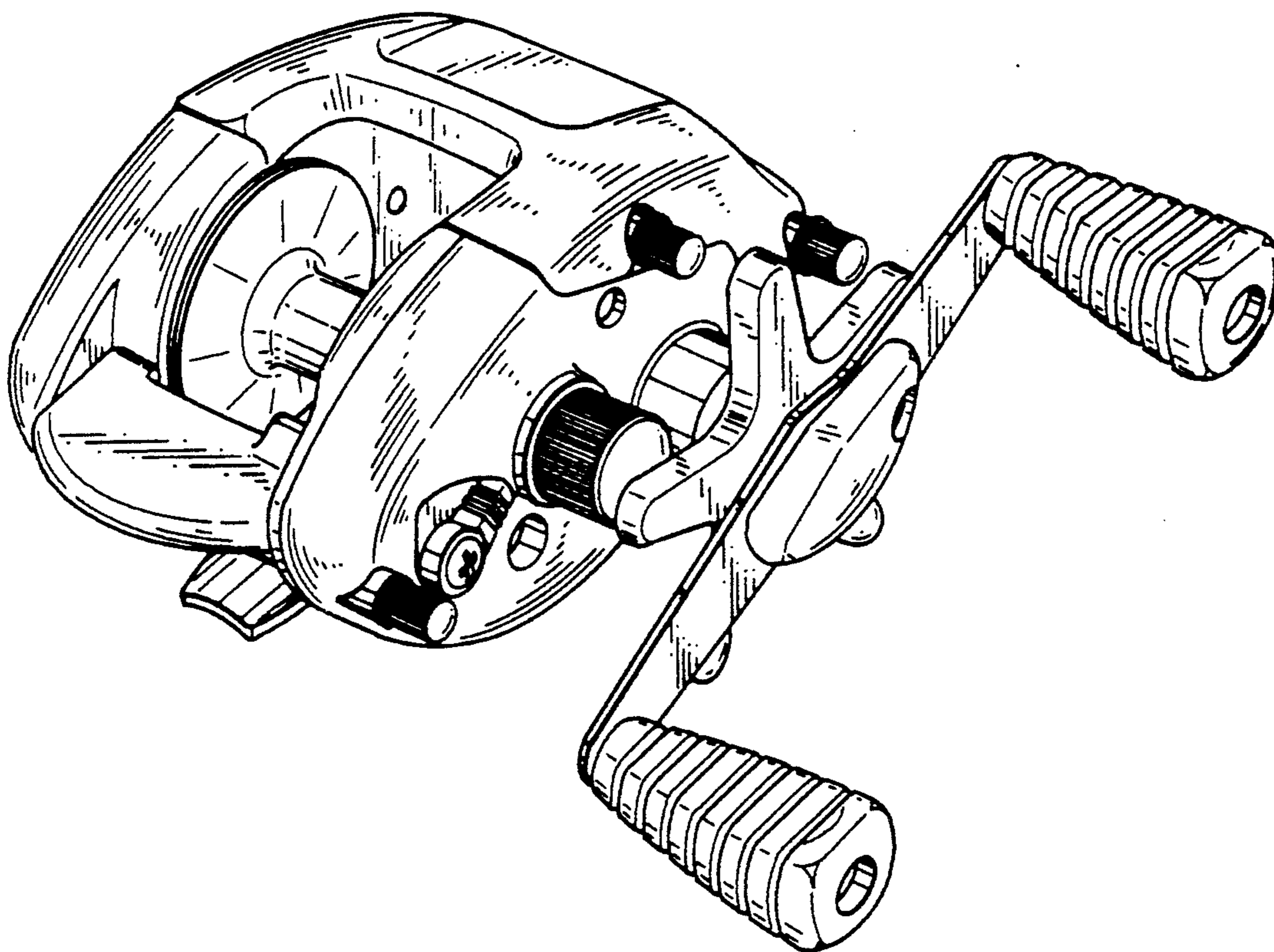
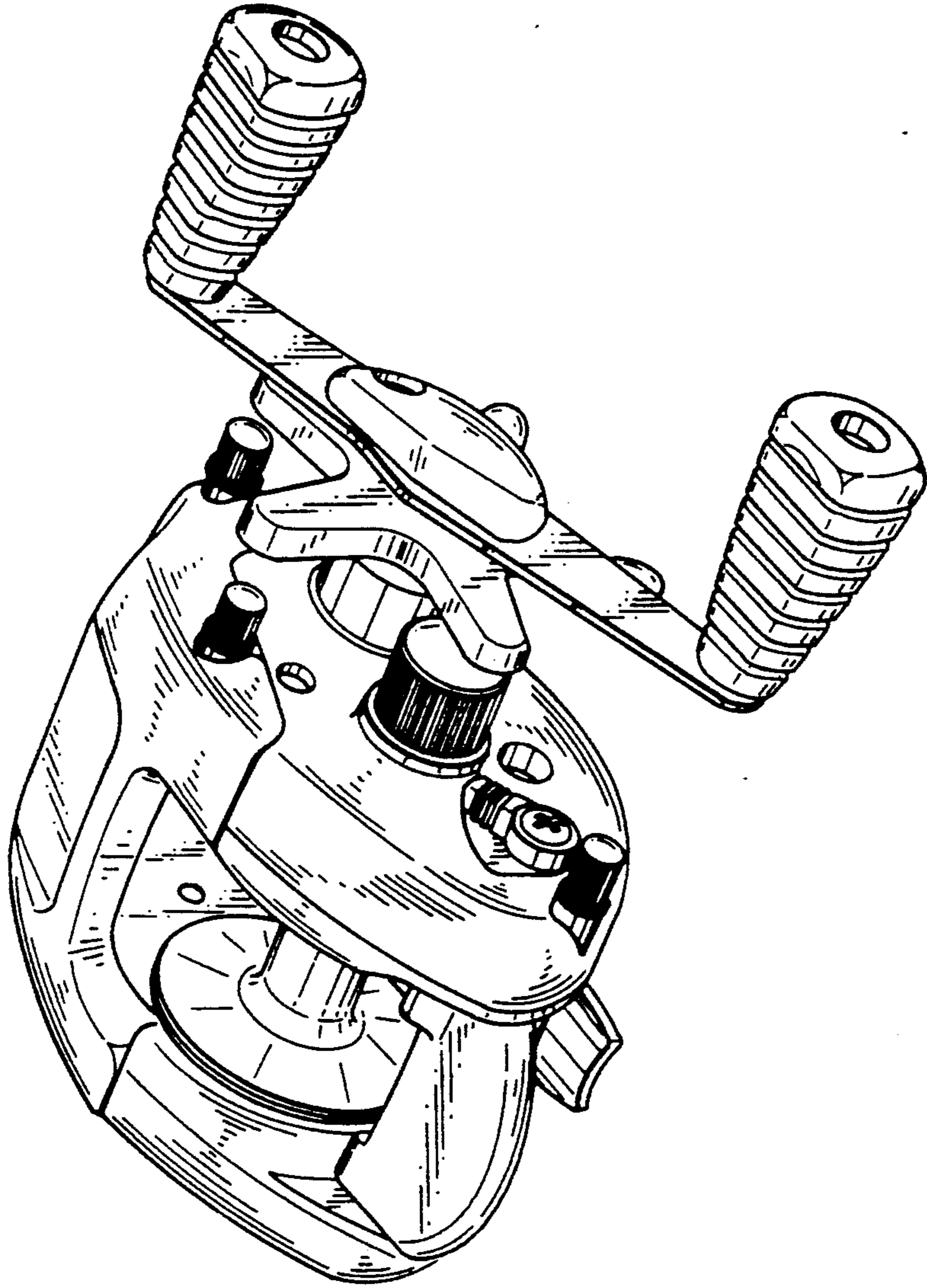
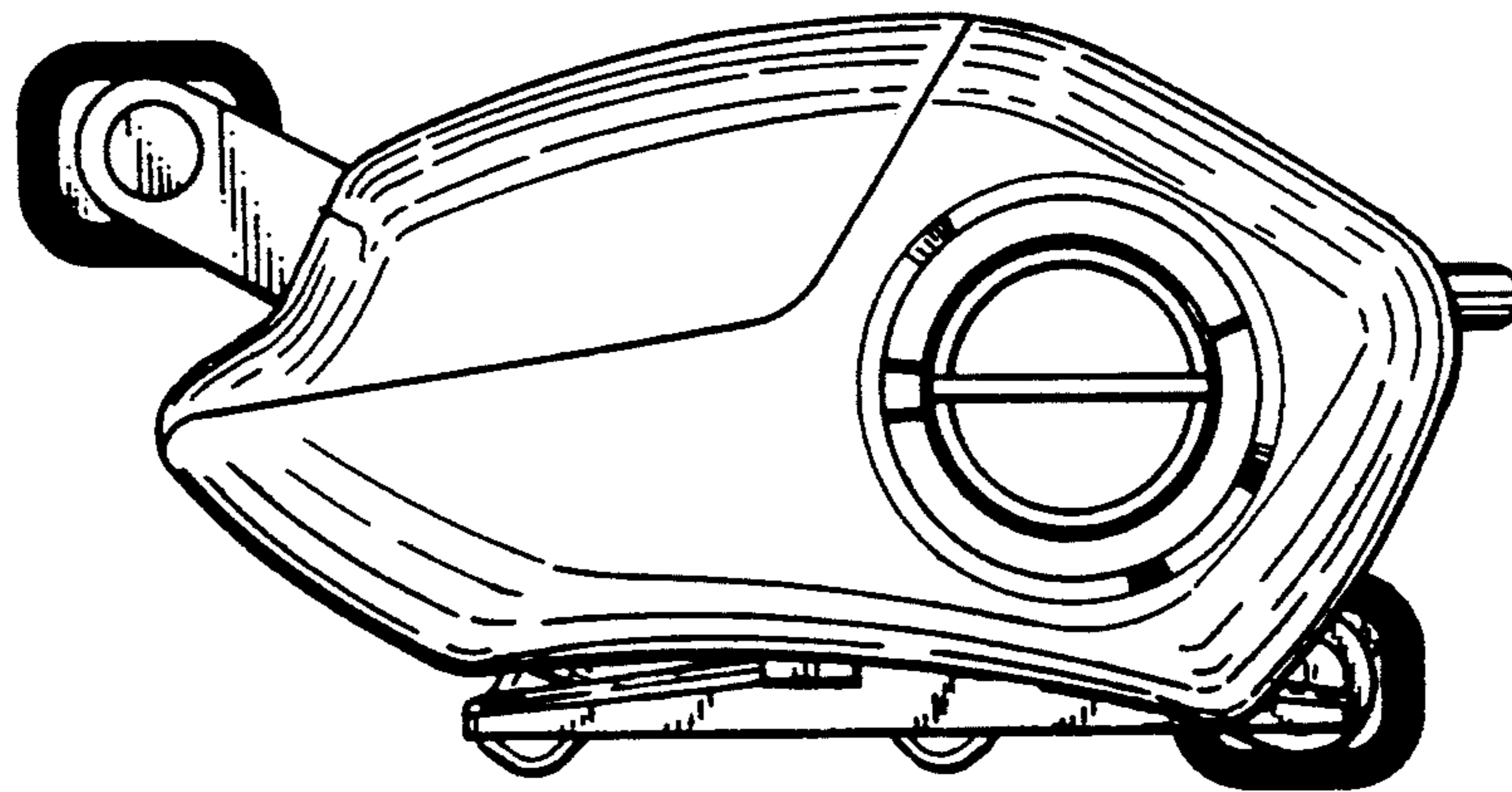


Fig. 1



*Fig. 2*



*Fig. 3*

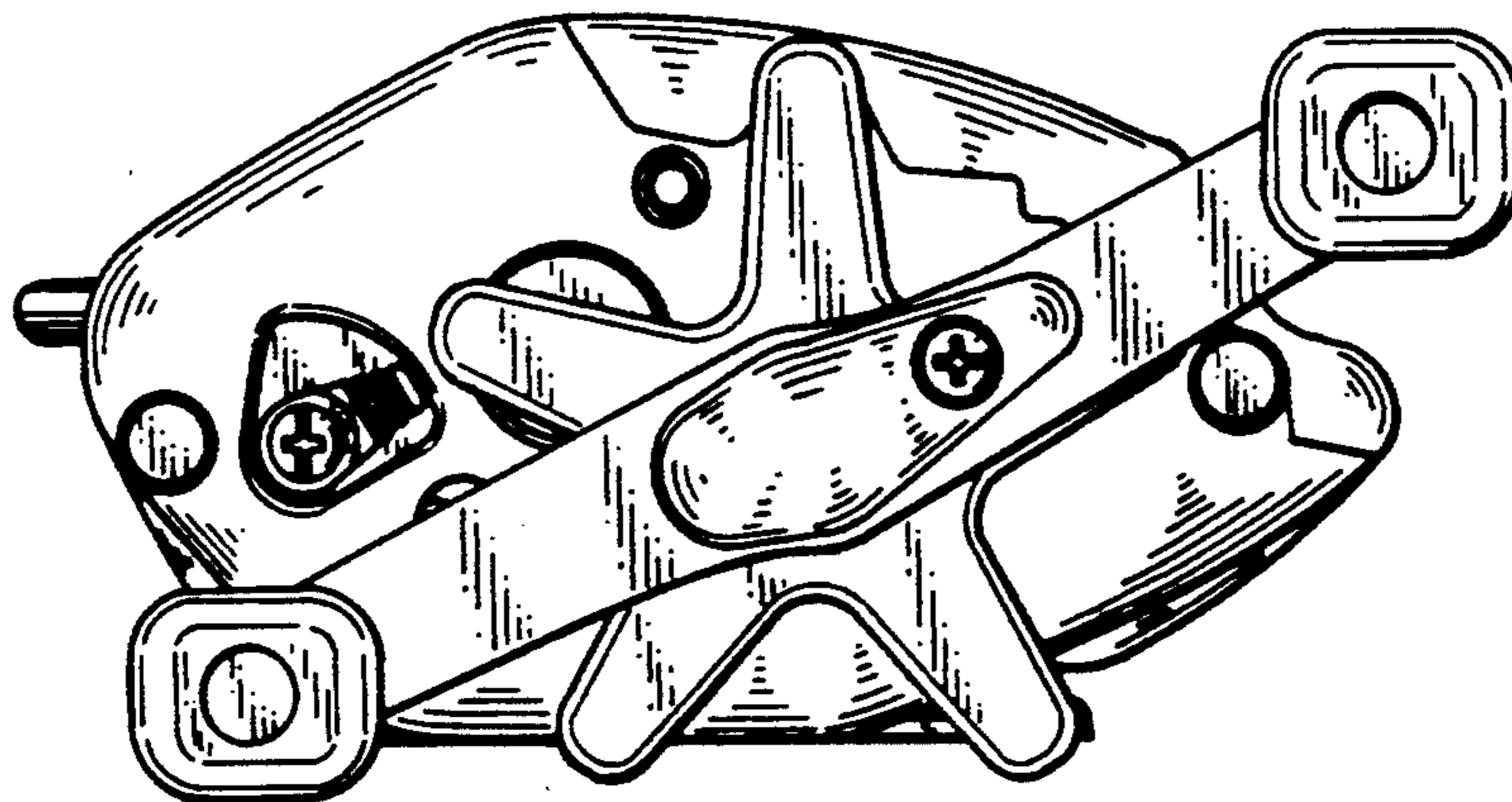


Fig. 5

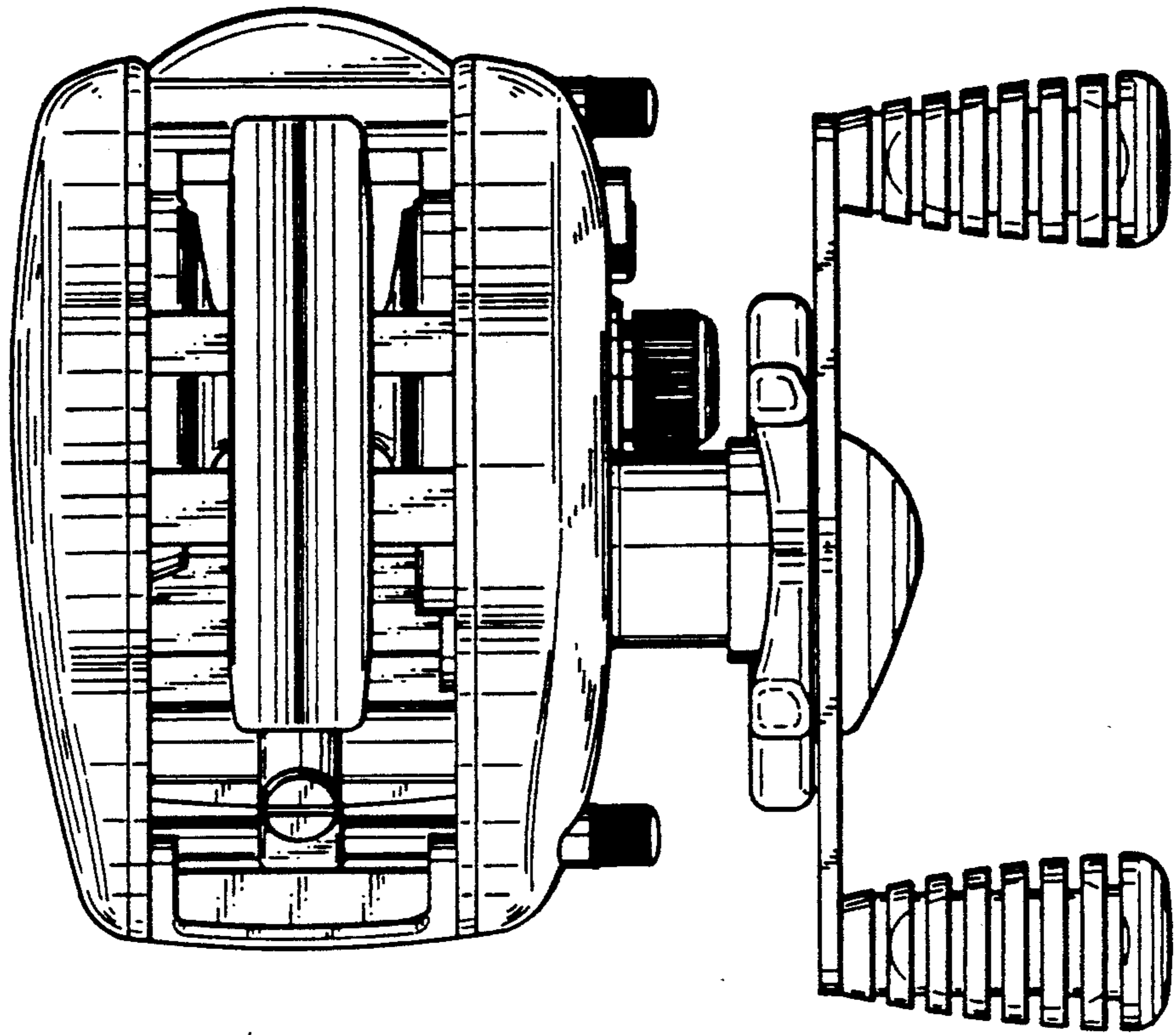
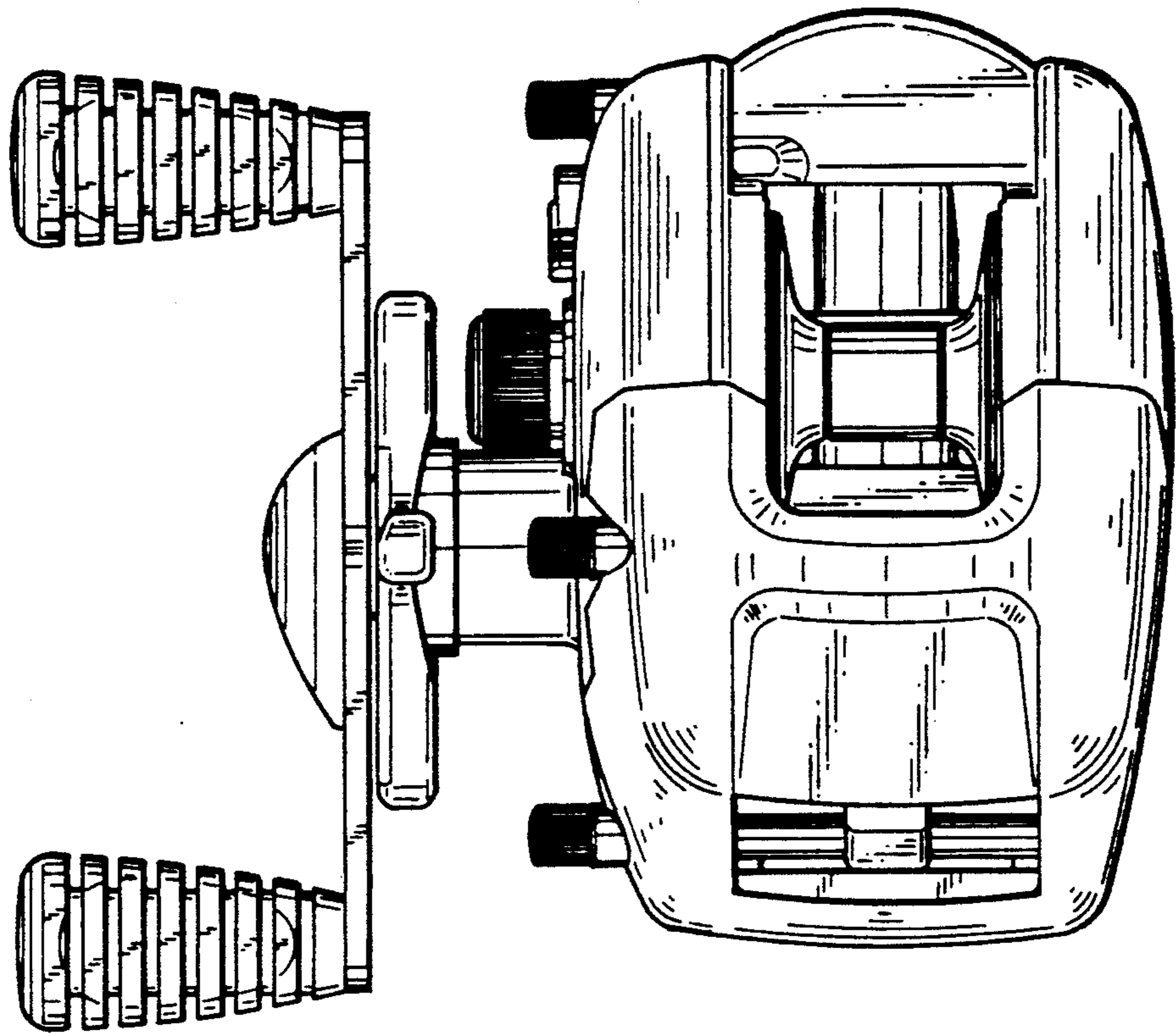
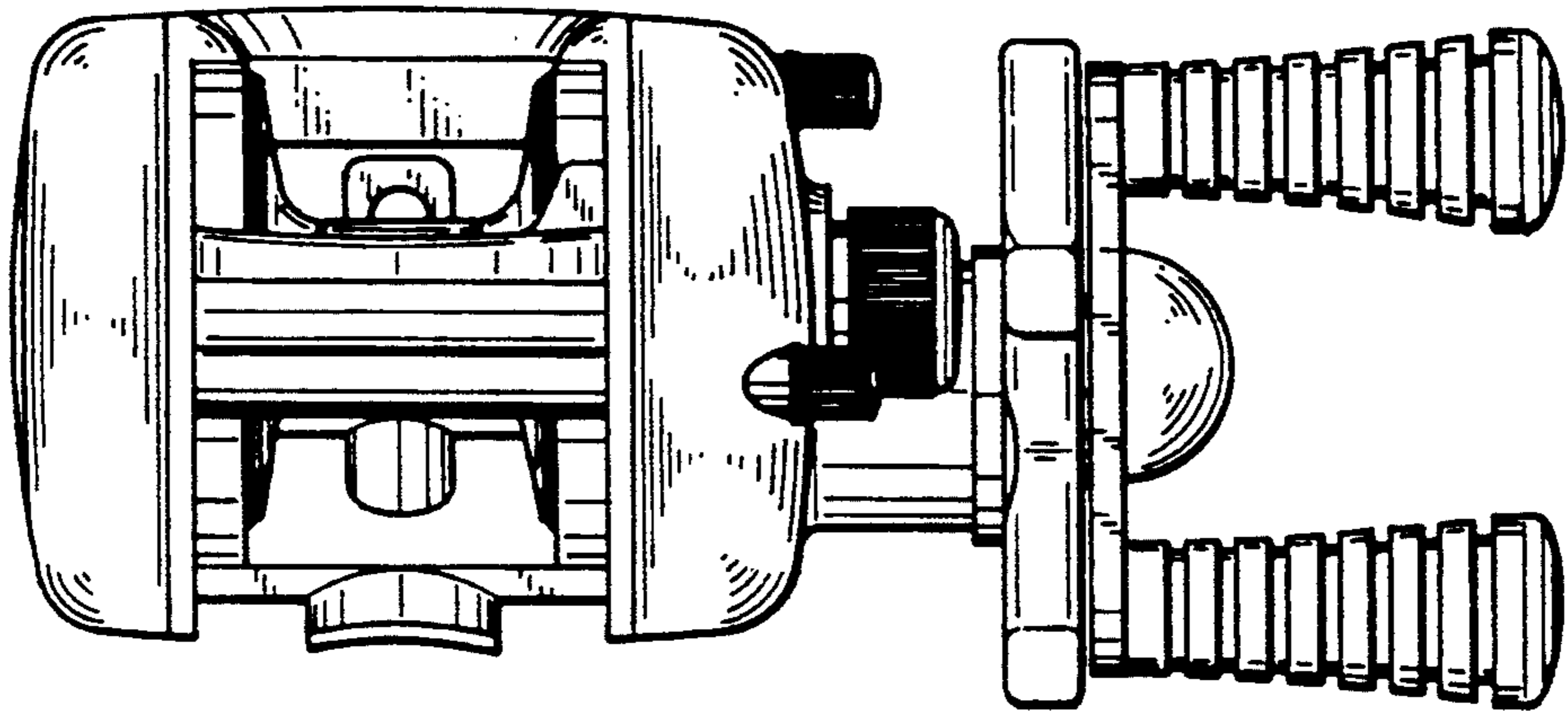


Fig. 4



*Fig. 6*



*Fig. 7*

