



US00D347459S

United States Patent [19]

[11] Patent Number: **Des. 347,459**

Gowing et al.

[45] Date of Patent: **** May 31, 1994**

- [54] FISHING LURE
- [75] Inventors: **Jim Gowing, Altus, Ark.; Timothy W. Bullard, Gainesville, Tex.**
- [73] Assignee: **EBSCO Industries, Inc., Leeds, Ala.**
- [**] Term: **14 Years**
- [21] Appl. No.: **890,129**
- [22] Filed: **May 29, 1992**
- [52] U.S. Cl. **D22/126; D22/127; D22/132**
- [58] Field of Search **43/42.15, 42.06, 42.11, 43/42.48, 42.35, 42.45; D22/126, 133, 132, 127**

2,851,814	9/1958	Lutz	43/42.15
3,165,857	1/1965	Koziba	43/42.15
4,176,490	12/1979	Philips	43/42.15
4,573,282	3/1986	Rowe	43/42.15

Primary Examiner—A. Hugo Word
Assistant Examiner—Doris V. Coles
Attorney, Agent, or Firm—Veal & Associates

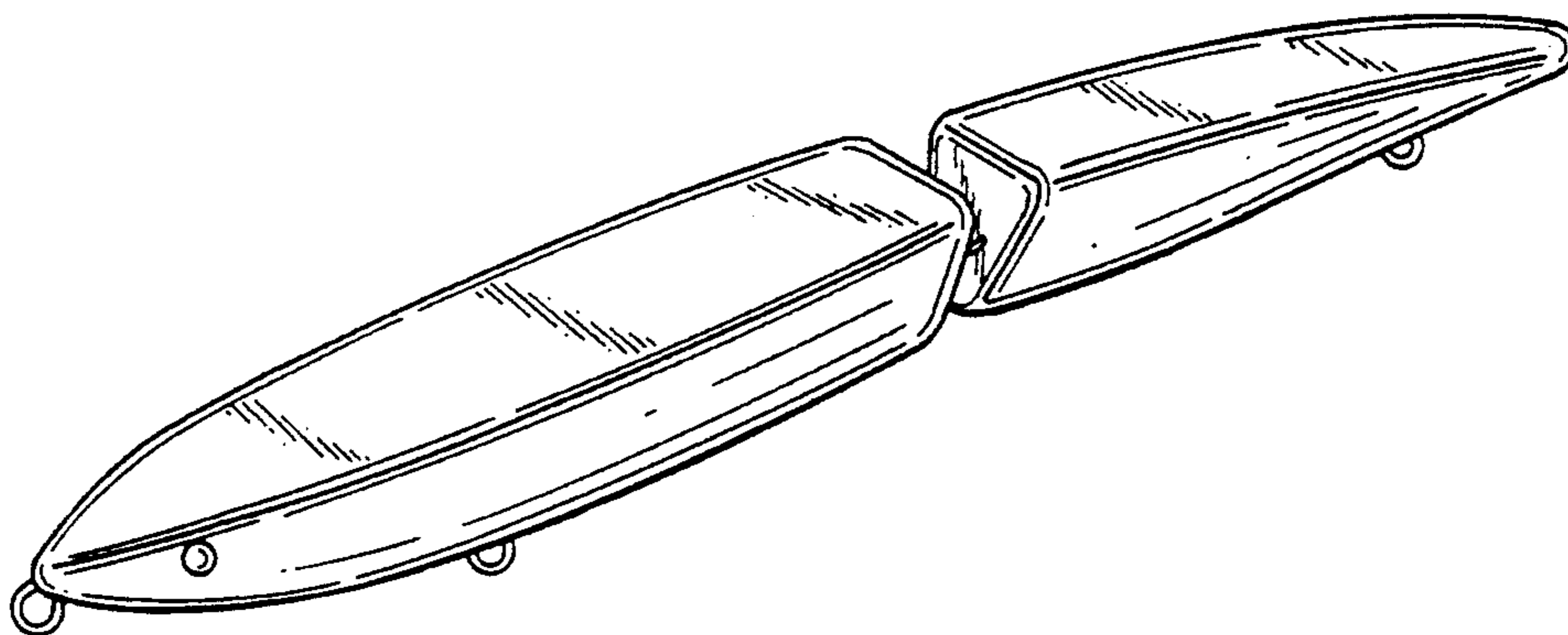
[57] CLAIM

The ornamental design for a fishing lure, as shown and described.

DESCRIPTION

FIG. 1 is a perspective view of a fishing lure incorporating our new and ornamental design;
 FIG. 2 is a side elevation view of the fishing lure shown in FIG. 1;
 FIG. 3 is a side elevation view showing the opposite side of the fishing lure from that shown in FIG. 2;
 FIG. 4 is a top plan view of the fishing lure;
 FIG. 5 is a bottom plan view of the fishing lure;
 FIG. 6 is a front elevation view of the fishing lure; and,
 FIG. 7 is a rear elevation view of the fishing lure.

- [56] **References Cited**
- U.S. PATENT DOCUMENTS**
- D. 155,481 10/1949 Clasen et al. D22/126
- D. 252,698 8/1979 Jackson
- D. 278,738 5/1985 Hargreaves
- D. 303,136 8/1989 Russell
- 2,528,861 11/1950 Clasen et al. 43/42.48
- 2,845,744 8/1958 Schnitzer



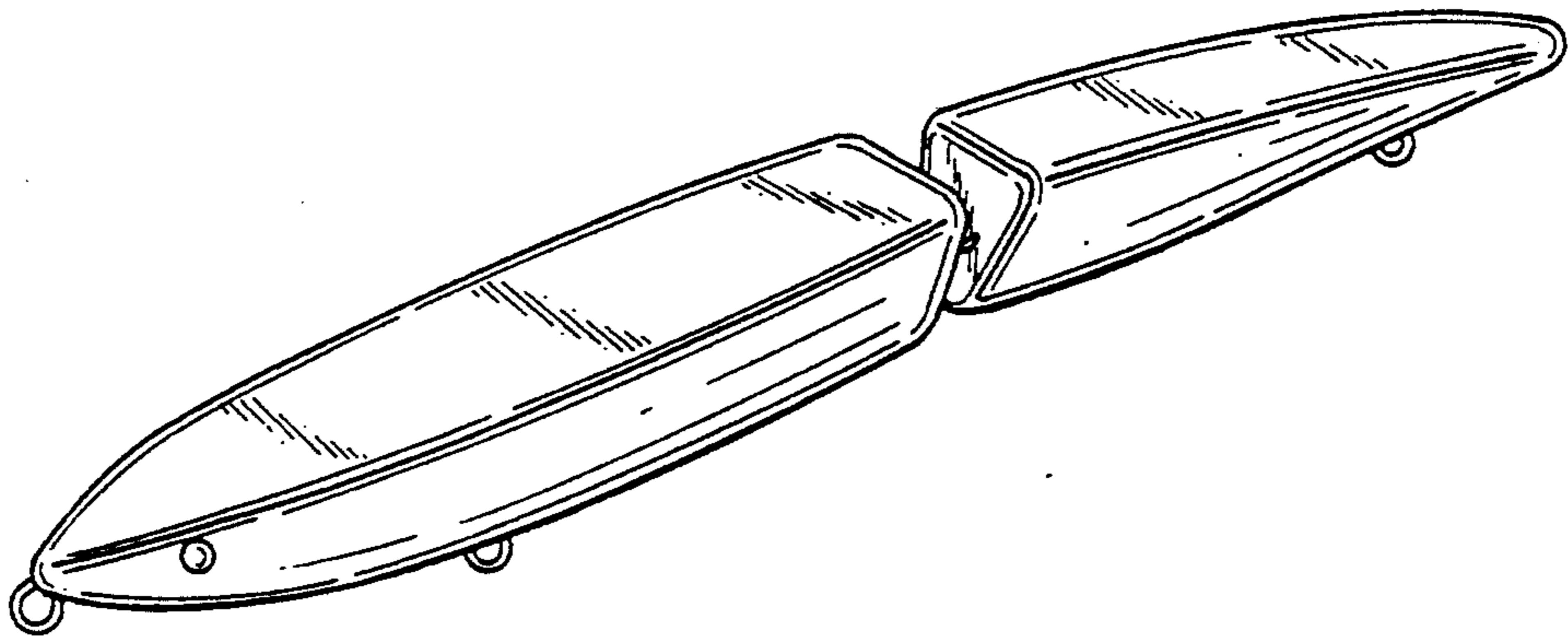


FIG. 1

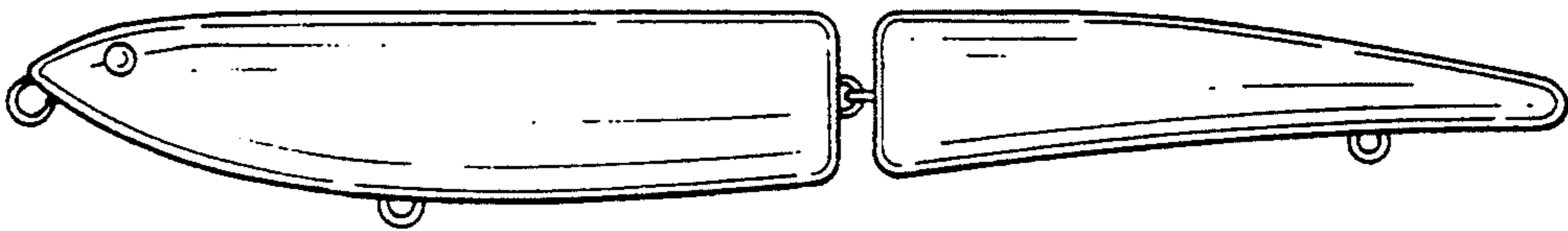


FIG. 2

