



US00D347458S

# United States Patent [19]

[11] Patent Number: Des. 347,458

Cunard et al.

[45] Date of Patent: \*\* May 31, 1994

[54] CHILDREN'S PLAY GYM

[75] Inventors: Joel C. Cunard; Robert J. Boudreau; William H. Ziegler, Jr., all of Bedford, Pa.

[73] Assignee: Hedstrom Corporation, Bedford, Pa.

[\*\*] Term: 14 Years

[21] Appl. No.: 4,370

[22] Filed: Feb. 3, 1993

[52] U.S. Cl. .... D21/243; D21/244

[58] Field of Search ..... 472/116, 117, 136, 92; 482/35, 36, 37; D21/240, 244, 245

[56] References Cited

U.S. PATENT DOCUMENTS

D. 189,581	1/1961	Williams et al. ....	D21/245 X
D. 224,243	7/1972	Hock et al. ....	D21/244
D. 271,037	10/1983	Gordon ....	D21/244
D. 340,273	10/1993	Ezell ....	D21/244
4,262,900	4/1981	Vinson ....	472/116 X
4,447,055	5/1984	Ahrens ....	472/116 X
4,811,943	3/1989	Ahrens ....	472/116

OTHER PUBLICATIONS

Playthings, Sep. 1985, p. 43, Swing Design Challenger 10, top of the page.

Play Designs, 1991, Discovery Series, center of the page.

Swing Design, 1981, front page as shown.

Child Life, 1992, center of the page.

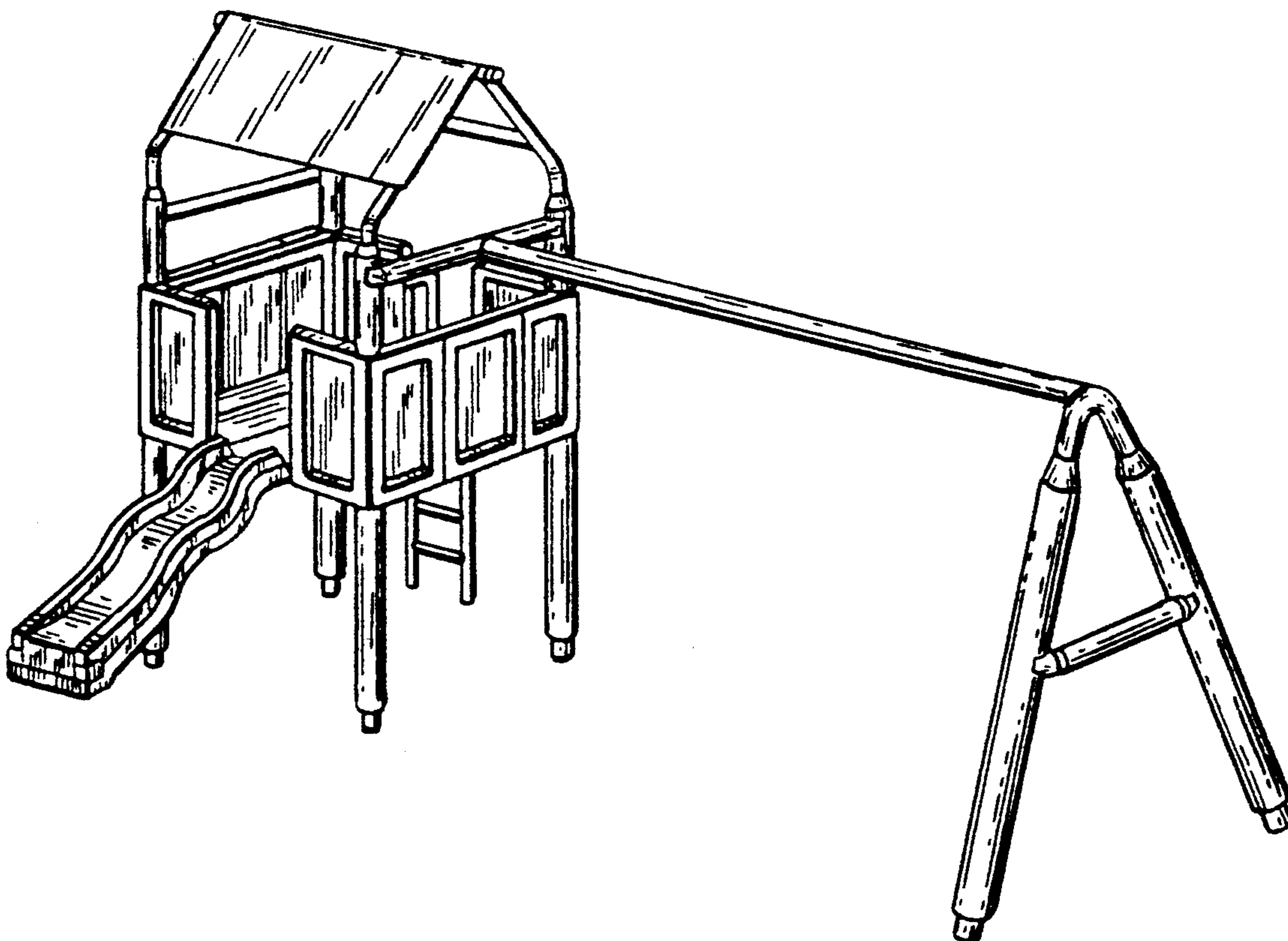
Primary Examiner—Prabhakar G. Deshmukh  
Attorney, Agent, or Firm—Cesari and McKenna

[57] CLAIM

The ornamental design for a children's play gym, as shown.

DESCRIPTION

FIG. 1 is a left front perspective view of a children's play gym showing our new design; FIG. 2 is a right side elevational view thereof; FIG. 3 is a top plan view thereof; FIG. 4 is a rear elevational view thereof; and, FIG. 5 is a bottom plan view thereof. The bottom is unornamented.



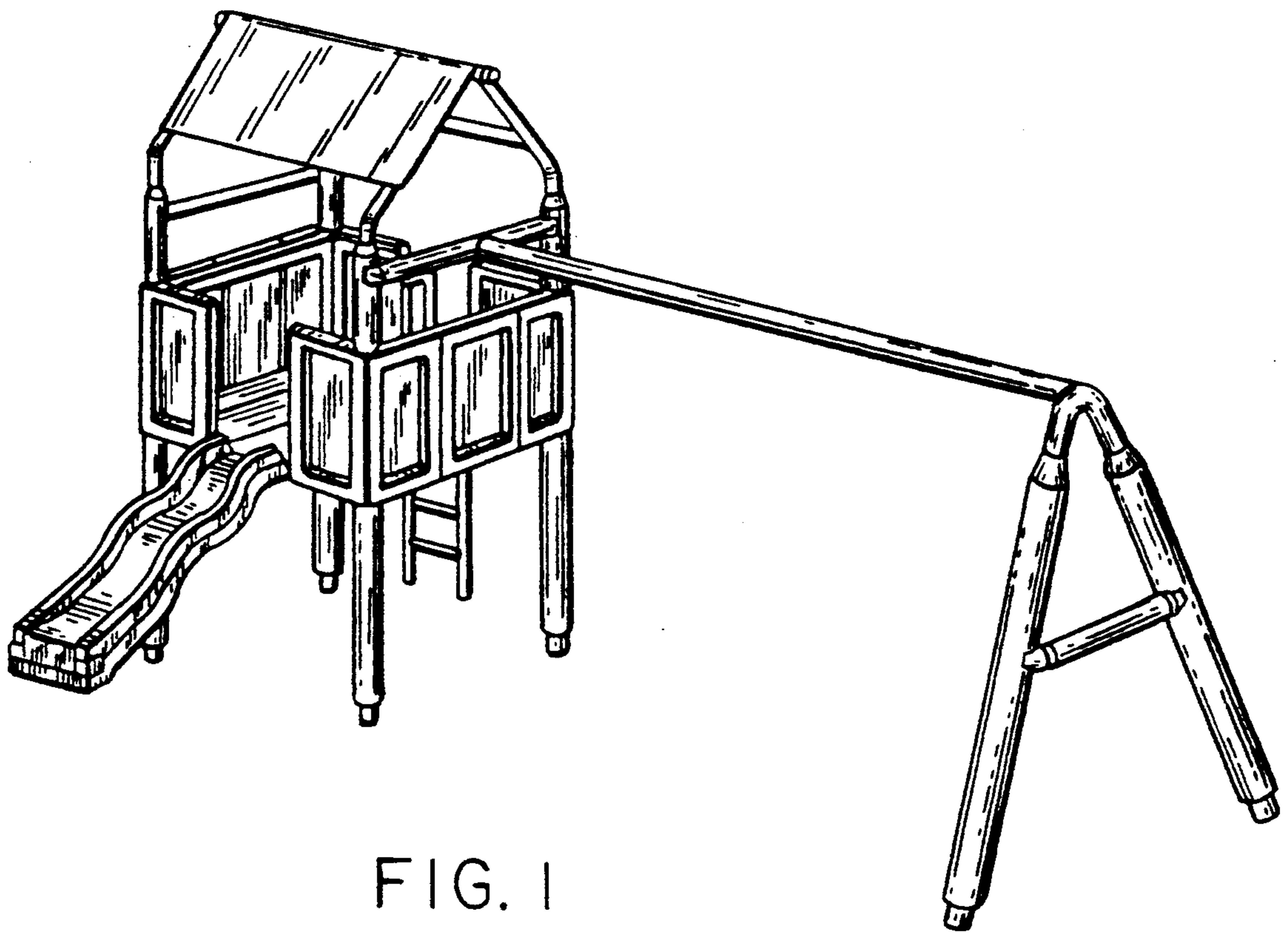


FIG. 1

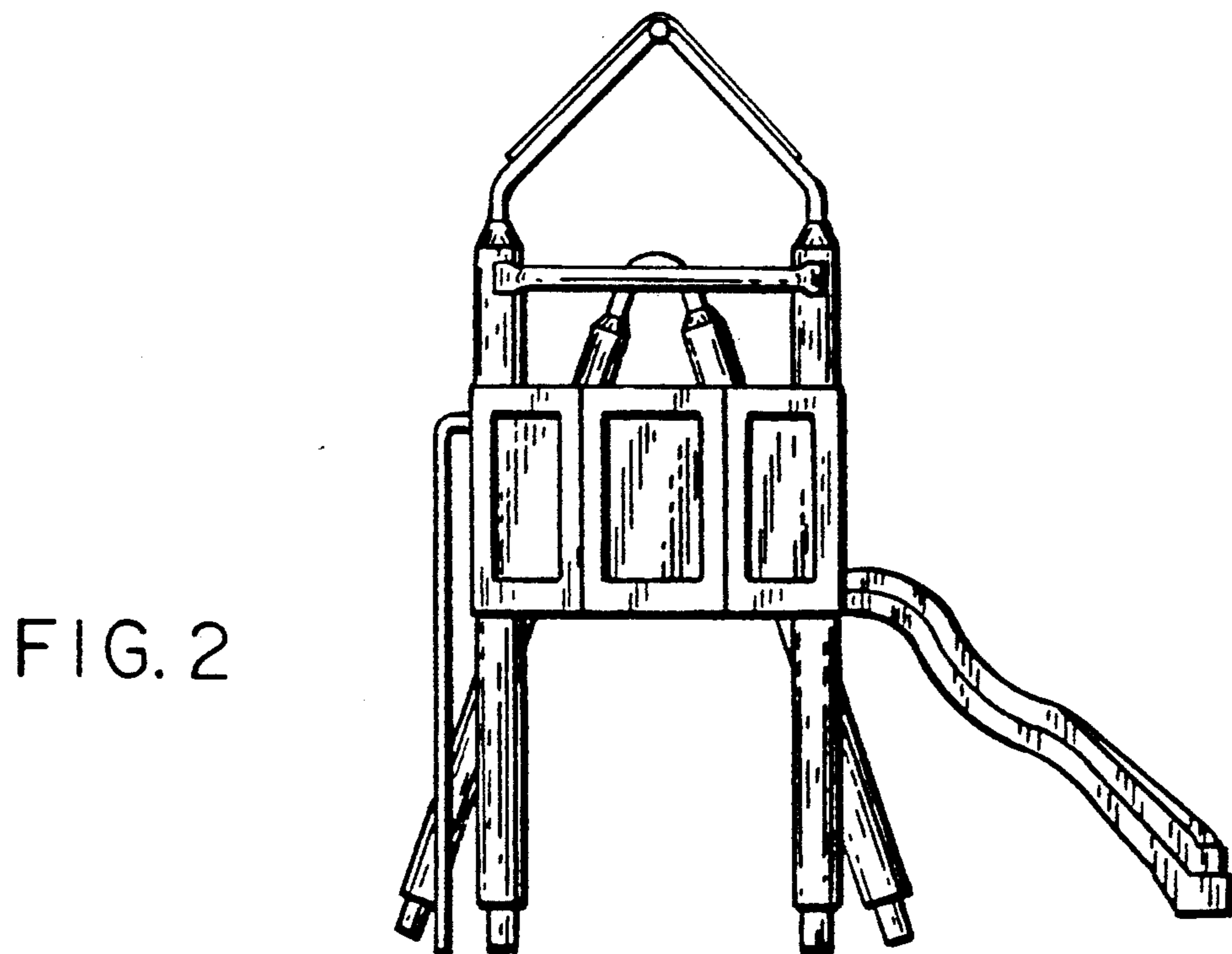


FIG. 2

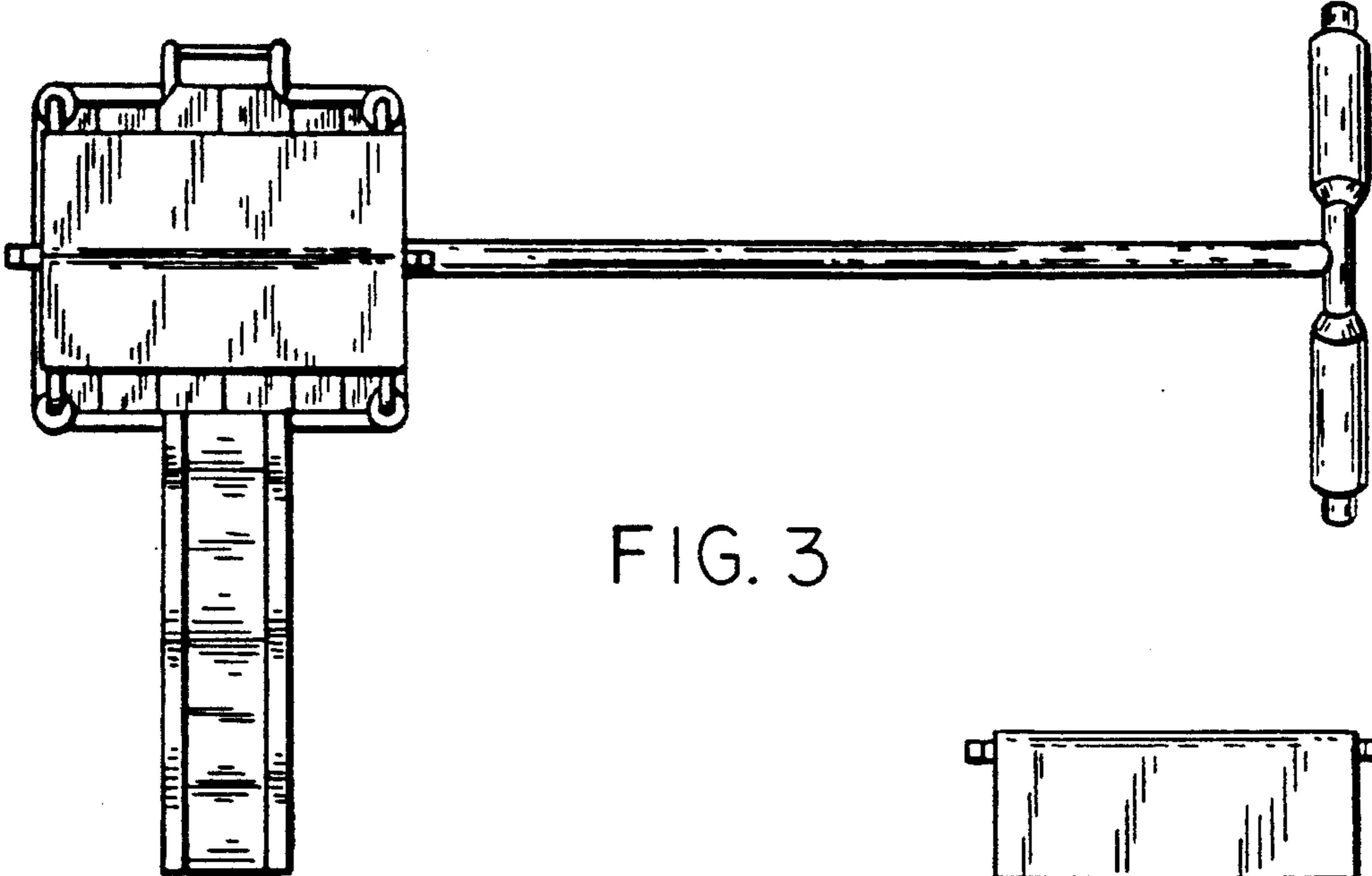


FIG. 3

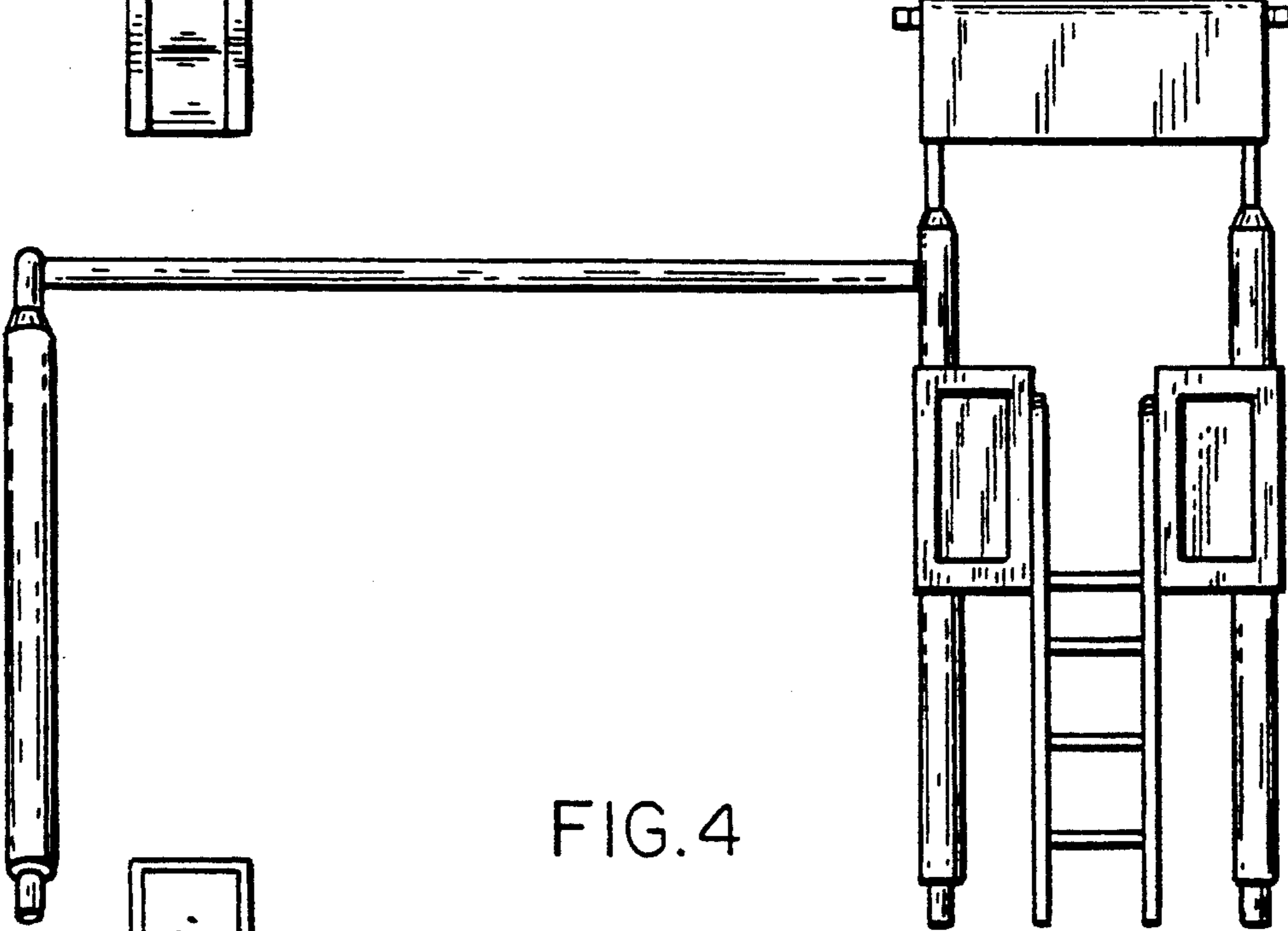


FIG. 4

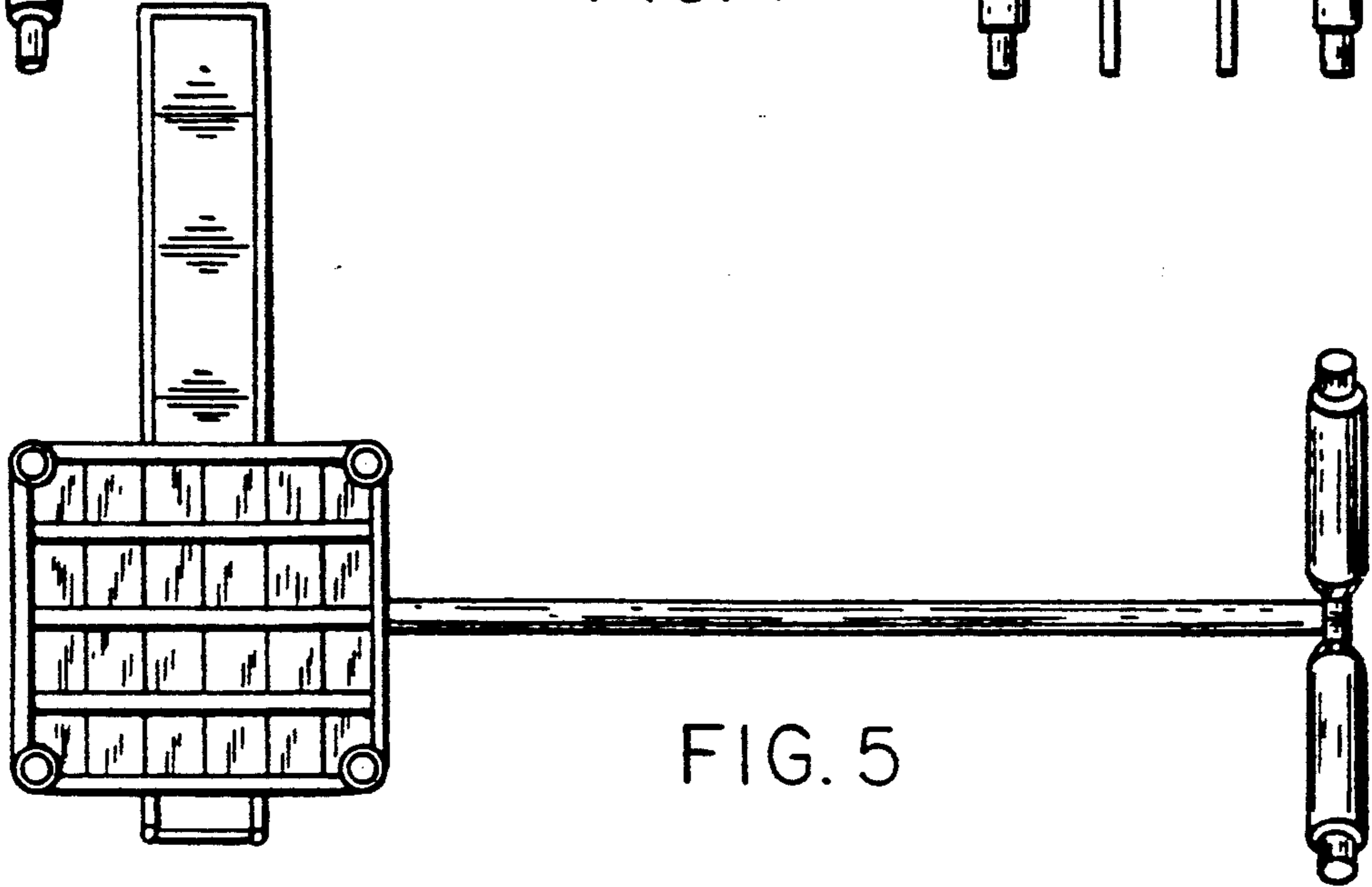


FIG. 5