



US00D347457S

# United States Patent [19]

[11] Patent Number: **Des. 347,457**

**Armstrong, III**

[45] Date of Patent: **\*\* May 31, 1994**

[54] **GOLF PUTTER SWING ALIGNMENT DEVICE**

[75] Inventor: **Walter E. Armstrong, III, Maitland, Fla.**

[73] Assignee: **Wally Armstrong Golf, Inc., Paoli, Pa.**

[\*\*] Term: **14 Years**

[21] Appl. No.: **995**

[22] Filed: **Nov. 2, 1992**

[52] U.S. Cl. .... **D21/234**

[58] Field of Search ..... **273/163 R, 163 A, 187.4, 273/186.2, 194 R; D21/234**

3,298,693	1/1967	Eisenberg .
3,698,093	10/1972	Marshall .
3,951,415	4/1976	Stuart .
4,167,268	9/1979	Lorang .
4,174,838	11/1979	Paschetto .
4,789,158	12/1988	Chiesa .
4,934,706	6/1990	Marshall .
4,949,971	8/1990	Thornton .
4,953,867	9/1990	Rigsby .
5,071,129	12/1991	Wilson .
5,143,376	9/1992	Johnson ..... 273/186.2

*Primary Examiner*—B. J. Bullock  
*Attorney, Agent, or Firm*—Cislo & Thomas

[57] **CLAIM**

The ornamental design for a golf putter swing alignment device, as shown and described.

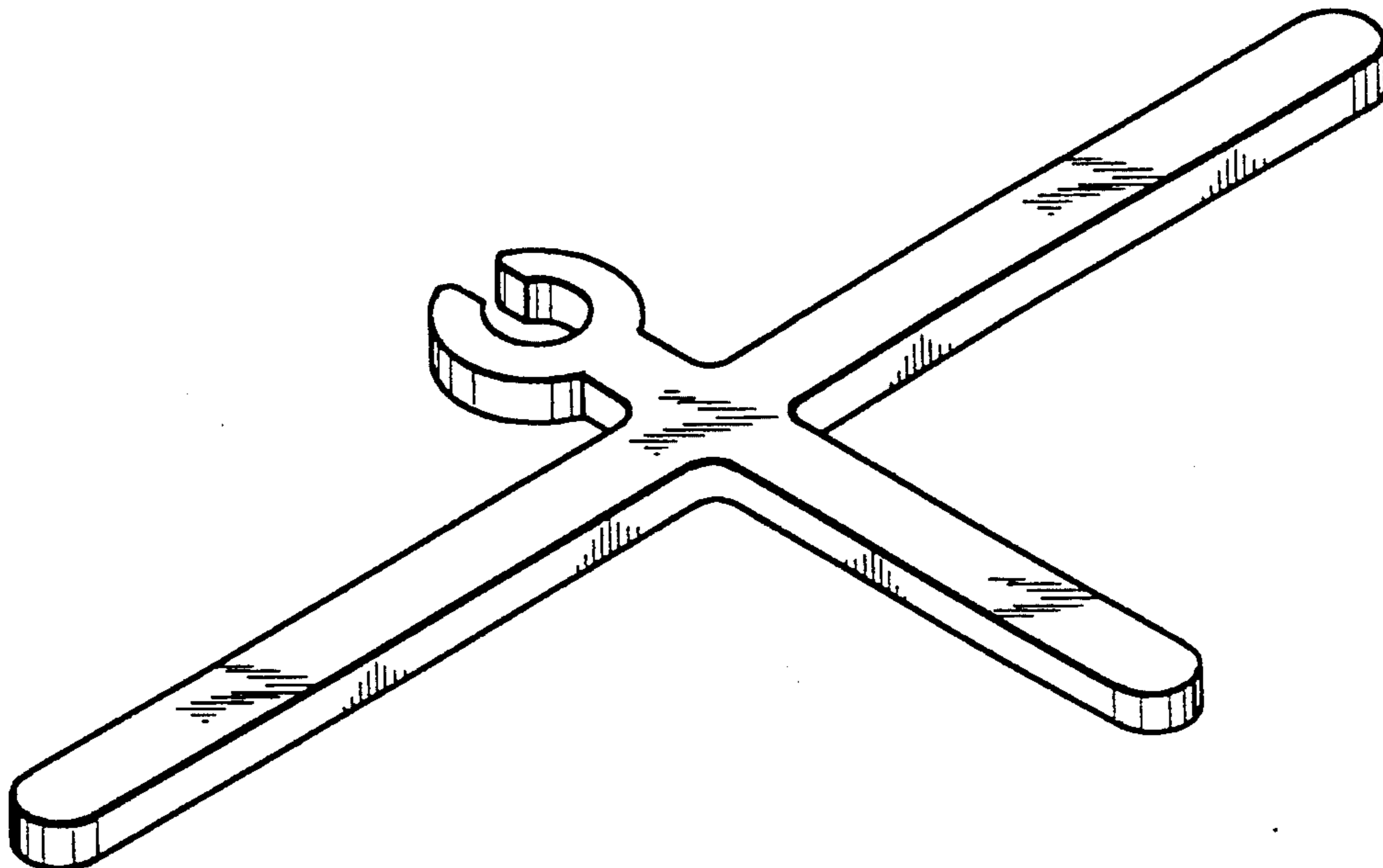
**DESCRIPTION**

FIG. 1 is a perspective view of my golf putter swing alignment device showing my new design; FIG. 2 is a top plan view thereof, with the bottom plan view being a mirror image thereof; FIG. 3 is a rear elevational view thereof; FIG. 4 is a front elevational view thereof; and, FIG. 5 is a right side elevational view thereof with the left side elevational view being a mirror image thereof.

[56] **References Cited**

**U.S. PATENT DOCUMENTS**

D. 339,840	9/1993	Coconate ..... D21/234
2,771,678	11/1956	Hansen, Sr. .
2,898,109	8/1959	Williams .
3,033,574	5/1962	Partridge .
3,198,525	8/1965	Smith .
3,253,829	5/1966	Ford .
3,262,705	7/1966	Nunziato .
3,273,893	9/1966	Duncan .



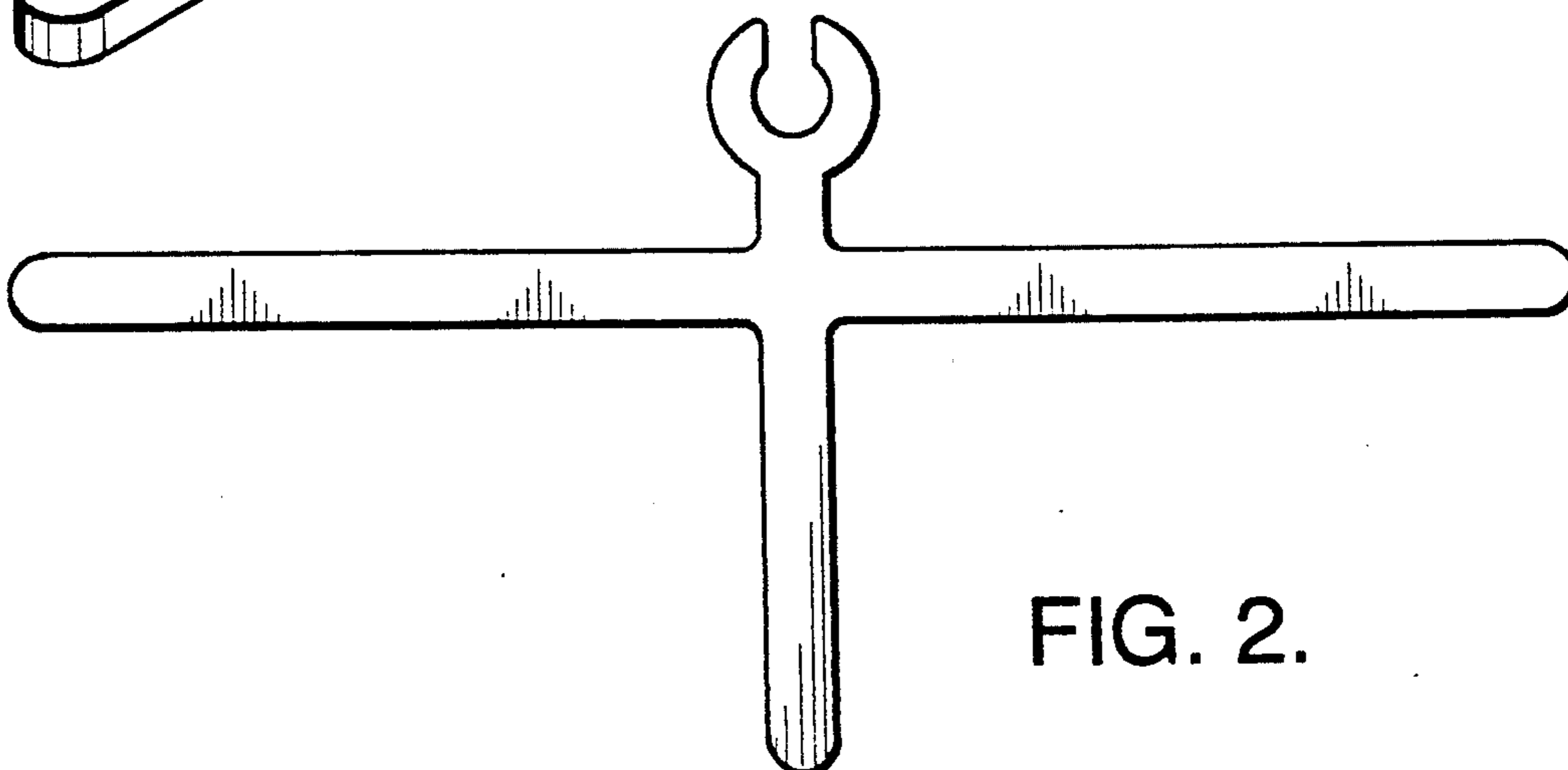
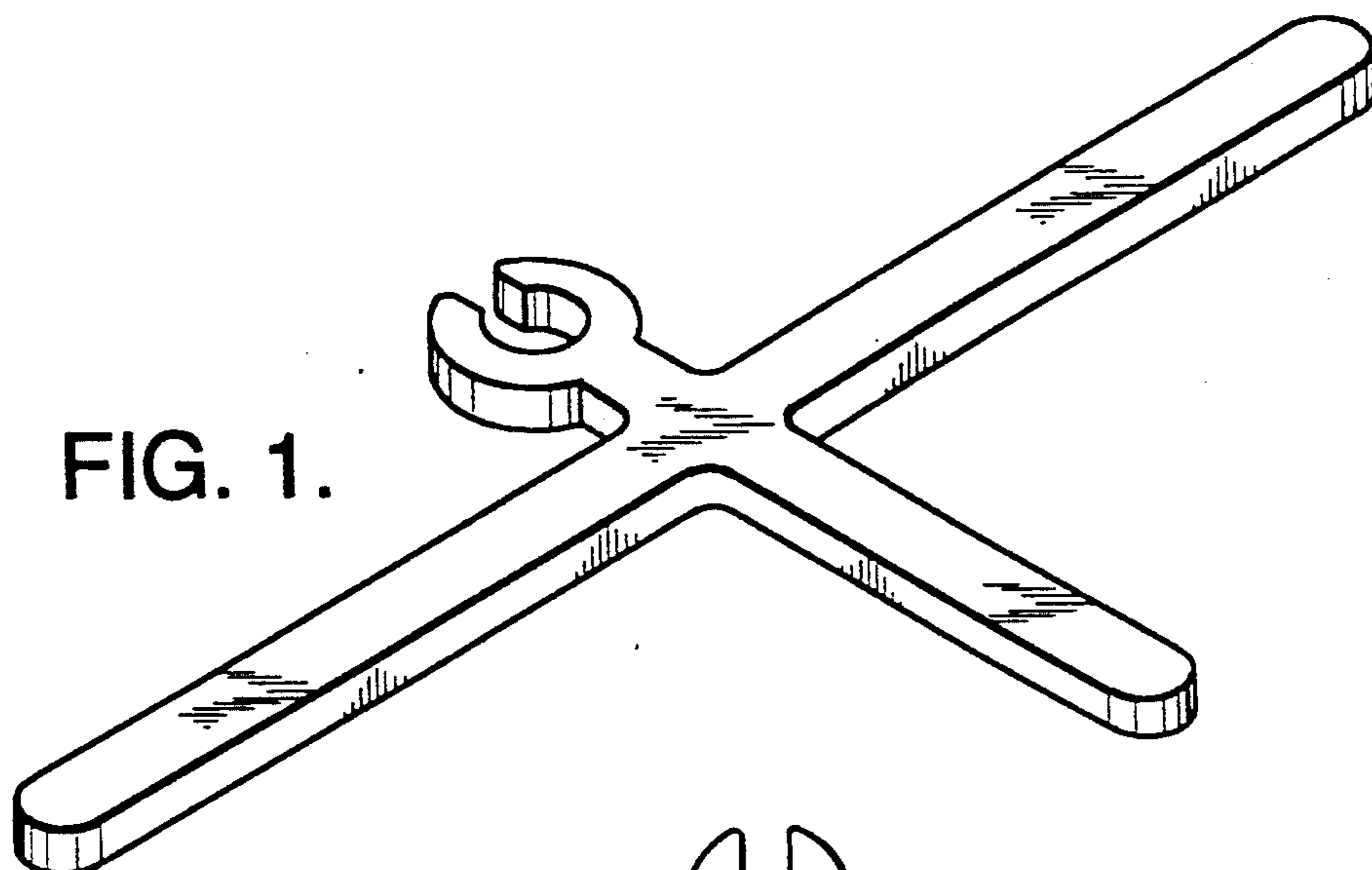


FIG. 3.



FIG. 4.



FIG. 5.