



US00D347452S

United States Patent [19]

[11] Patent Number: **Des. 347,452**

Timperman et al.

[45] Date of Patent: **** May 31, 1994**

[54] HOVERCRAFT TOY

[56] References Cited

[76] Inventors: **Eugene L. Timperman**, 10639 Silverbrook Dr., Cincinnati, Ohio 45240; **Le T. Phan**, 3235 Ferncroft, Cincinnati, Ohio 45211

U.S. PATENT DOCUMENTS

D. 183,626	9/1958	Morrison	D21/86
D. 209,763	1/1968	Mueller	D21/86 X
D. 241,565	9/1976	Molenaar	D21/86 X
D. 310,692	9/1990	Harker	D21/86
D. 327,921	7/1992	Sabel	D21/86
4,216,611	8/1980	Psyras	446/46

[**] Term: **14 Years**

Primary Examiner—Bernard Ansher
Assistant Examiner—Dominic Simone

[21] Appl. No.: **5,721**

[57] CLAIM

The ornamental design for a hovercraft toy, as shown and described.

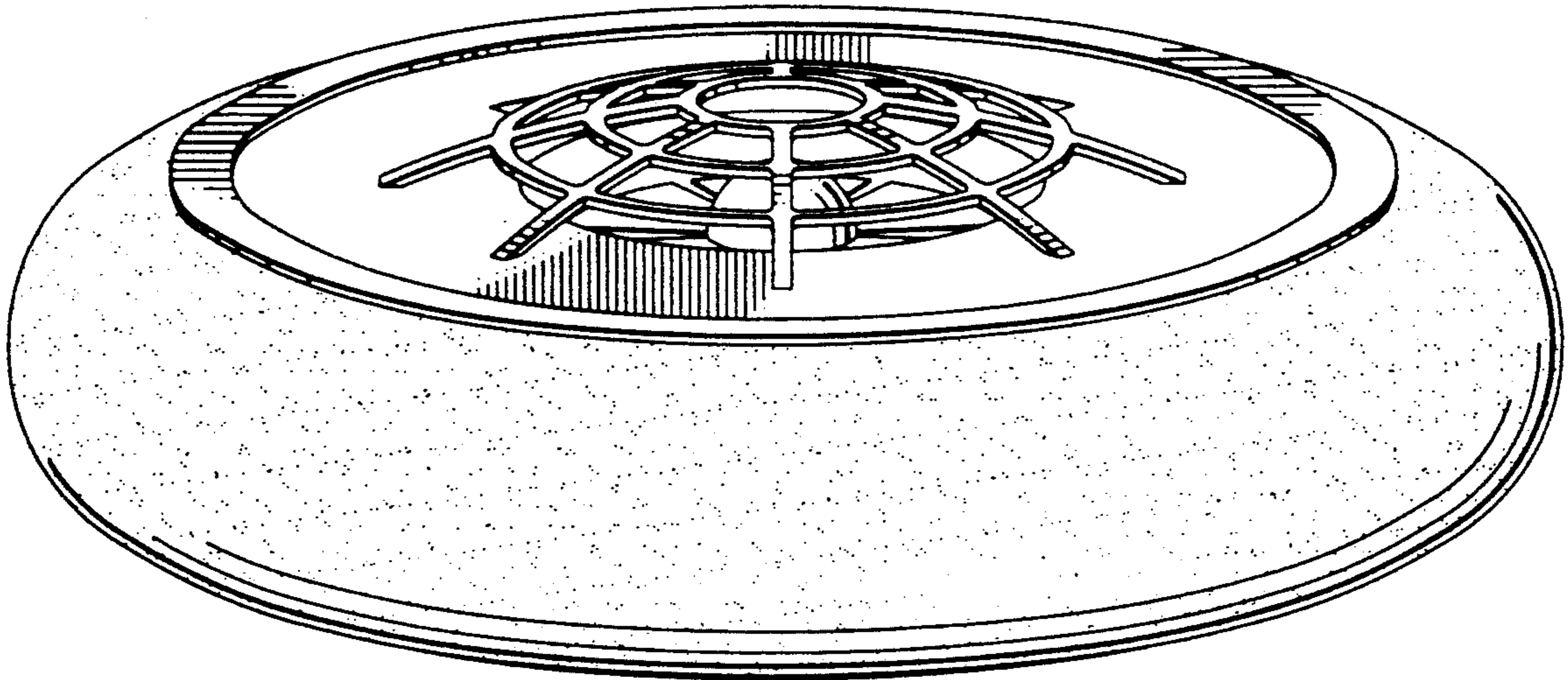
[22] Filed: **Mar. 10, 1993**

DESCRIPTION

Related U.S. Application Data

- [63] Continuation-in-part of Ser. No. 248, Jan. 4, 1993.
- [52] U.S. Cl. **D21/86; D21/82**
- [58] Field of Search 273/424, 425; 446/46, 446/47, 48, 424; D21/82, 85, 86

FIG. 1 is a perspective view of a hovercraft toy showing our new design;
 FIG. 2 is a top plan view thereof showing our new design;
 FIG. 3 is a side elevational view thereof showing our new design, all sides being substantially the same; and,
 FIG. 4 is a bottom plan view thereof.



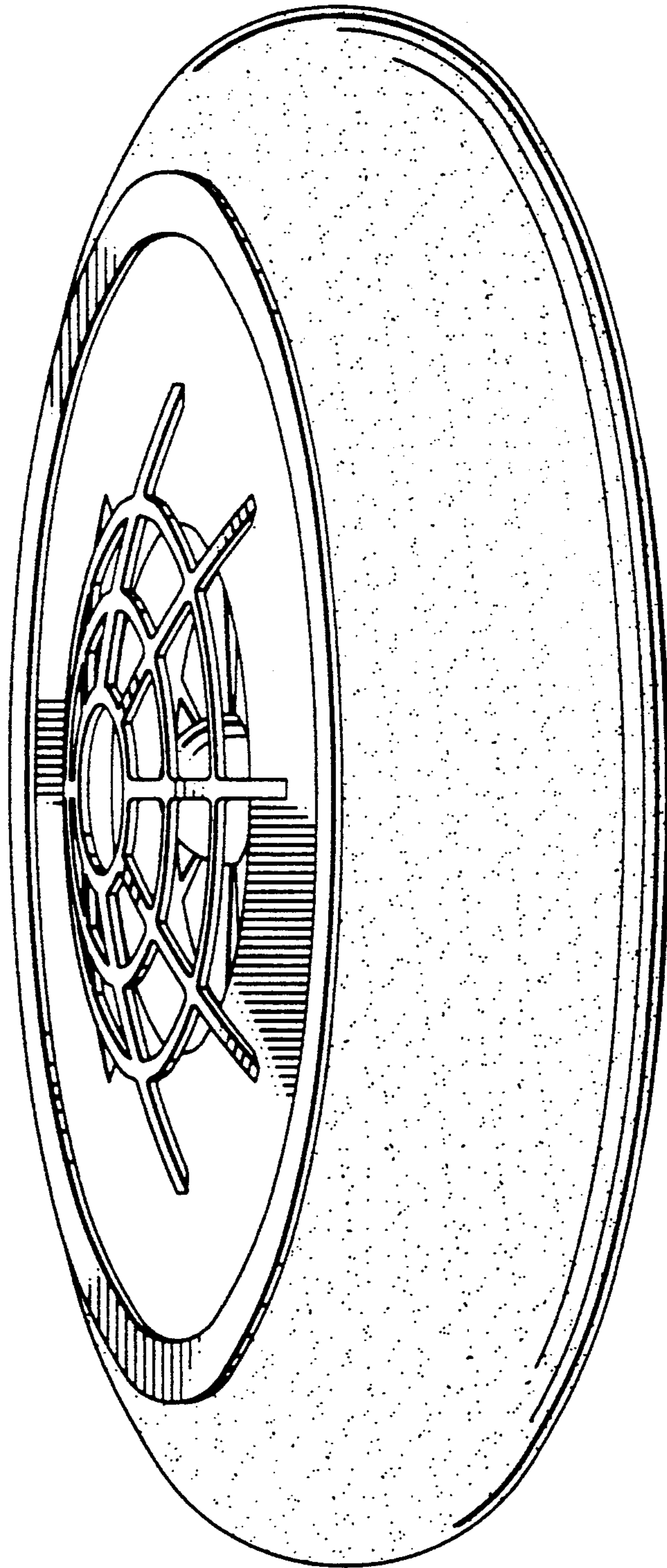


FIG. 1

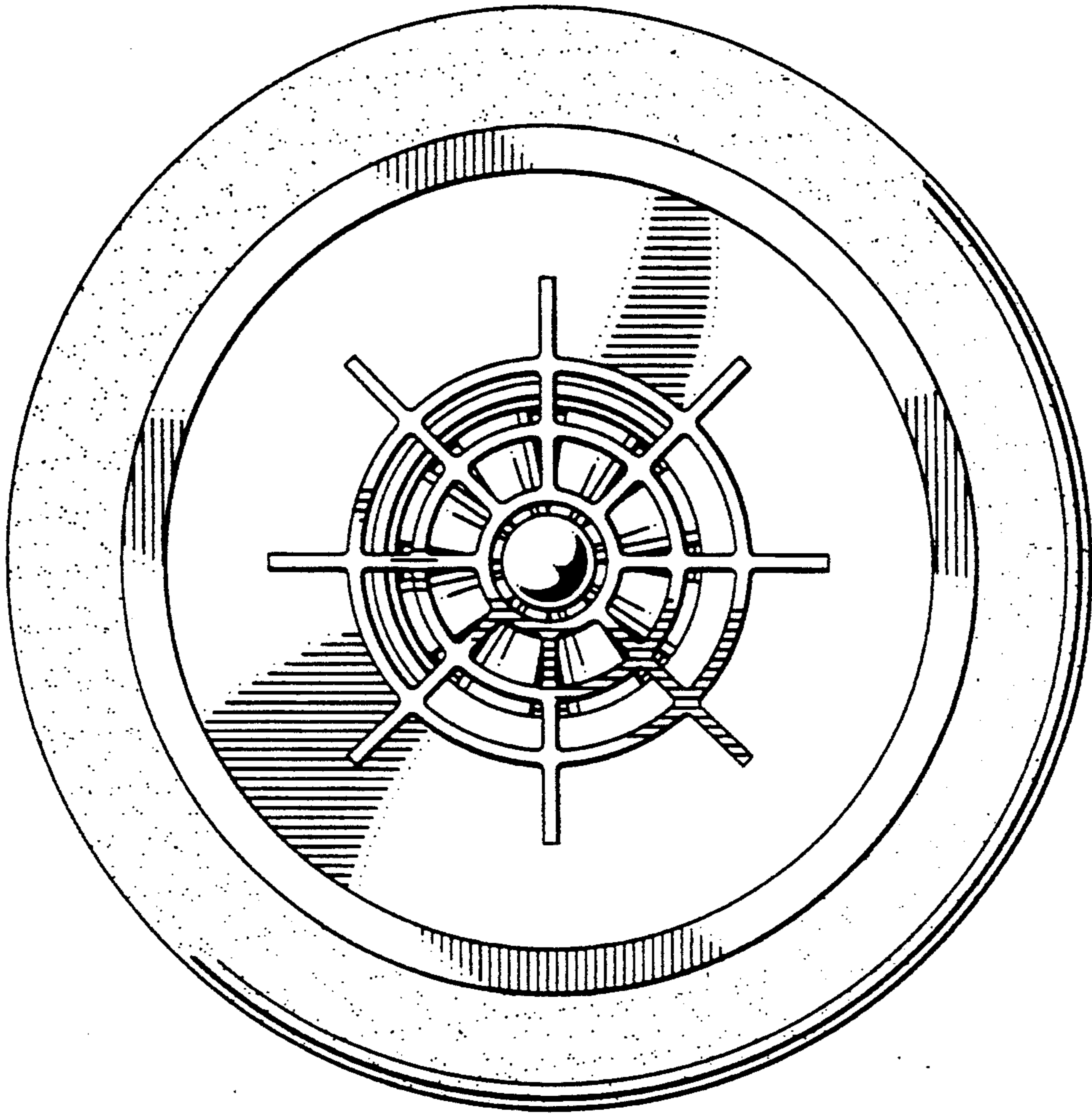


FIG. 2

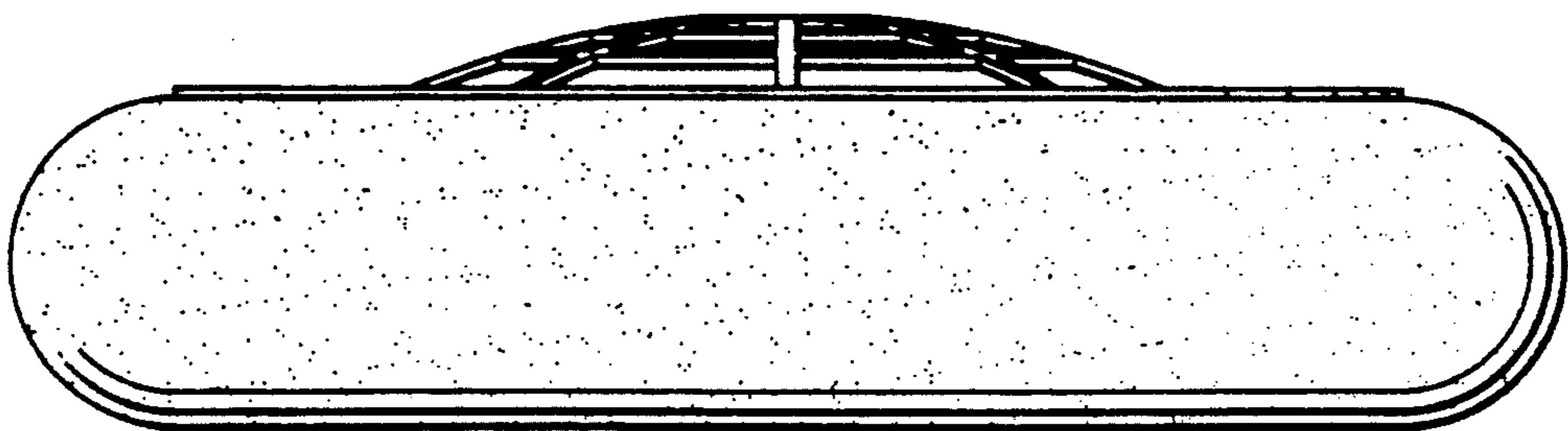


FIG. 3

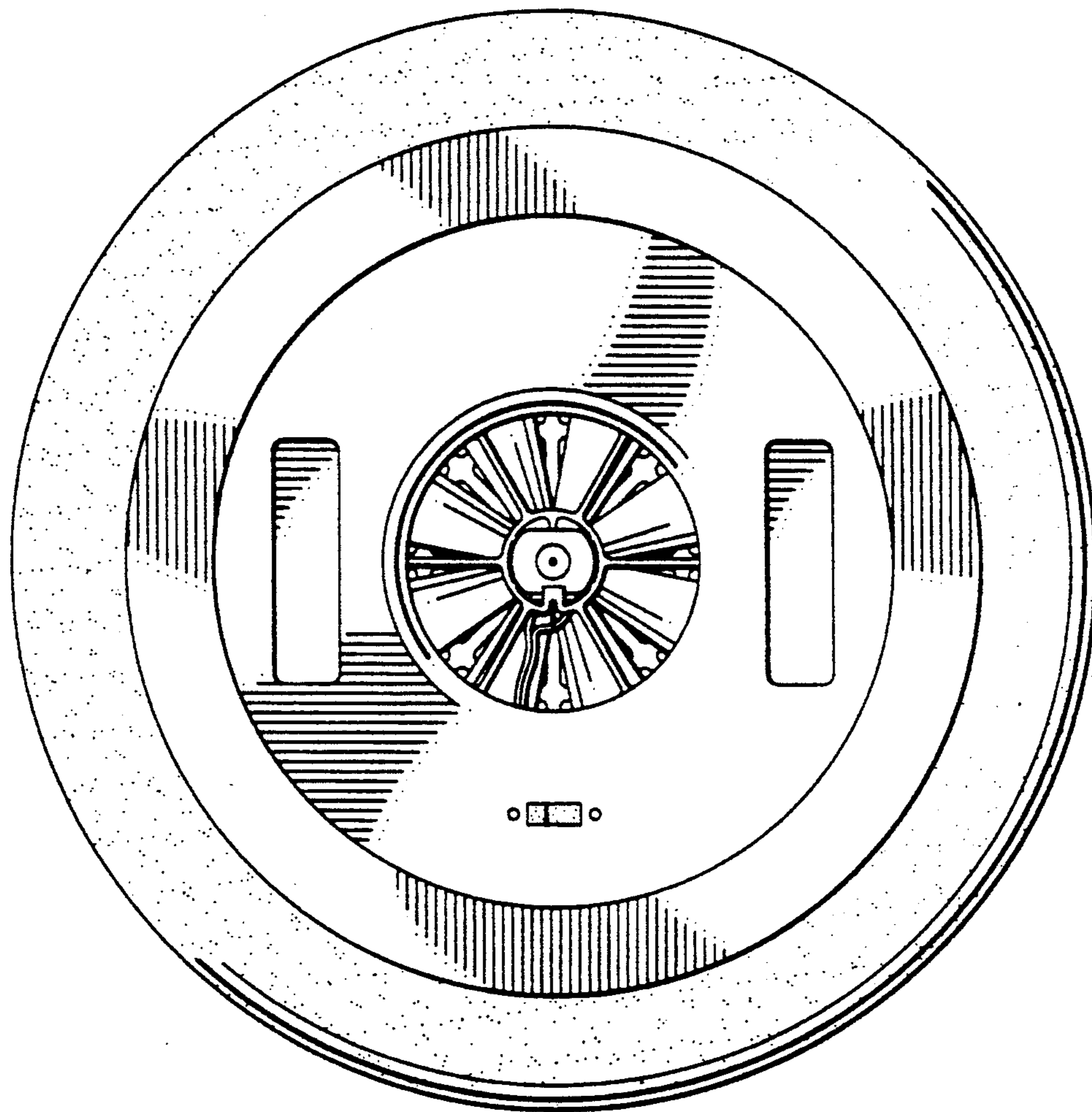


FIG. 4