



US00D347449S

United States Patent [19]

[11] Patent Number: **Des. 347,449**

Garfinkle

[45] Date of Patent: **** May 31, 1994**

[54] TAG HOLDER

4,334,372 6/1982 Colmar 40/650
4,775,058 10/1988 Yastko 40/650

[76] Inventor: **Benjamin L. Garfinkle**, 1120 Portal Ave., Piedmont, Calif. 94610

Primary Examiner—Wallace R. Burke
Assistant Examiner—Marcus Jackson
Attorney, Agent, or Firm—Malcolm B. Wittenberg

[**] Term: **14 Years**

[21] Appl. No.: **668**

[57] **CLAIM**

[22] Filed: **Oct. 20, 1992**

The ornamental design for a tag holder, as shown and described.

[52] U.S. Cl. **D20/43**

[58] Field of Search 40/1, 1.6, 642, 643,
40/644, 649, 650, 658, 661, 662; D20/10, 39, 40,
42, 43, 44

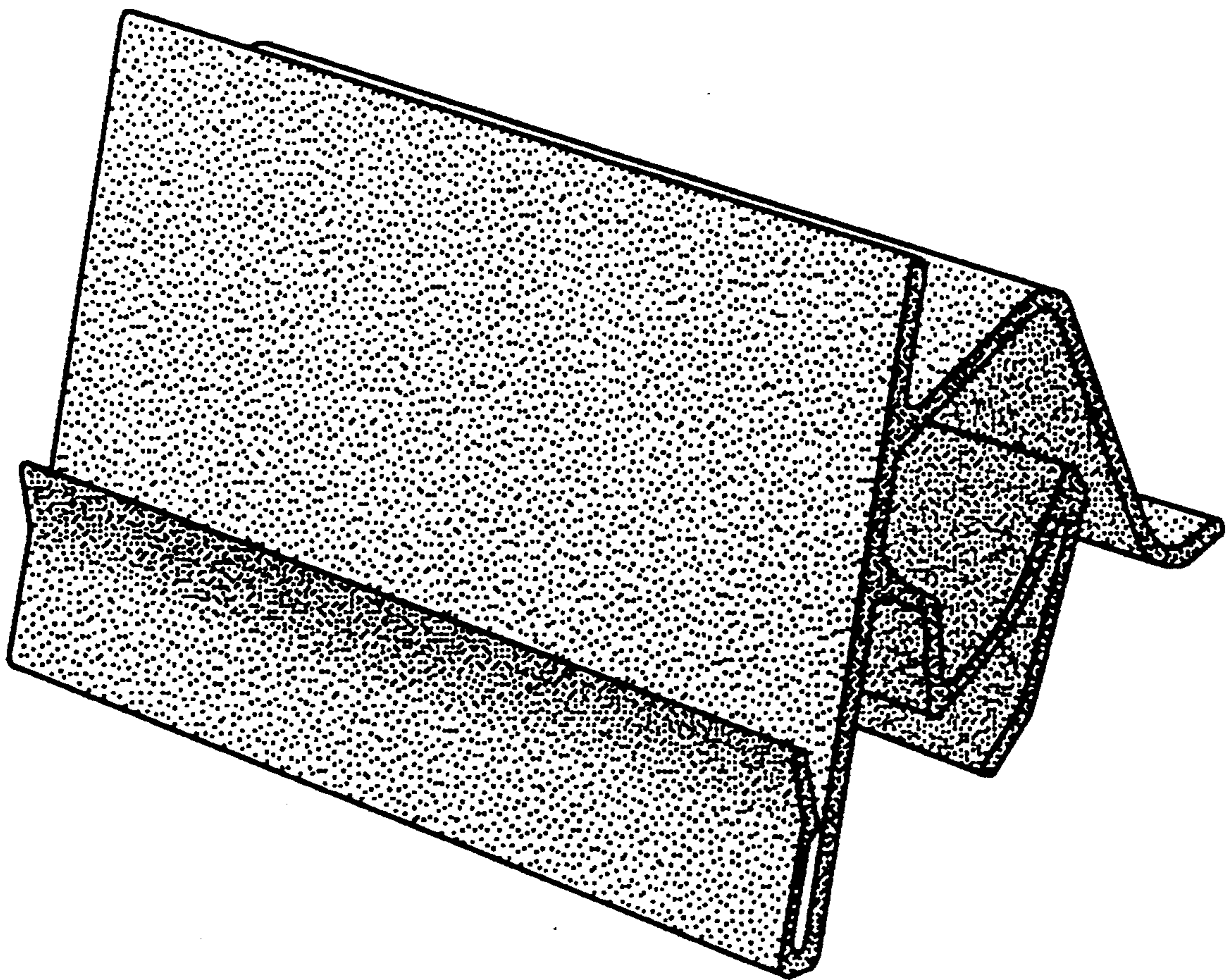
DESCRIPTION

[56] **References Cited**

U.S. PATENT DOCUMENTS

D. 225,208 11/1972 Miller D20/44
2,950,554 8/1960 Foster 40/650
3,320,690 5/1967 Forsburg 40/650

FIG. 1 shows a perspective;
FIG. 2 shows a top plan view;
FIG. 3 shows a front elevational view;
FIG. 4 shows a left side elevational view, the right side is a mirror image thereof;
FIG. 5 shows a rear elevational view; and,
FIG. 6 shows a bottom plan view.



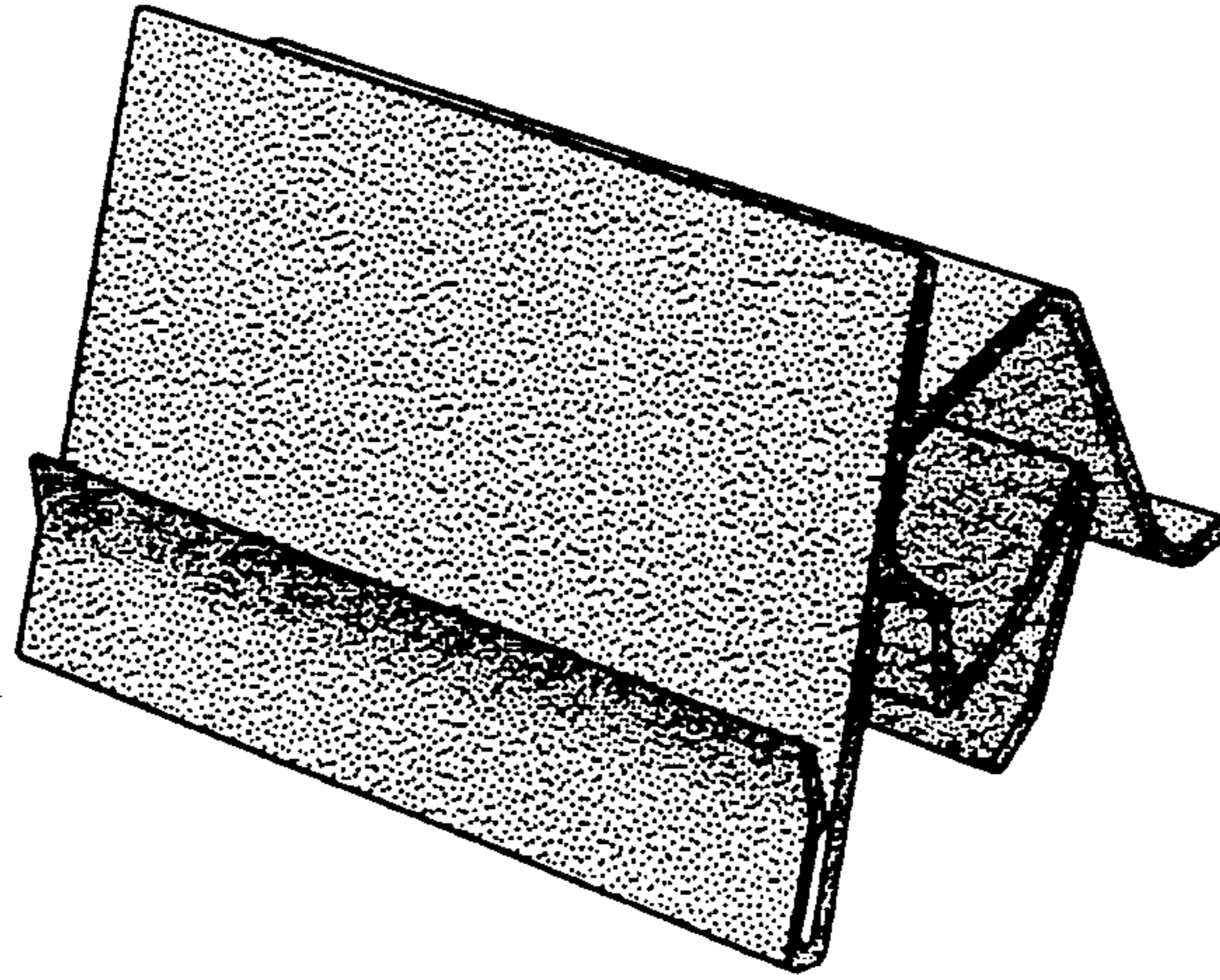


FIG. 1

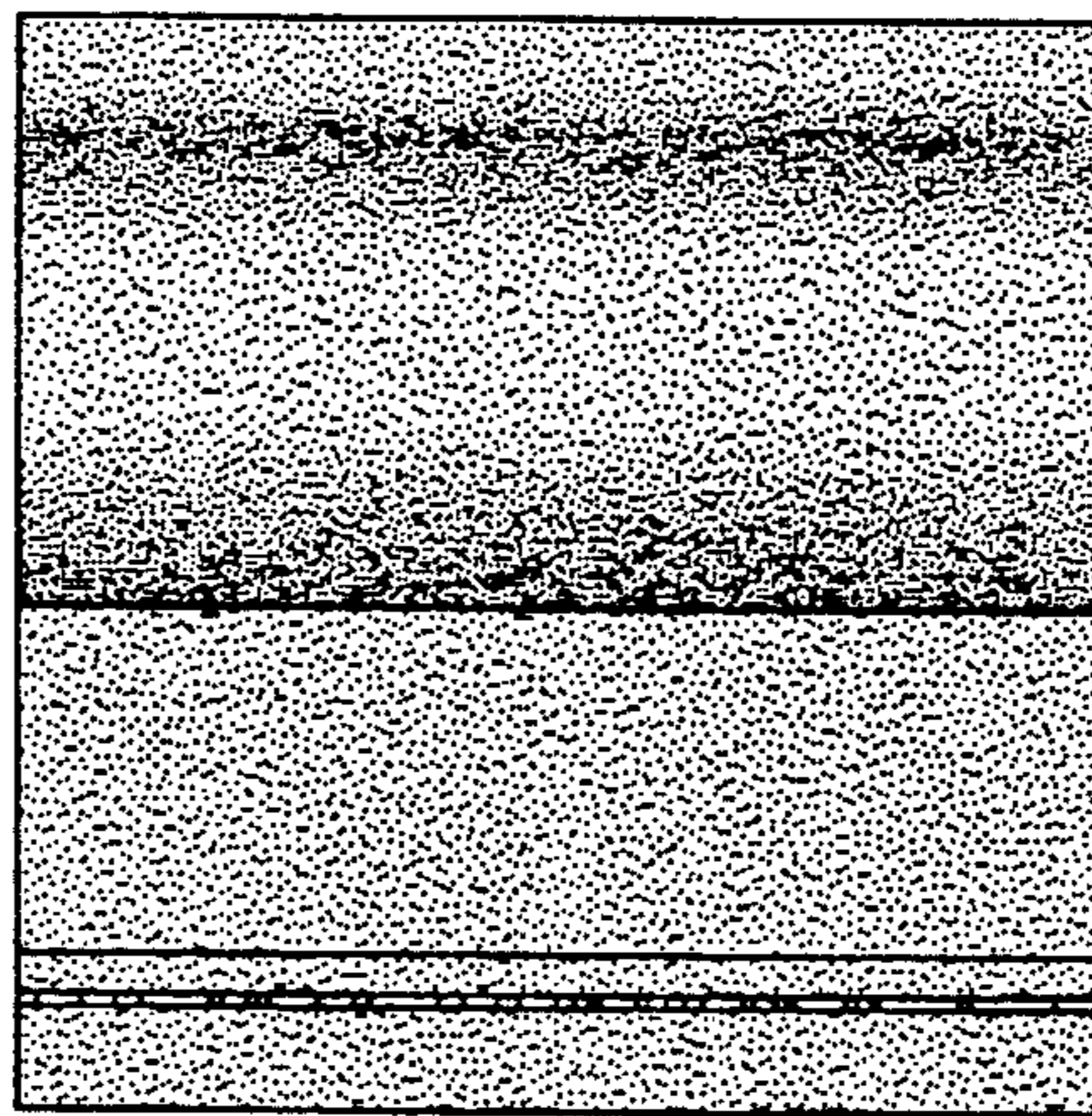


FIG. 2

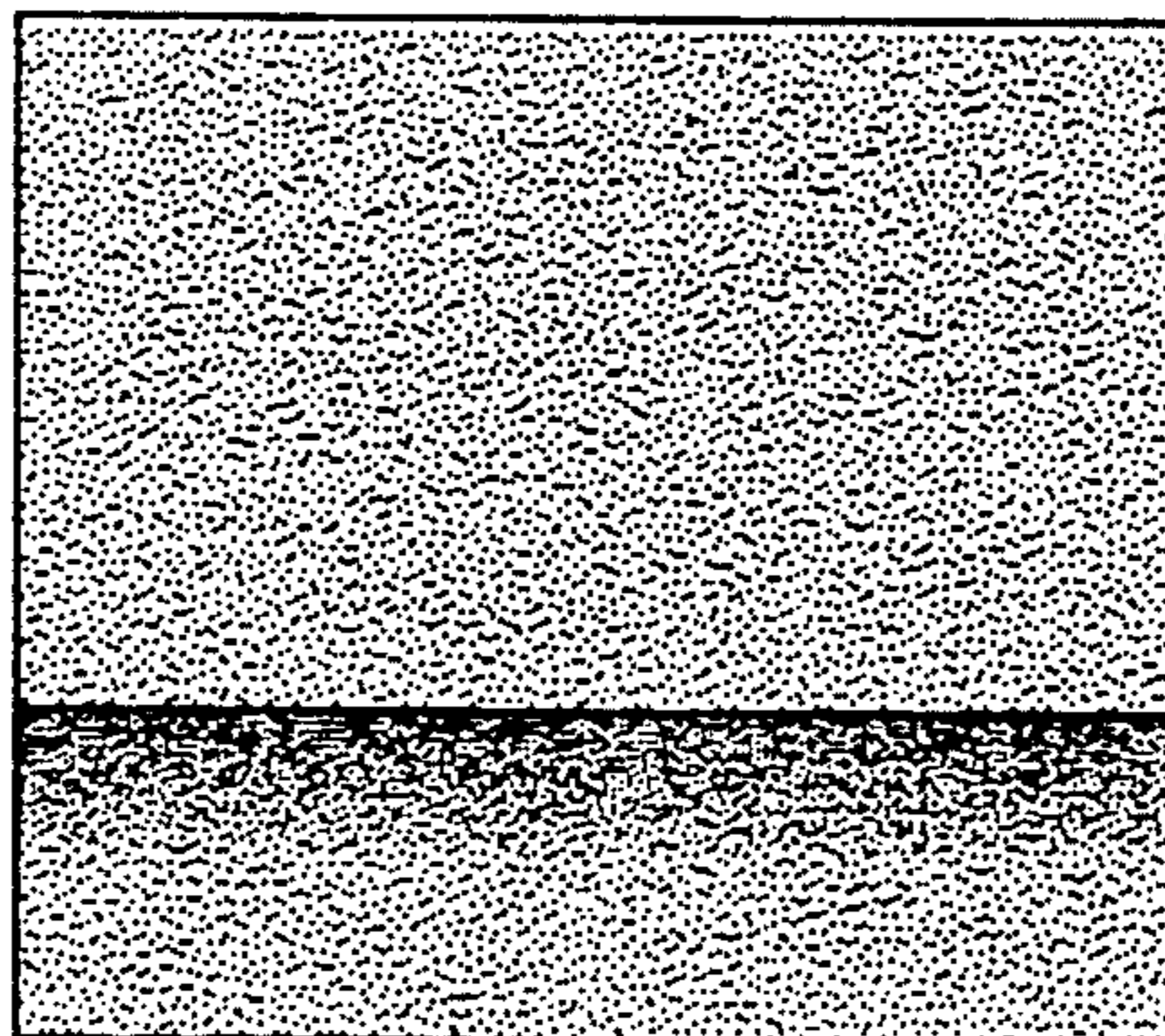


FIG. 3

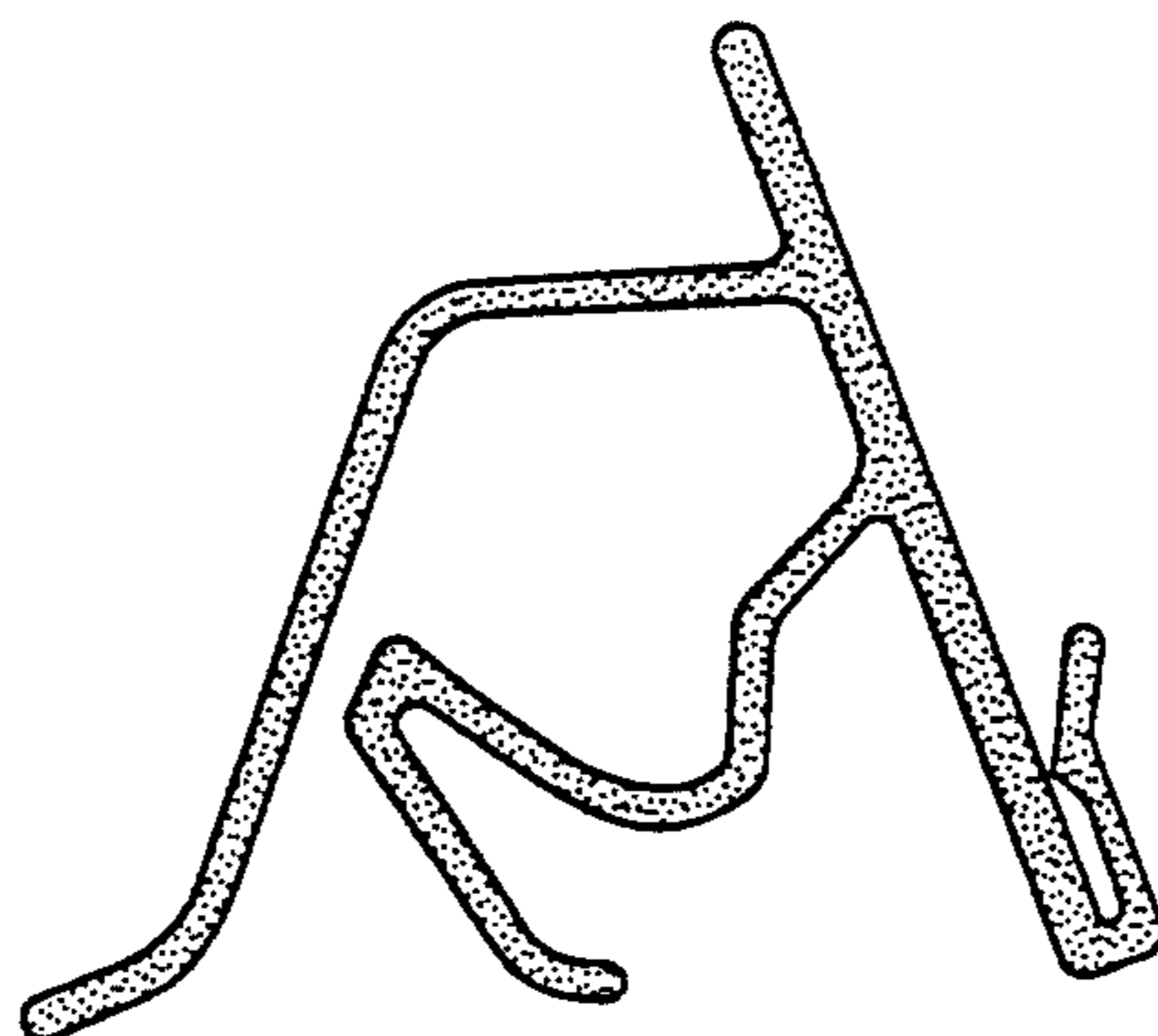


FIG. 4

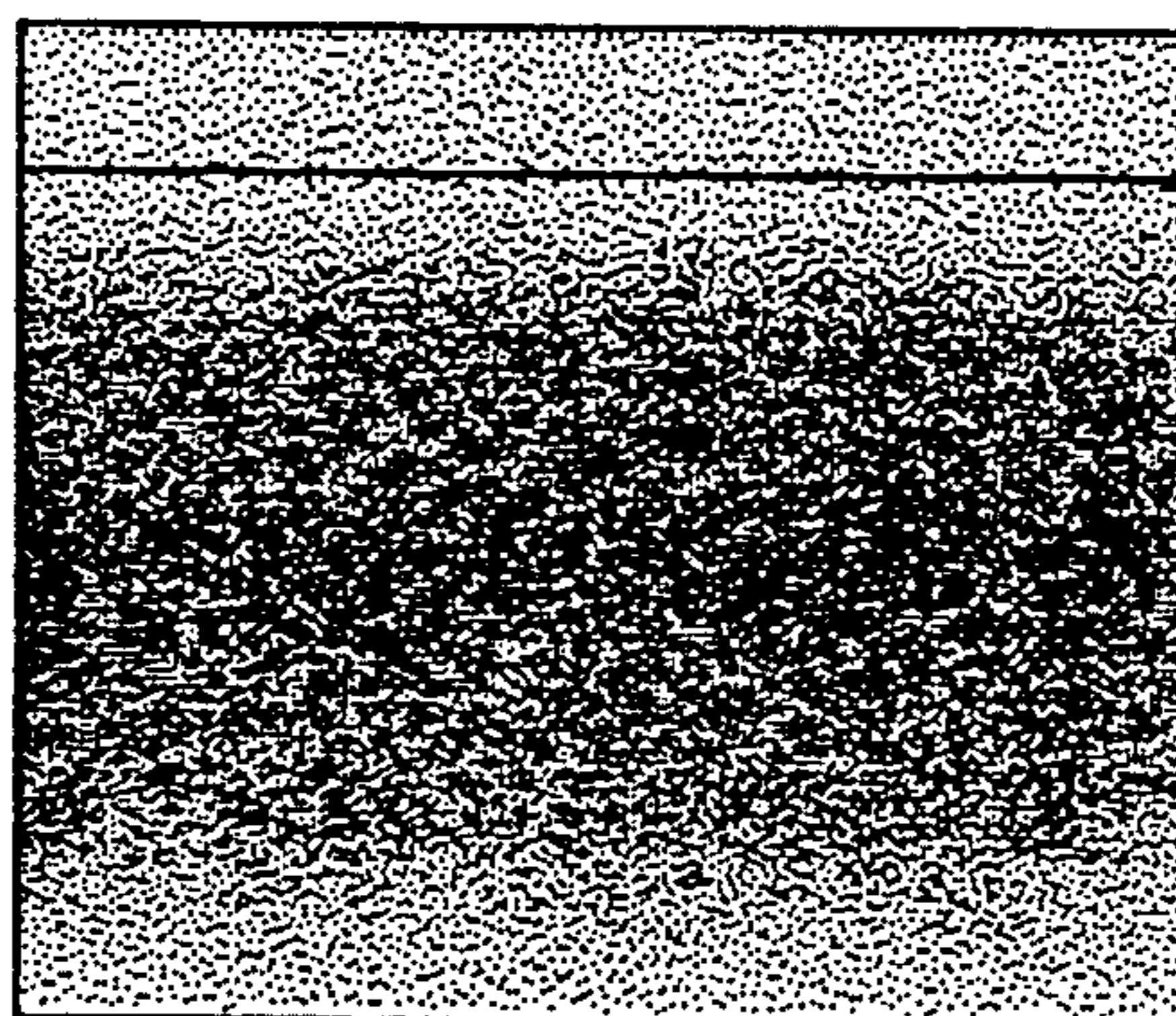


FIG. 5

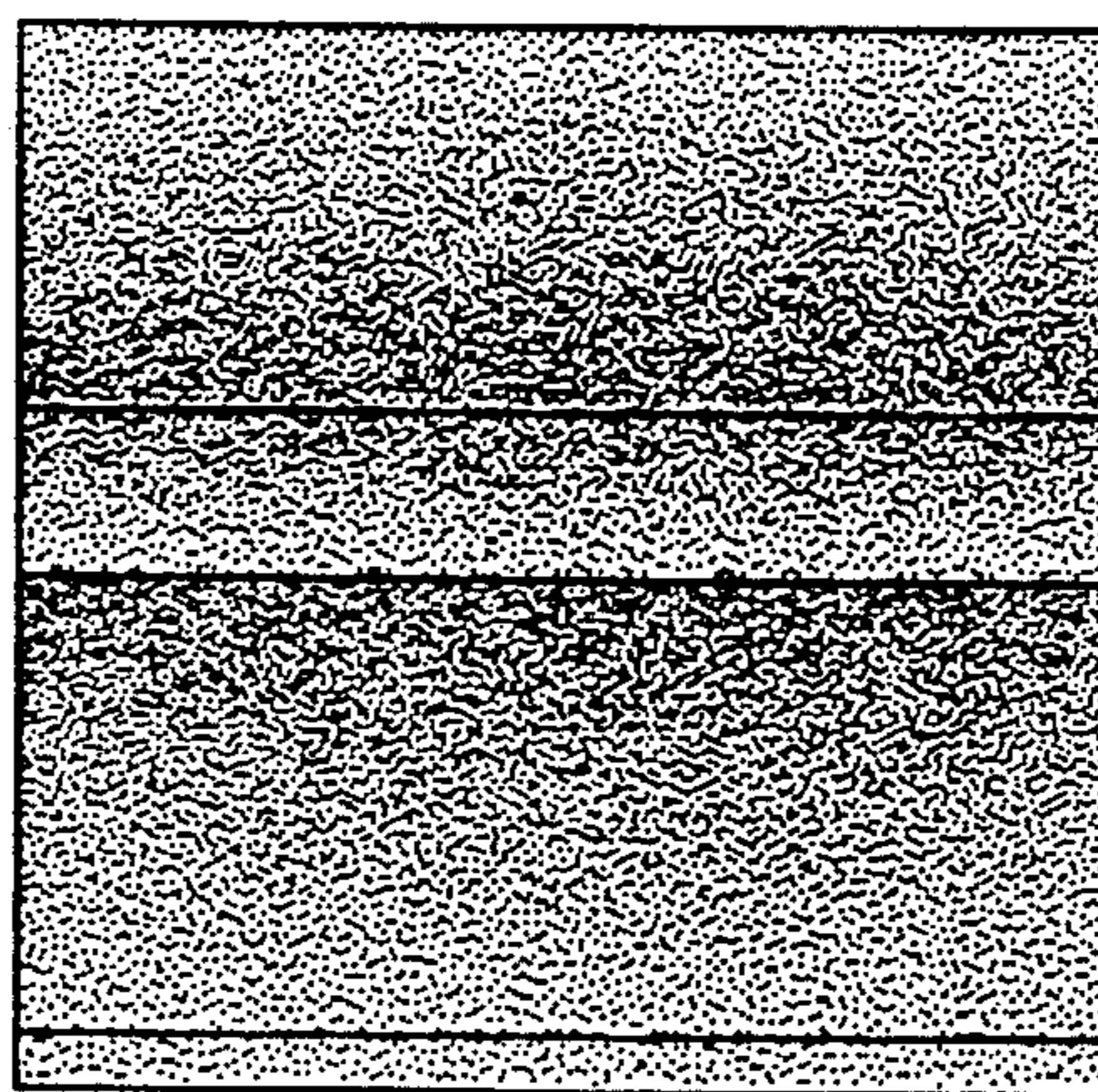


FIG. 6