



US00D347443S

# United States Patent [19]

[11] Patent Number: **Des. 347,443**

**Tago**

[45] Date of Patent: **\*\* May 31, 1994**

[54] **CAMERA**

[75] Inventor: **Takahiro Tago**, Yokohama, Japan  
 [73] Assignee: **Ricoh Company, Ltd.**, Tokyo, Japan  
 [\*\*] Term: **14 Years**  
 [21] Appl. No.: **893,359**  
 [22] Filed: **Jun. 5, 1992**

[30] **Foreign Application Priority Data**  
 Dec. 6, 1991 [JP] Japan ..... 036,808/1991  
 [52] U.S. Cl. .... **D16/209**  
 [58] Field of Search ..... 354/126, 149.11, 127.11,  
 354/187, 202, 288; D16/200, 201, 208, 209,  
 216-218

[56] **References Cited**  
**U.S. PATENT DOCUMENTS**  
 D. 313,423 1/1991 Onuma et al. .... D16/209  
 D. 317,772 6/1991 Kobayashi et al. .... D16/209  
 D. 319,452 8/1991 Shiiba ..... D16/209  
 D. 326,466 5/1992 Yu ..... D16/209  
 4,887,109 12/1989 Fujita et al. .... 354/195.12

### OTHER PUBLICATIONS

Popular Photography, May 1988, p. 38 (Olympus Camera).  
 Modern Photography, May 1988, p. 41 (Vivitar 300 Z).  
 Evans Catalog, 1988-1989, p. 3074 (Canon Multi Tele Camera, Item 4).

*Primary Examiner*—Bernard Ansher  
*Assistant Examiner*—Adir Aronovich  
*Attorney, Agent, or Firm*—Oblon, Spivak, McClelland, Maier & Neustadt

[57] **CLAIM**

The ornamental design for camera, as shown and claimed.

### DESCRIPTION

FIG. 1 is a top, front, and right side perspective view of a camera showing my new design;  
 FIG. 2 is a front elevational view thereof;  
 FIG. 3 is a rear elevational view thereof;  
 FIG. 4 is a top plan view thereof;  
 FIG. 5 is a bottom plan view thereof;  
 FIG. 6 is a left side elevational view thereof; and,  
 FIG. 7 is a right side elevational view thereof.

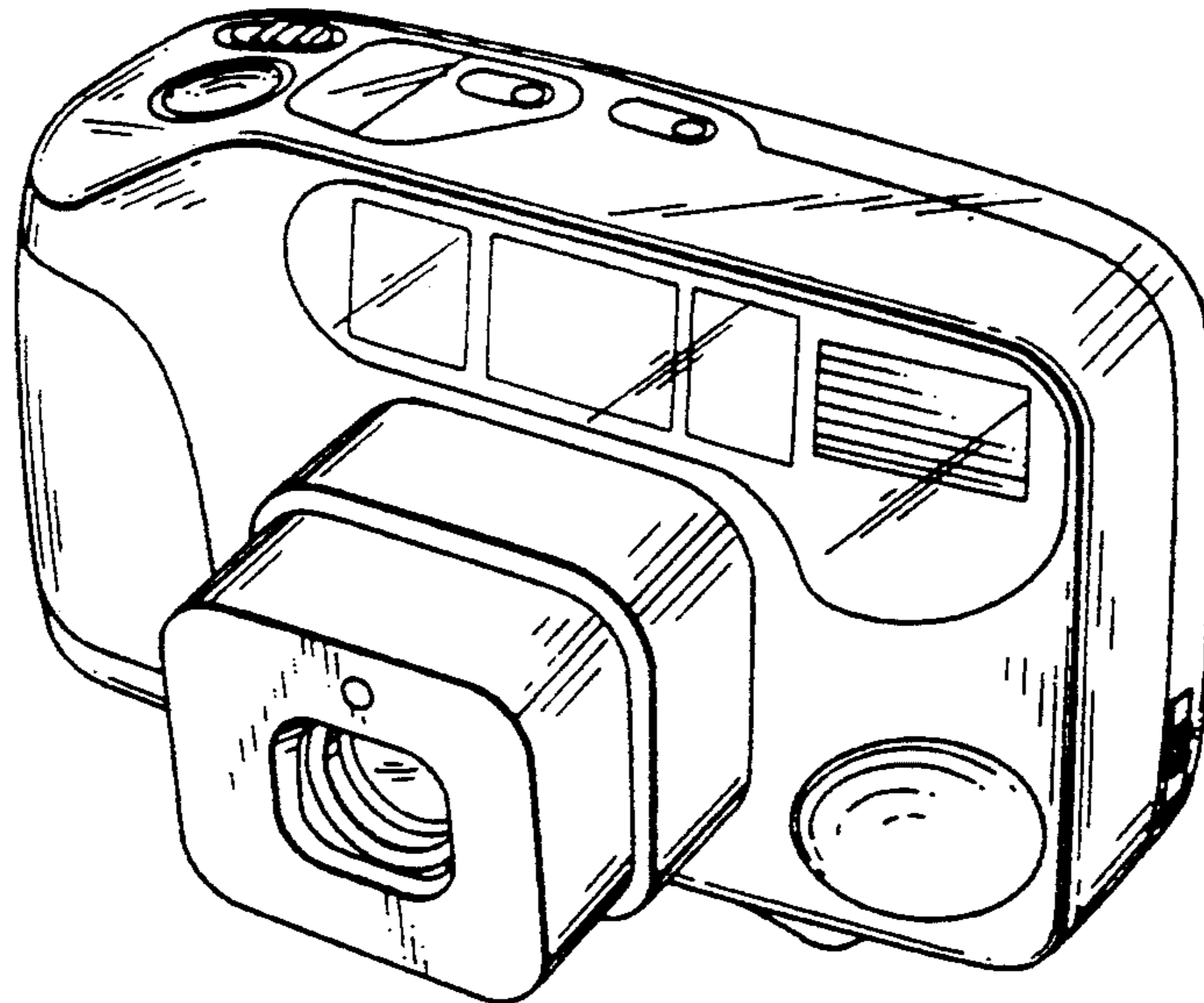


FIG. 1

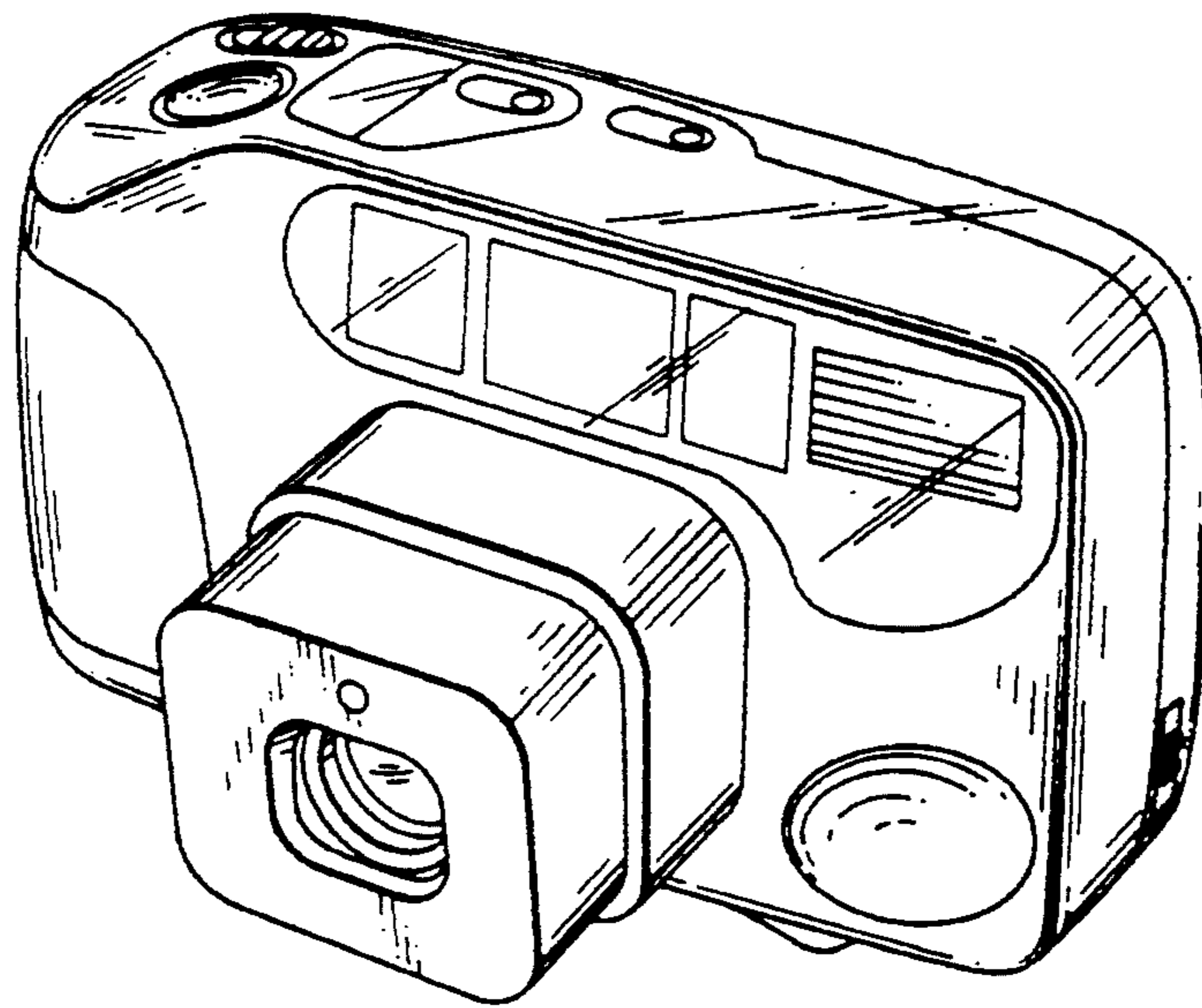


FIG. 2

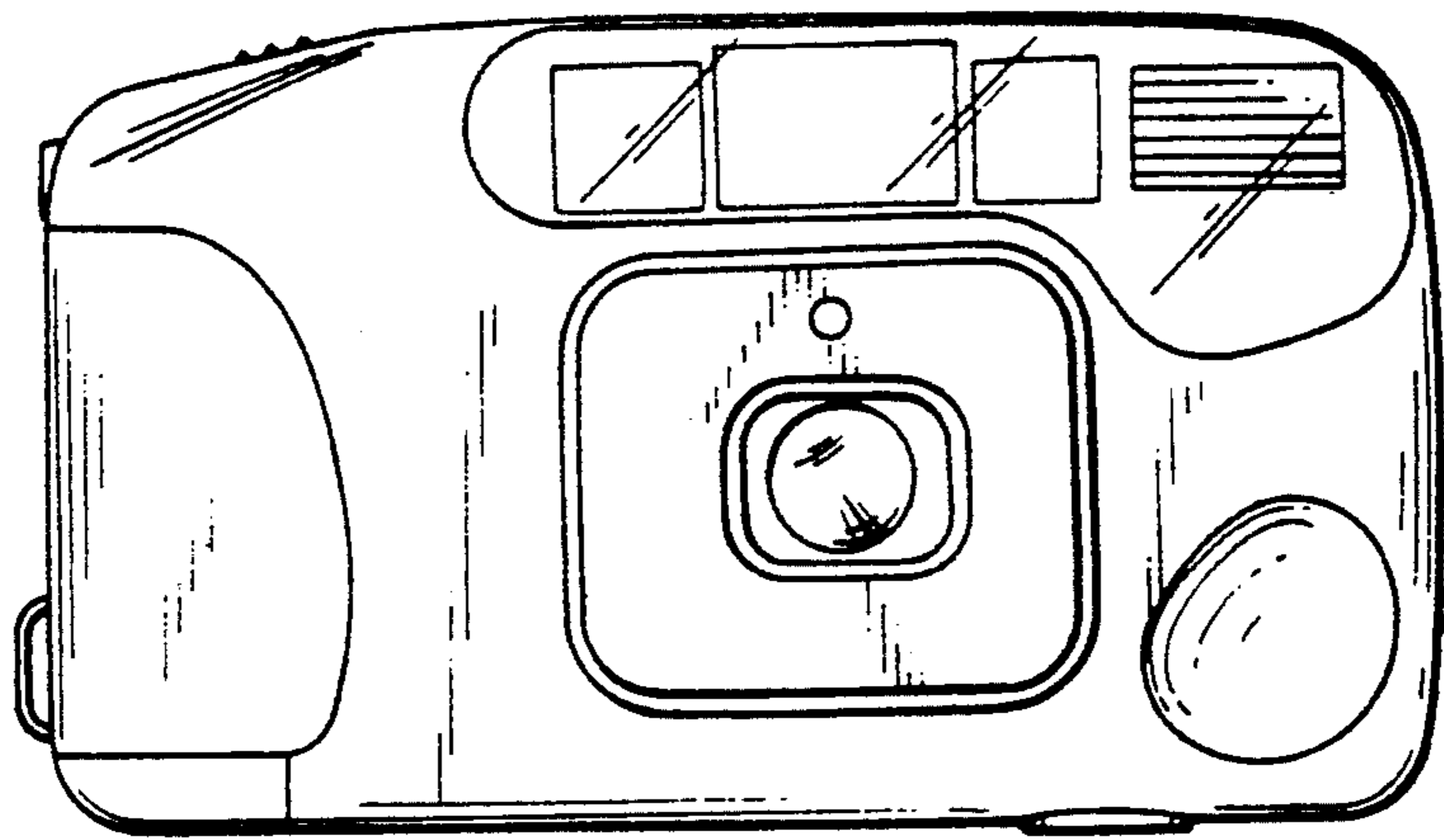


FIG. 3

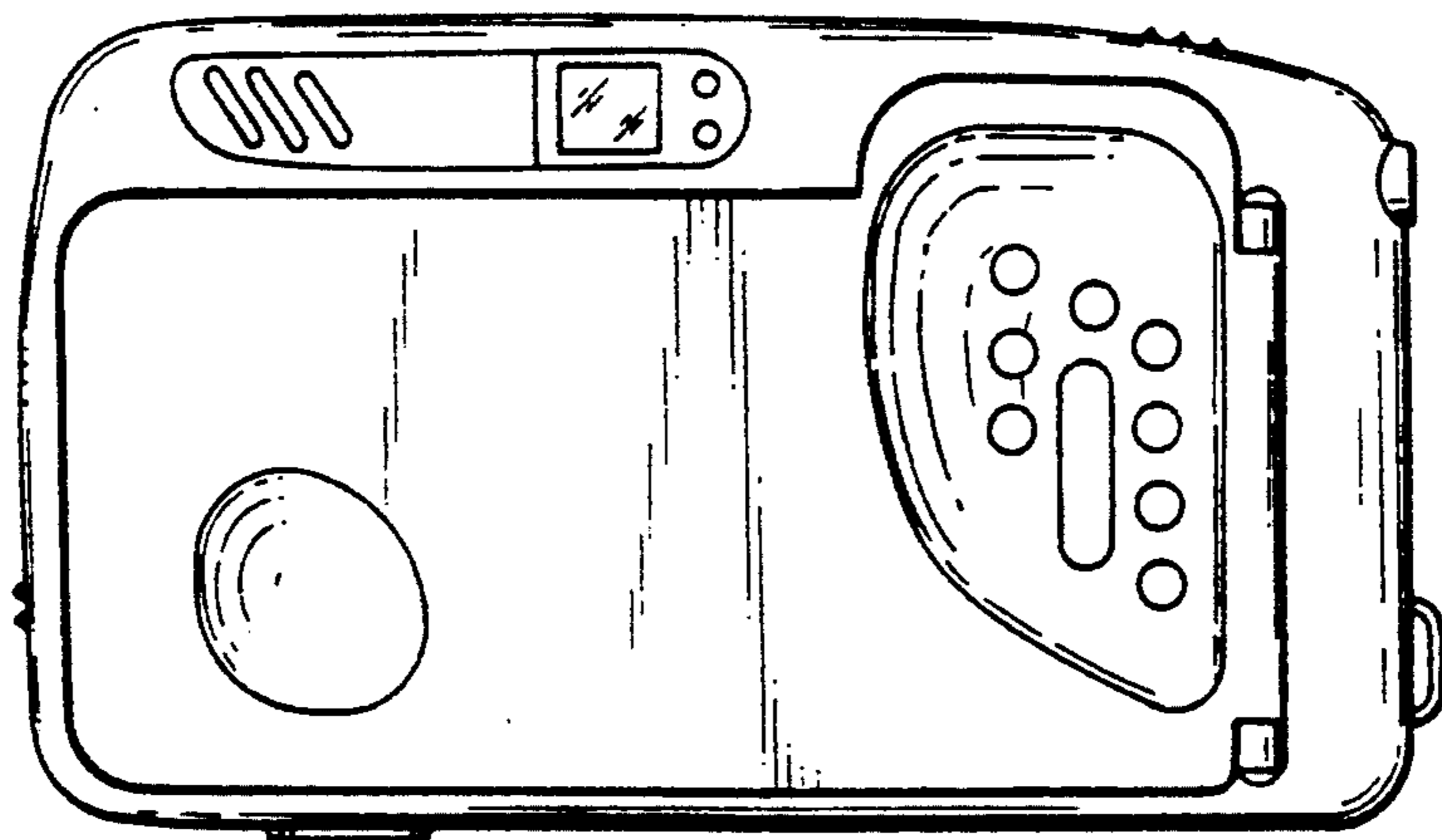


FIG. 4

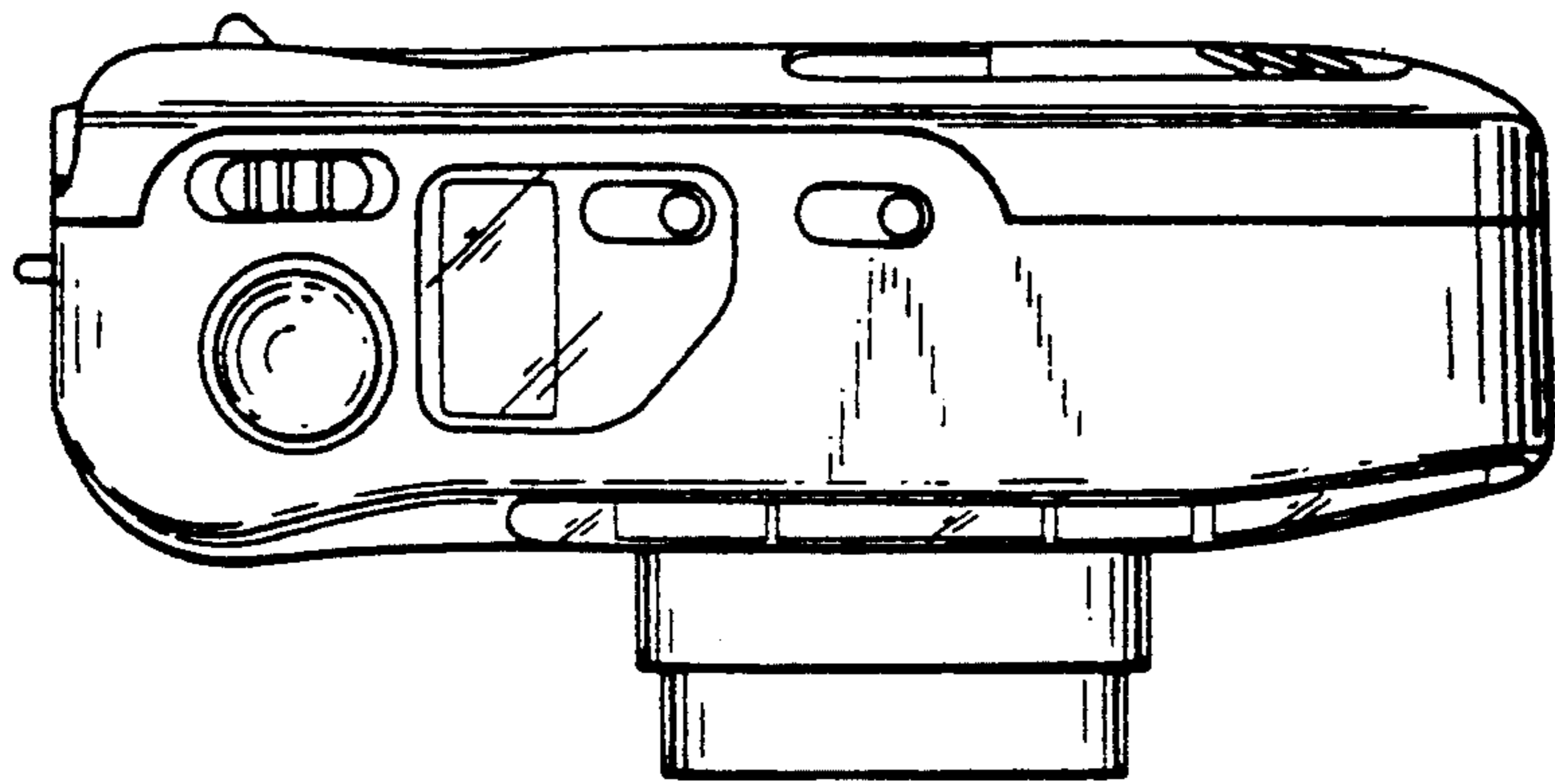


FIG. 5

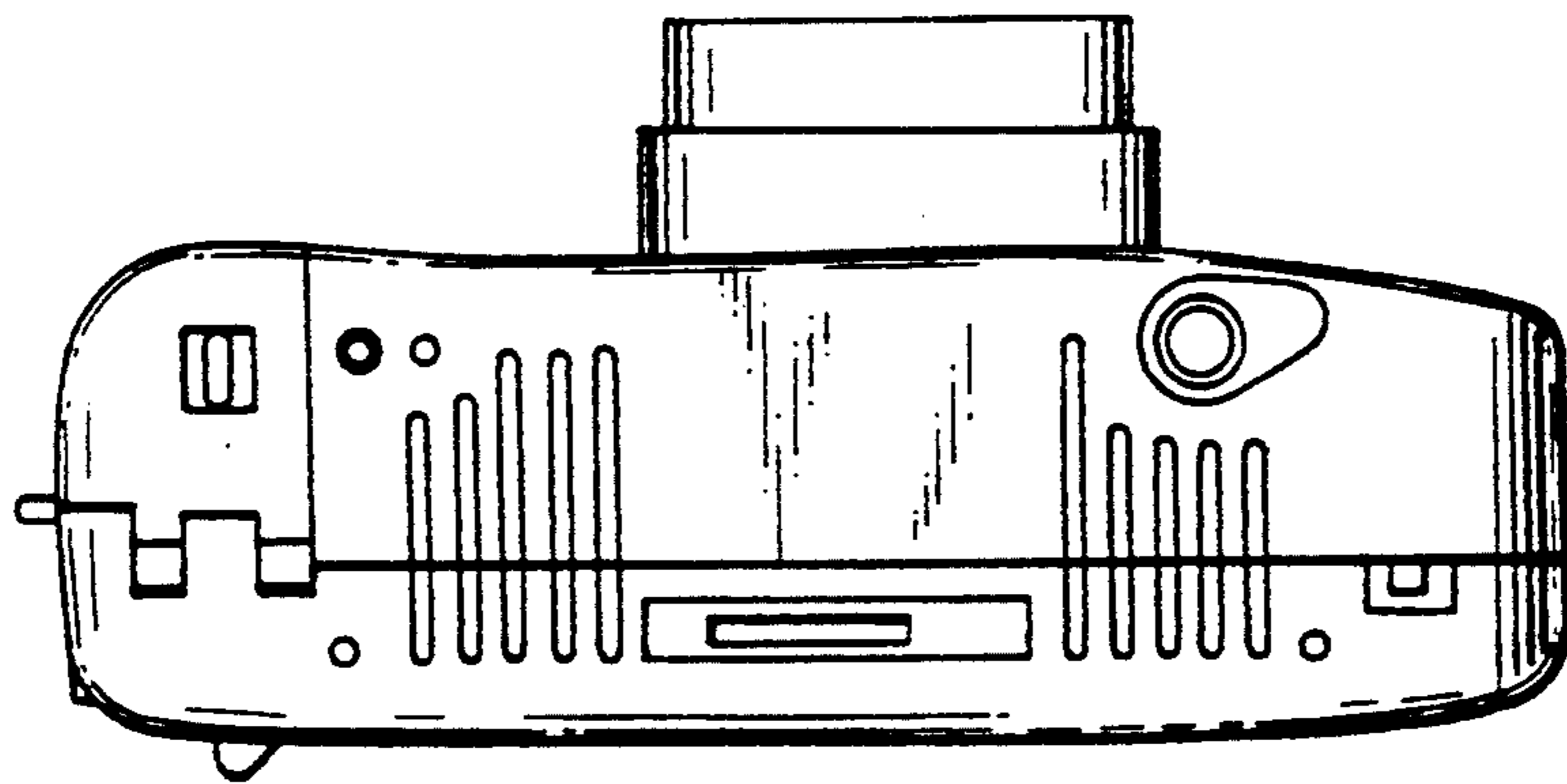


FIG. 6

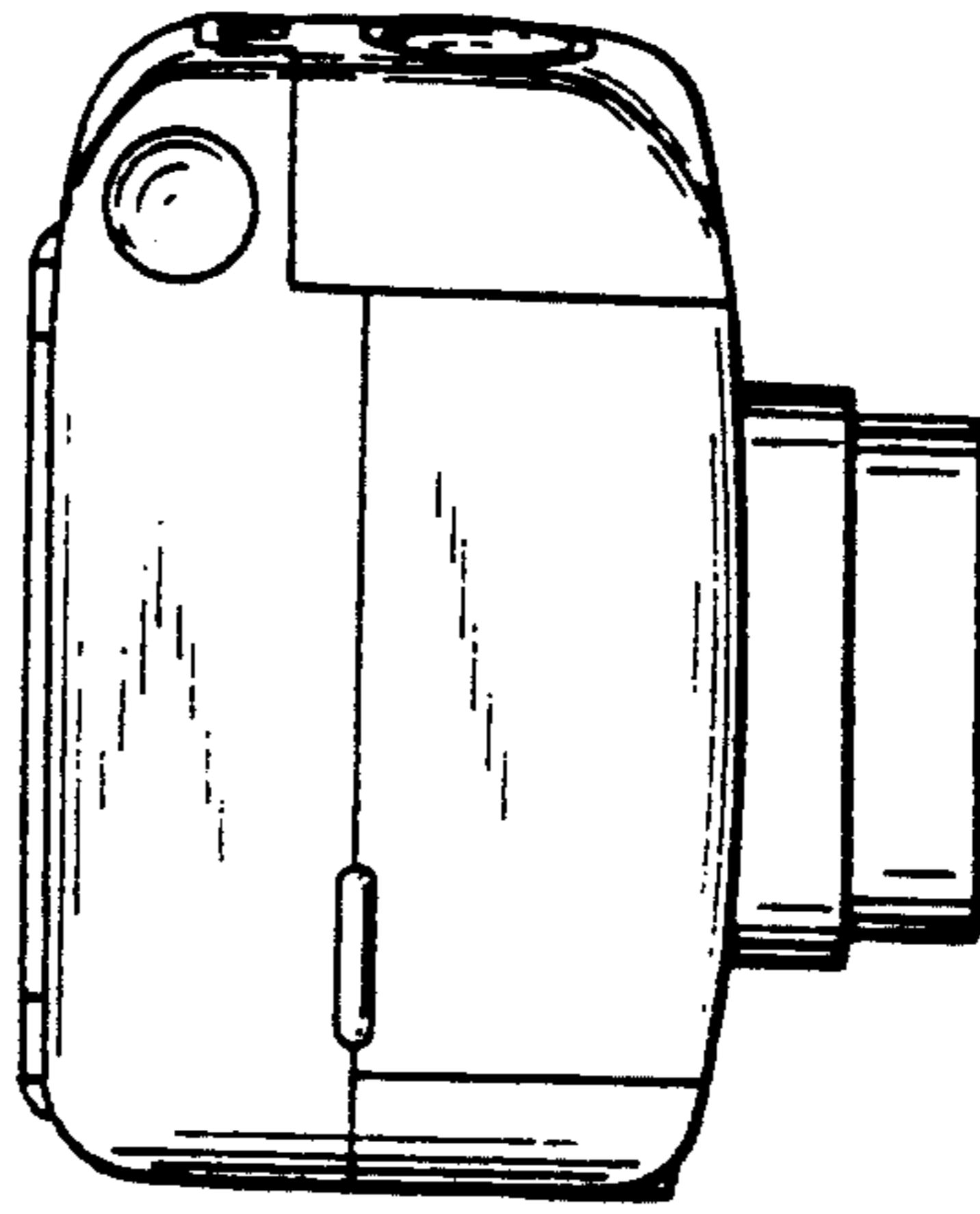


FIG. 7

