



US00D347442S

# United States Patent [19]

[11] Patent Number: **Des. 347,442**

Falconer

[45] Date of Patent: **\*\* May 31, 1994**

[54] **COMBINED IMITATION SURVEILLANCE CAMERA AND SUPPORT THEREFOR**

4,833,534	5/1989	Paff	358/108
4,855,823	8/1989	Struhs	358/108
4,963,962	10/1990	Kruegle	358/108

[76] Inventor: **Leonard S. Falconer**, 5149 W. 136th St., Hawthorne, Calif. 90250

*Primary Examiner*—Melvin B. Feifer  
*Assistant Examiner*—Adir Aronovich  
*Attorney, Agent, or Firm*—Terry M. Gernstein

[\*\*] Term: **14 Years**

[21] Appl. No.: **1,211**

[57] **CLAIM**

[22] Filed: **Nov. 6, 1992**

The ornamental design for a combined imitation surveillance camera and support therefor, as shown and described.

[52] U.S. Cl. .... **D16/203; D16/205**

[58] Field of Search ..... 352/242, 243; 354/288, 354/75, 76, 81; 358/108, 229; D16/200, 201, 202-205

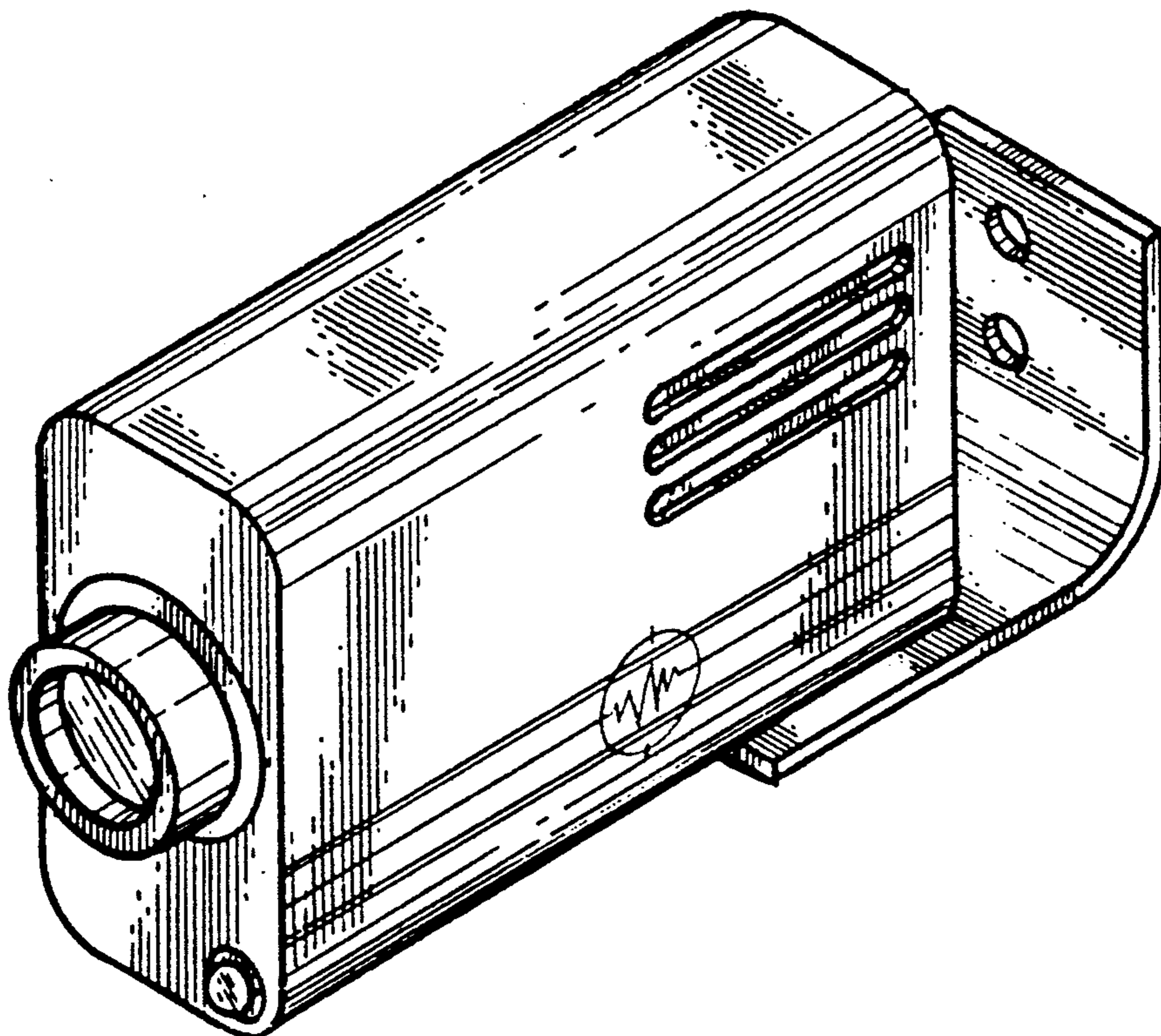
**DESCRIPTION**

[56] **References Cited**

**U.S. PATENT DOCUMENTS**

D. 191,240	8/1961	Keznickl	D16/205
D. 201,527	6/1965	Kubnick	D16/205
D. 203,233	12/1965	Olson	D16/205
D. 311,924	11/1990	Loyd et al.	D16/203
3,613,538	10/1971	Horberg, Jr.	358/108
4,499,504	2/1985	Edakubo et al.	358/335

FIG. 1 is a front, top and side perspective view of the combined imitation surveillance camera and support therefor showing my new design; FIG. 2 is a front elevational view thereof; FIG. 3 is a rear elevational view thereof; FIG. 4 is a side elevational view thereof, the side opposite being a mirror image of the side shown in FIG. 4; FIG. 5 is a top plan view thereof; and, FIG. 6 is a bottom plan view thereof.



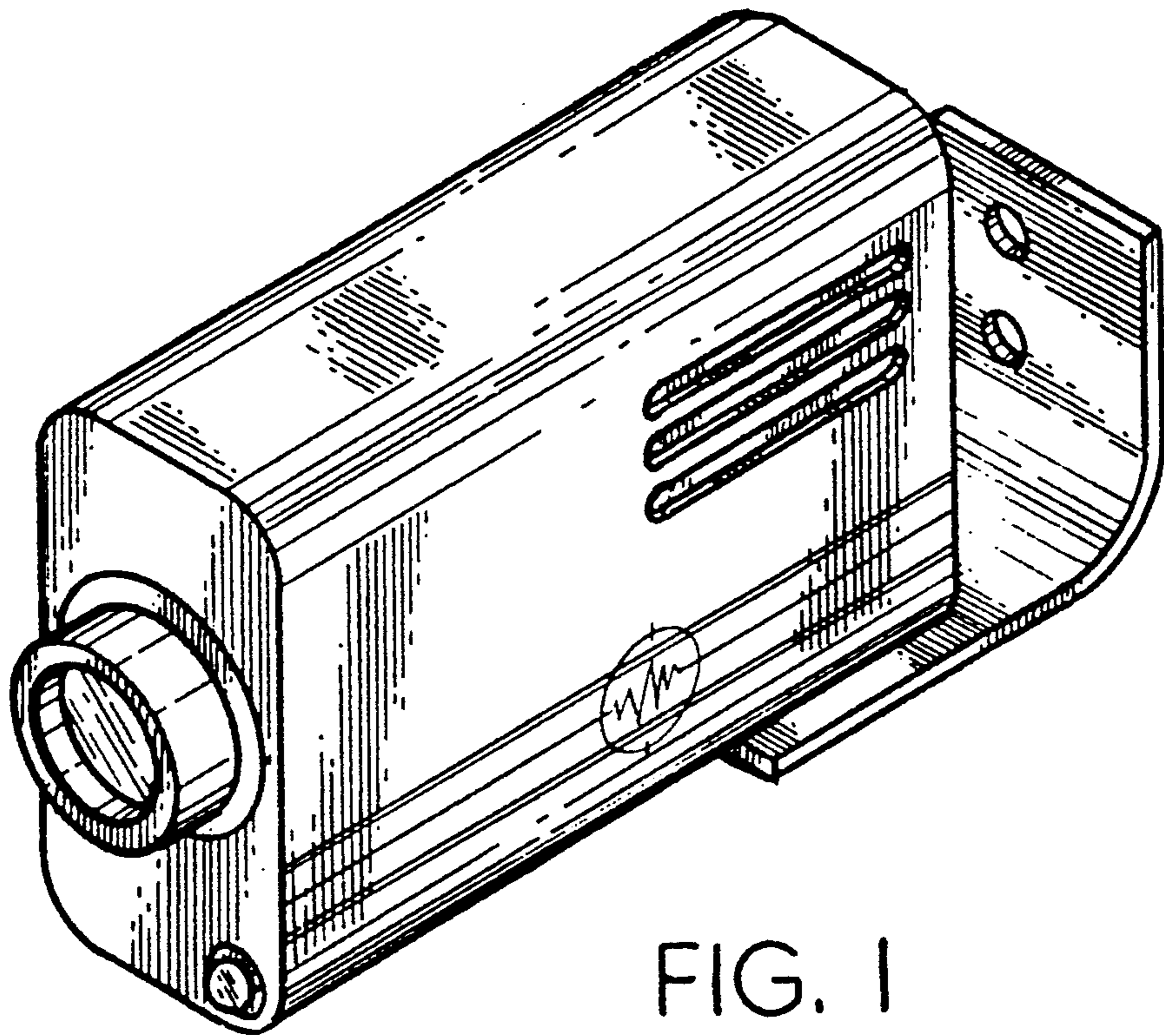


FIG. 1

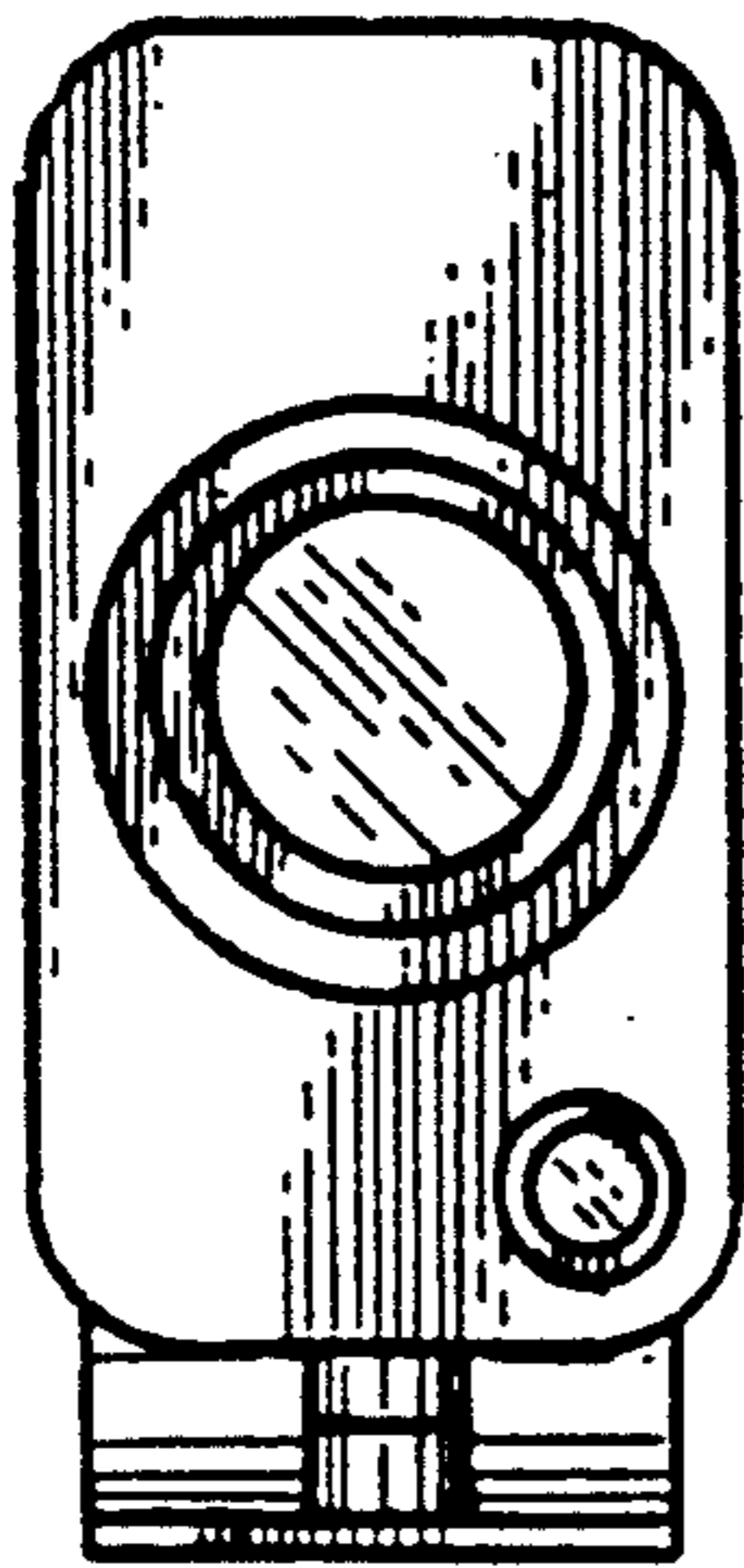


FIG. 2

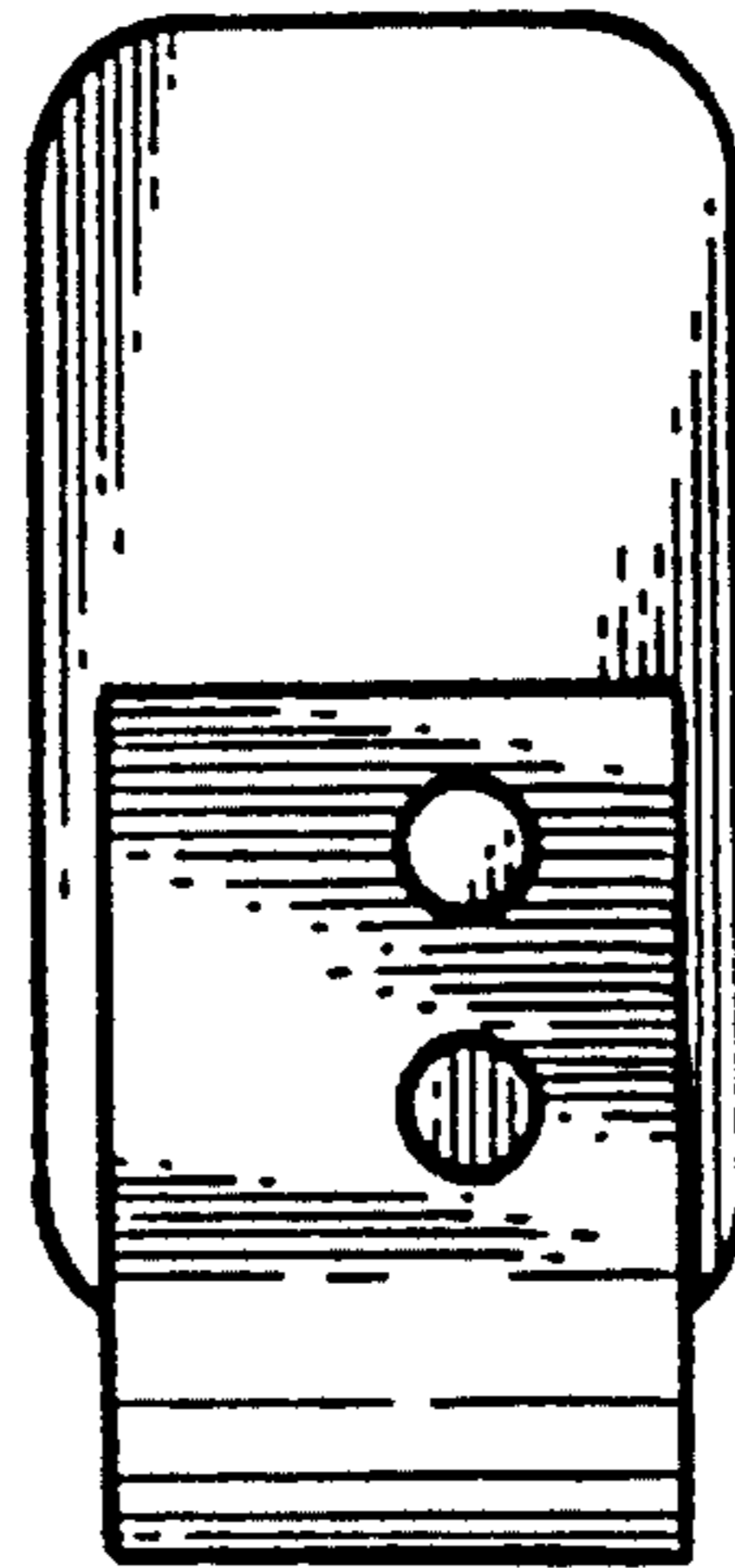


FIG. 3

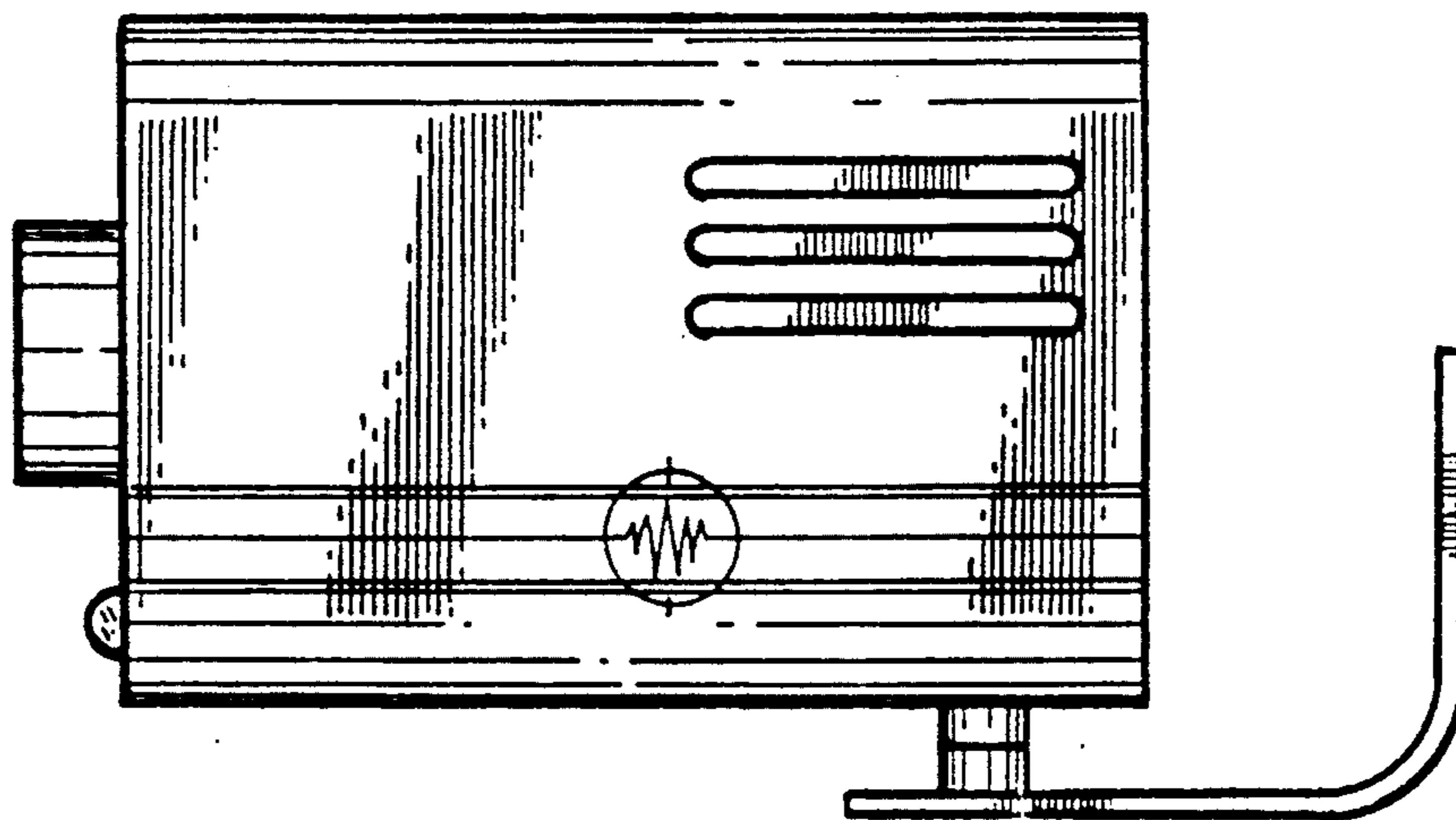


FIG. 4



FIG. 5



FIG. 6