



US00D347441S

# United States Patent [19]

[11] Patent Number: **Des. 347,441**

Lutter et al.

[45] Date of Patent: **\*\* May 31, 1994**

[54] **OPTICAL TELESCOPE**

[75] Inventors: **Hart D. Lutter**, Lake Oswego; **Neil T. Mai**, Beaverton; **Forrest D. Babcock**, Banks; **Allen D. Tucker**, Portland, all of Oreg.

[73] Assignee: **Leupold & Stevens, Inc.**, Beaverton, Oreg.

[\*\*] Term: **14 Years**

[21] Appl. No.: **1,645**

[22] Filed: **Nov. 18, 1992**

[52] U.S. Cl. .... **D16/132**

[58] Field of Search ..... 359/399, 401, 569, 567, 359/564, 562, 563, 565, 566; **D16/132**

[56] **References Cited**

**U.S. PATENT DOCUMENTS**

D. 123,486	11/1940	Miles	.....	D16/132
D. 148,017	12/1947	Flint	.....	D16/132
D. 202,526	10/1965	Maguire	.....	D16/132
D. 215,355	9/1969	Weatherby et al.	.....	D16/132
D. 219,623	12/1970	Bushnell	.....	D16/132
D. 272,916	3/1984	Tomatsuri et al.	.....	D16/132
D. 285,698	9/1986	Ogasawara	.....	D16/132
D. 288,210	2/1987	Mise	.....	D16/132

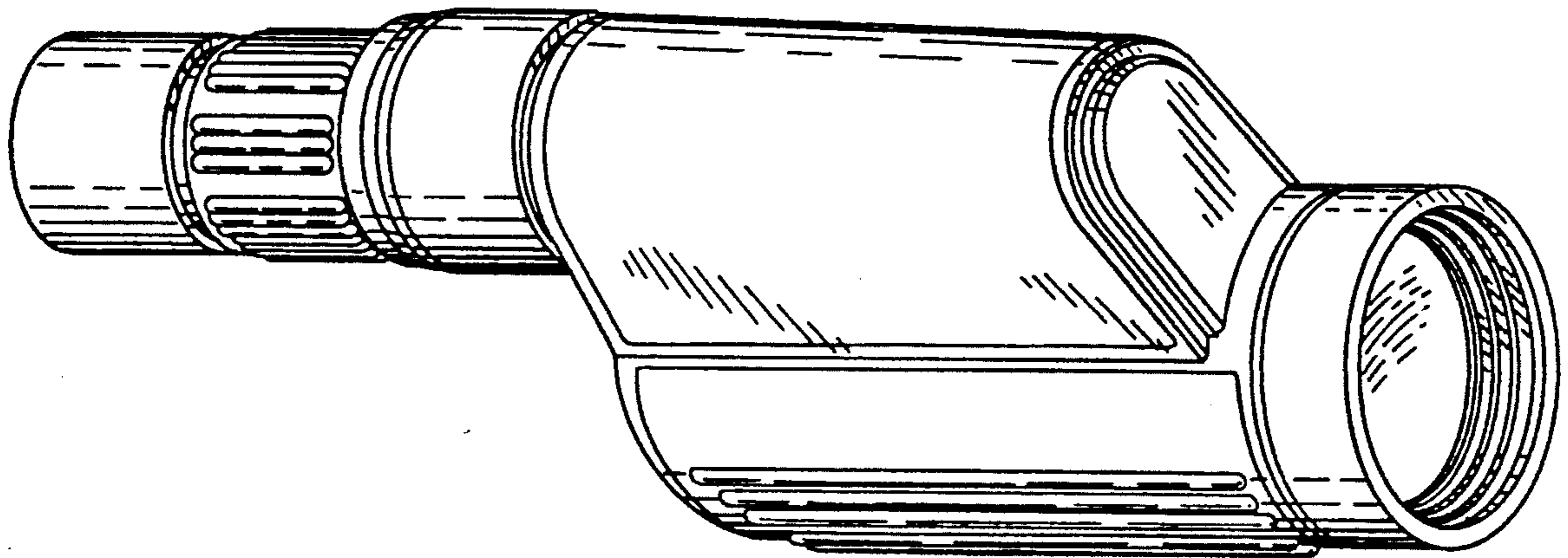
*Primary Examiner*—A. Hugo Word  
*Assistant Examiner*—Doris V. Coles  
*Attorney, Agent, or Firm*—Stoel Rives Boley Jones & Grey

[57] **CLAIM**

The ornamental design for an optical telescope, as shown and described.

**DESCRIPTION**

FIG. 1 is a top, front, left side isometric view of a first embodiment of an optical telescope;  
FIG. 2 is a top, rear, right side view thereof;  
FIG. 3 is a right side elevational view thereof;  
FIG. 4 is a bottom plan view thereof;  
FIG. 5 is a top plan view thereof;  
FIG. 6 is a rear elevational view thereof;  
FIG. 7 is a front elevational view thereof;  
FIG. 8 is a top, front, left side isometric view of a second embodiment of an optical telescope;  
FIG. 9 is a top, rear, right side view thereof;  
FIG. 10 is a right side elevational view thereof;  
FIG. 11 is a bottom plan view thereof;  
FIG. 12 is a top plan view thereof;  
FIG. 13 is a rear elevational view thereof; and,  
FIG. 14 is a front elevational view thereof.



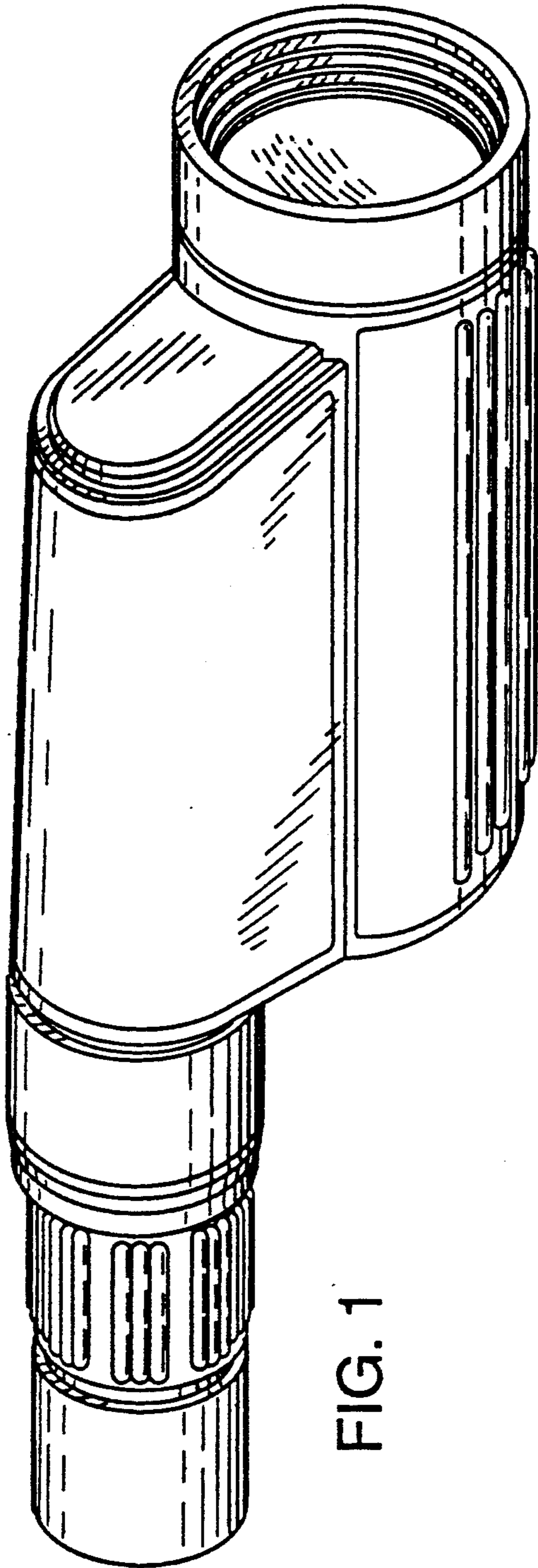


FIG. 1

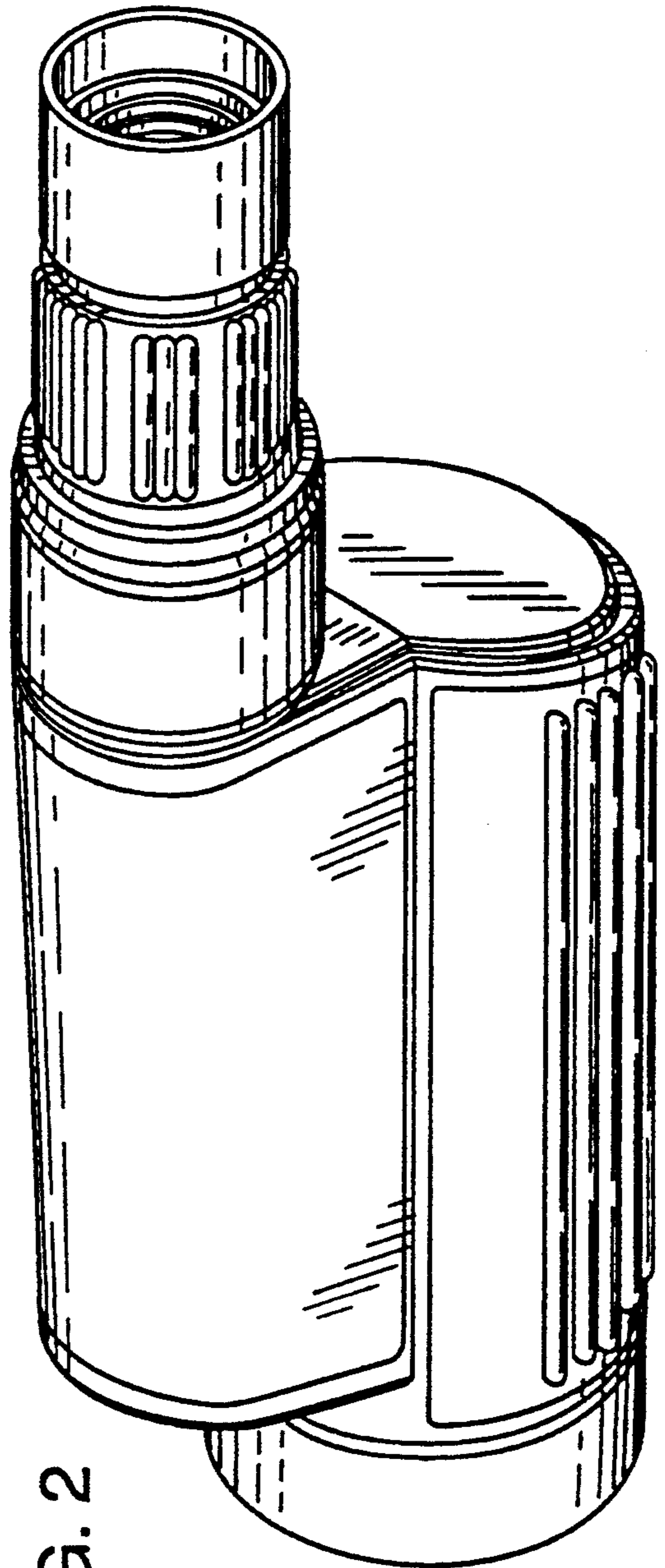


FIG. 2

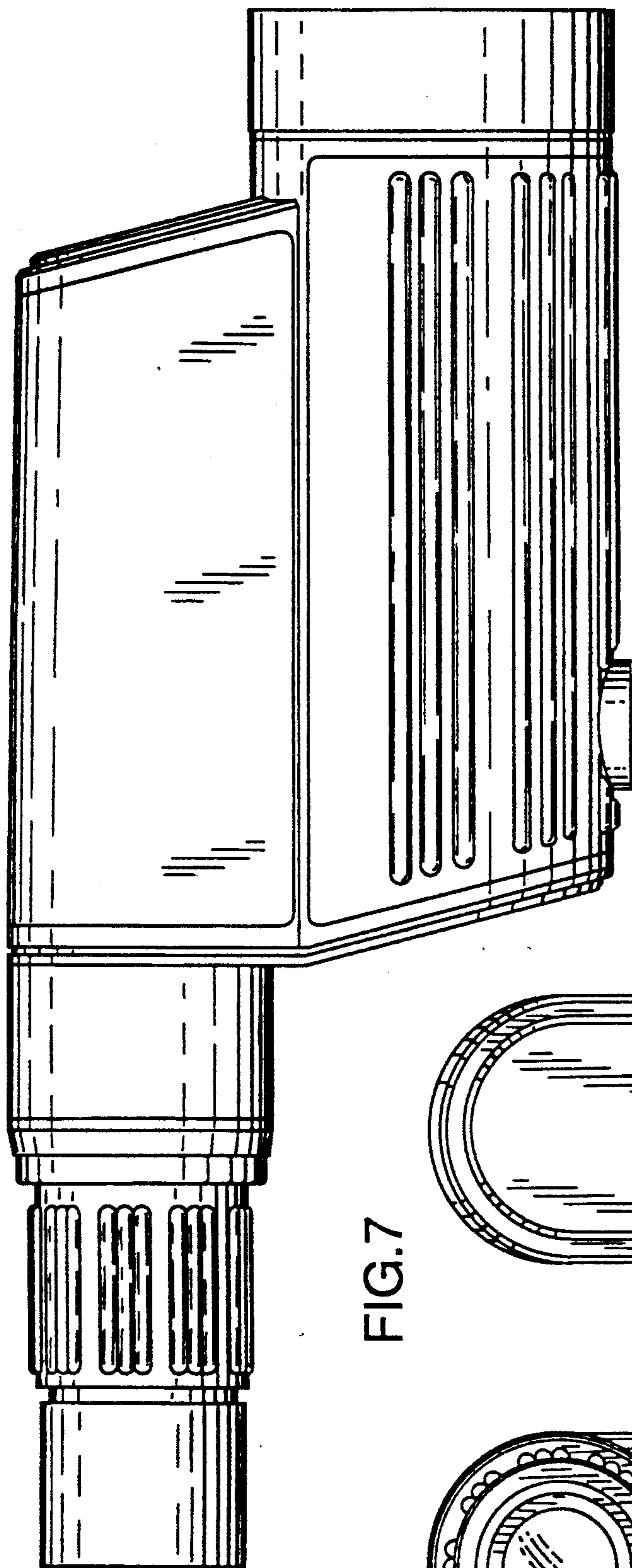


FIG. 3

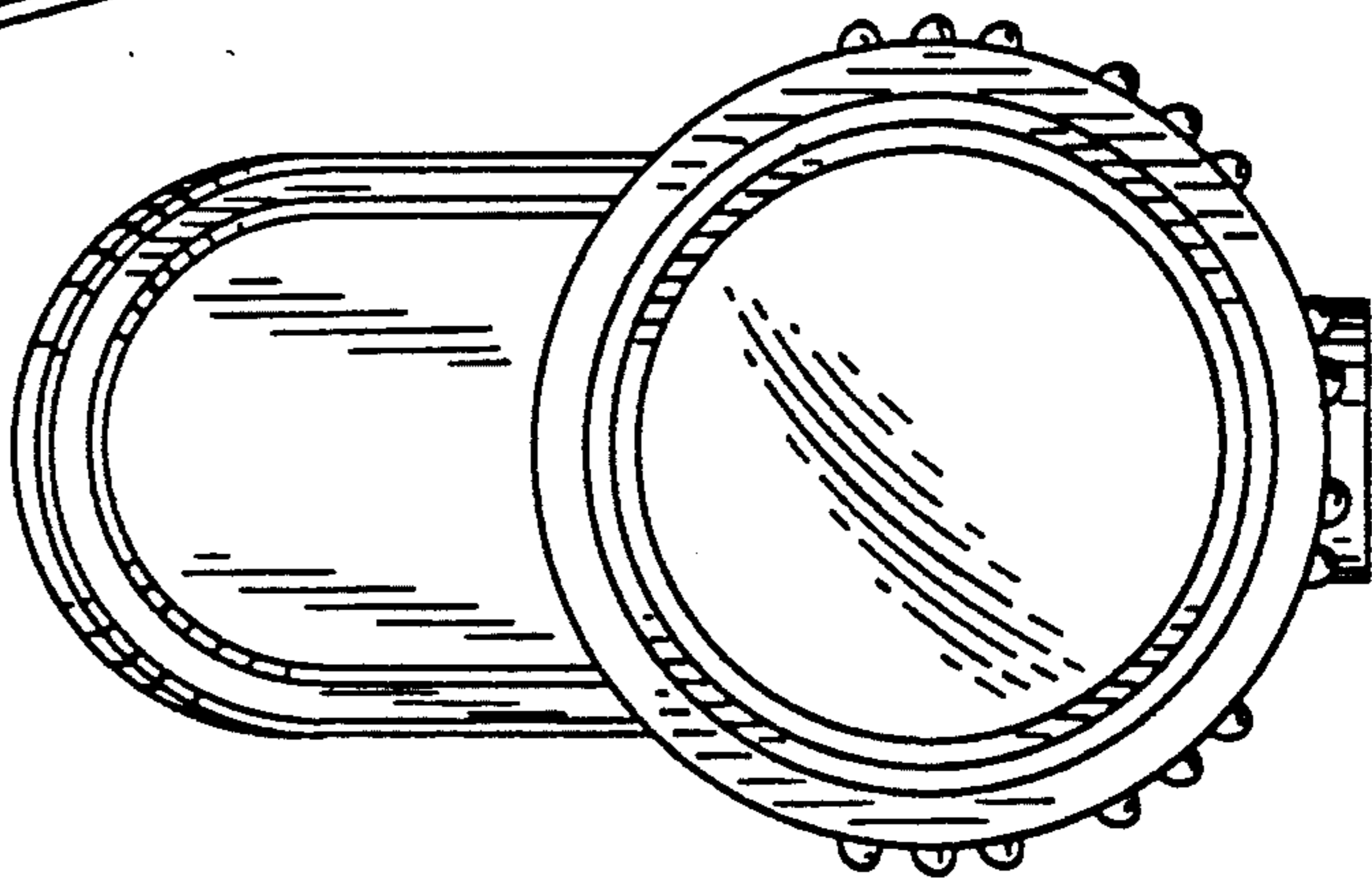


FIG. 7

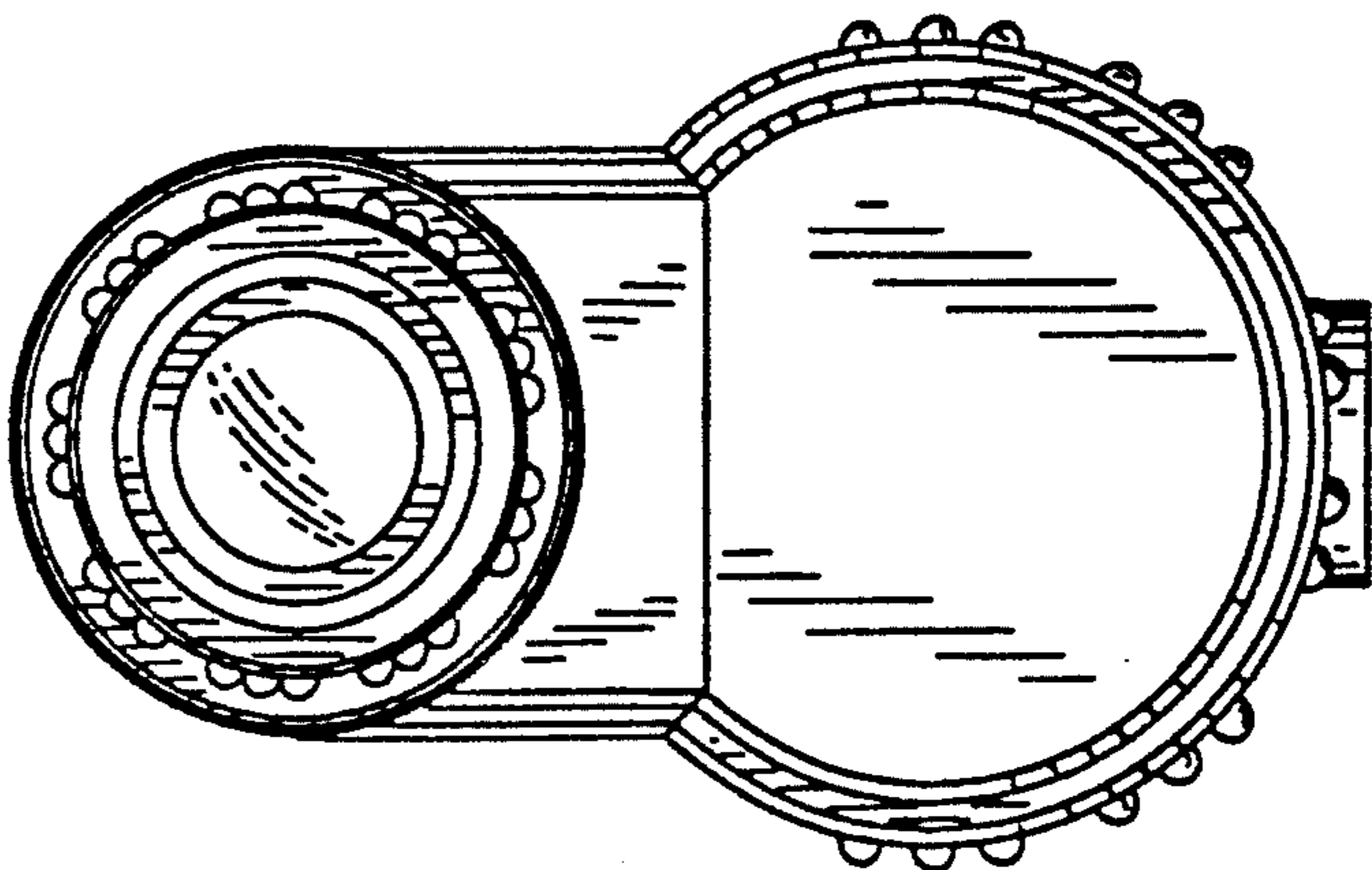


FIG. 6



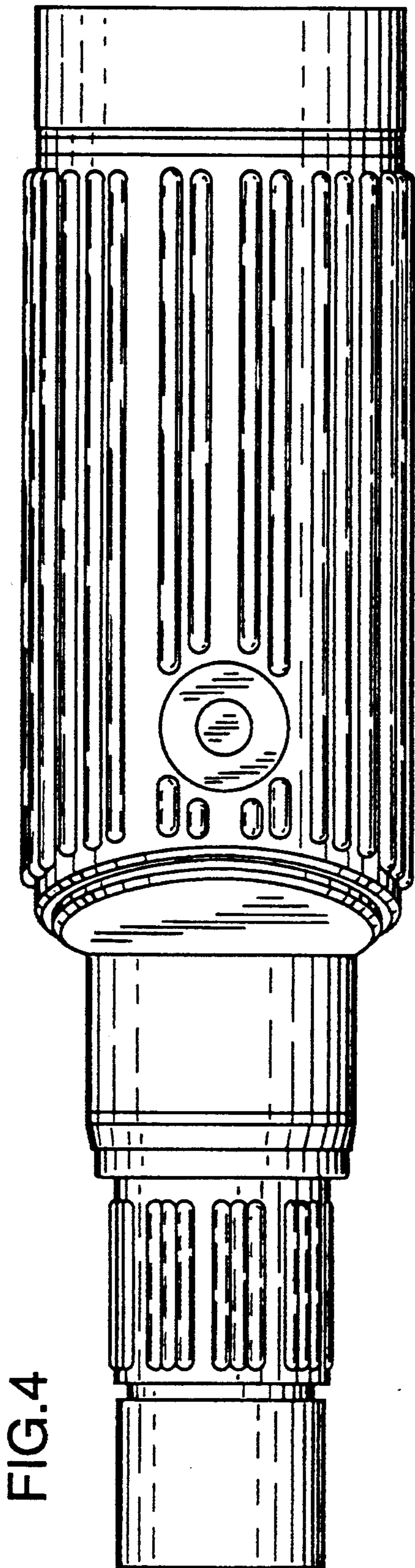


FIG. 4

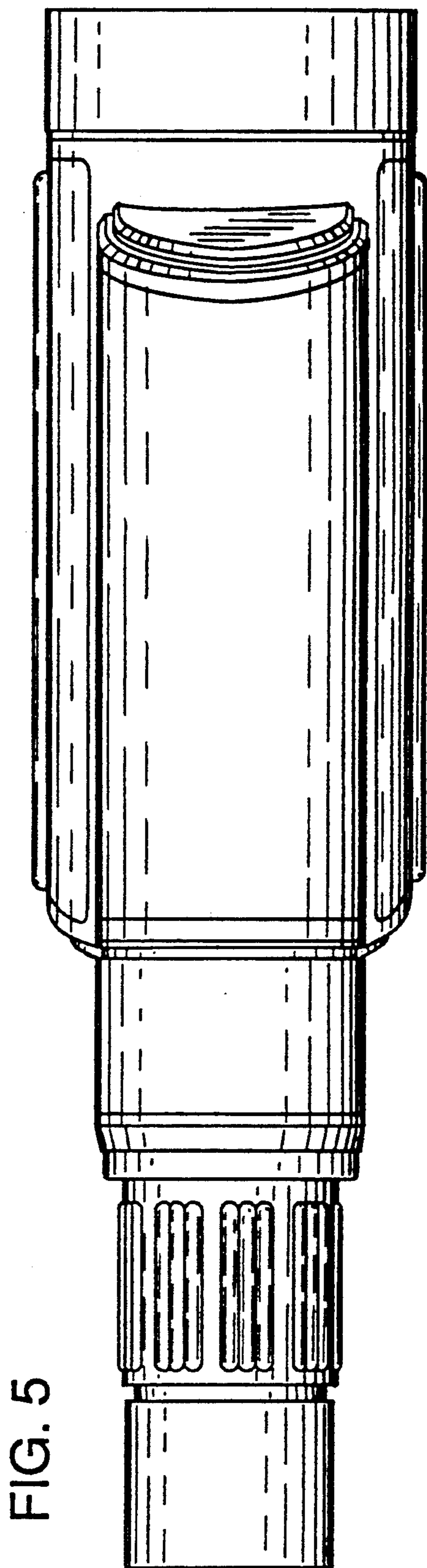


FIG. 5

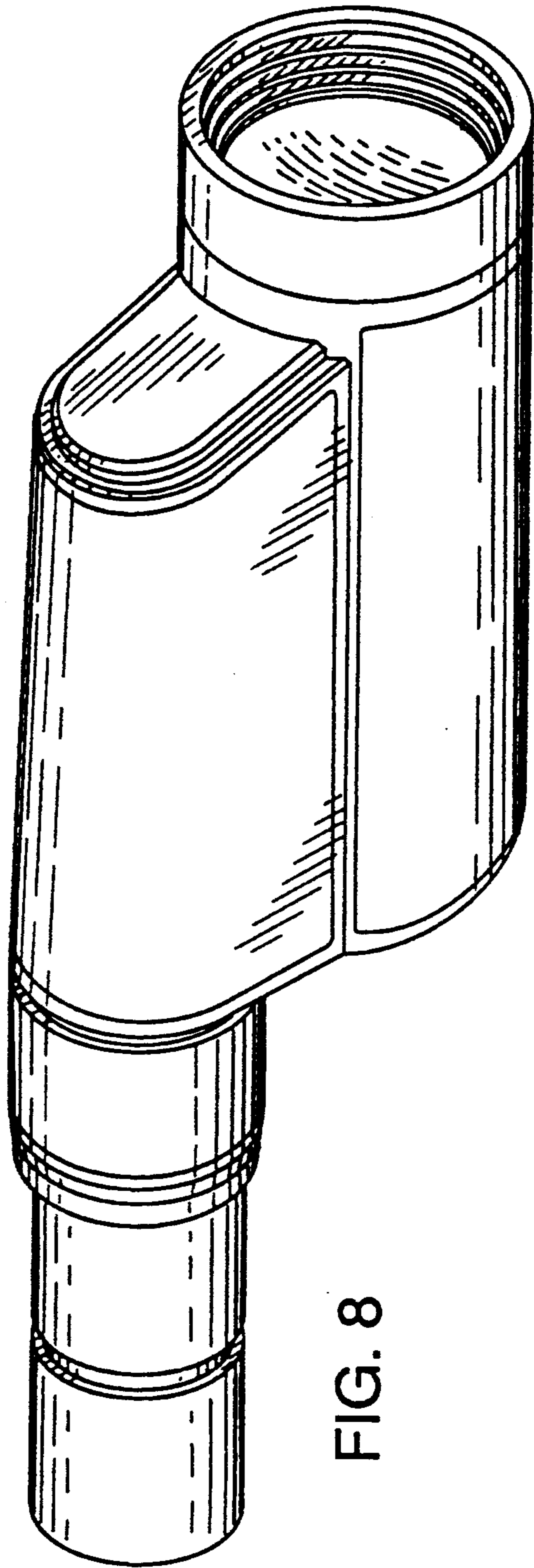


FIG. 8

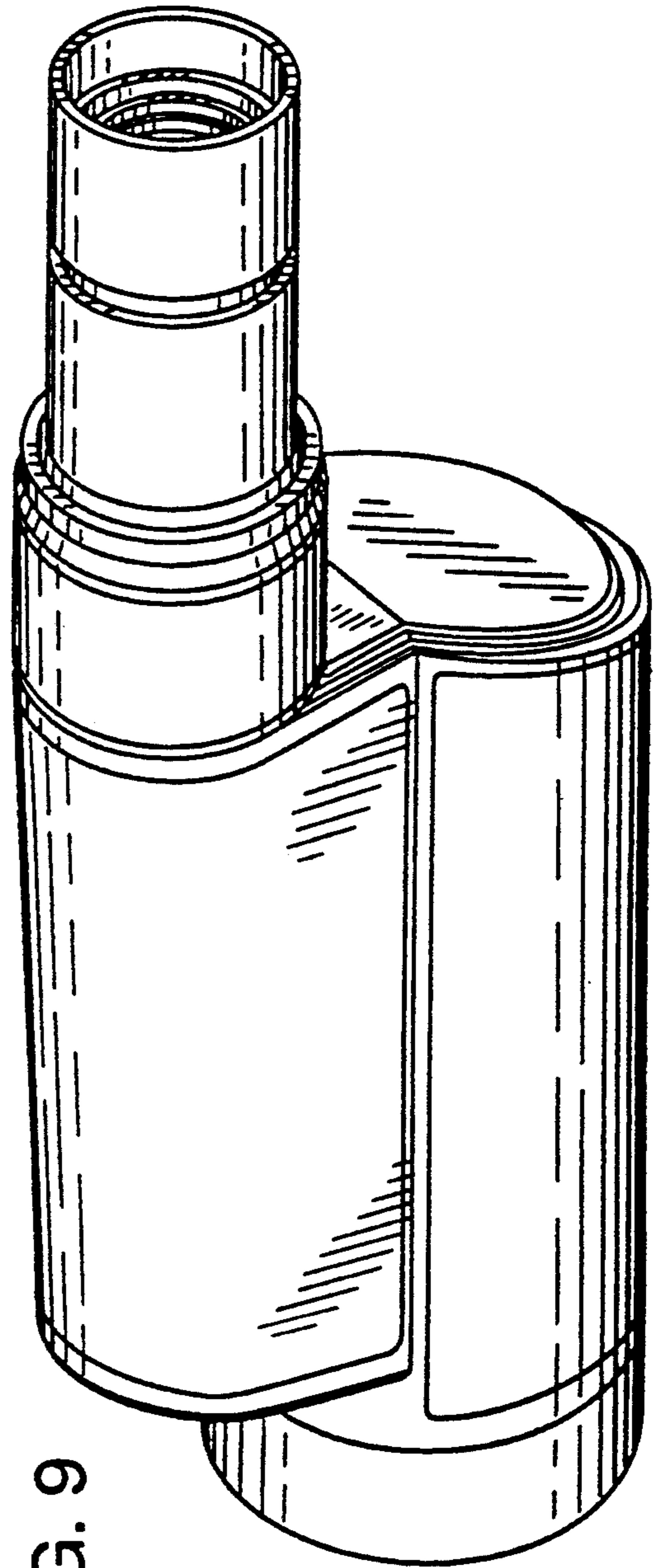


FIG. 9

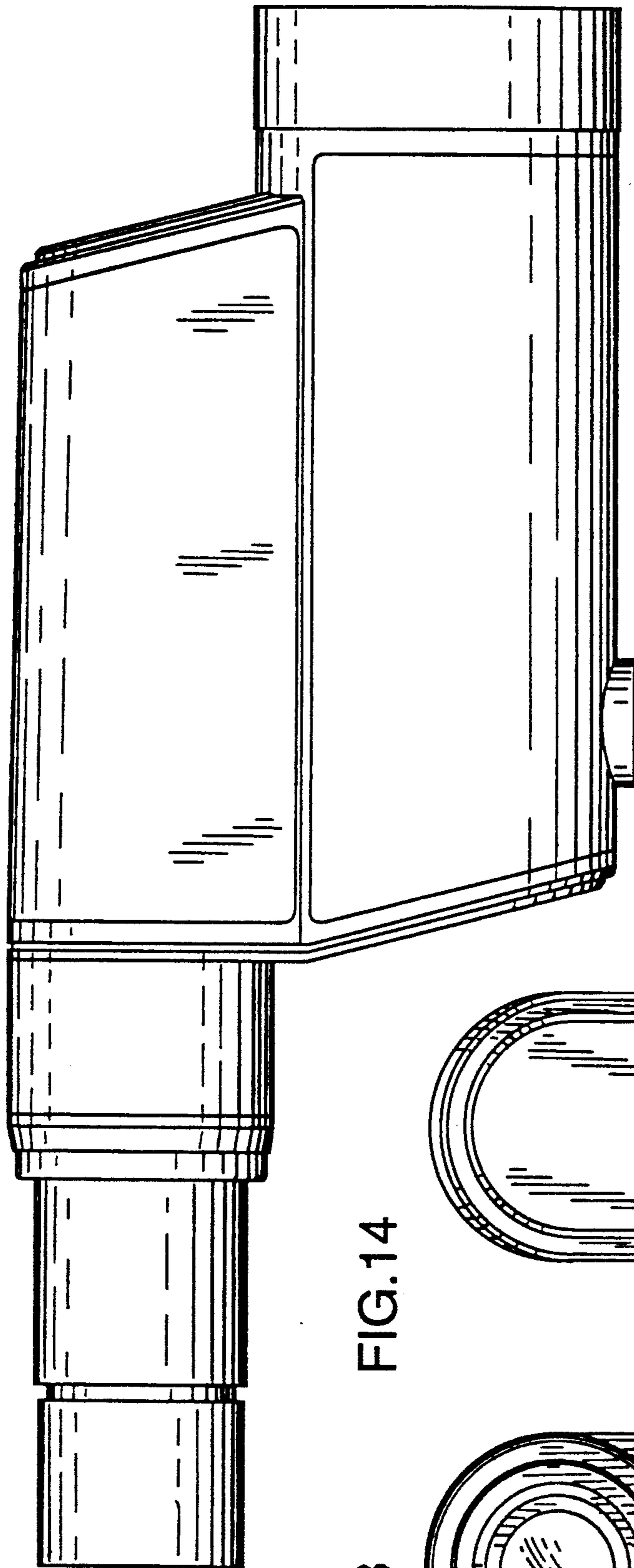


FIG. 10

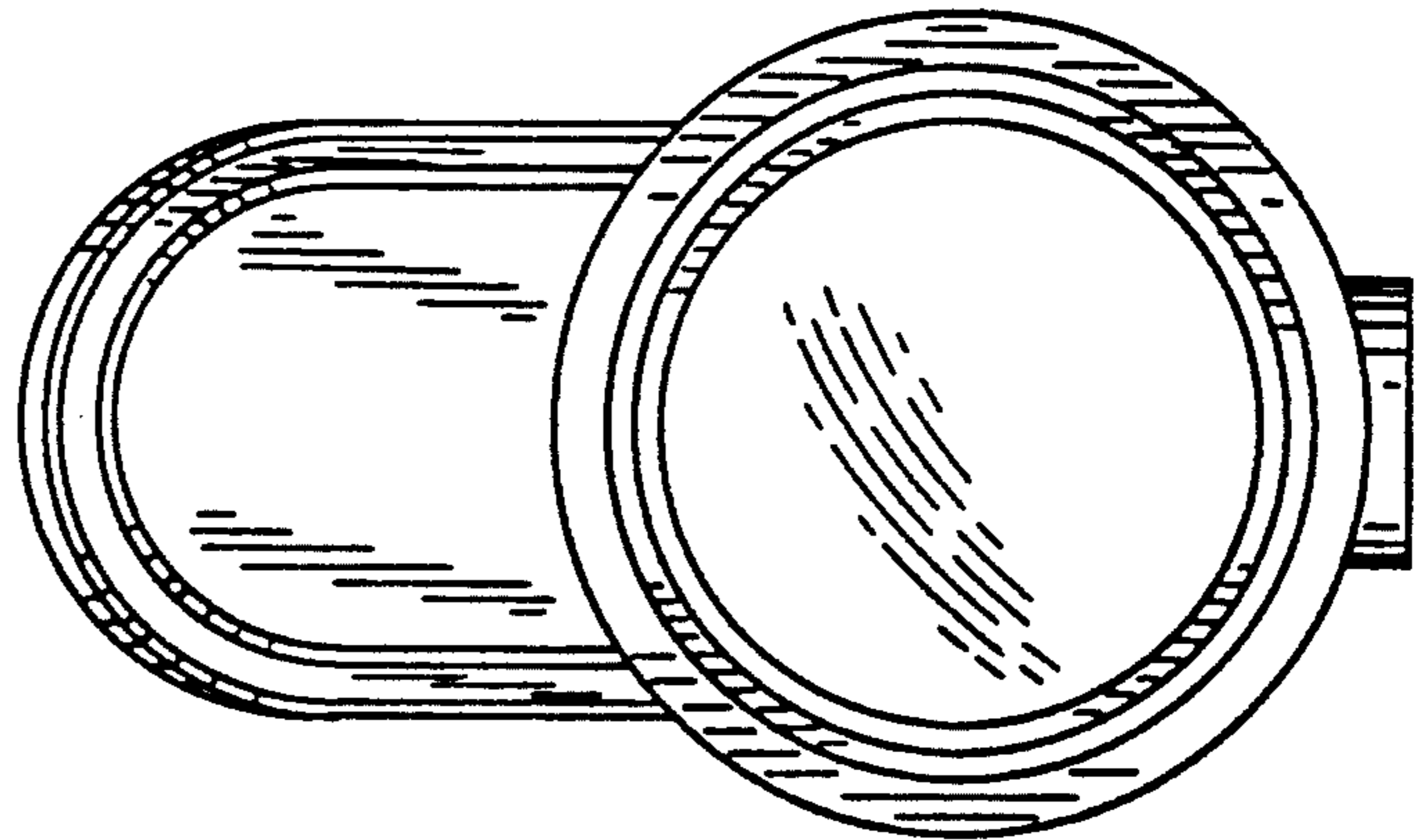


FIG. 13

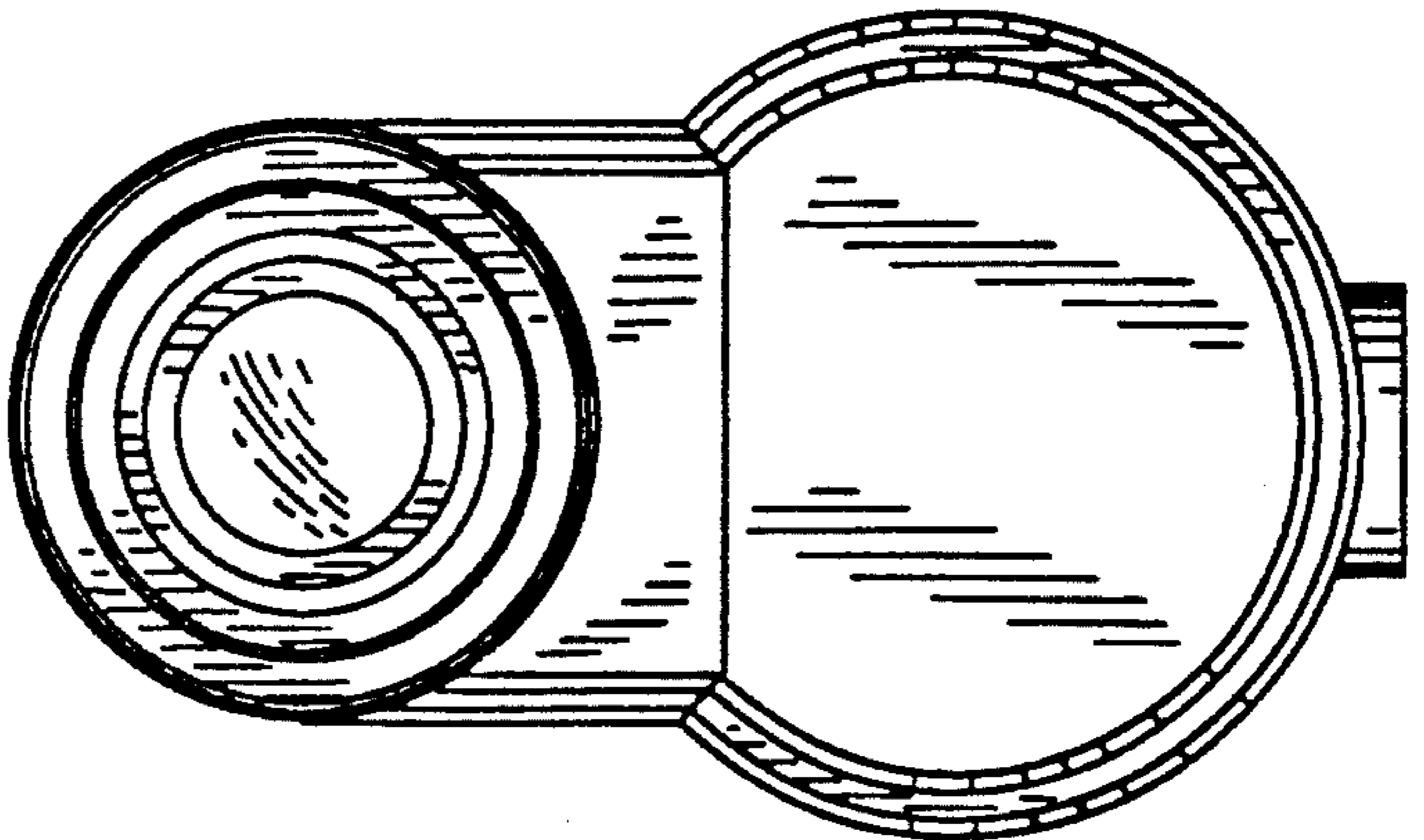


FIG. 14



FIG. 11

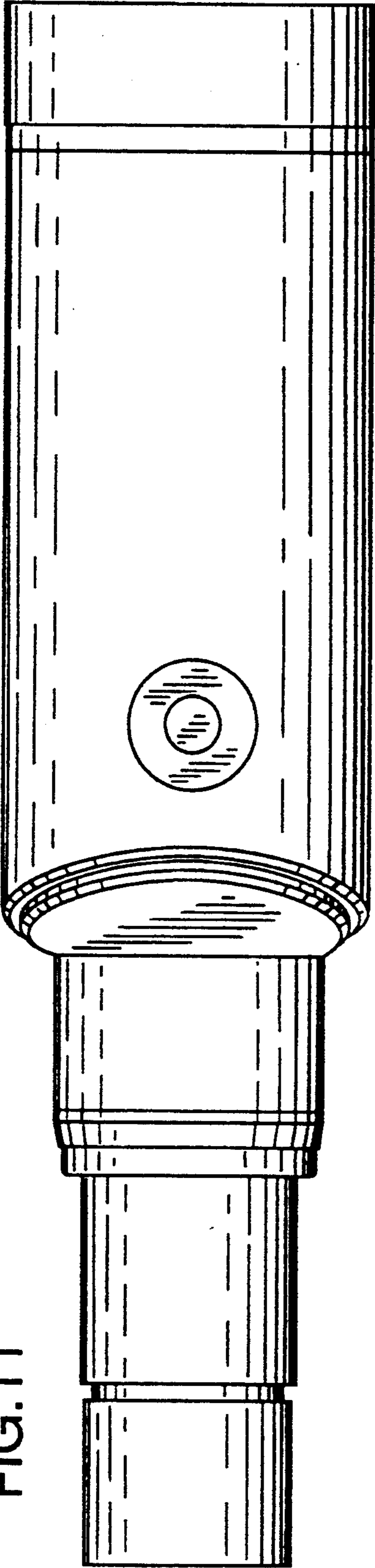


FIG. 12

