



US00D347436S

United States Patent [19]

[11] Patent Number: **Des. 347,436**

Tang

[45] Date of Patent: **** May 31, 1994**

[54] **COMBINED GLOBAL POSITIONING SYSTEM ANTENNA AND PREAMPLIFIER**

2,565,900 8/1951 Wiley 343/703
4,878,062 10/1989 Craven et al. 343/872

[75] Inventor: **John G. Tang, San Carlos, Calif.**

Primary Examiner—Bernard Ansher
Assistant Examiner—Richelle G. Shelton
Attorney, Agent, or Firm—Thomas E. Schatzel

[73] Assignee: **Trimble Navigation Limited, Sunnyvale, Calif.**

[57] **CLAIM**

[**] Term: **14 Years**

The ornamental design for a combined global positioning system antenna and preamplifier, as shown and described.

[21] Appl. No.: **870,703**

[22] Filed: **Apr. 17, 1992**

DESCRIPTION

[52] U.S. Cl. **D14/230**

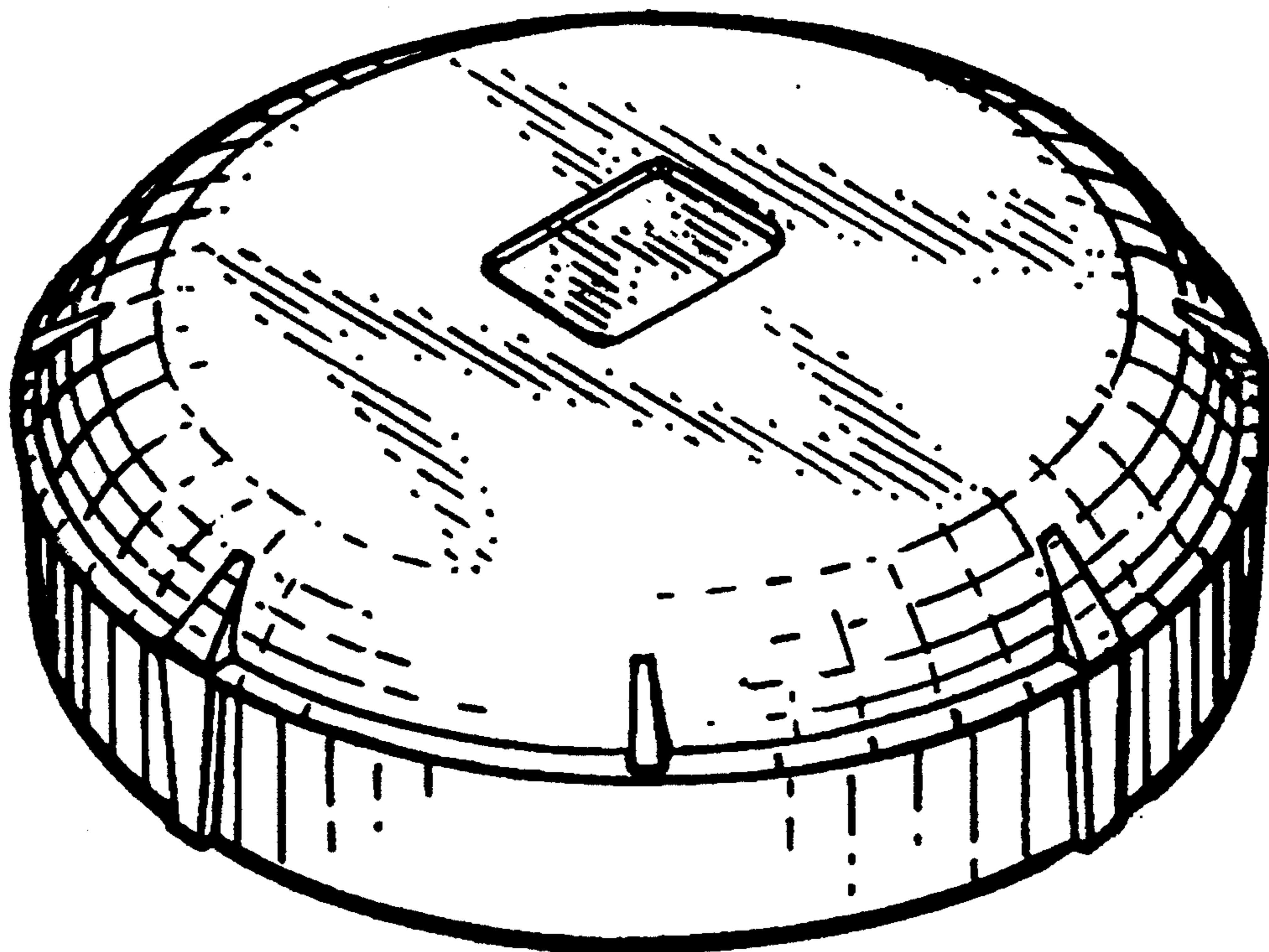
[58] Field of Search 343/703, 720, 872, 793, 343/797; 342/352; D14/230

FIG. 1 is a top, front and left side perspective view of a combined global positioning system antenna and preamplifier showing my new design;
FIG. 2 is a front elevational view thereof, and a mirror image of a rear elevational view thereof;
FIG. 3 is a left side elevational view thereof, and a mirror image of a right elevational view thereof;
FIG. 4 is a top plan view thereof; and,
FIG. 5 is a bottom plan view thereof.

[56] **References Cited**

U.S. PATENT DOCUMENTS

- D. 304,944 12/1989 Behringer D14/188
- D. 327,690 7/1992 Ogawa et al. D14/230
- D. 338,206 8/1993 Sawaguchi et al. D14/230



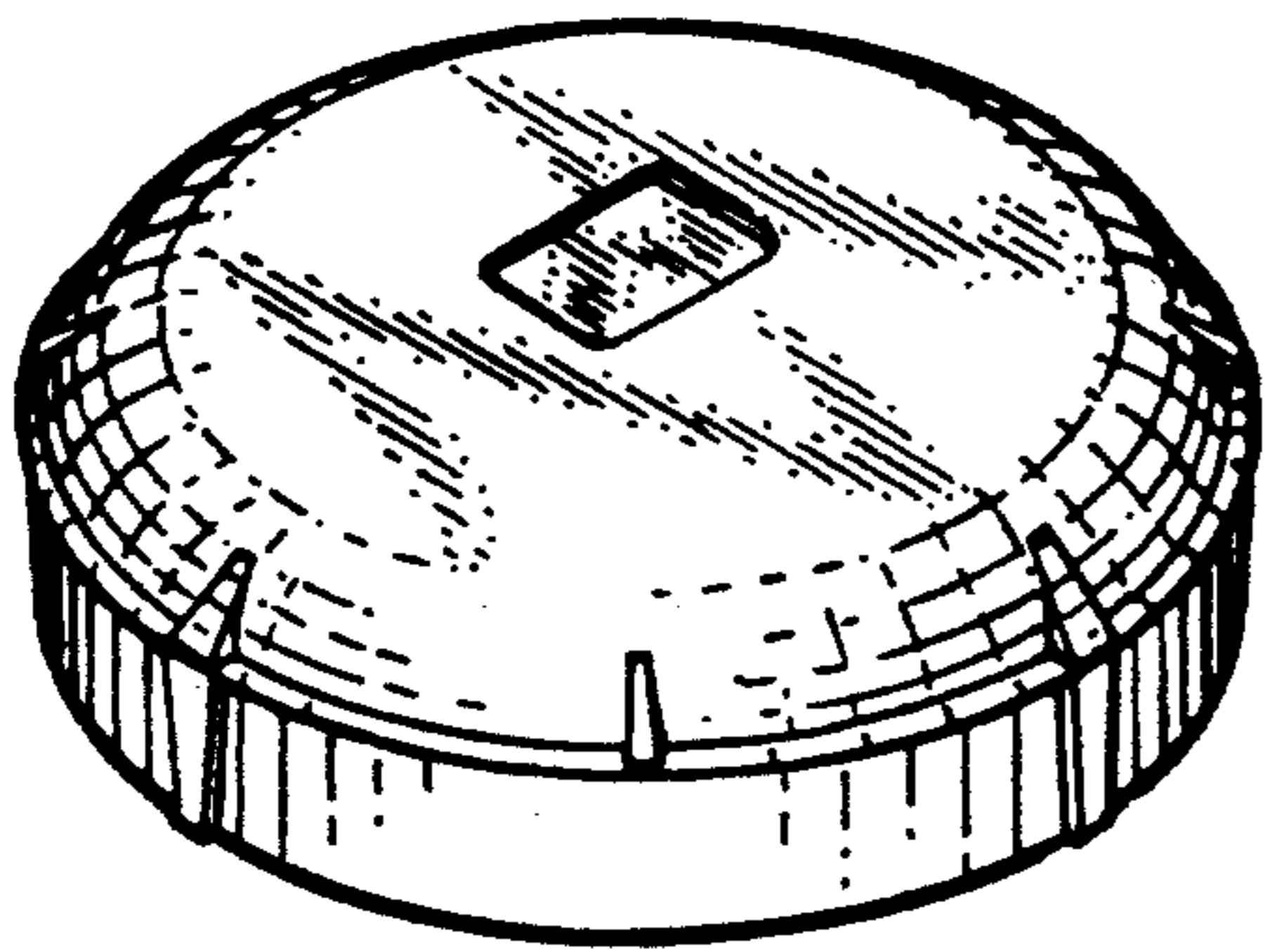


Fig. 1

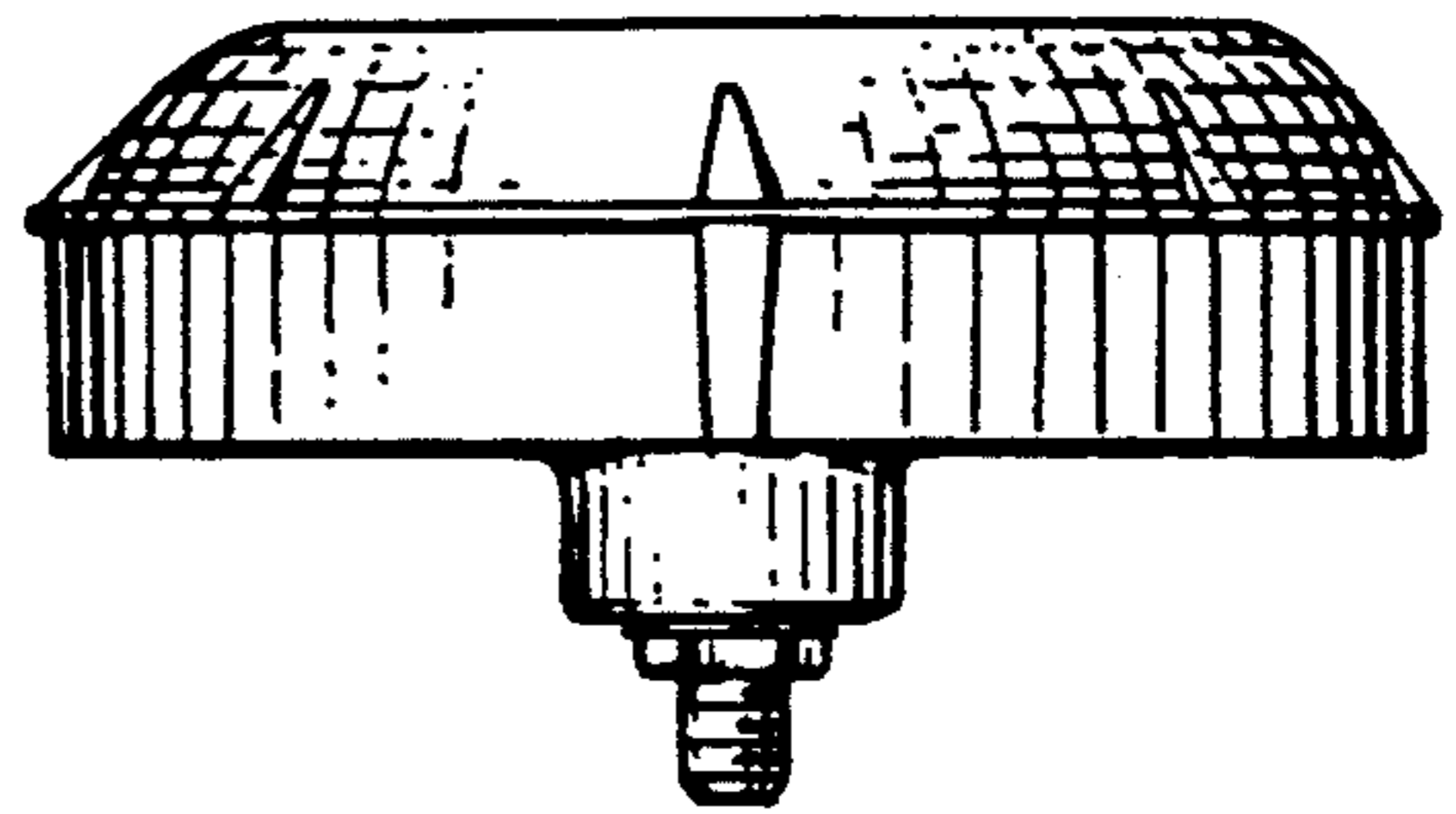


Fig. 2

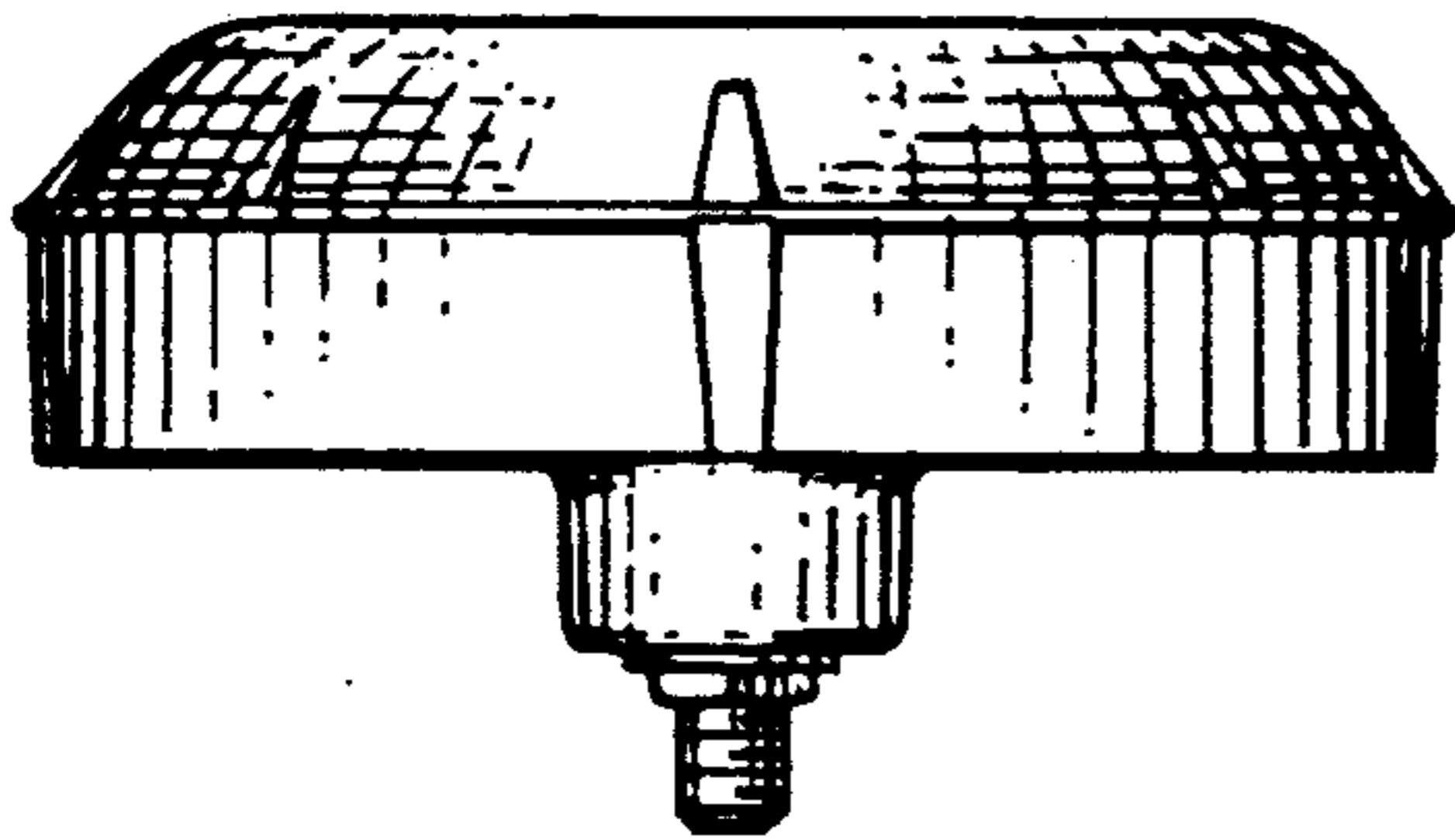


Fig. 3

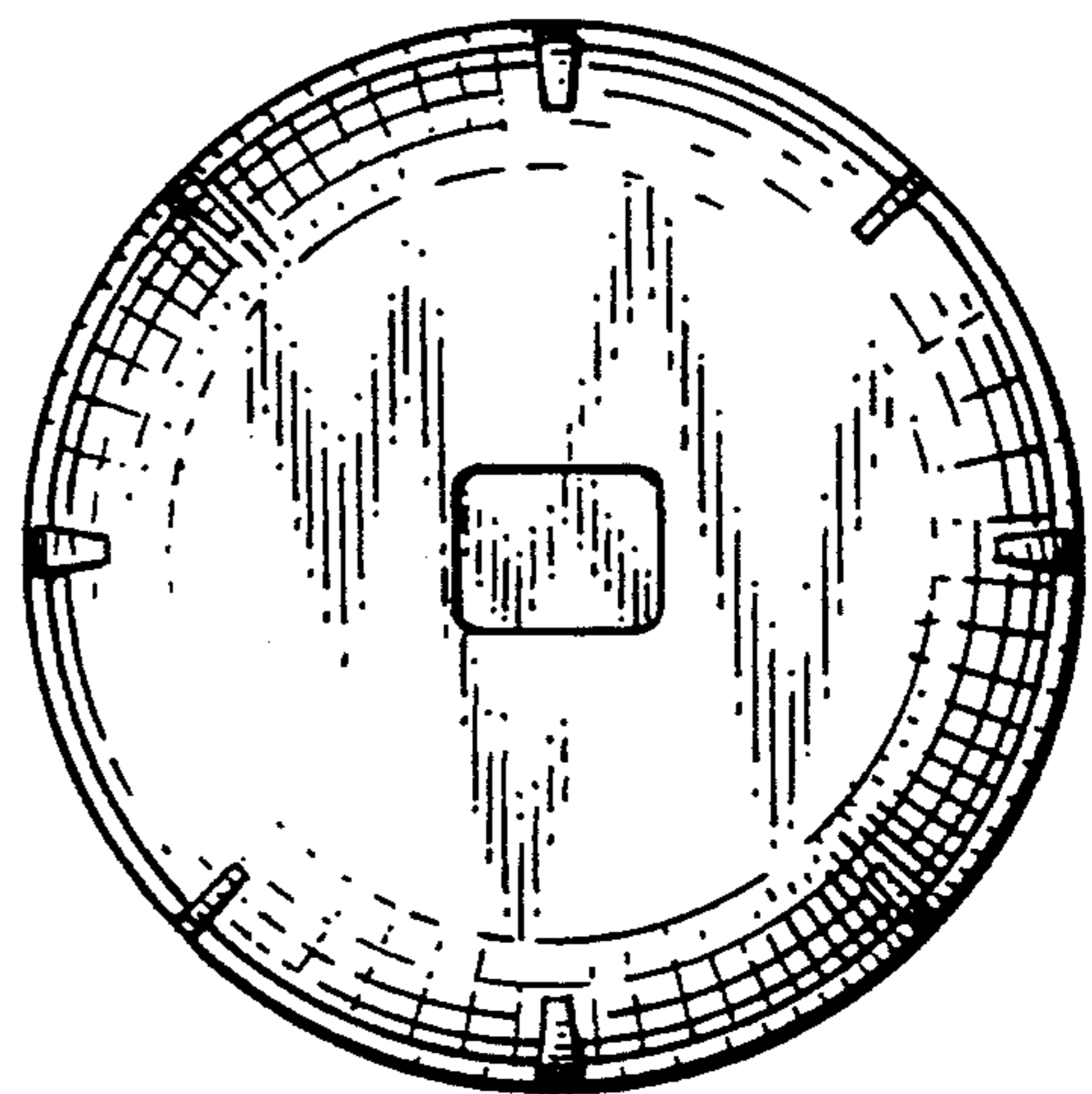


Fig. 4

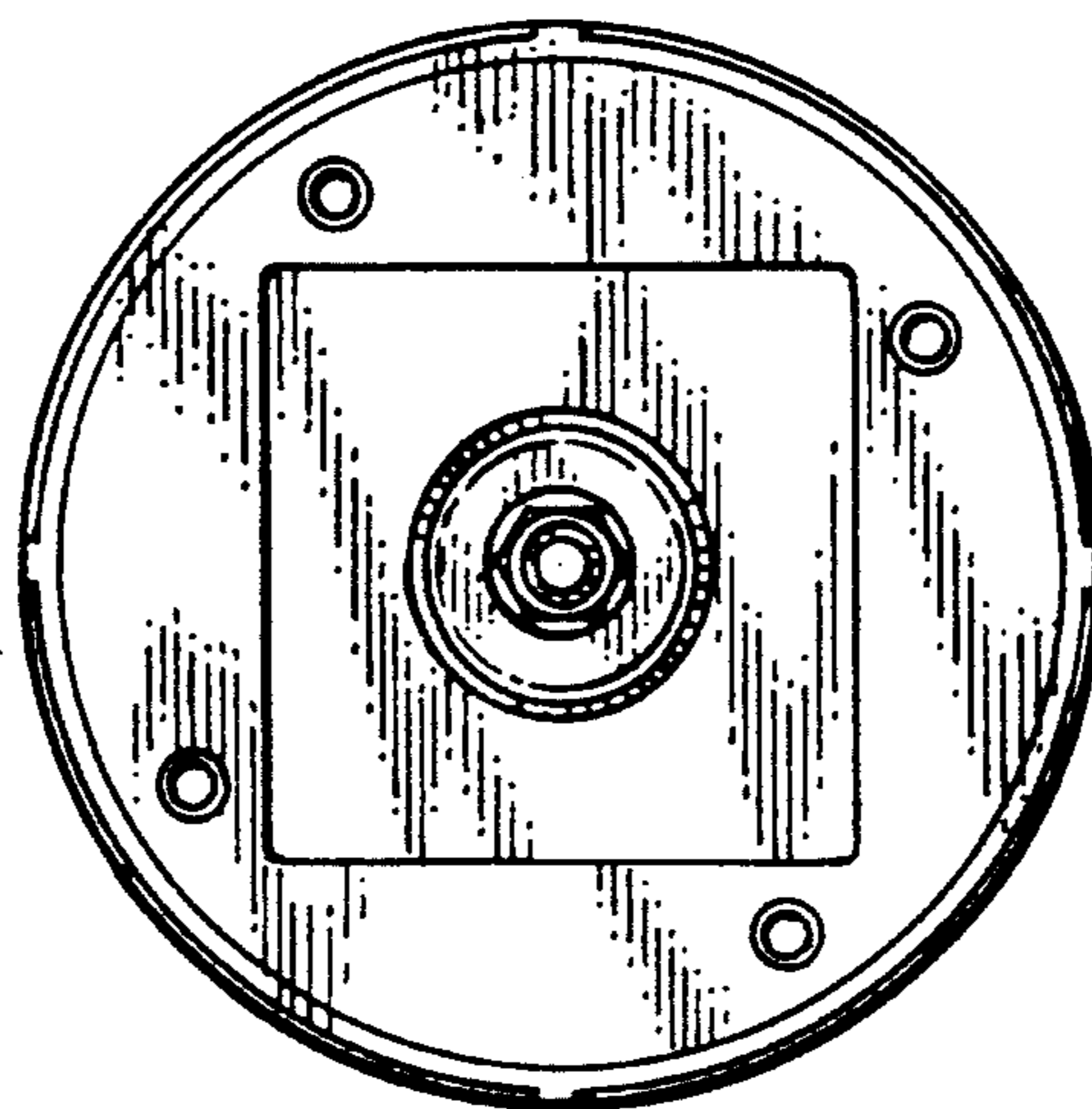


Fig. 5