



US00D347430S

# United States Patent [19]

Uchiyama et al.

[11] Patent Number: Des. 347,430

[45] Date of Patent: \*\* May 31, 1994

[54] TAPE PLAYER

[75] Inventors: Jun Uchiyama; Yan Minjin, both of Tokyo, Japan

[73] Assignee: Sony Corporation, Tokyo, Japan

[\*\*] Term: 14 Years

[21] Appl. No.: 915,193

[22] Filed: Jul. 20, 1992

[30] Foreign Application Priority Data

Feb. 28, 1992 [JP] Japan ..... 4-5535

[52] U.S. Cl. .... D14/165; D14/163

[58] Field of Search ..... D14/124, 160-172, D14/188, 265, 299

[56] References Cited

U.S. PATENT DOCUMENTS

- D. 315,159 3/1991 Hino ..... D14/163
- D. 318,278 7/1991 Oka ..... D14/163
- D. 318,667 7/1991 Ikeyama et al. .... D14/165

- D. 330,552 10/1992 Tsuchiya ..... D14/165
- D. 336,296 6/1993 Wada ..... D14/165

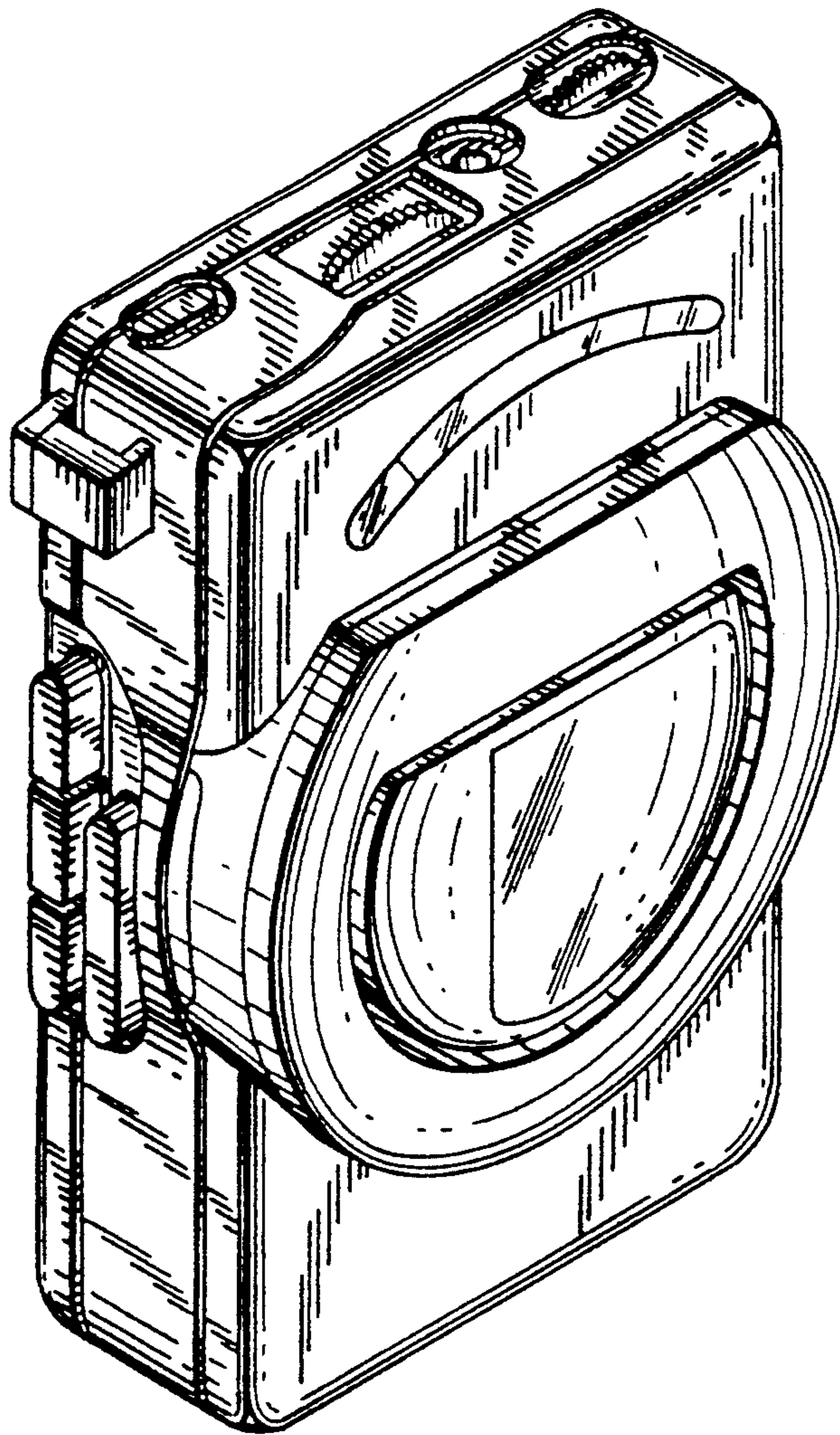
Primary Examiner—Theodore M. Shooman  
Attorney, Agent, or Firm—Lewis H. Eslinger; Jay H. Maioli

[57] CLAIM

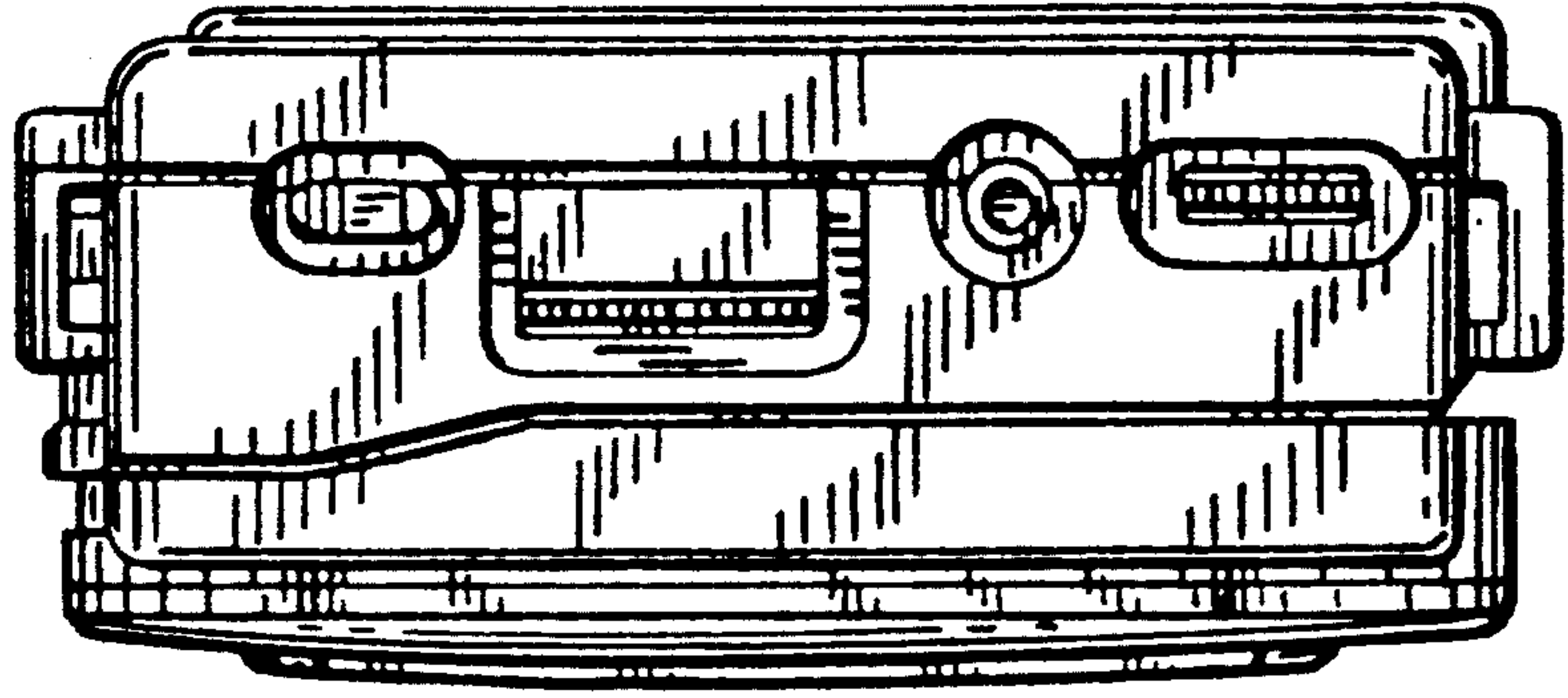
The ornamental design for a tape player, as shown and described.

DESCRIPTION

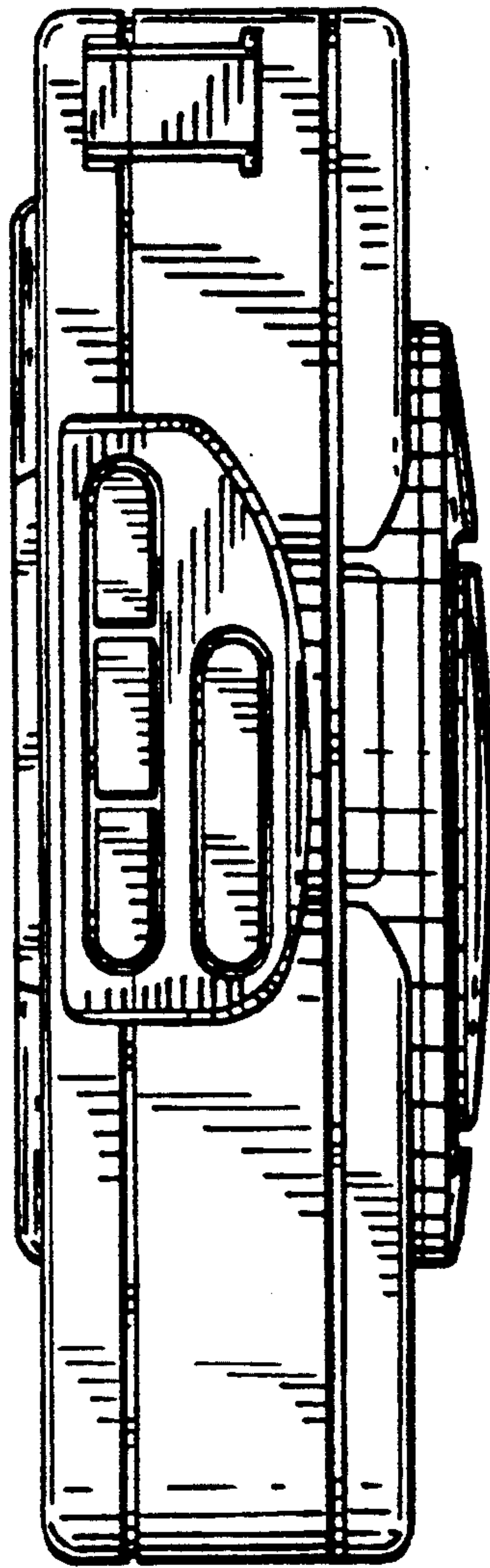
FIG. 1 is a top plan view of a tape player showing our new design;  
 FIG. 2 is a left-side elevational view thereof;  
 FIG. 3 is a front elevational view thereof;  
 FIG. 4 is a right-side elevational view thereof;  
 FIG. 5 is a rear elevational view thereof;  
 FIG. 6 is a bottom plan view thereof;  
 FIG. 7 is a top, front and left-side perspective view thereof; and,  
 FIG. 8 is a top, front and left-side perspective view thereof, shown in the open position.



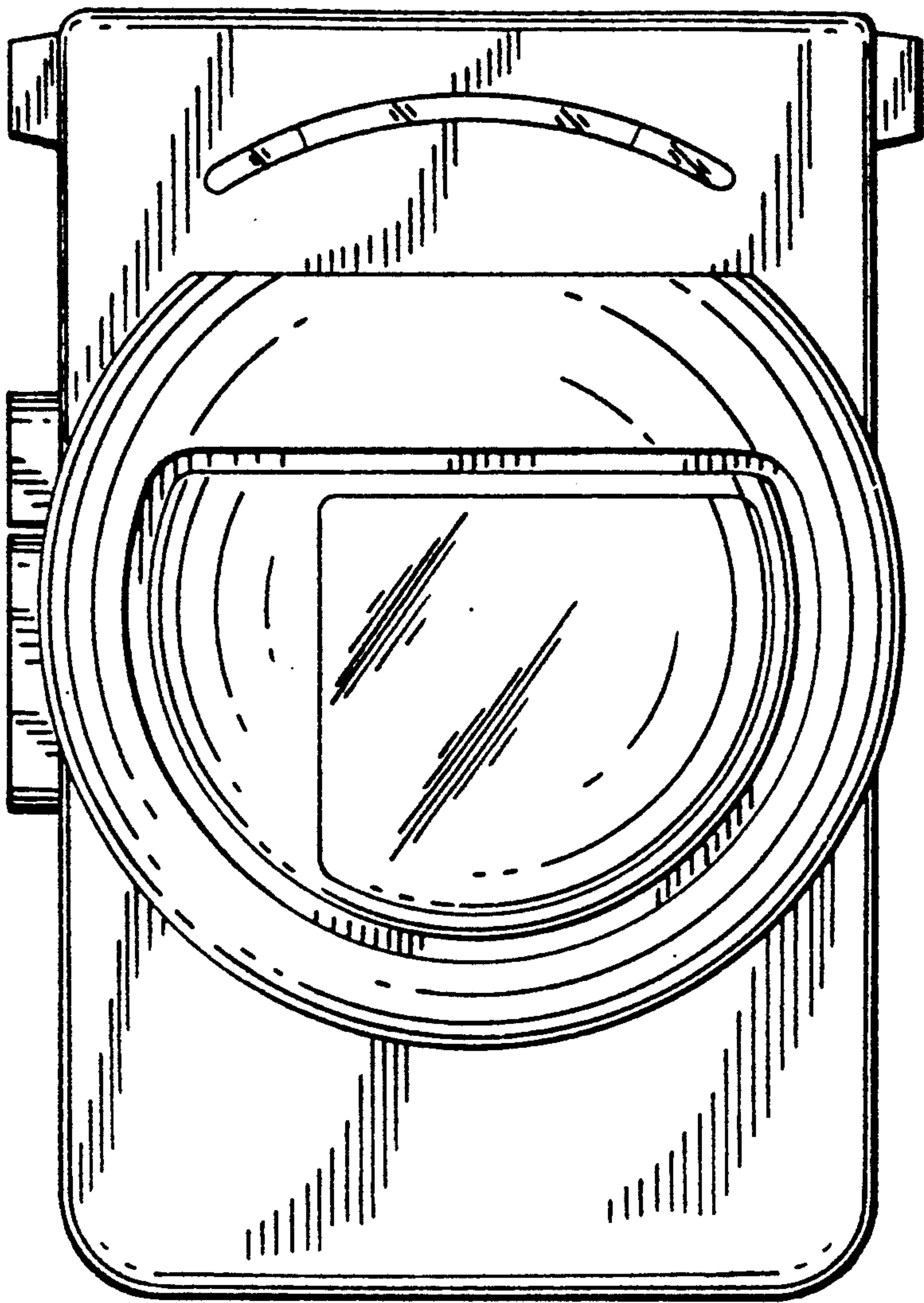
*FIG. 1*



*FIG. 2*



*FIG. 3*



*FIG. 6*

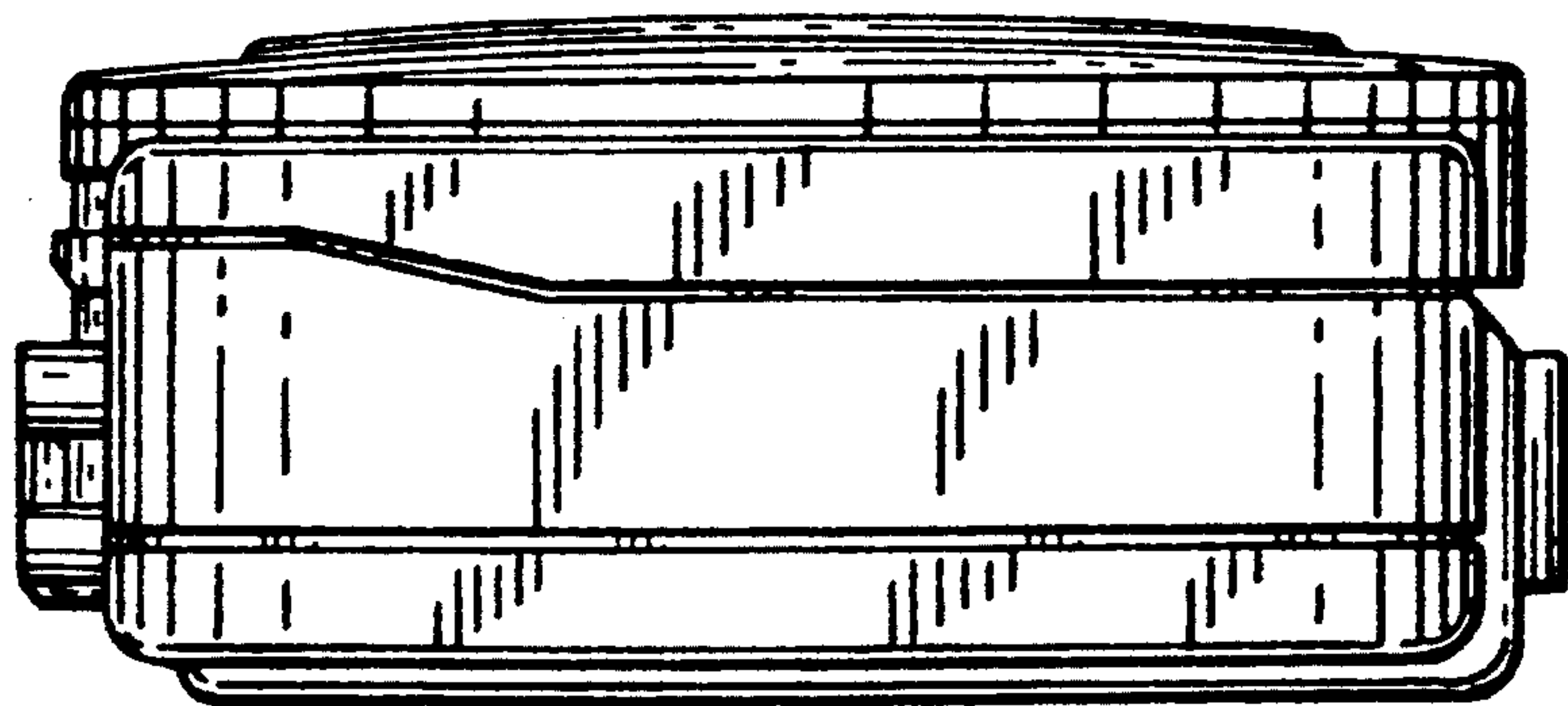




FIG. 5

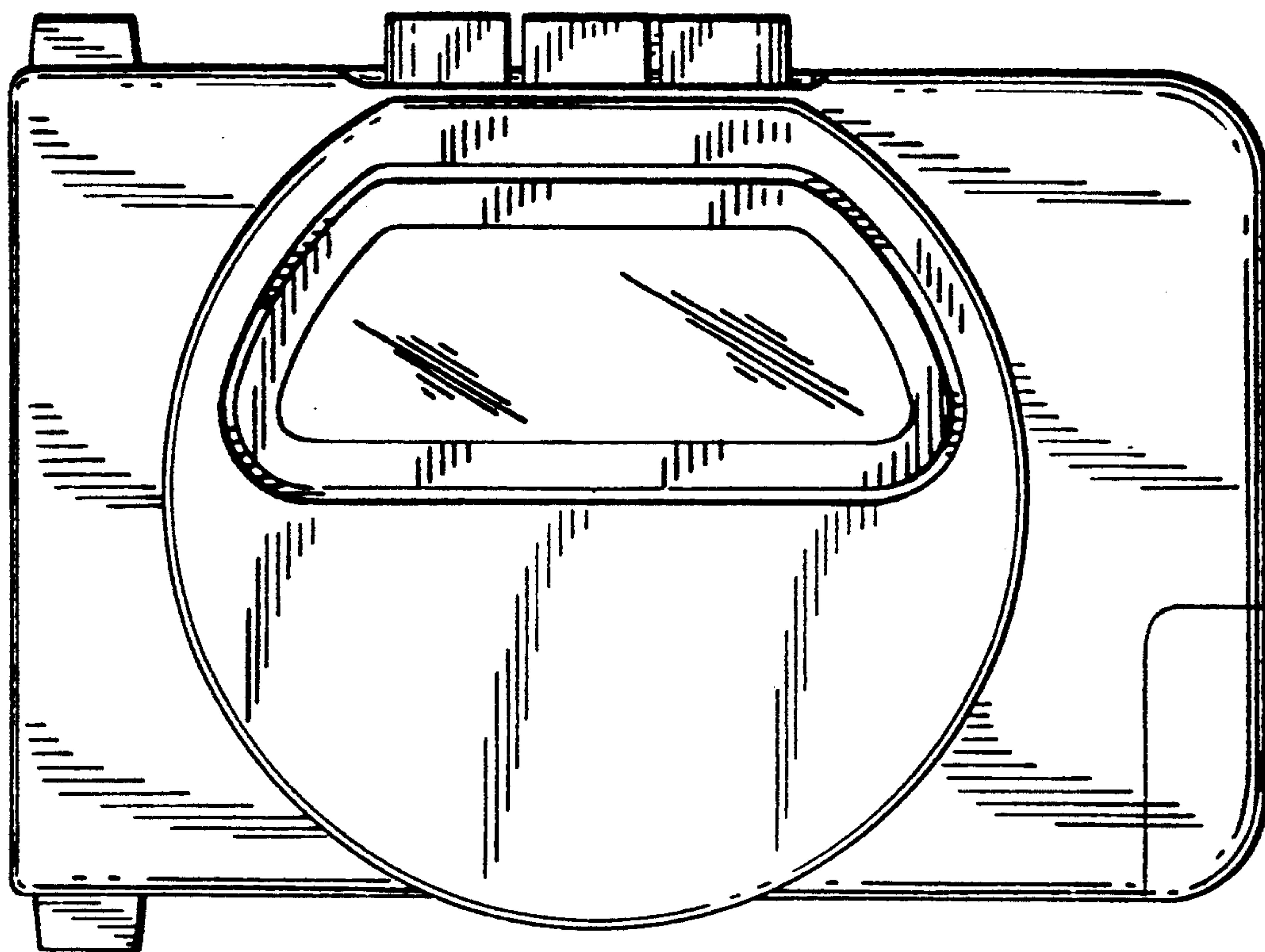
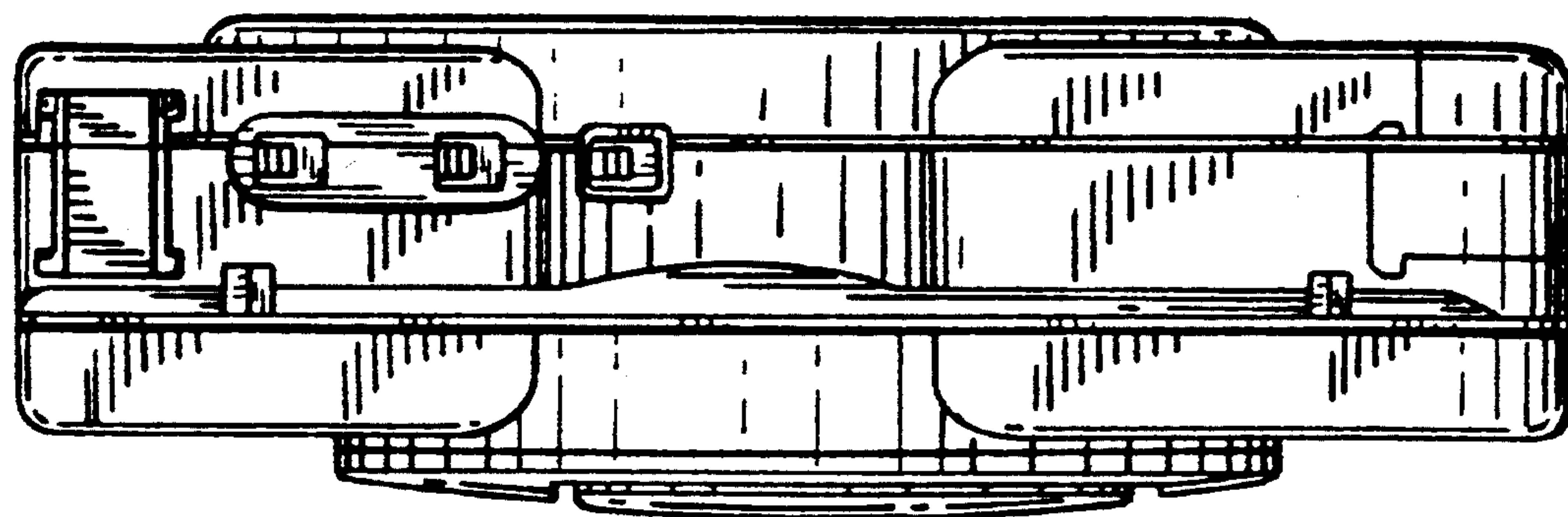


FIG. 4



*FIG. 7*

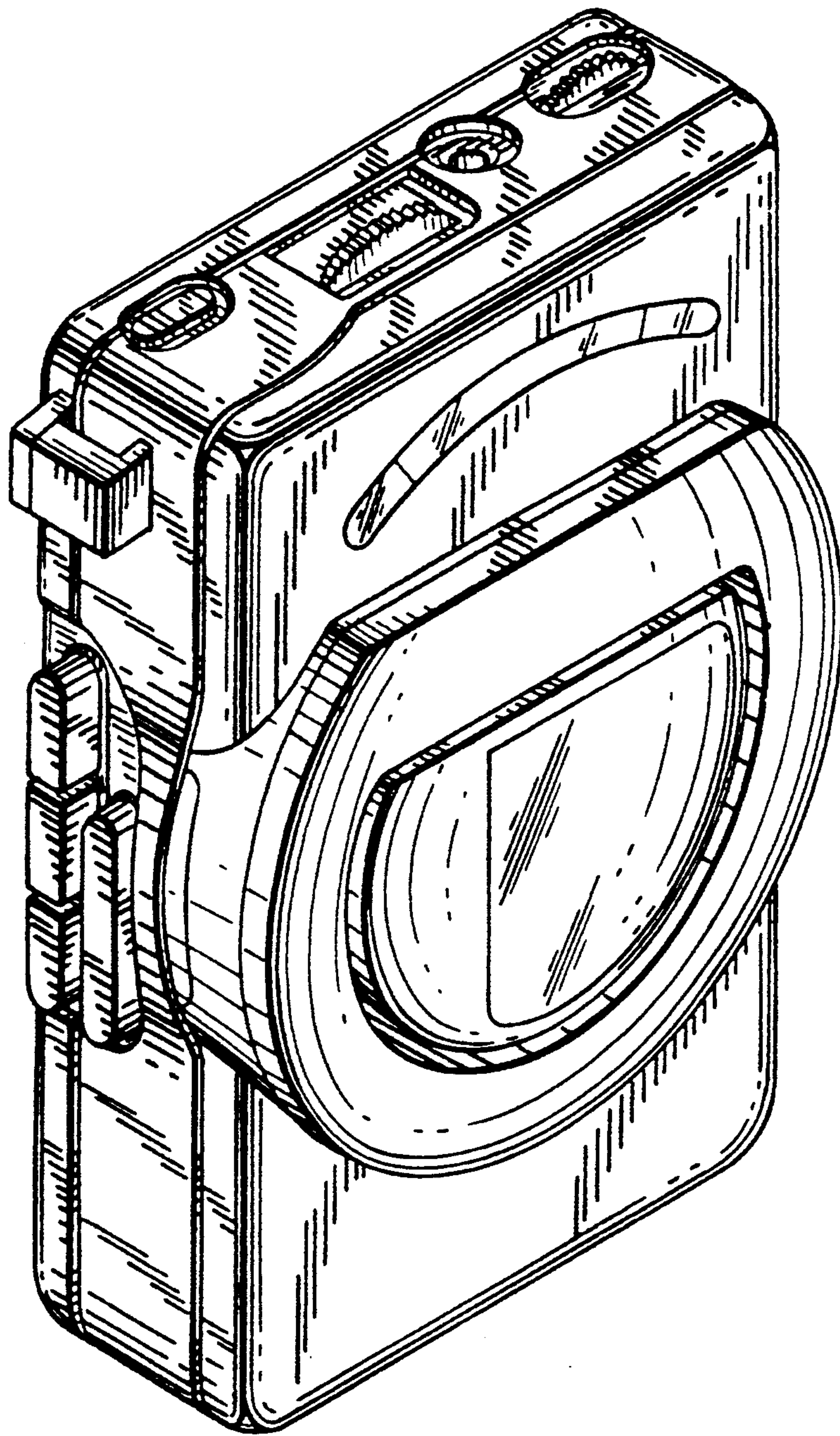


FIG. 8

