



US00D347429S

United States Patent [19]

[11] Patent Number: **Des. 347,429**

Kanatani et al.

[45] Date of Patent: **** May 31, 1994**

[54] **TAPE RECORDER COMBINED WITH A RADIO TUNER**

[75] Inventors: **Masakazu Kanatani; Jun Uchiyama; Richard Gioscia**, all of Tokyo, Japan

[73] Assignee: **Sony Corporation**, Tokyo, Japan

[**] Term: **14 Years**

[21] Appl. No.: **915,197**

[22] Filed: **Jul. 20, 1992**

[30] Foreign Application Priority Data

Mar. 9, 1992 [JP] Japan 4-6746

[52] U.S. Cl. **D14/163; D14/168**

[58] Field of Search **D14/124, 160-172, D14/188, 265, 299; D21/111, 112, 113**

[56] References Cited

U.S. PATENT DOCUMENTS

- D. 310,835 9/1990 Grimes D14/168 X
- D. 316,093 4/1991 Okada et al. D14/165 X
- D. 329,851 9/1992 Yoo D14/168 X

OTHER PUBLICATIONS

Design 467, Nov. 1987, p. 43, Bottom.
Hong Kong Enterprise, Feb. 1992, p. 113, Center Model 3838 cassette recorder.

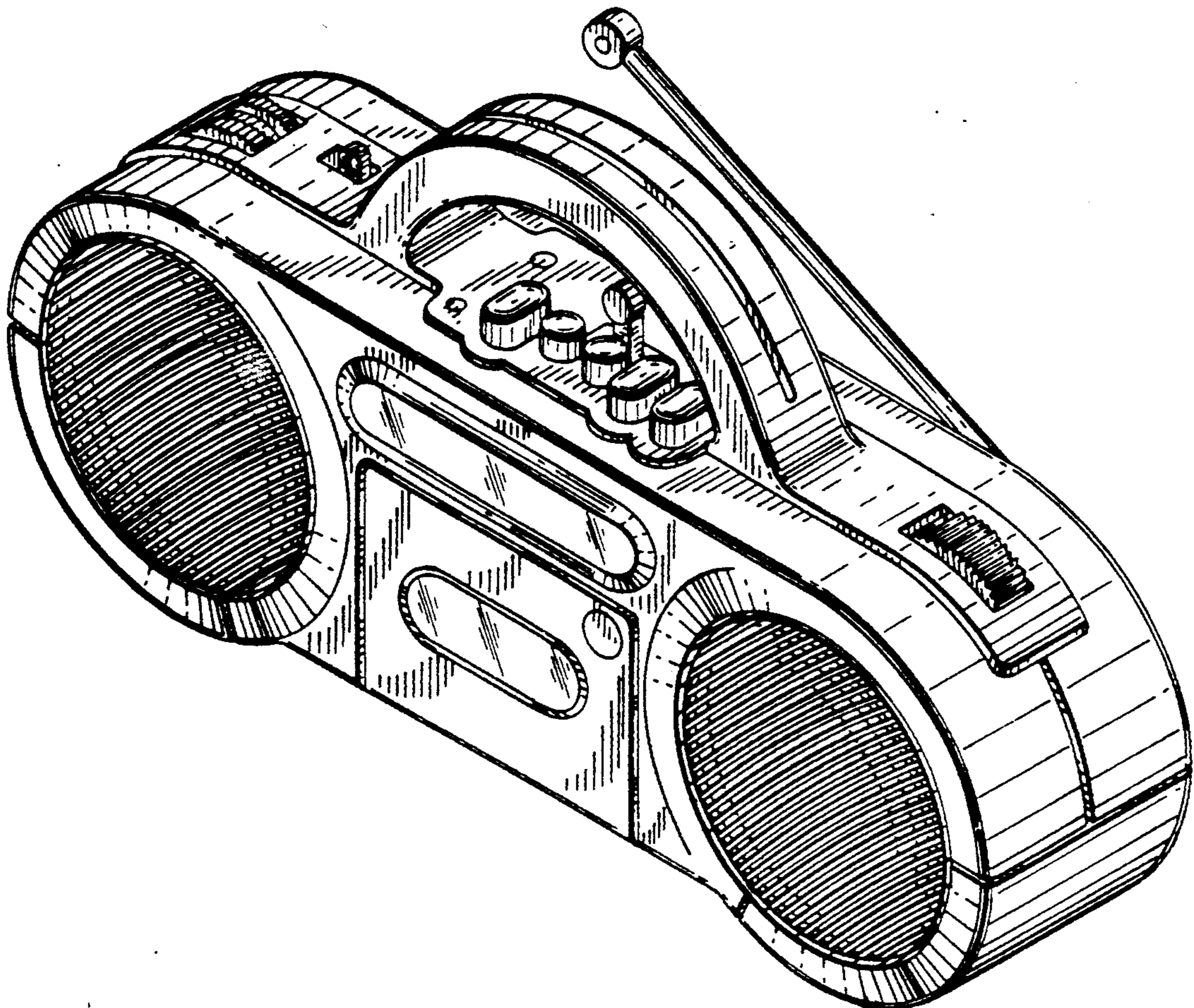
Primary Examiner—Theodore M. Shooman
Attorney, Agent, or Firm—Lewis H. Eslinger; Jay H. Maioli

[57] CLAIM

The ornamental design for a tape recorder combined with a radio tuner, as shown and described.

DESCRIPTION

FIG. 1 is a top plan view of a tape recorder combined with a radio tuner showing our new design; FIG. 2 is a left-side elevational view thereof; FIG. 3 is a front elevational view thereof; FIG. 4 is a right-side elevational view thereof; FIG. 5 is a rear elevational view thereof; FIG. 6 is a bottom plan view thereof; FIG. 7 is a top, front and right-side perspective view thereof; FIG. 8 is a top, front and right-side perspective view thereof, shown with the aerial extended; and, FIG. 9 is a top, front and right-side perspective view thereof, shown in the open position.



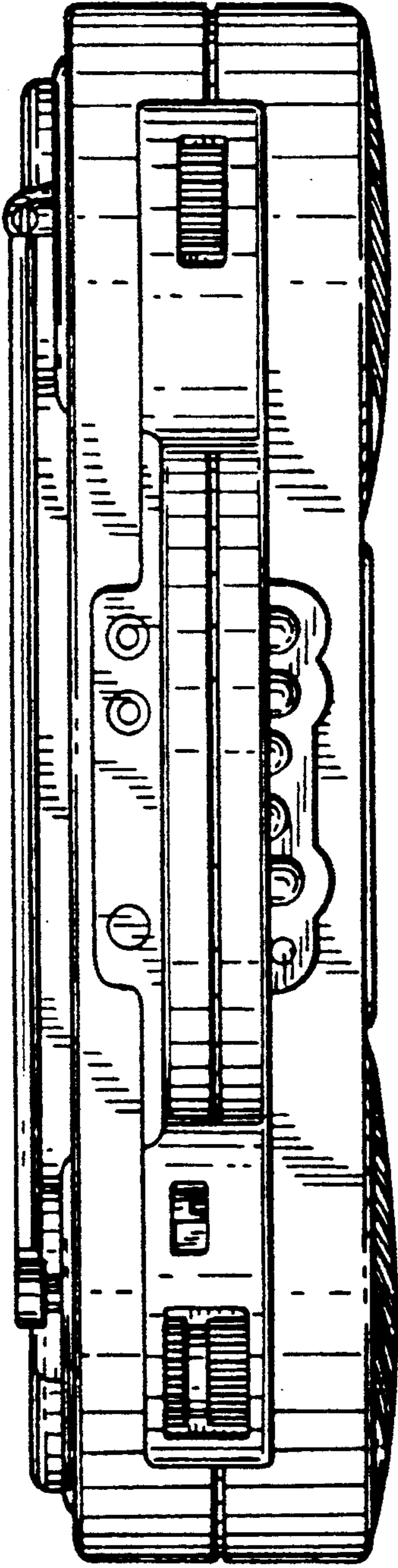


FIG. 1

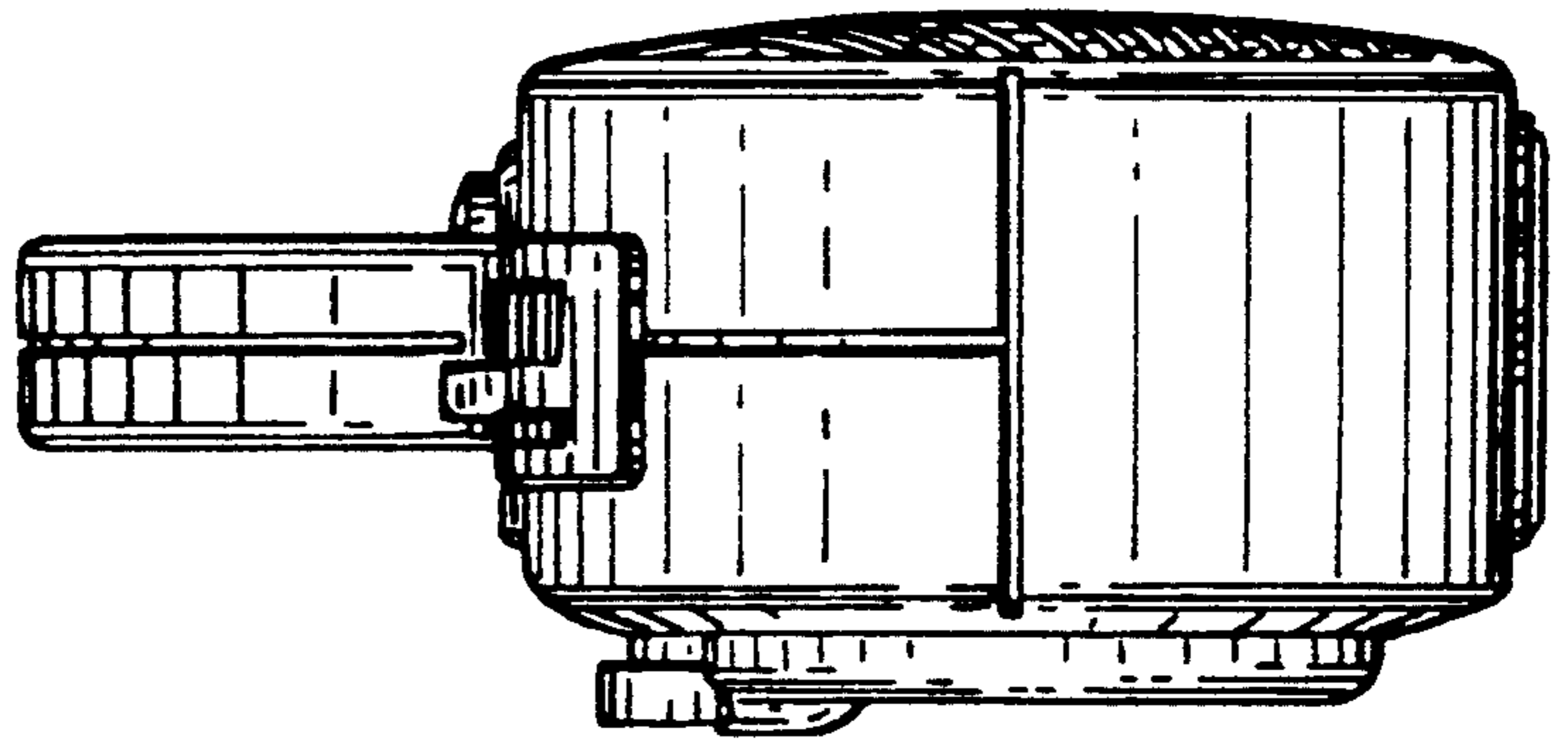


FIG. 2

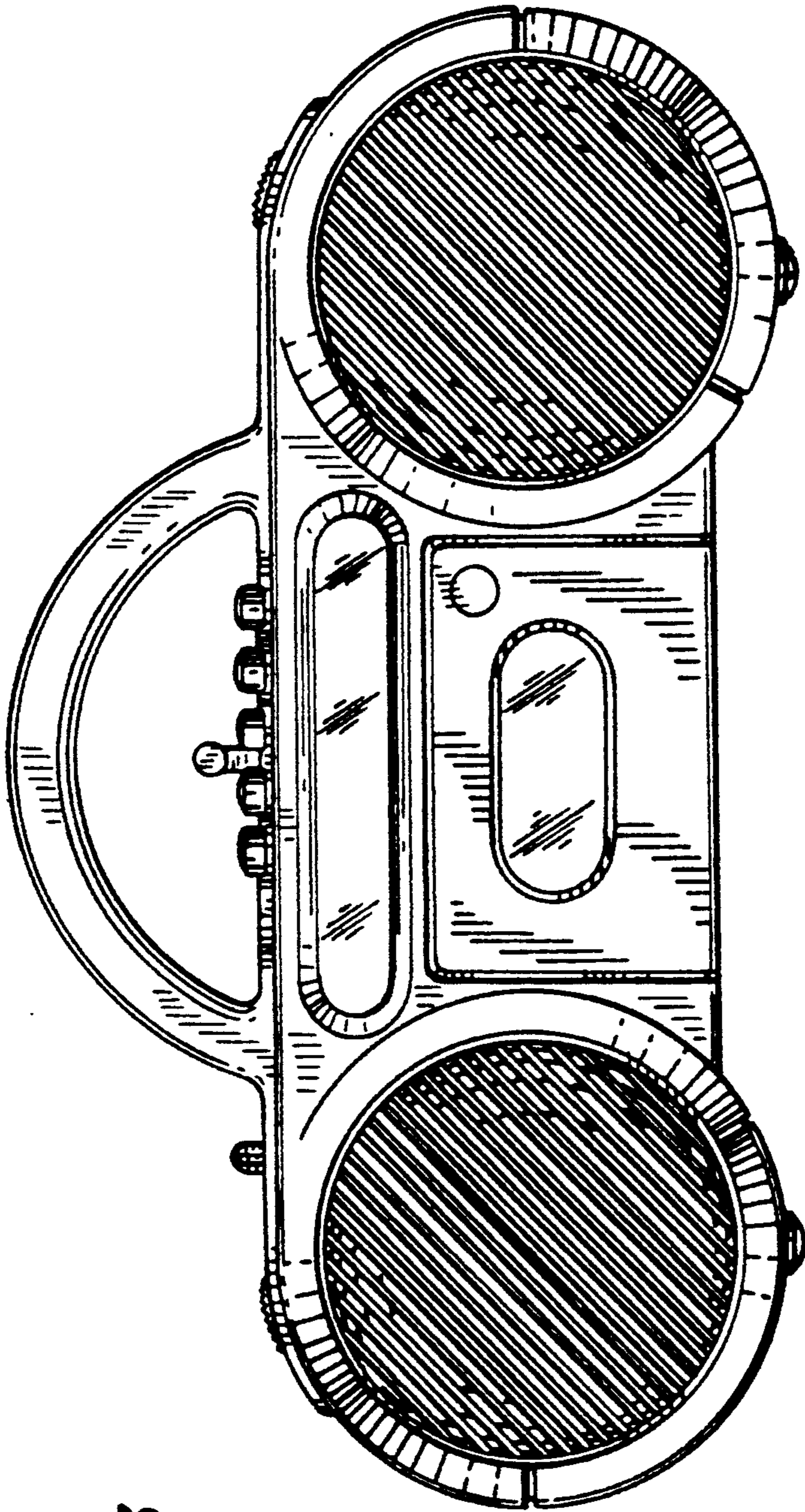


FIG. 3

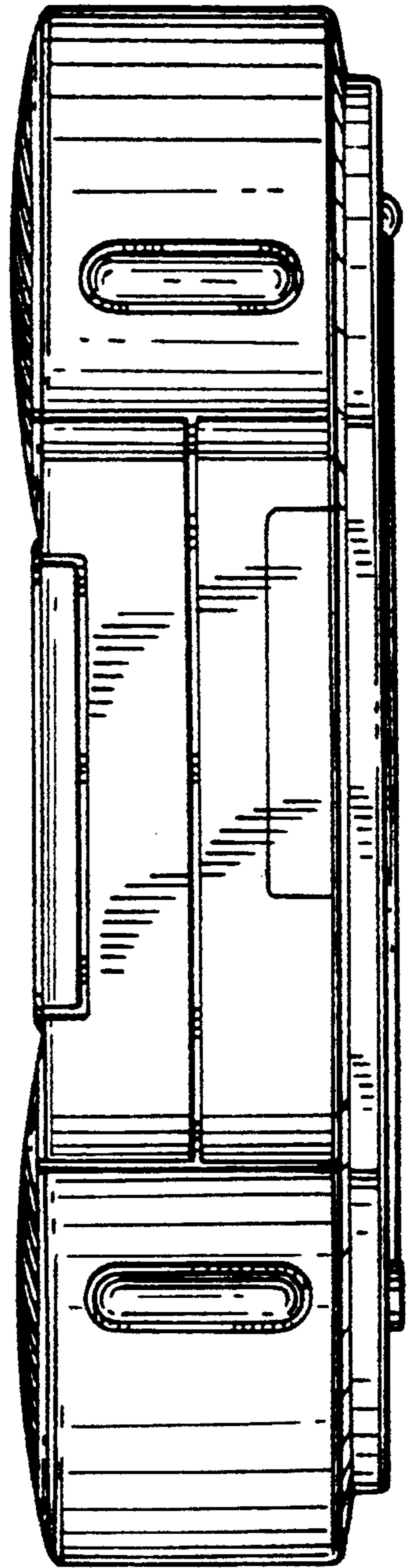


FIG. 6

FIG. 5

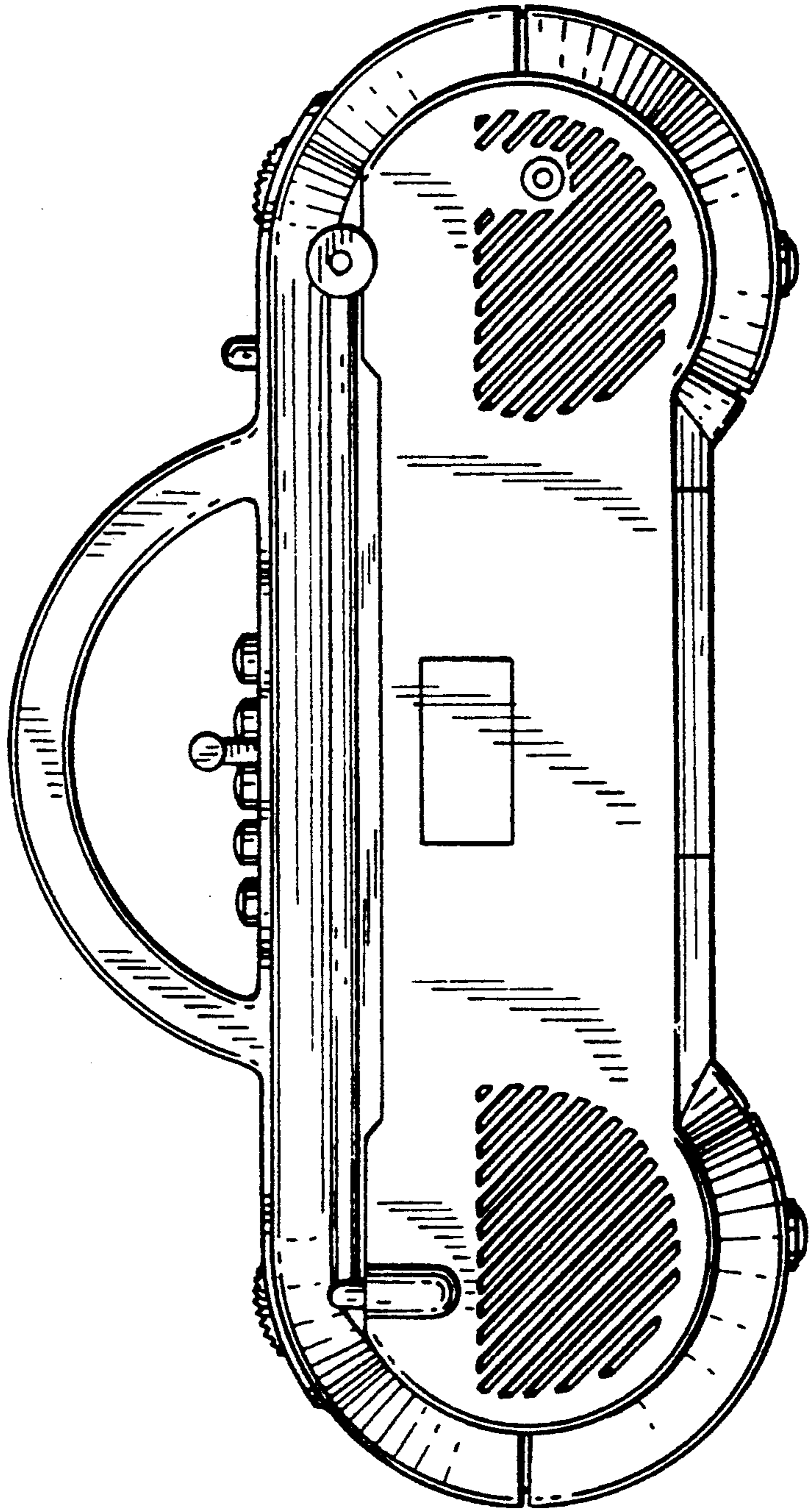
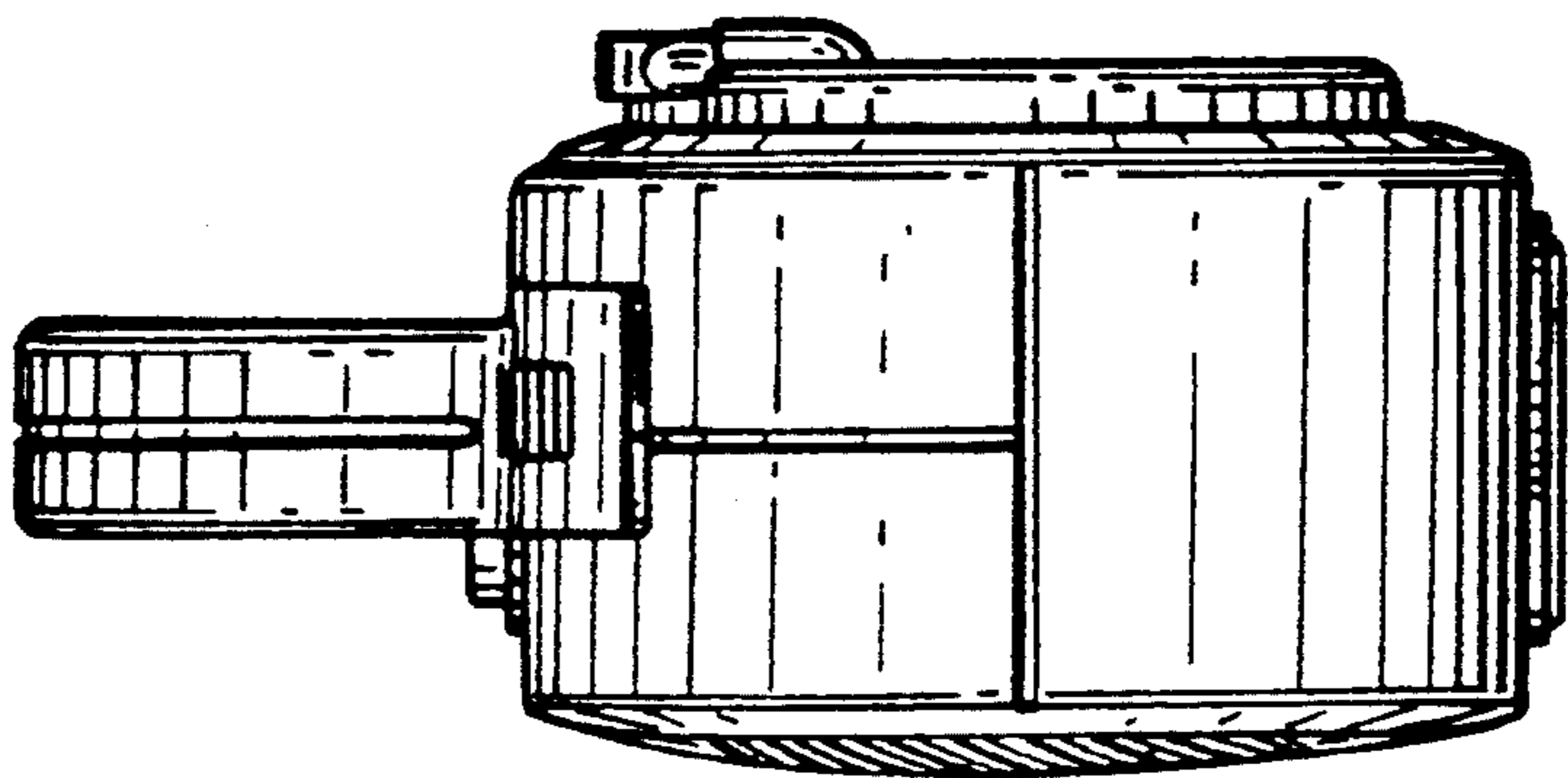


FIG. 4



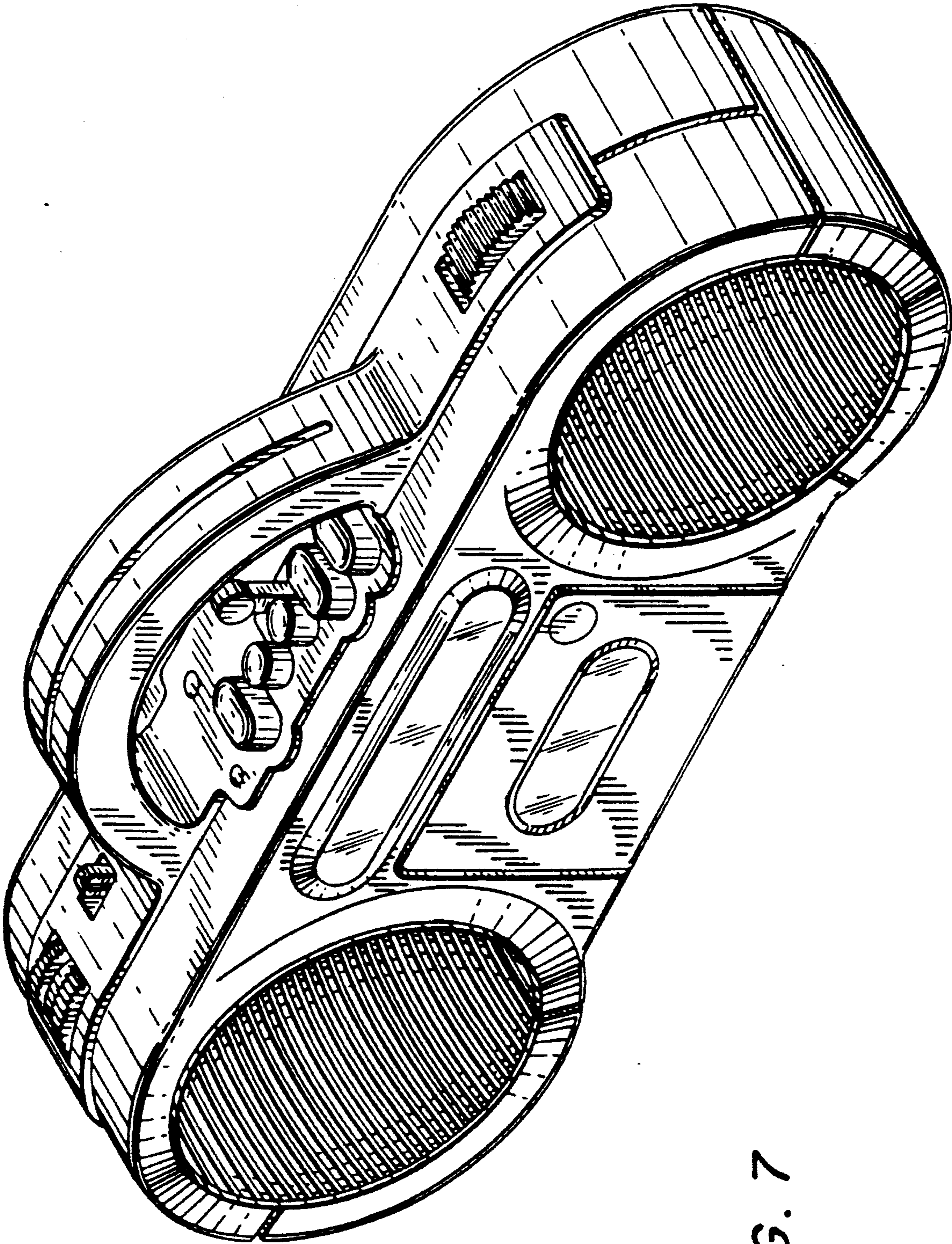


FIG. 7

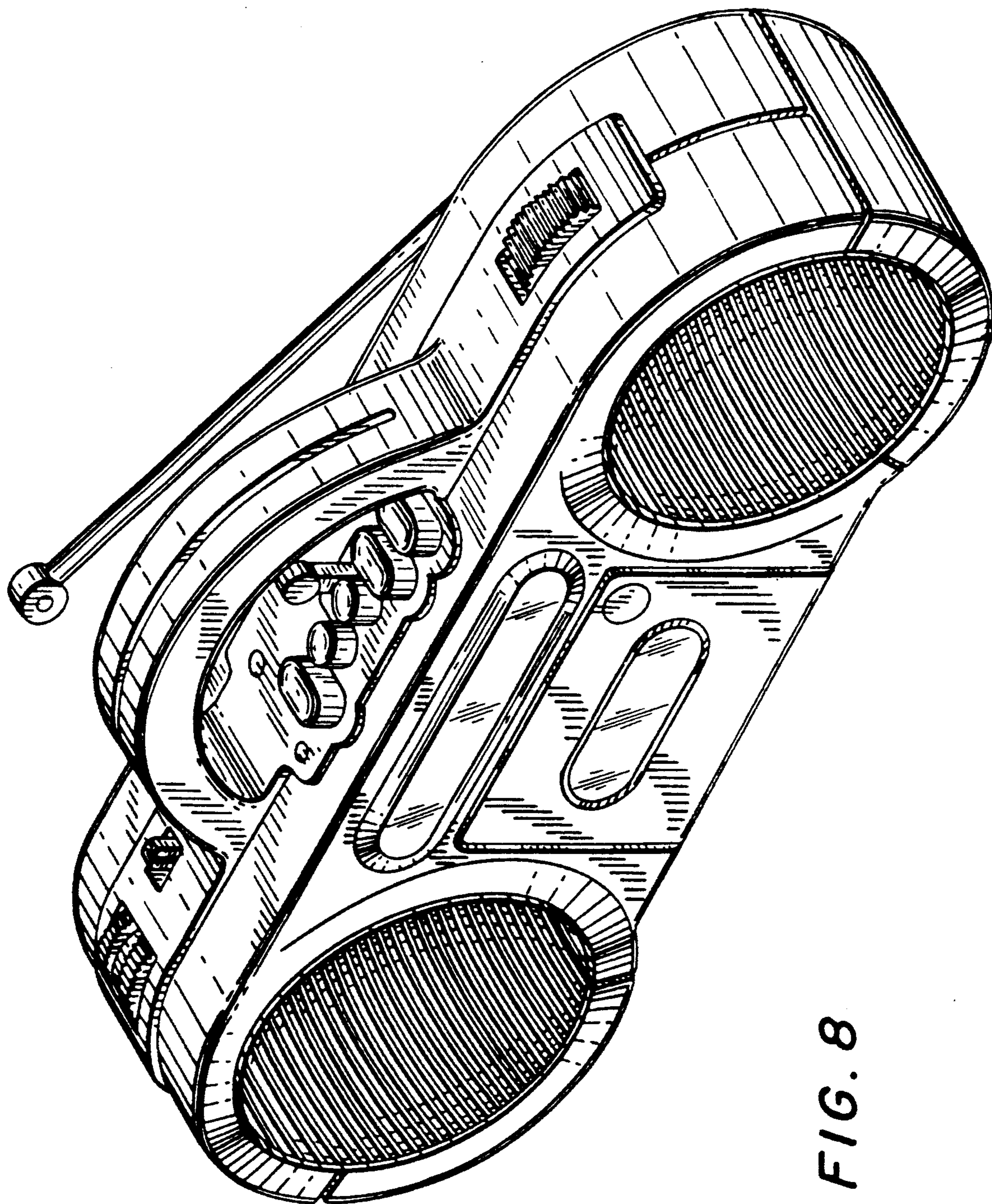


FIG. 8

FIG. 9

