



US00D347428S

United States Patent [19]

[11] Patent Number: **Des. 347,428**

Solomita et al.

[45] Date of Patent: **** May 31, 1994**

[54] TELEPHONE BASE CLOCK RADIO WITH CASSETTE

D. 295,041 4/1988 Wong et al. D14/144
D. 297,428 8/1988 McElroy D14/144
D. 334,188 3/1993 Lau Woon D14/144

[75] Inventors: **Anthony Solomita**, Norwalk; **Nancy Baron**, Stamford; **Barry M. Haber**, Westport, all of Conn.

OTHER PUBLICATIONS

"Comforts for the Bed" Item A (#D3017).
B. A. Pargh Catalog, 1991 Spring/Summer Catalog; p. 310, Item 29711 Gen.

[73] Assignee: **Conair Corporation**, Stamford, Conn.

Primary Examiner—Nelson C. Holtje
Assistant Examiner—Jeffrey Asch
Attorney, Agent, or Firm—Haynes N. Johnson

[**] Term: **14 Years**

[21] Appl. No.: **948,959**

[57] CLAIM

The ornamental design for a telephone base clock radio with cassette, as shown and described.

[22] Filed: **Sep. 21, 1992**

[52] U.S. Cl. **D14/144; D10/2**

[58] Field of Search 379/419, 420, 428, 440;
D14/170, 171, 140, 142, 144, 149, 153, 168;
D10/2

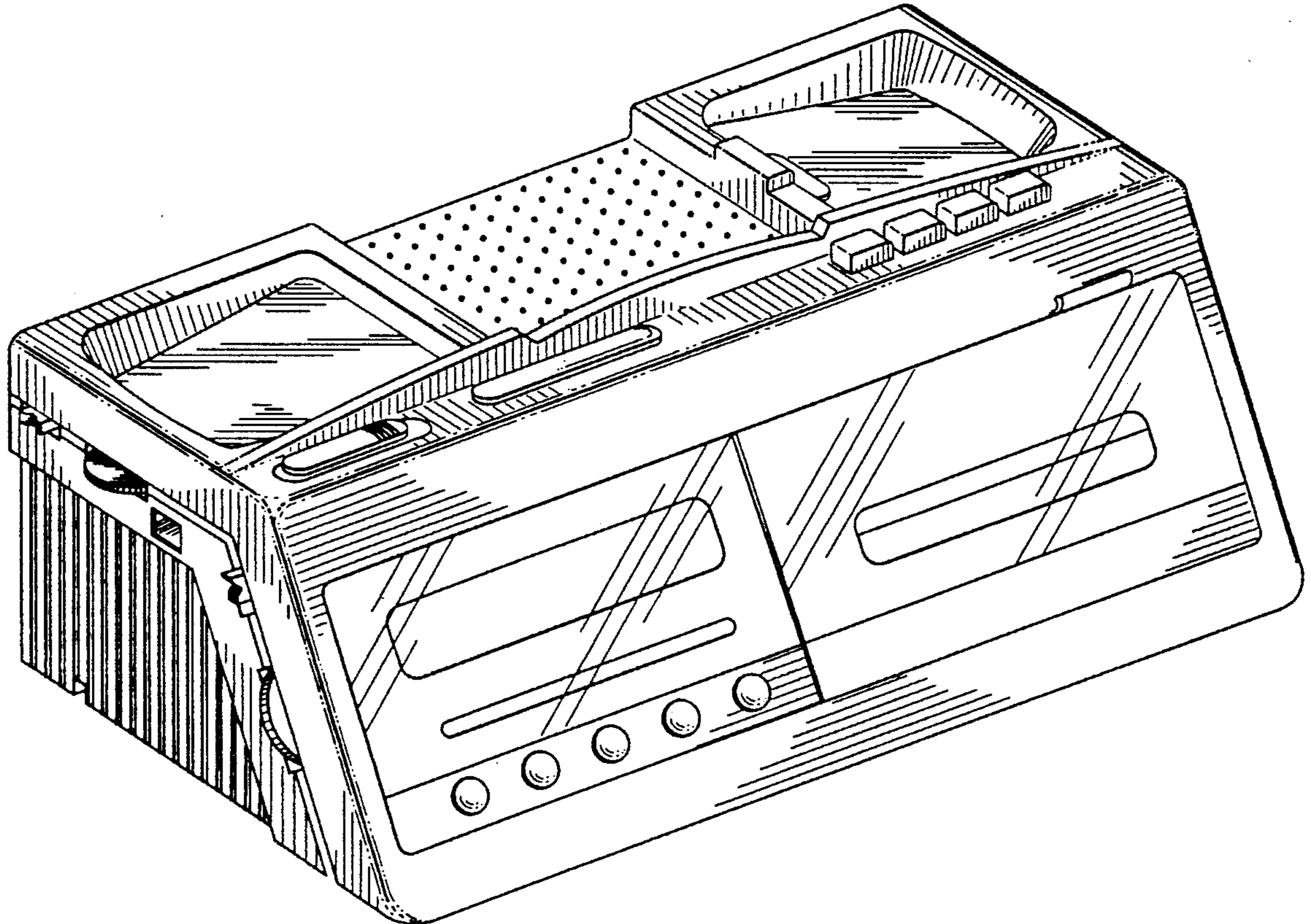
DESCRIPTION

[56] References Cited

U.S. PATENT DOCUMENTS

D. 145,996 12/1946 Collura D14/170
D. 223,929 6/1972 Binks D14/153
D. 268,758 4/1983 Boldt et al. D14/144
D. 274,247 6/1984 Genaro et al. D14/144
D. 279,099 6/1985 Baum D14/144
D. 280,402 9/1985 Brown D14/144

FIG. 1 is a perspective view of a telephone base clock radio with cassette showing our new design;
FIG. 2 is a top plan view thereof;
FIG. 3 is a bottom plan view thereof;
FIG. 4 is a front elevation thereof;
FIG. 5 is a rear elevation thereof;
FIG. 6 is a left side elevation thereof; and,
FIG. 7 is a right side elevation thereof.



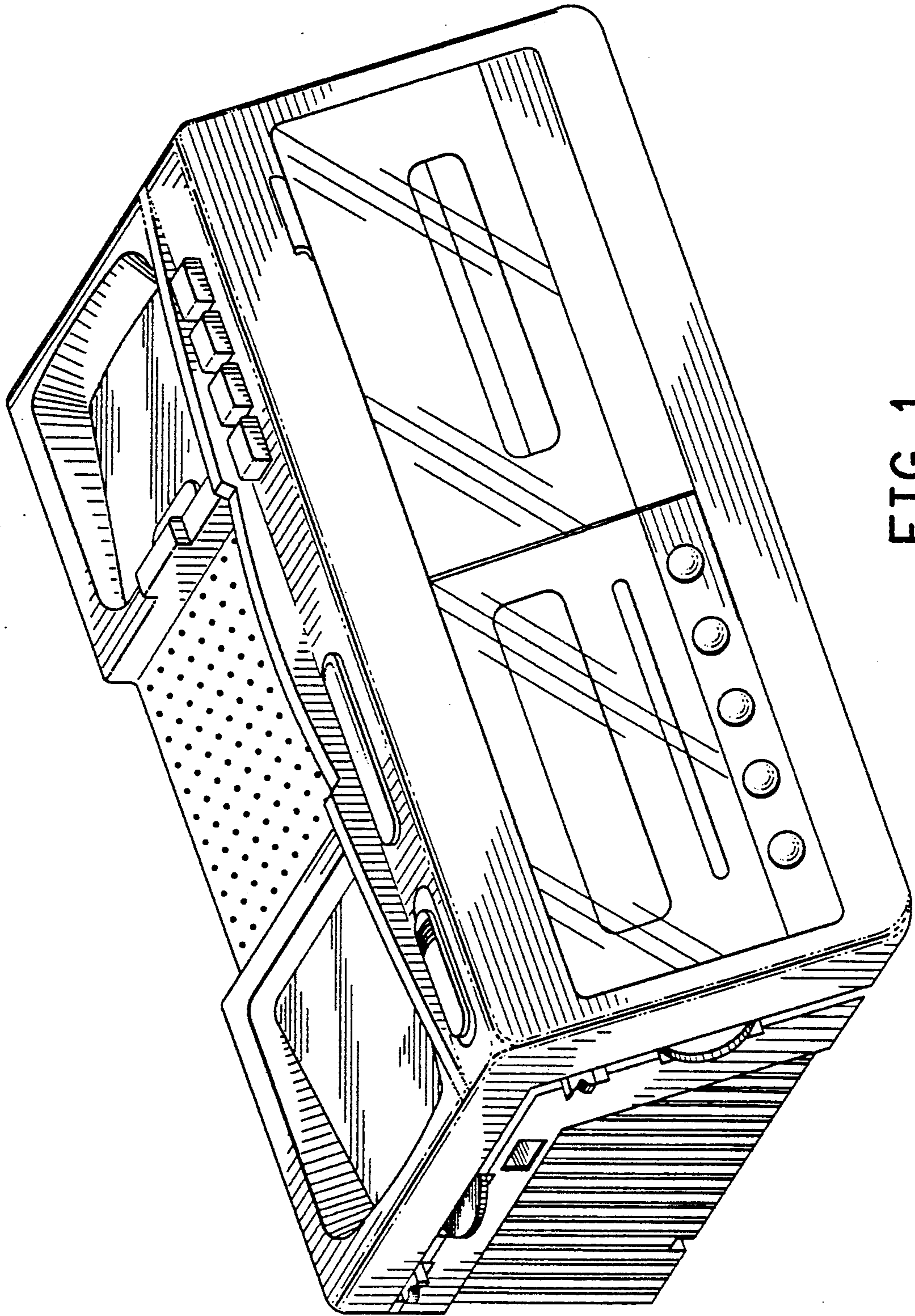


FIG. 1

FIG. 2

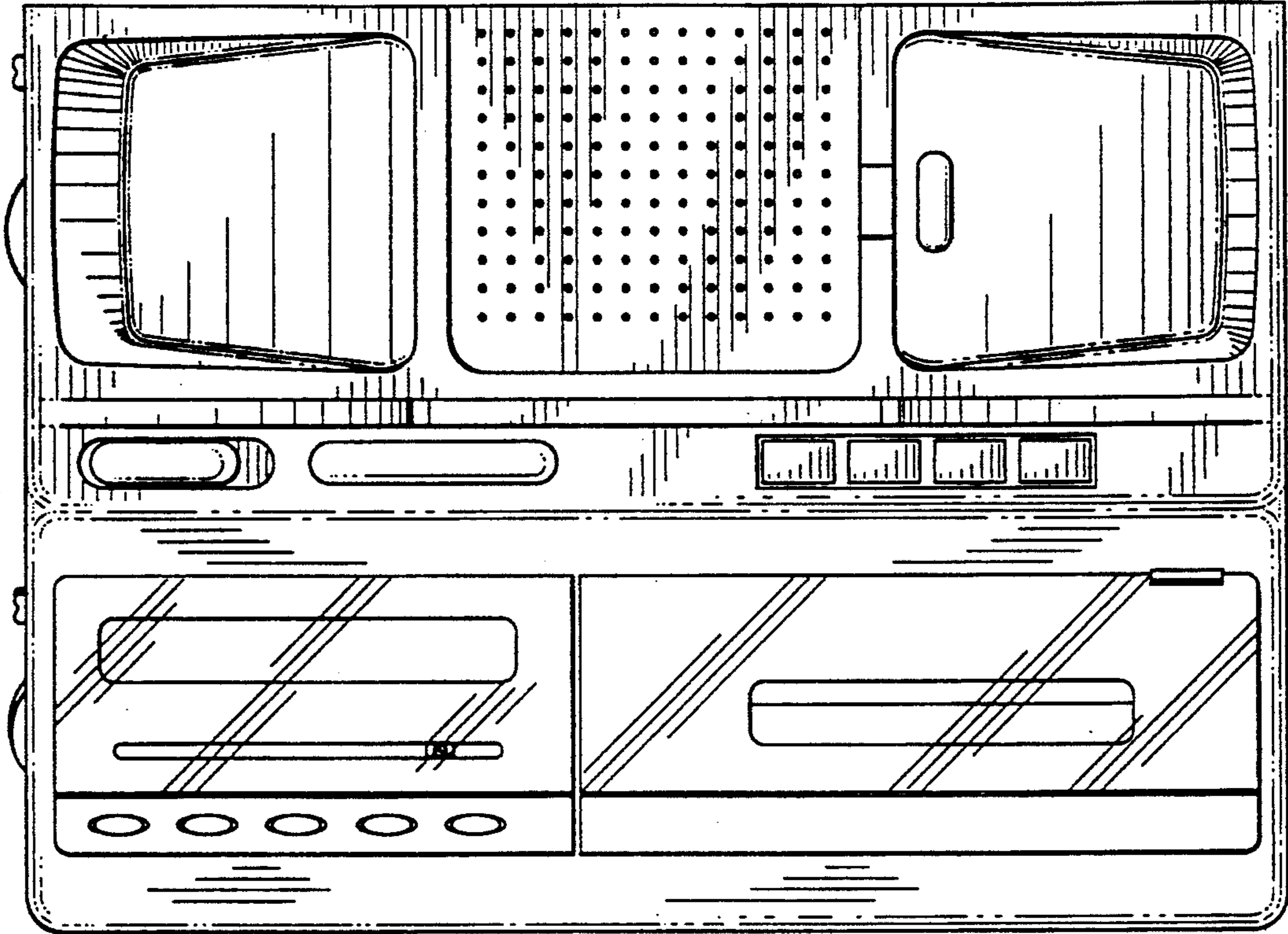


FIG. 3

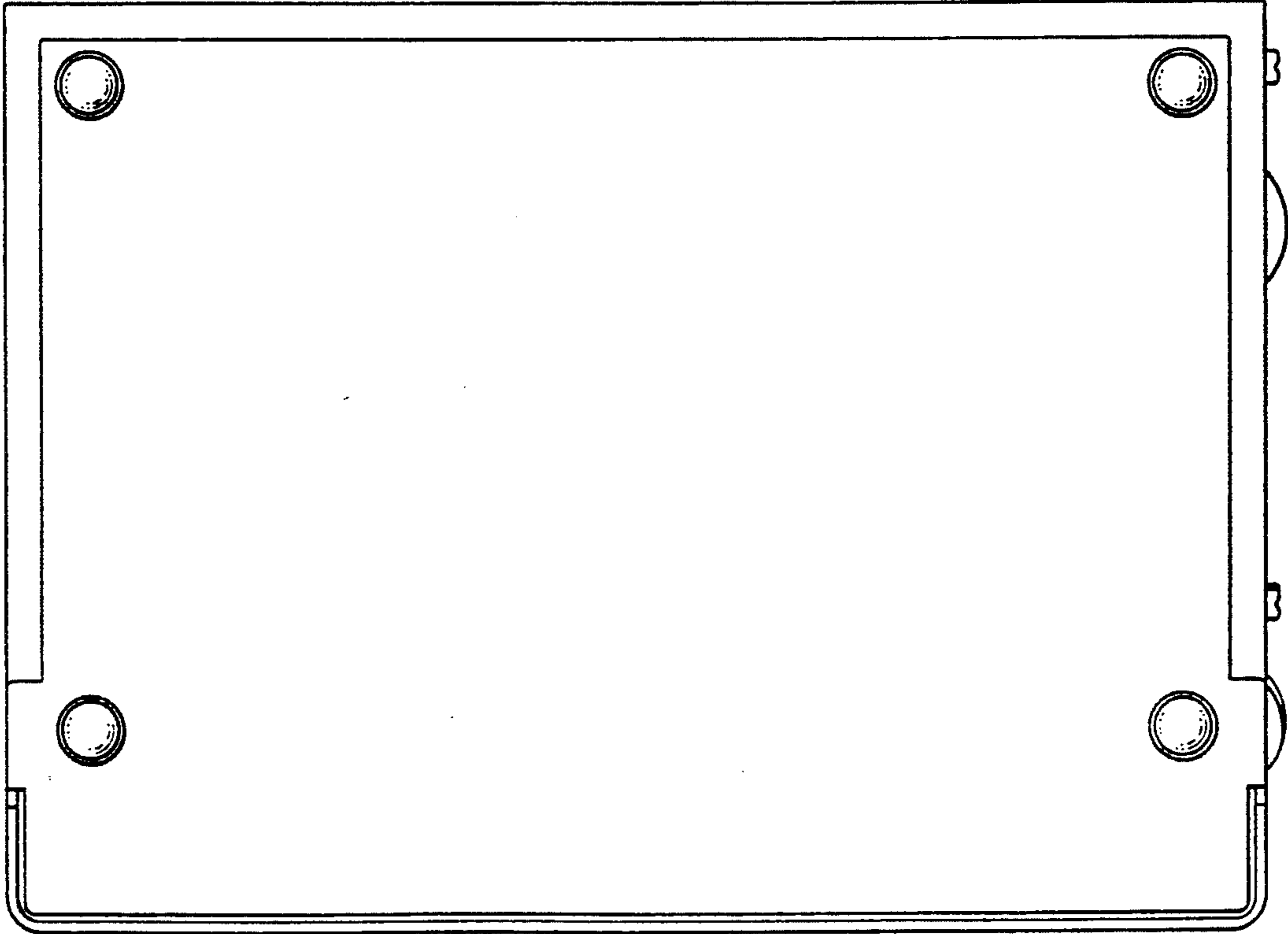


FIG. 4

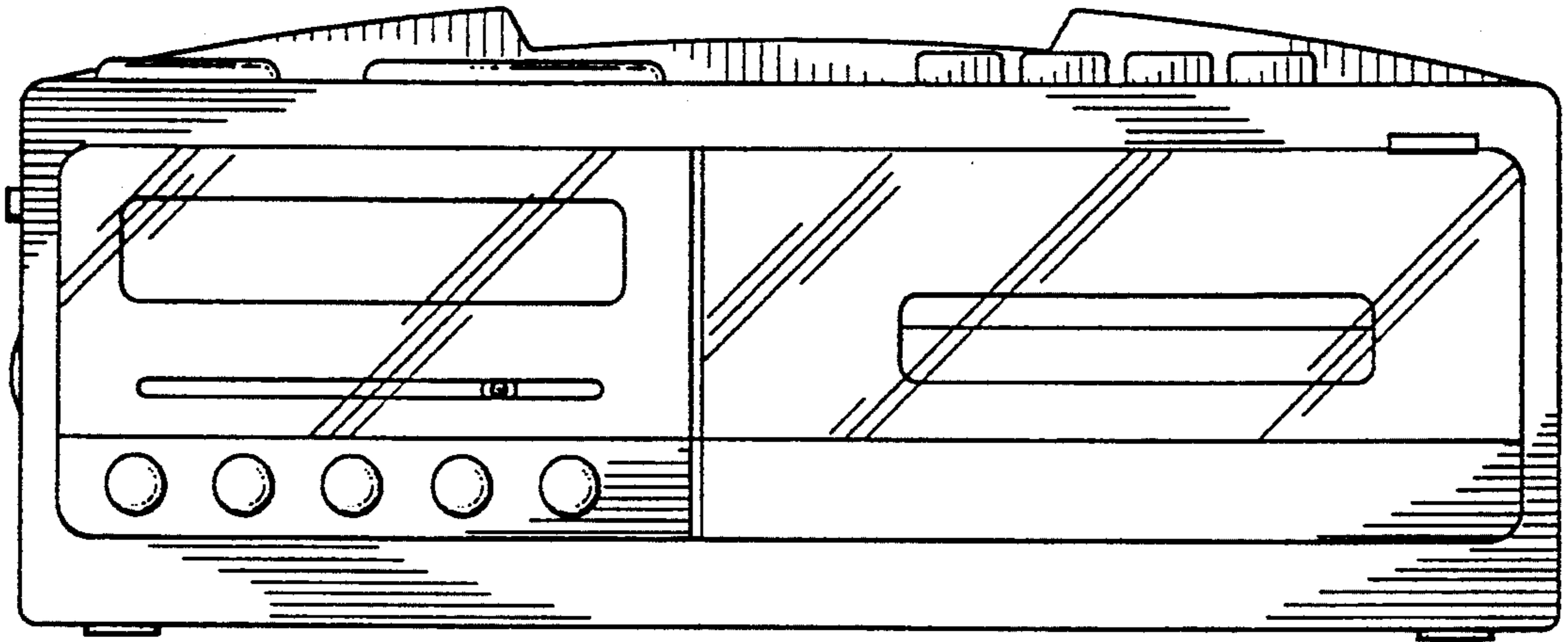


FIG. 5

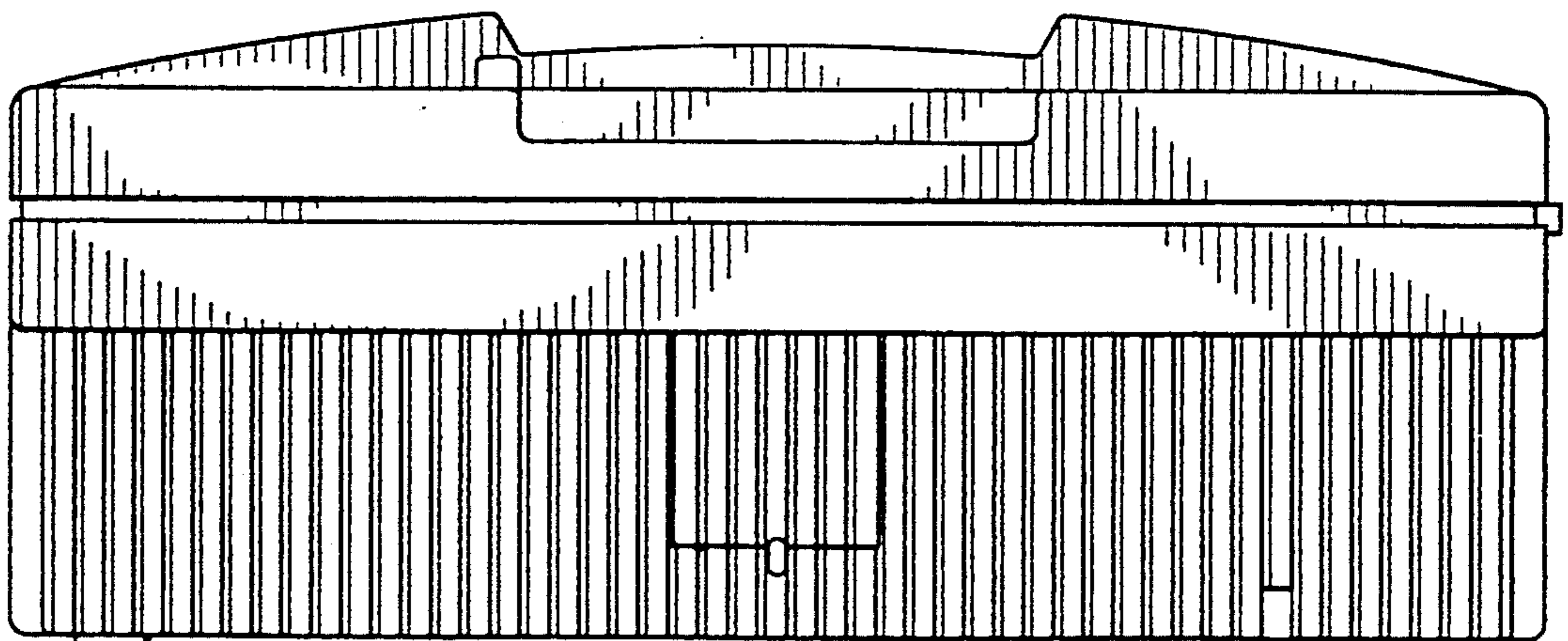


FIG. 6

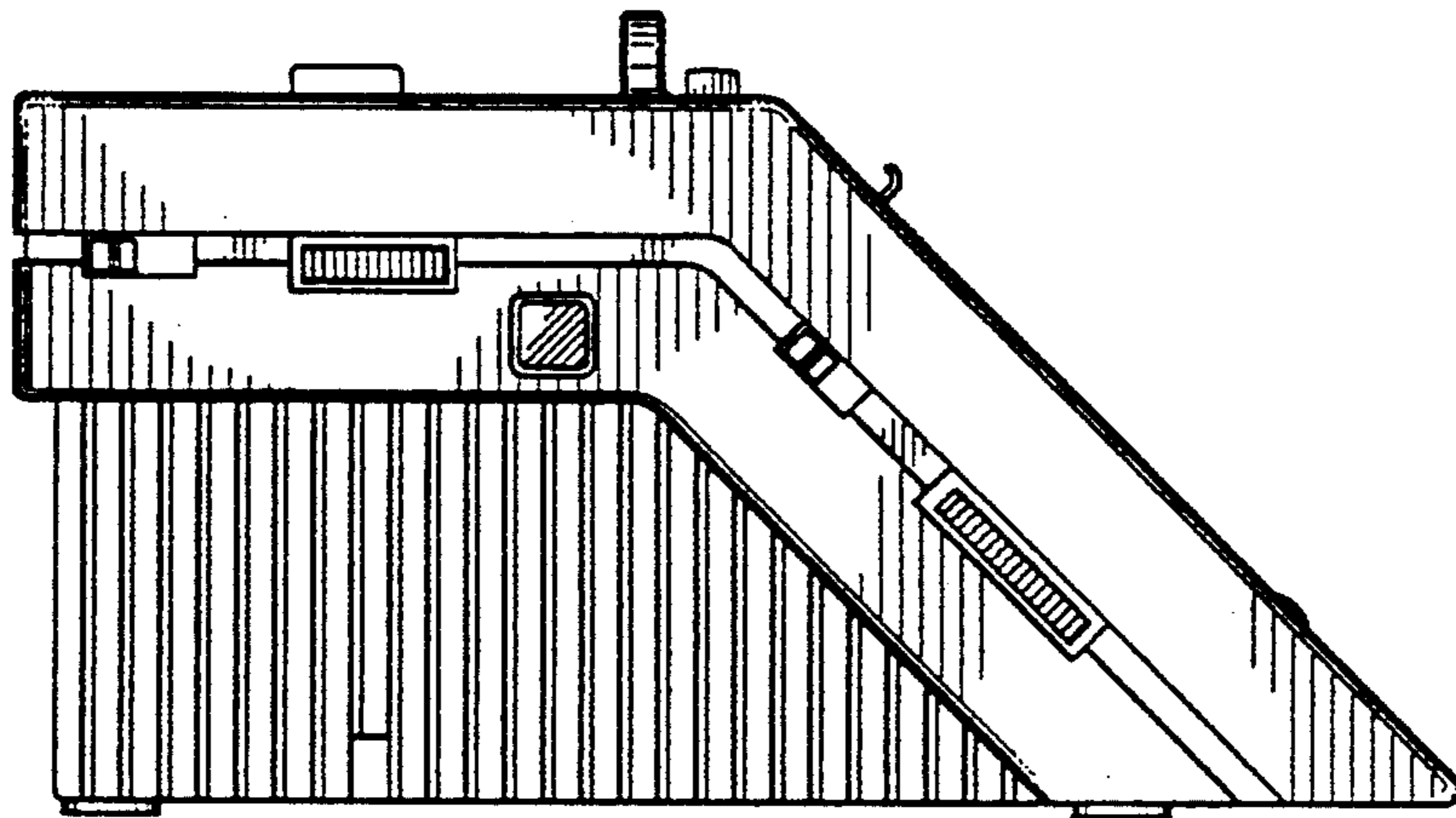


FIG. 7

