



US00D347426S

United States Patent [19]

[11] Patent Number: **Des. 347,426**

Culbertson et al.

[45] Date of Patent: **** May 31, 1994**

[54] **PORTABLE RADIO WITH ATTACHED BATTERY**

| | | | |
|------------|--------|----------------------|-----------|
| D. 302,161 | 7/1989 | Siddoway et al. | D14/137 X |
| D. 324,518 | 3/1992 | Ichimura | D14/137 |
| D. 325,907 | 5/1992 | Dickson | D14/137 |
| 5,146,615 | 9/1992 | Hodsdon et al. | 455/90 |

[75] Inventors: **Richard Culbertson; Steven L. Sands,** both of Lynchburg; **Ralph R. Sherman,** Campbell, all of Va.

Primary Examiner—Theodore M. Shooman
Attorney, Agent, or Firm—Nixon & Vanderhye

[73] Assignee: **Ericsson GE Mobile Communications Inc.,** Lynchburg, Va.

[57] **CLAIM**

[**] Term: **14 Years**

The ornamental design for a portable radio with attached battery, as shown and described.

[21] Appl. No.: **917,449**

DESCRIPTION

[22] Filed: **Jul. 23, 1992**

[52] U.S. Cl. **D14/137**

[58] Field of Search **455/73, 89, 90;**
D14/124, 137, 138, 155, 159, 299

FIG. 1 is a top, front and right side elevational view of a portable radio with attached battery according to the present design;

FIG. 2 is a top plan view thereof;

FIG. 3 is a front elevational view thereof;

FIG. 4 is a left side elevational view thereof;

FIG. 5 is a right side elevational view thereof;

FIG. 6 is a rear elevational view thereof; and,

FIG. 7 is a bottom plan view thereof.

[56] **References Cited**

U.S. PATENT DOCUMENTS

| | | | |
|------------|---------|----------------------|---------|
| D. 272,737 | 2/1984 | Coons et al. | D14/137 |
| D. 292,582 | 11/1987 | Schaefer et al. | D14/137 |

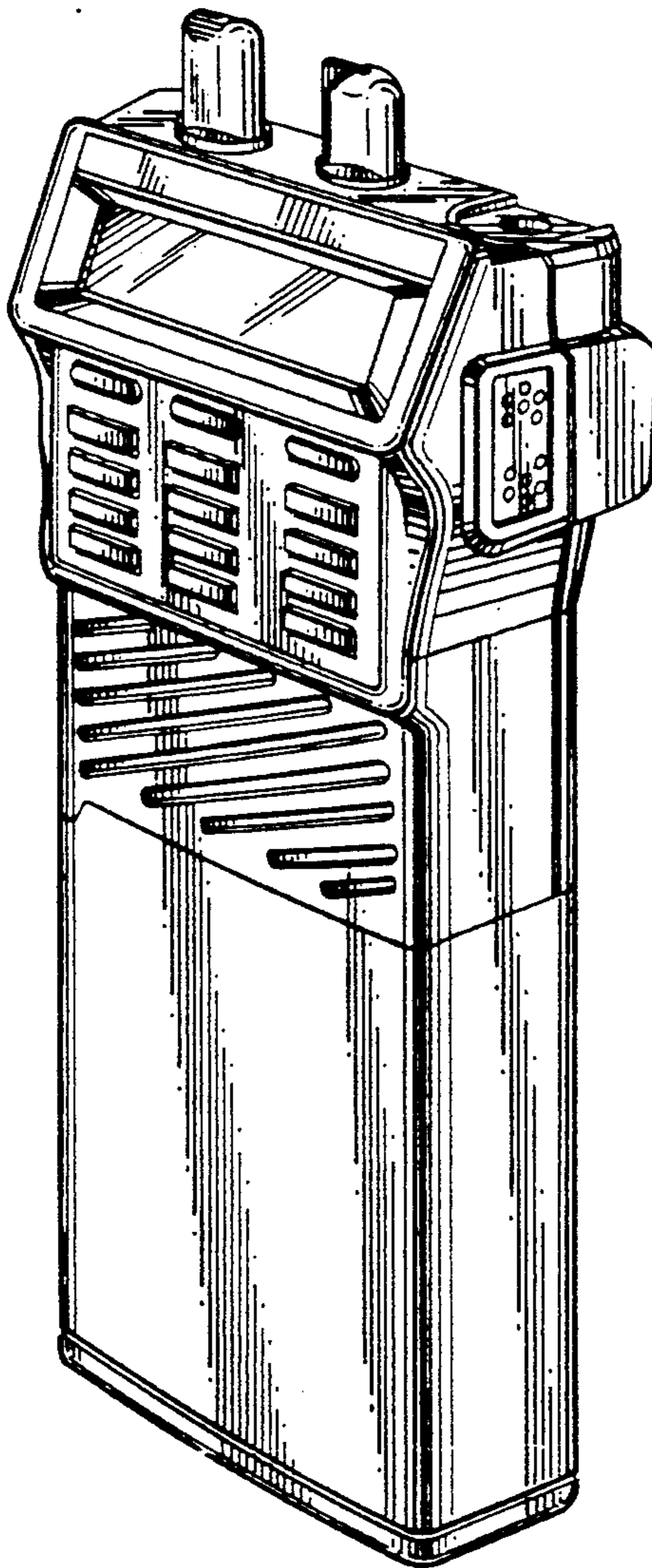


Fig. 1

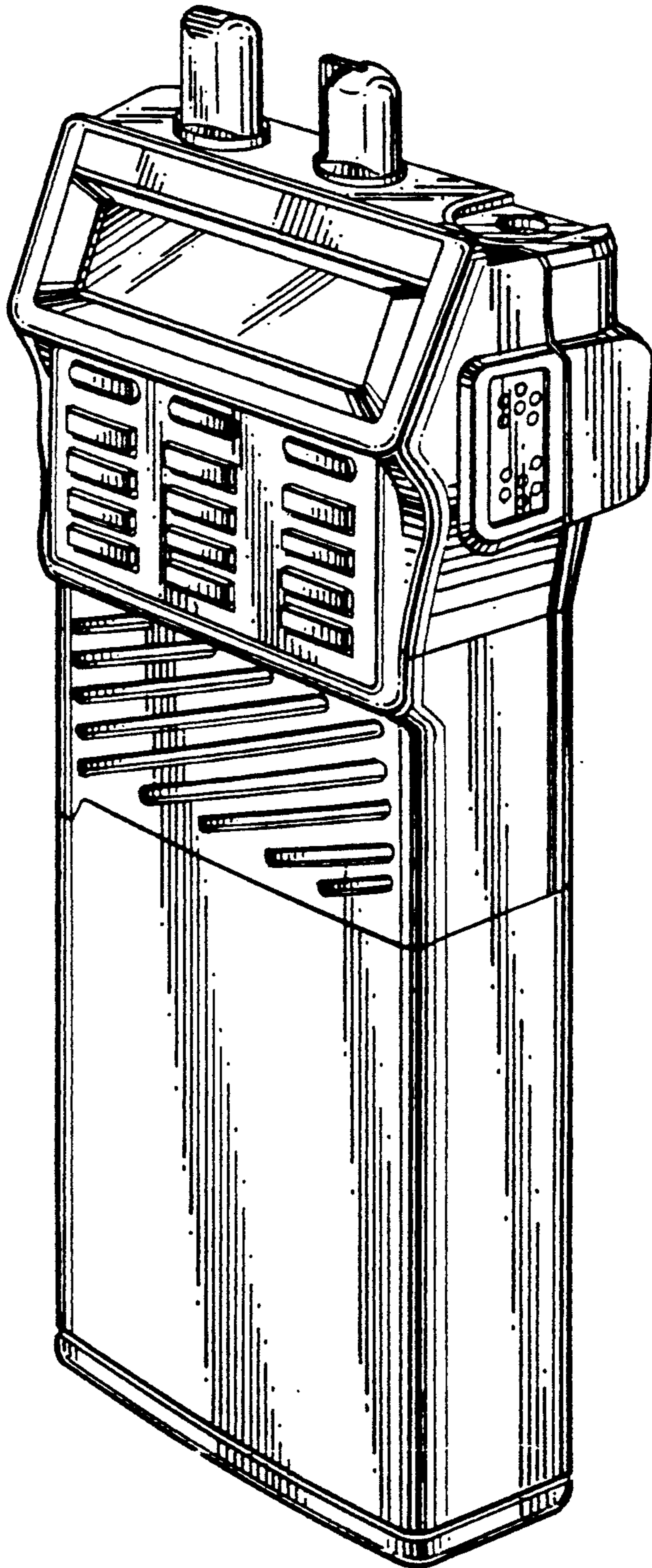


Fig. 2

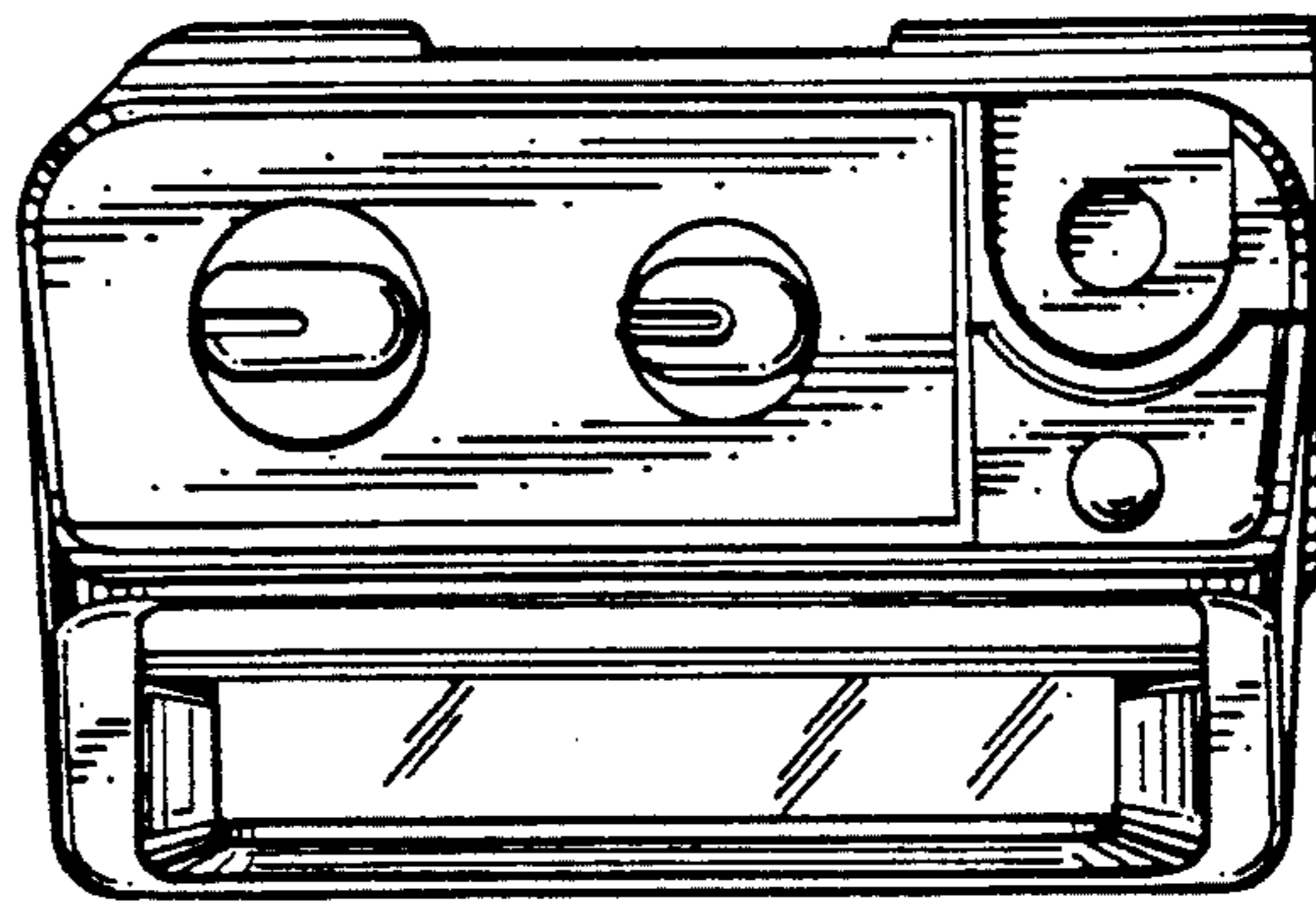


Fig. 3

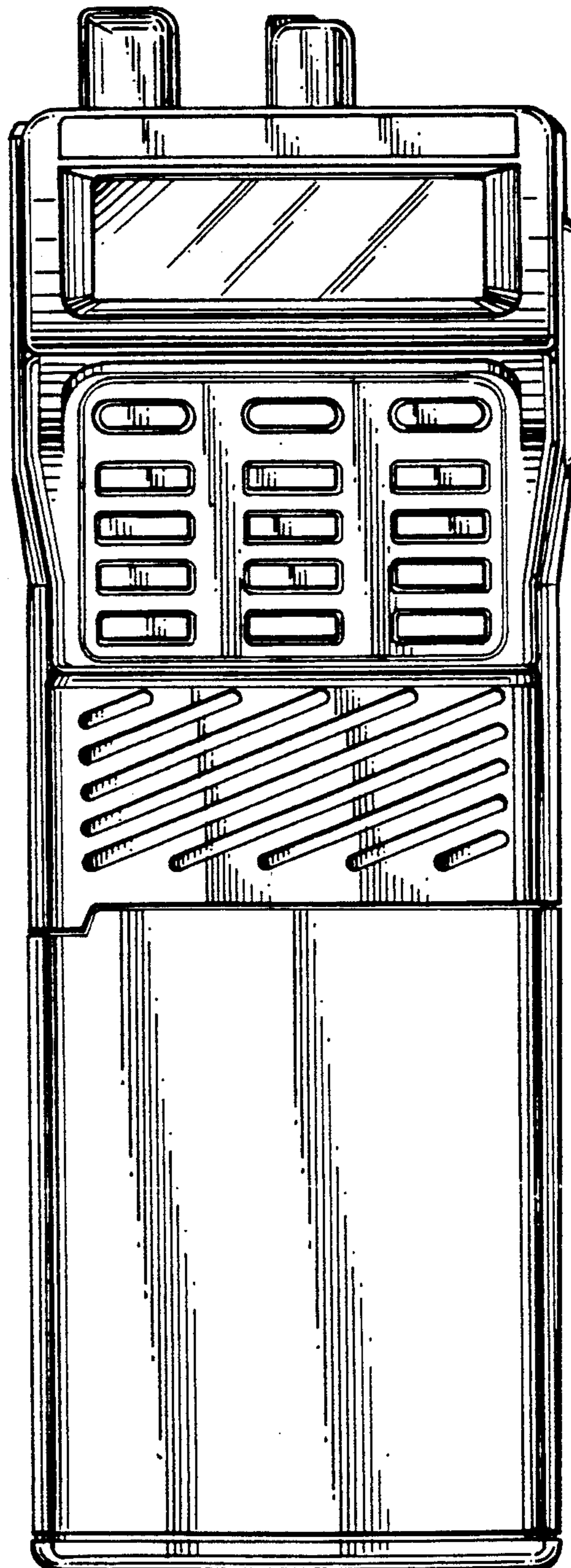


Fig. 4

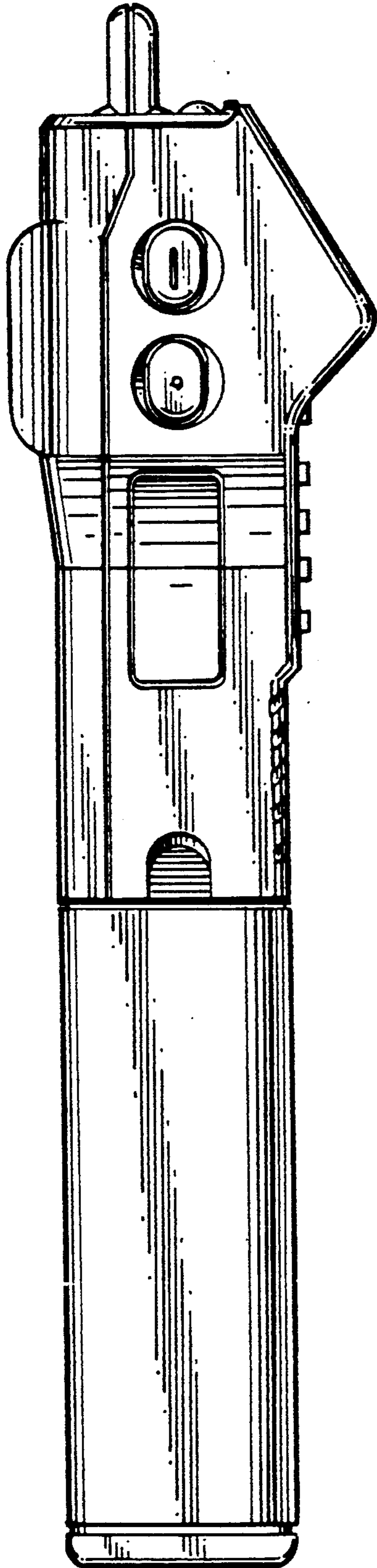


Fig. 5

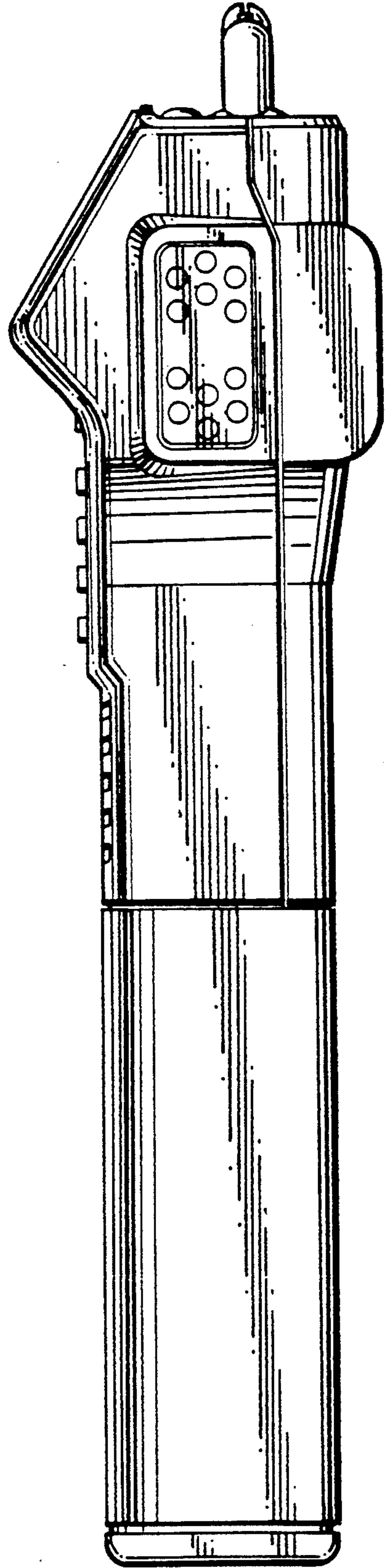


Fig. 6

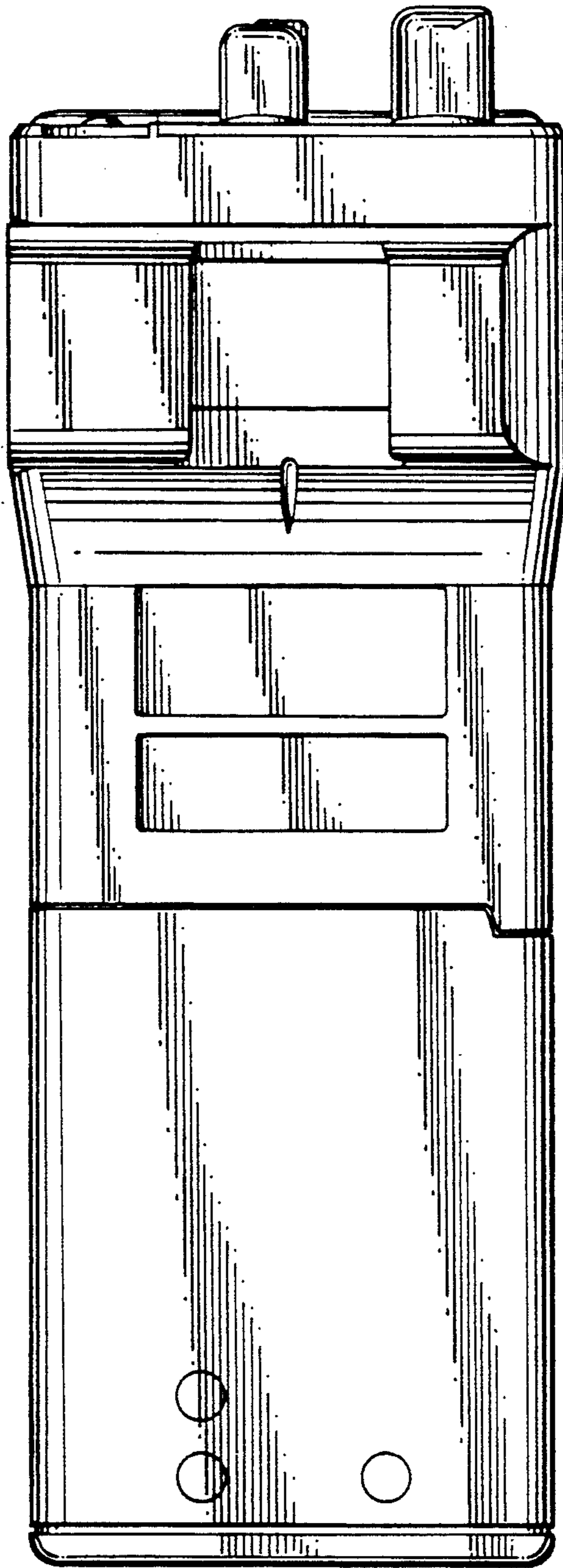


Fig. 7

