



US00D347424S

United States Patent [19]
Hill

[11] **Patent Number: Des. 347,424**

[45] **Date of Patent: ** May 31, 1994**

[54] **VIDEO PROCESSOR TERMINAL**

4,345,276 8/1982 Colomb 358/425
5,258,859 11/1993 Wada et al. 358/400

[75] **Inventor: Kenneth Hill, Webster, N.Y.**

Primary Examiner—B. J. Bullock
Attorney, Agent, or Firm—Rogers & Killeen

[73] **Assignee: Harris Corporation, Melbourne, Fla.**

[**] **Term: 14 Years**

[57] **CLAIM**

[21] **Appl. No.: 916,407**

The ornamental design for a video processor terminal, as shown.

[22] **Filed: Jul. 21, 1992**

DESCRIPTION

[52] **U.S. Cl. D14/125; D14/134**

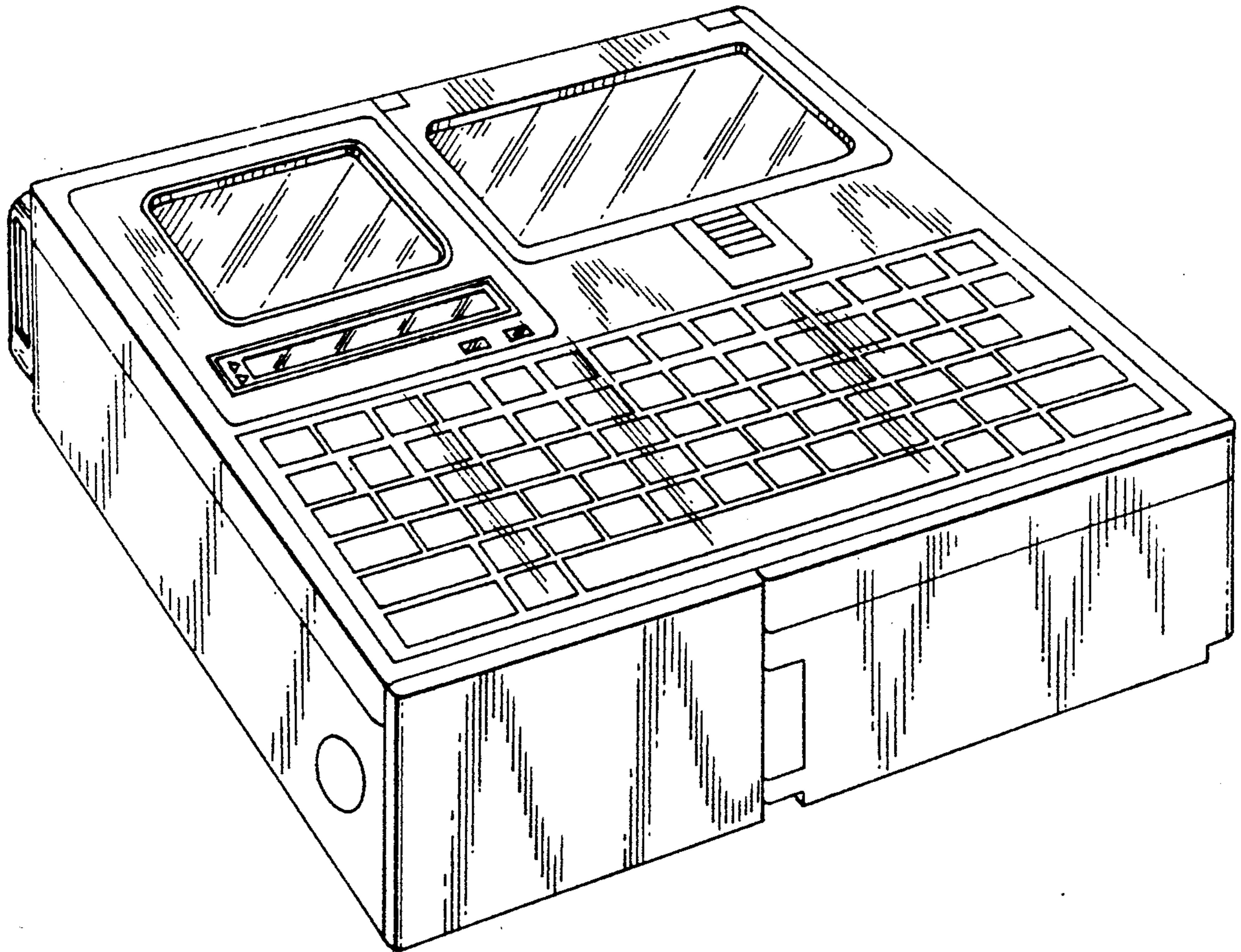
[58] **Field of Search 358/400, 425, 453;
D14/100, 118, 125, 127, 134, 239**

FIG. 1 is a bottom, front perspective view of the video processing terminal showing my new design;
FIG. 2 is a front view thereof;
FIG. 3 is a bottom view thereof;
FIG. 4 is a top view thereof;
FIG. 5 is a left side view thereof;
FIG. 6 is a right side view thereof; and,
FIG. 7 is a rear view thereof.

[56] **References Cited**

U.S. PATENT DOCUMENTS

D. 314,963 2/1991 Best et al. D14/137
D. 329,428 9/1992 Yoshida et al. D14/118



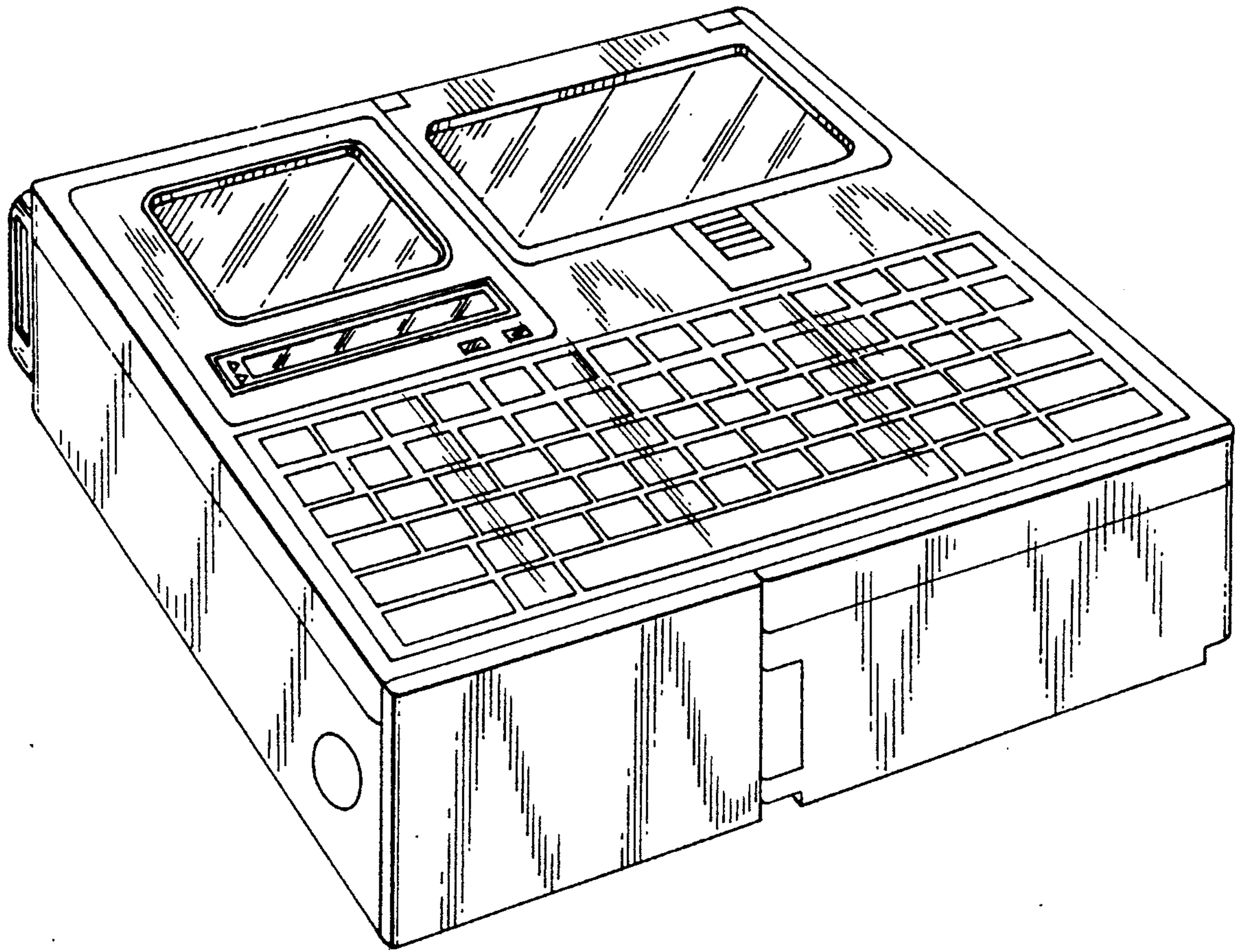


FIG. 1

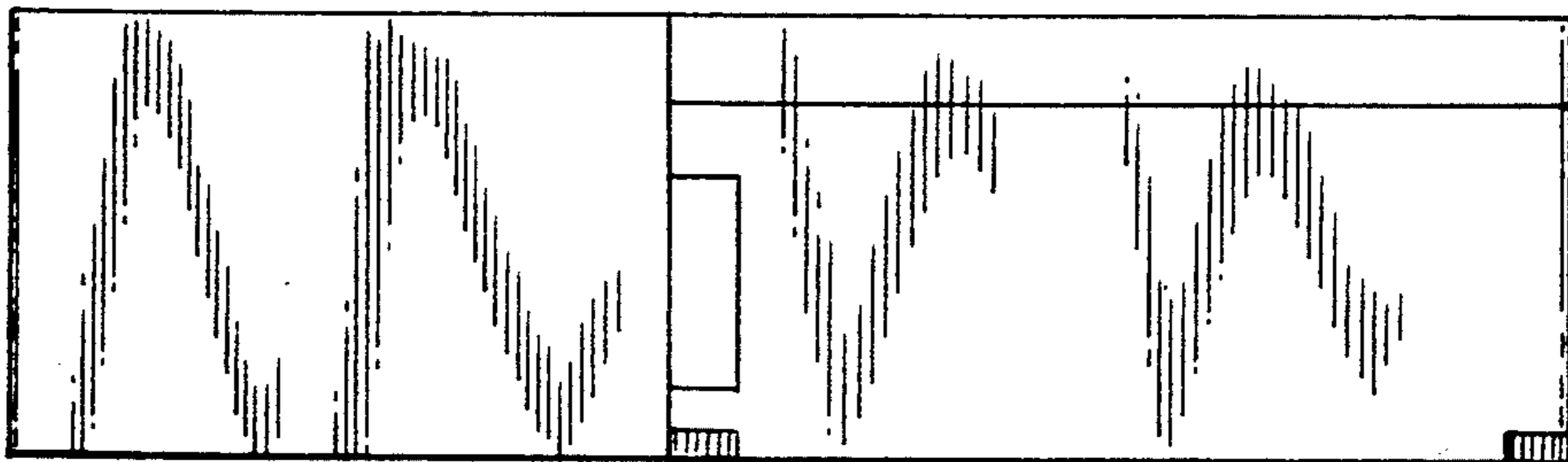


FIG. 3

FIG. 2

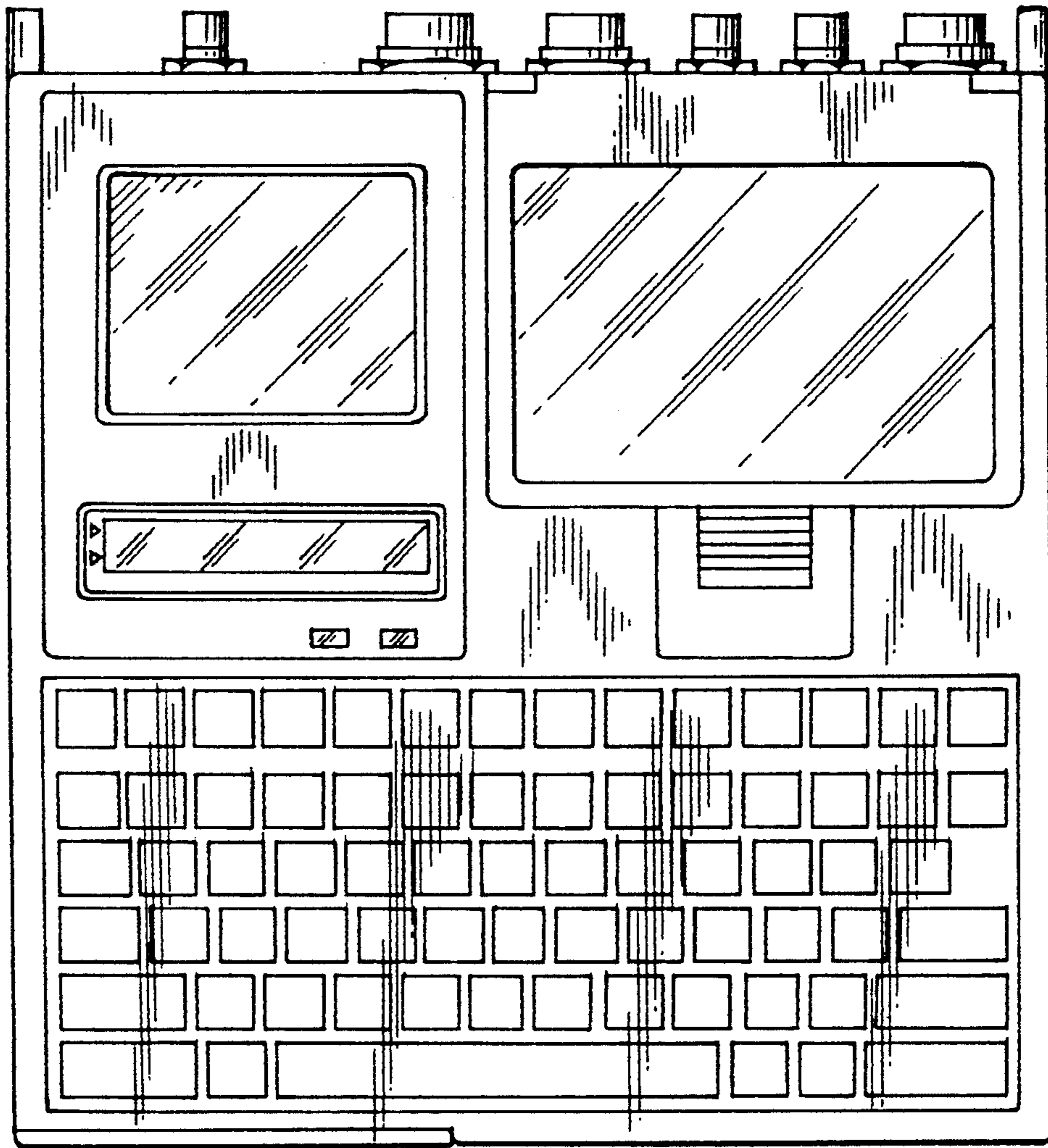
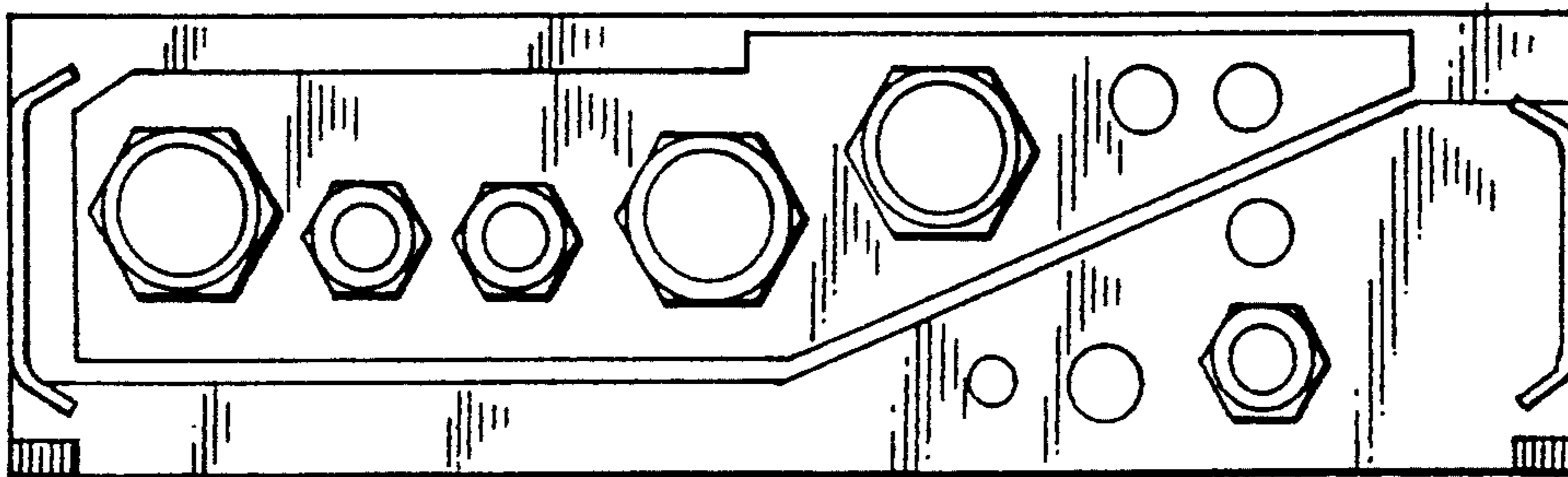


FIG. 4



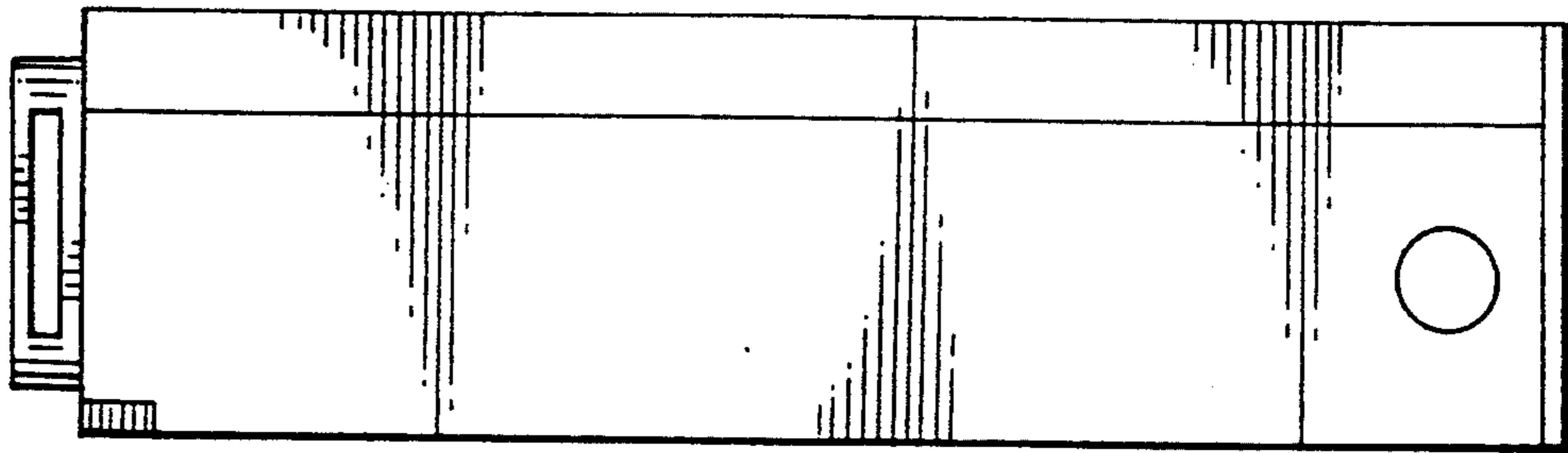


FIG. 5

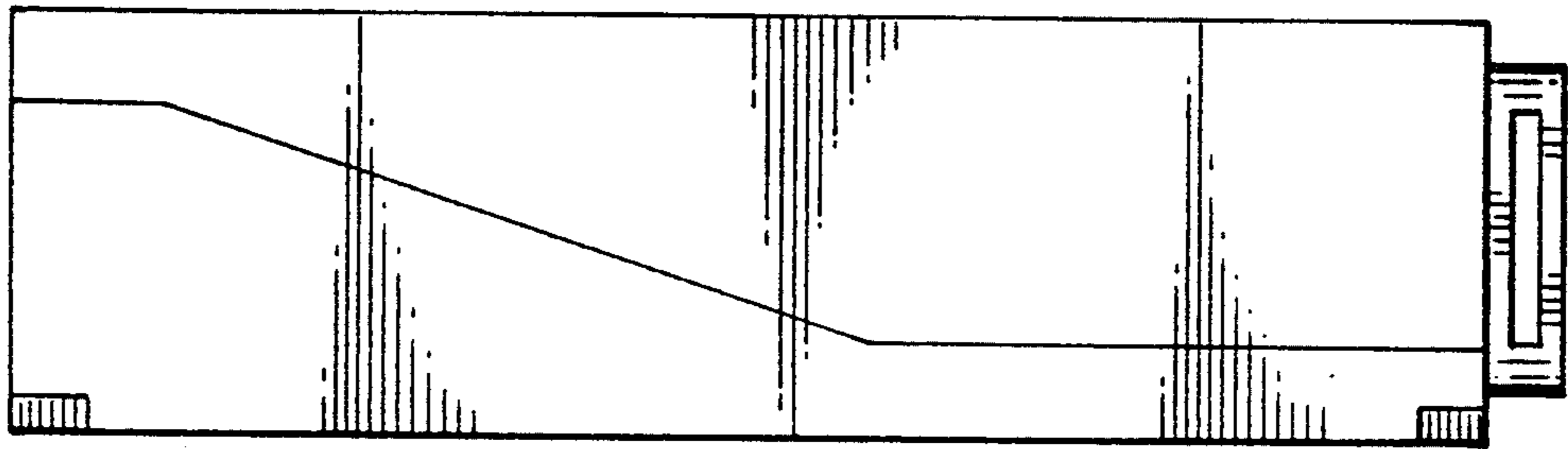


FIG. 6

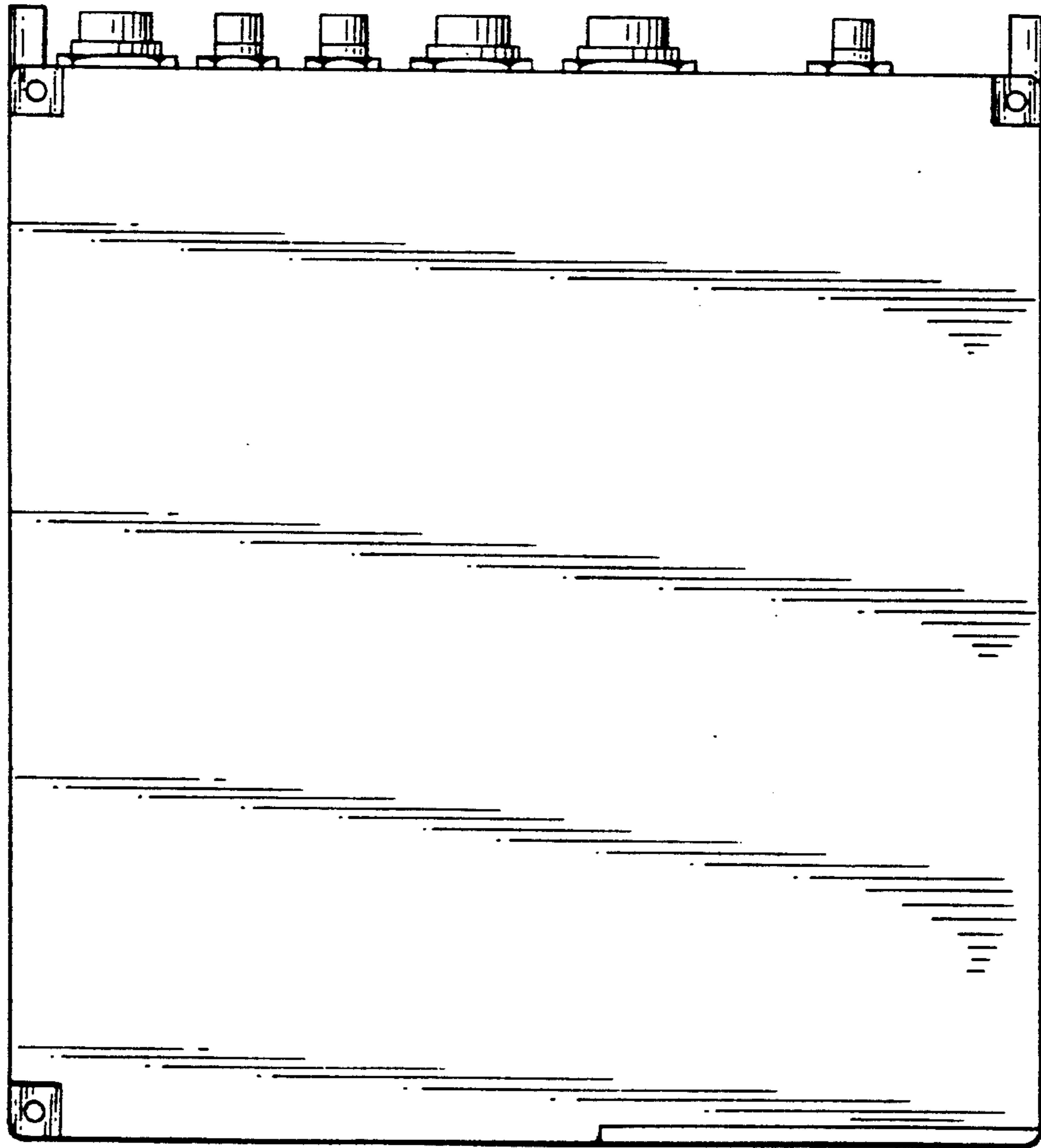


FIG. 7