



US00D347418S

# United States Patent [19]

[11] Patent Number: **Des. 347,418**

De Santis et al.

[45] Date of Patent: **\*\* May 31, 1994**

[54] SCUBA SCOOTER

3,916,814	11/1975	Bardoni et al.	.....	114/315
4,753,187	6/1988	Galimand	.....	D12/308
4,864,959	9/1989	Takamizawa et al.	.....	114/315
5,105,753	4/1992	Chih et al.	.....	114/315

[75] Inventors: **Albert De Santis, Margate; Morton Lashman, Ft. Lauderdale, both of Fla.**

*Primary Examiner*—Kay H. Chin  
*Attorney, Agent, or Firm*—M. K. Silverman

[73] Assignee: **Mode Industries Inc., Ft. Lauderdale, Fla.**

[57] **CLAIM**

[\*\*] Term: **14 Years**

The ornamental design for a scuba scooter, as shown and described.

[21] Appl. No.: **854,960**

[22] Filed: **Mar. 20, 1992**

### DESCRIPTION

[52] U.S. Cl. .... **D12/308**

FIG. 1 is a top perspective view of a scuba scooter showing my new design;

[58] Field of Search ..... 114/312, 315; D12/300, D12/308

FIG. 2 is a right side elevational view thereof, the left side being a mirror image of that shown;

FIG. 3 is a front elevational view thereof;

FIG. 4 is a rear elevational view thereof;

FIG. 5 is a top plan view thereof; and,

FIG. 6 is a bottom plan view thereof.

### [56] References Cited

#### U.S. PATENT DOCUMENTS

D. 242,615	12/1976	Henning	.....	D12/308
D. 323,808	2/1992	De Santis	.....	D12/300

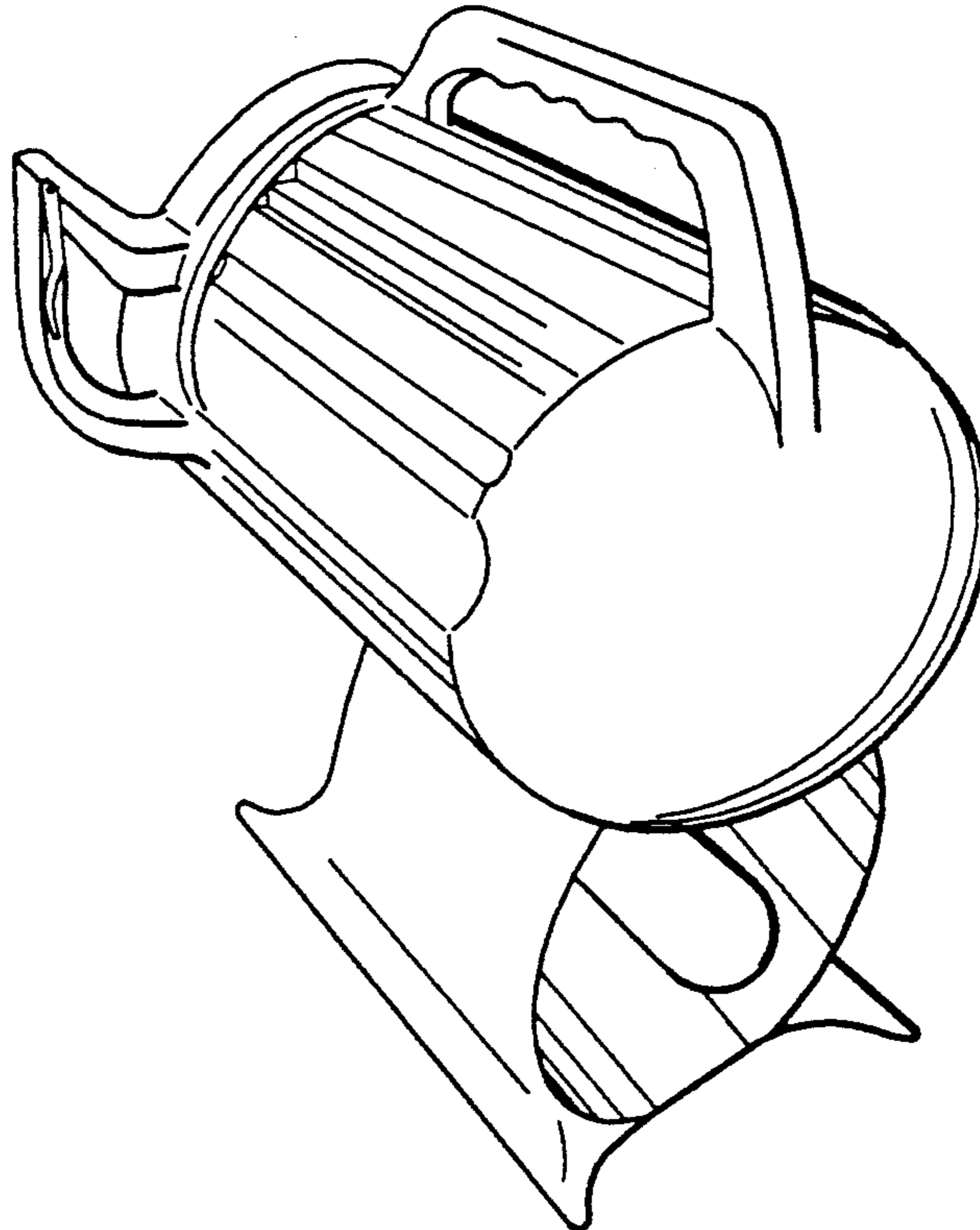


FIG. 1.

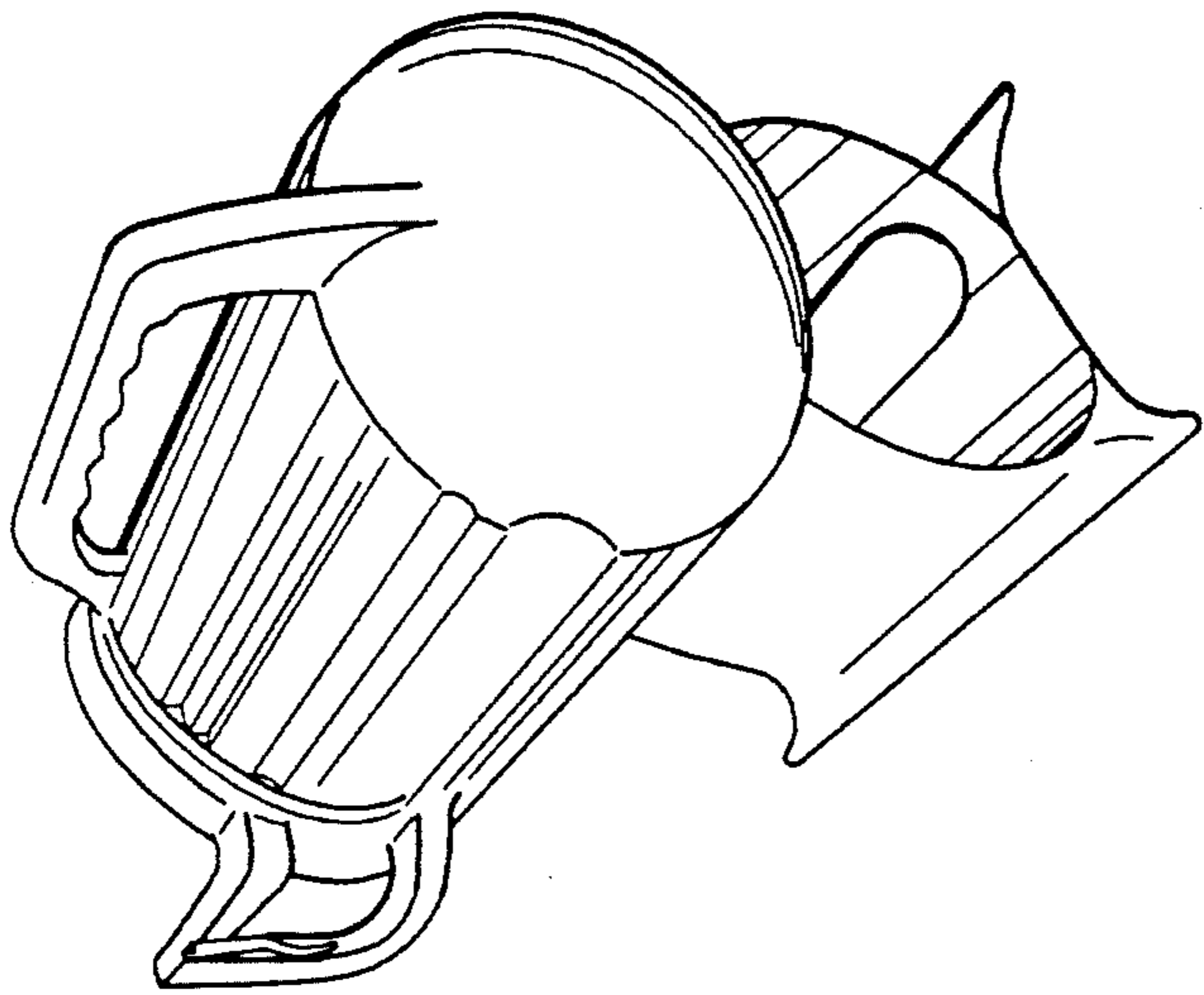


FIG. 2.

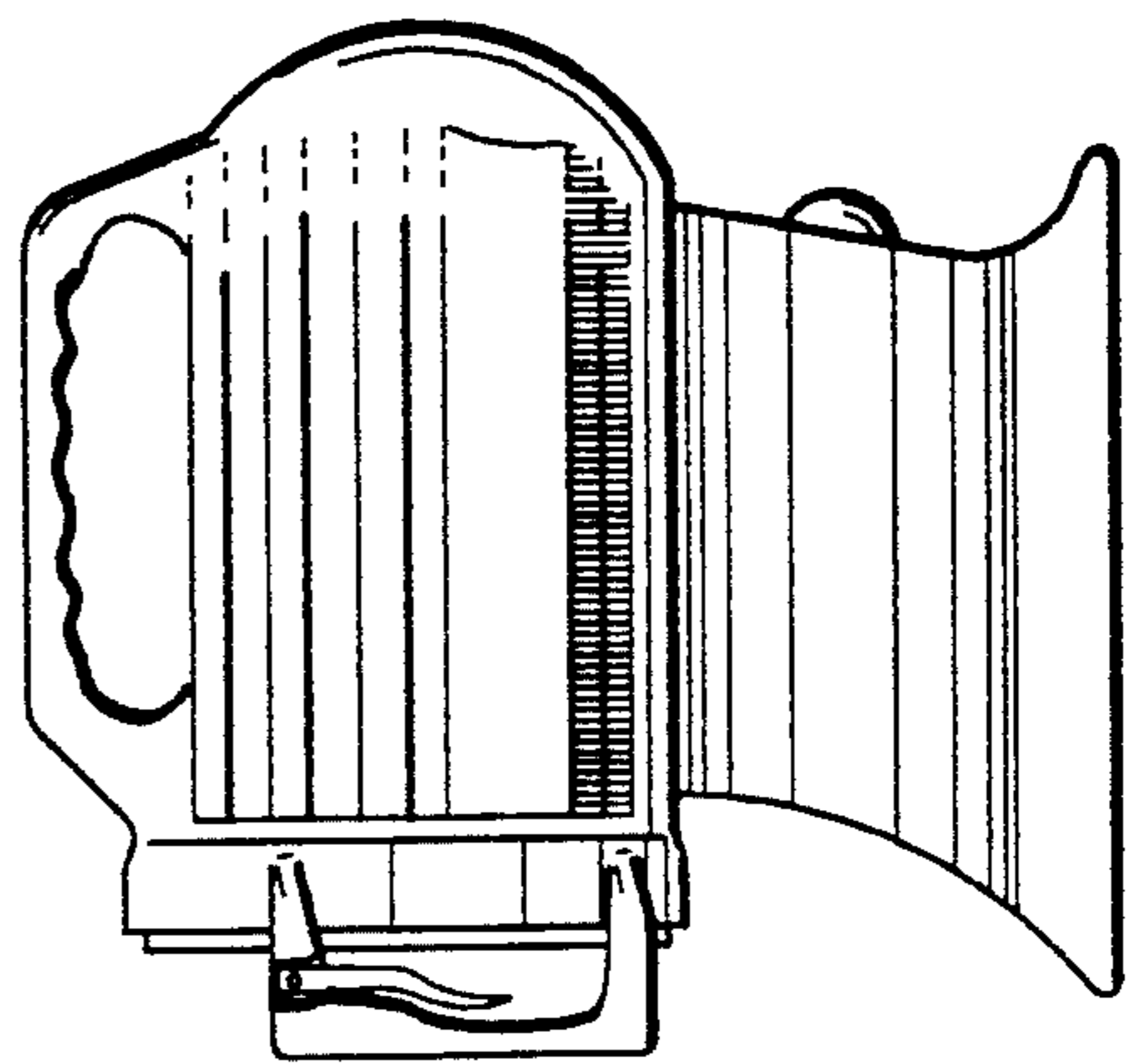


FIG. 3.

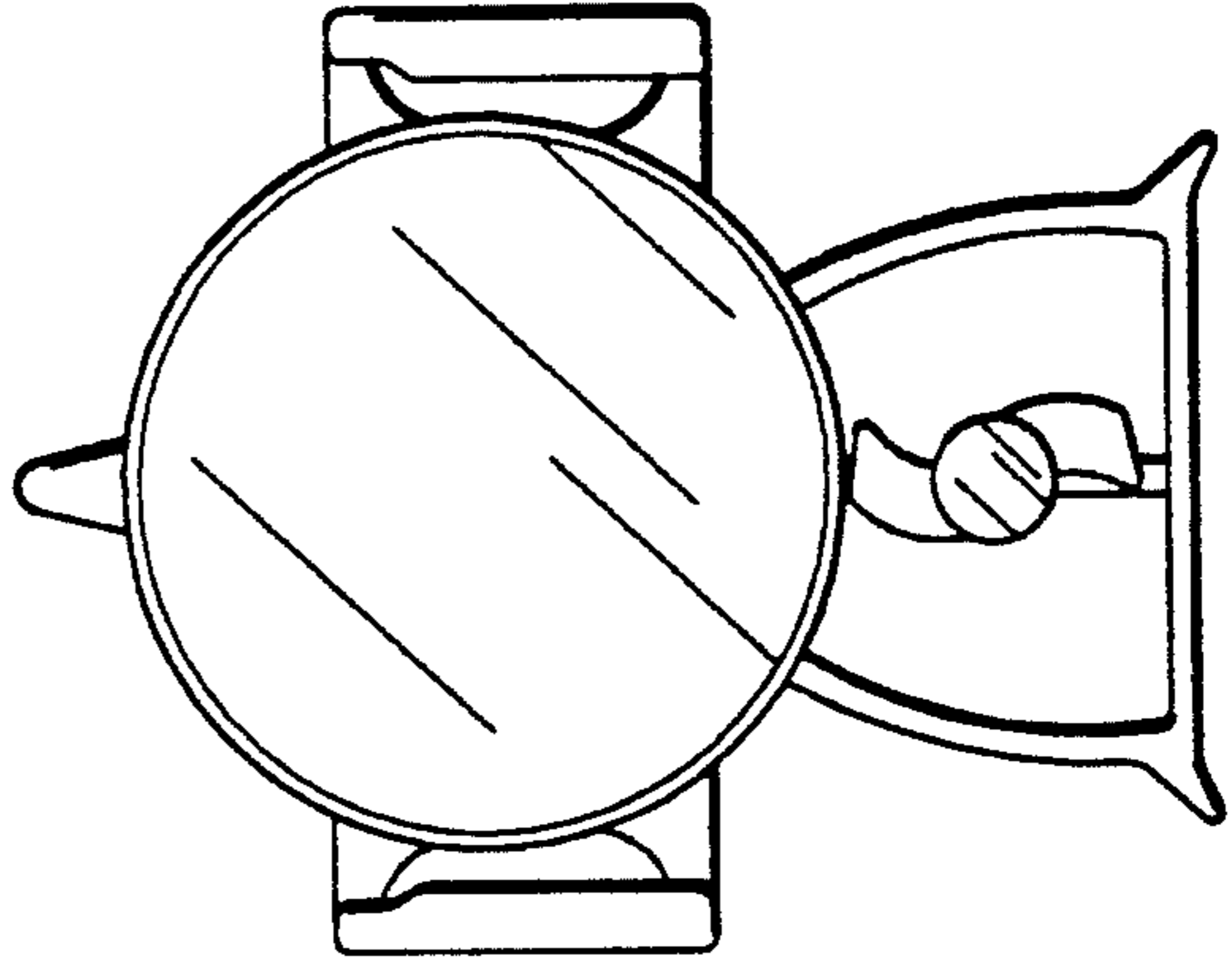


FIG. 4.

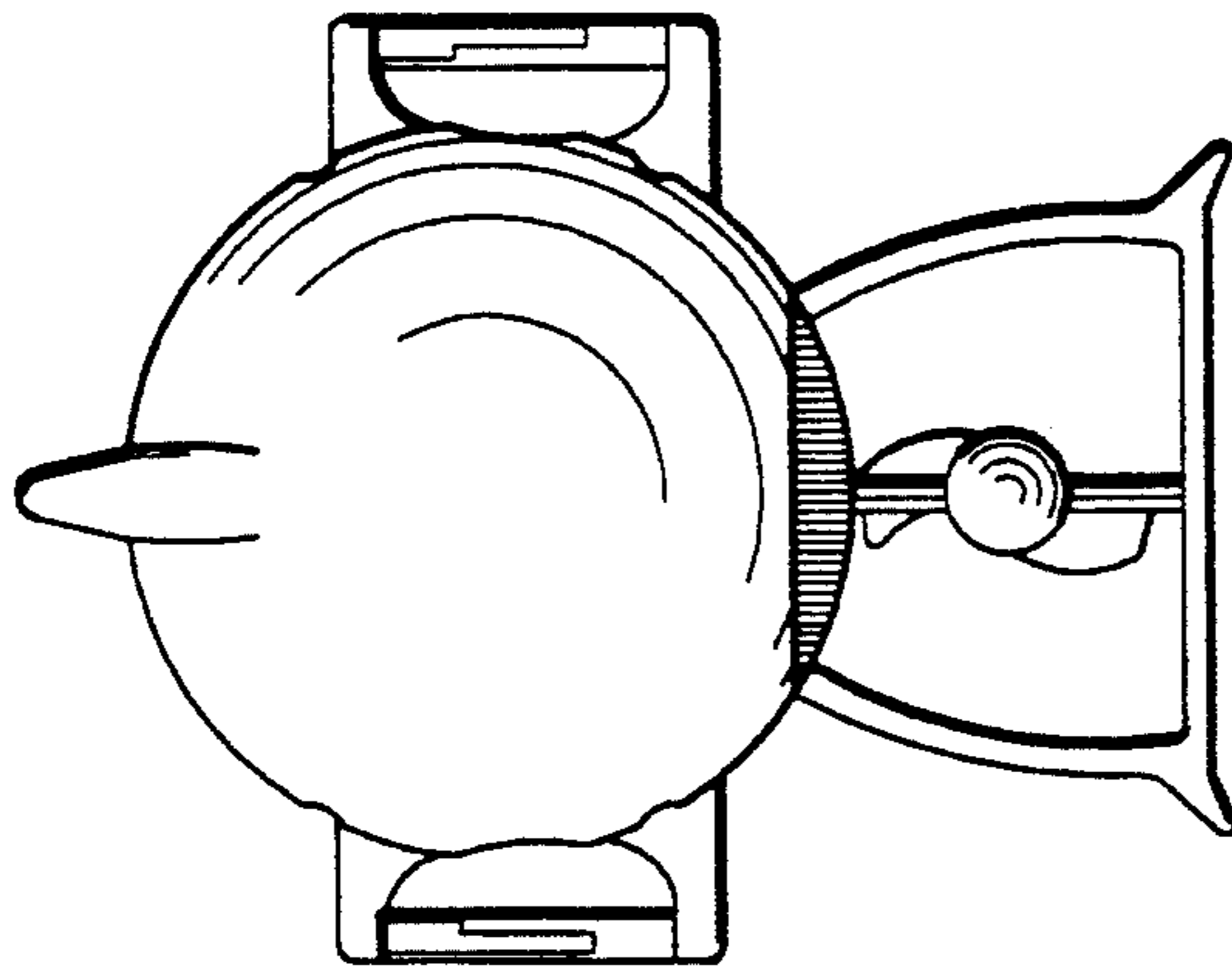


FIG. 5.

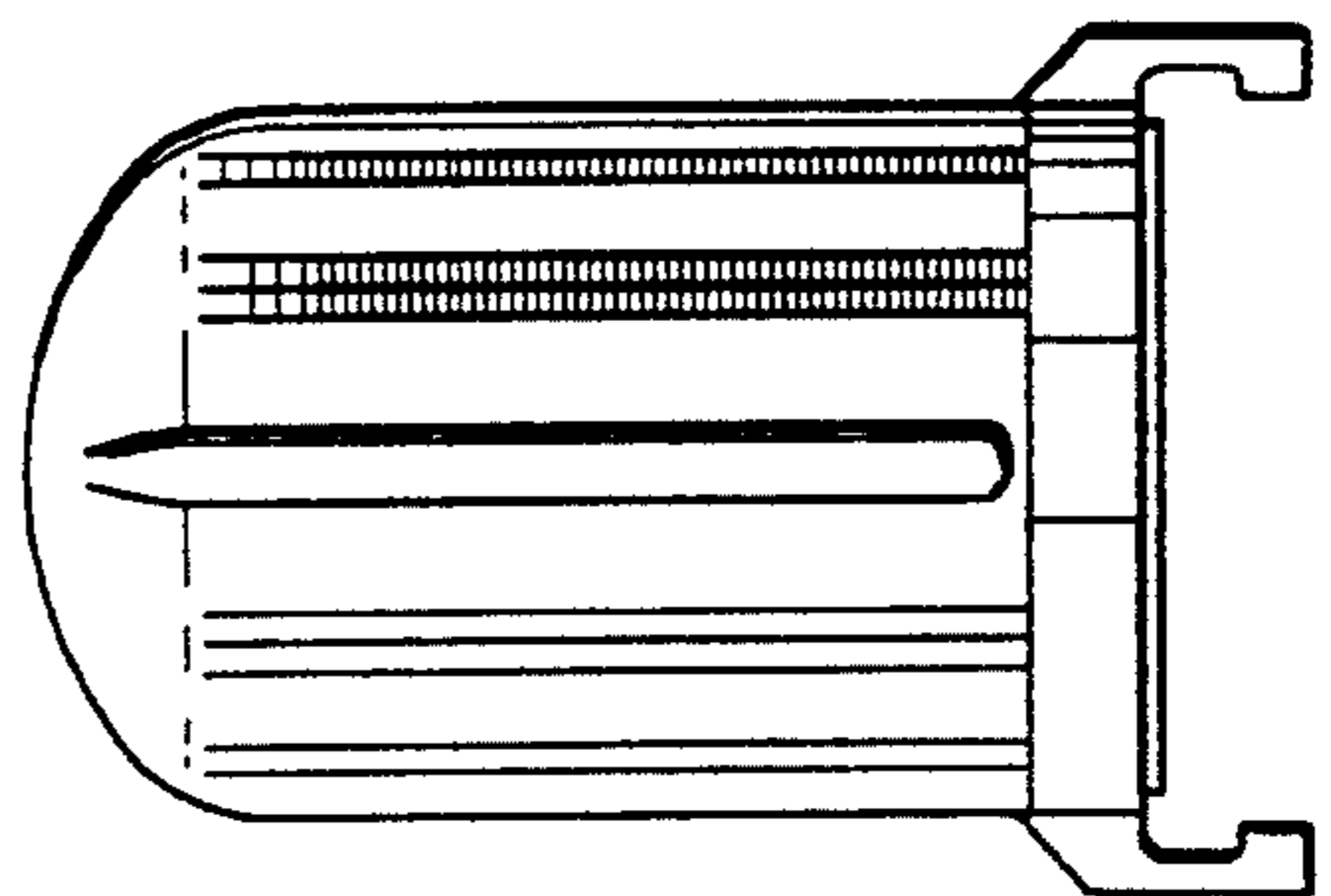


FIG. 6.

