



US00D347416S

United States Patent [19]

[11] Patent Number: **Des. 347,416**

Hu

[45] Date of Patent: **** May 31, 1994**

[54] **DECORATIVE FRAME FOR LICENSE PLATE**

[76] Inventor: **Ming-Liang Hu, #8, Alley 18, Lane 149, Su Wei St., Yung Kang Hsiang, Tainan Hsien, Taiwan**

[**] Term: **14 Years**

[21] Appl. No.: **920,629**

[22] Filed: **Jul. 28, 1992**

[52] U.S. Cl. **D12/193**

[58] Field of Search **D6/300, 306, 310, 311; 40/200, 209; D12/193**

[56] **References Cited**

U.S. PATENT DOCUMENTS

- D. 35,831 4/1902 Goette D6/306
- D. 298,023 10/1988 Corey D12/193
- D. 307,520 5/1990 Ilaria et al. D6/300

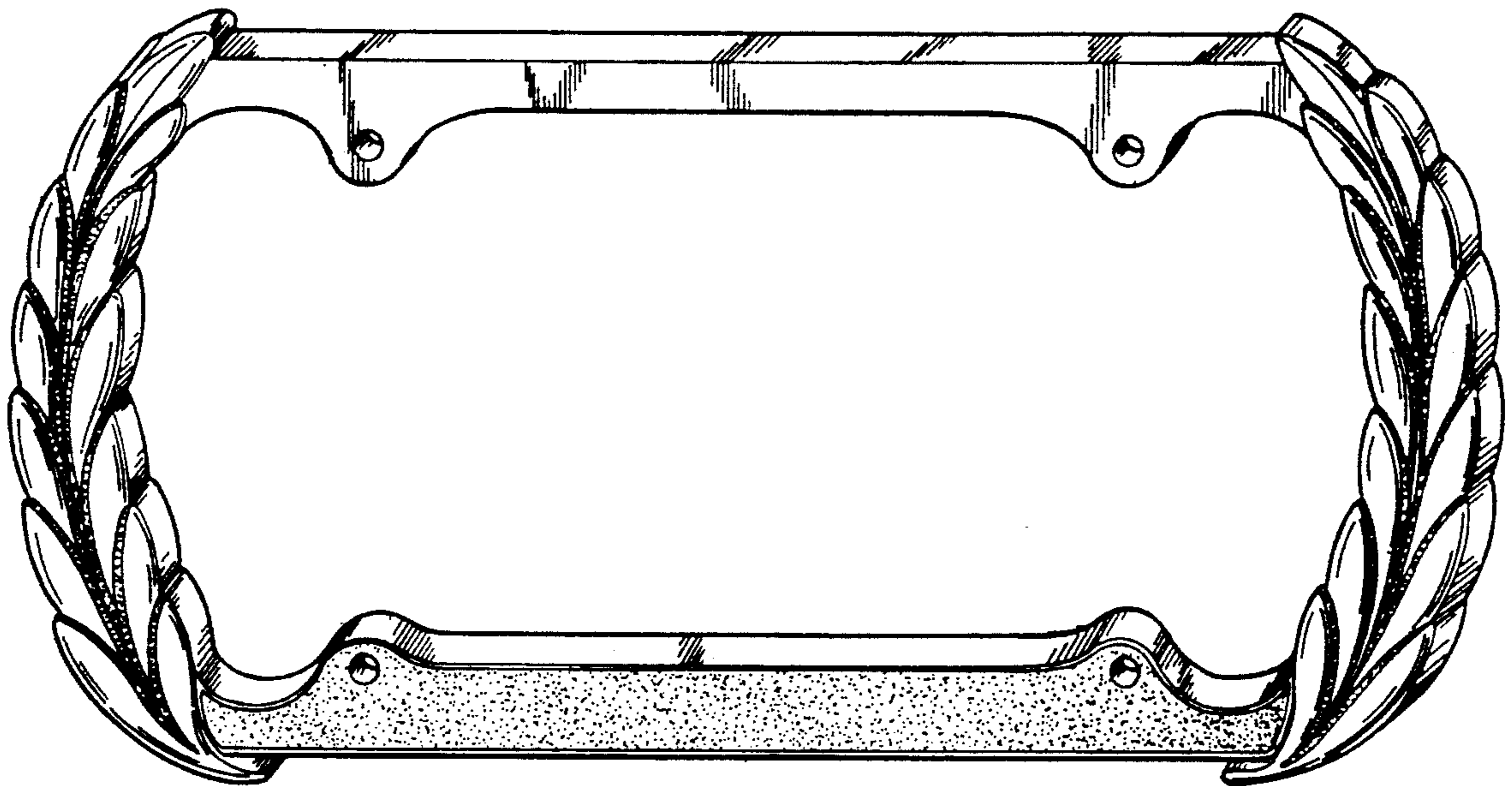
Primary Examiner—James M. Gandy
Attorney, Agent, or Firm—Morton J. Rosenberg; David I. Klein

[57] **CLAIM**

The ornamental design for a decorative frame for license plate, as shown and described.

DESCRIPTION

FIG. 1 is a perspective view of a decorative frame for license plate showing my new design;
 FIG. 2 is a front view thereof on a reduced scale;
 FIG. 3 is a rear elevational view thereof on a reduced scale;
 FIG. 4 is a left side elevational view thereof on a reduced scale;
 FIG. 5 is a right side elevational view thereof on a reduced scale;
 FIG. 6 is a top plan view thereof on a reduced scale;
 and,
 FIG. 7 is a bottom plan view thereof on a reduced scale.



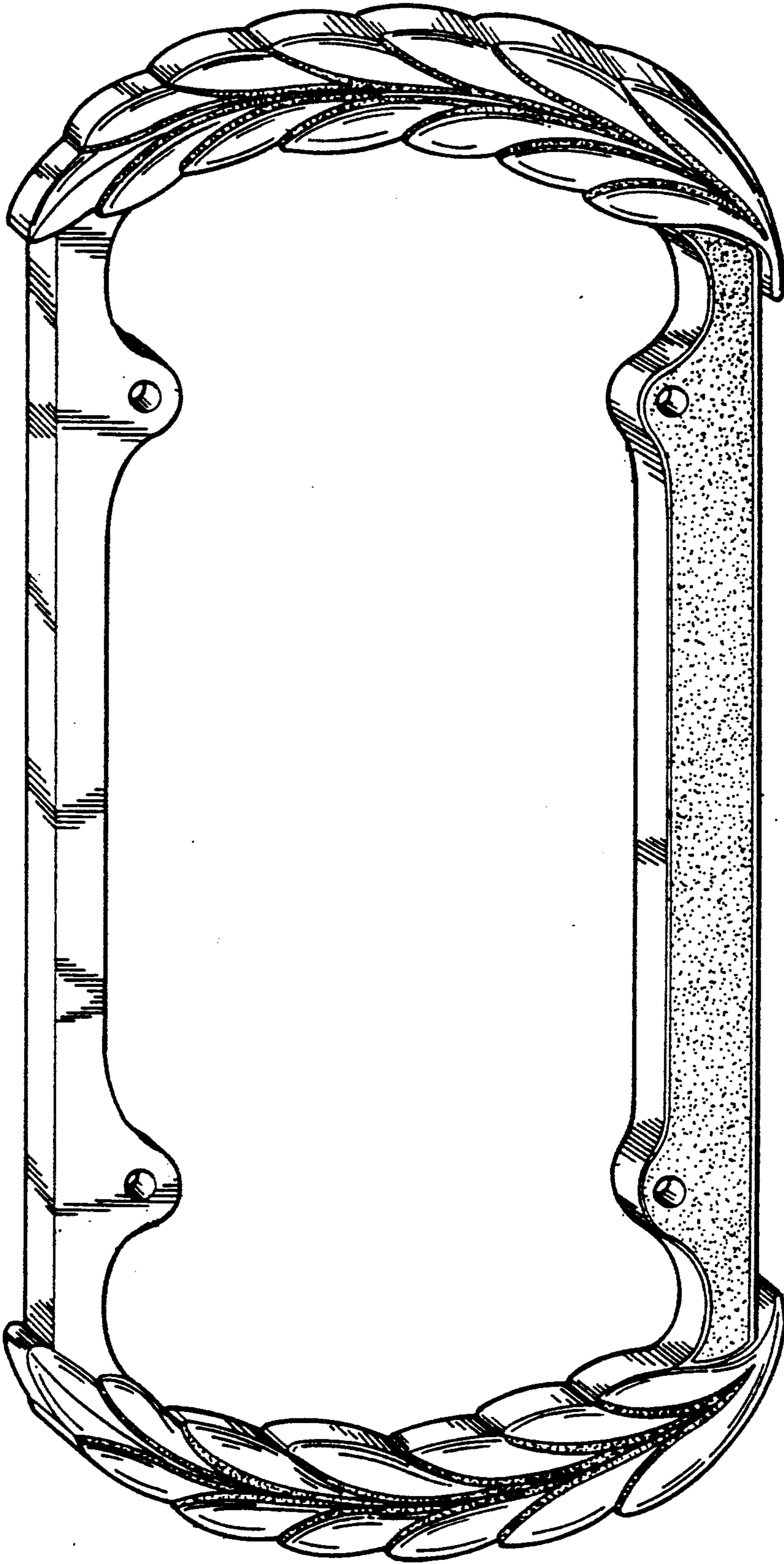


FIG. 1

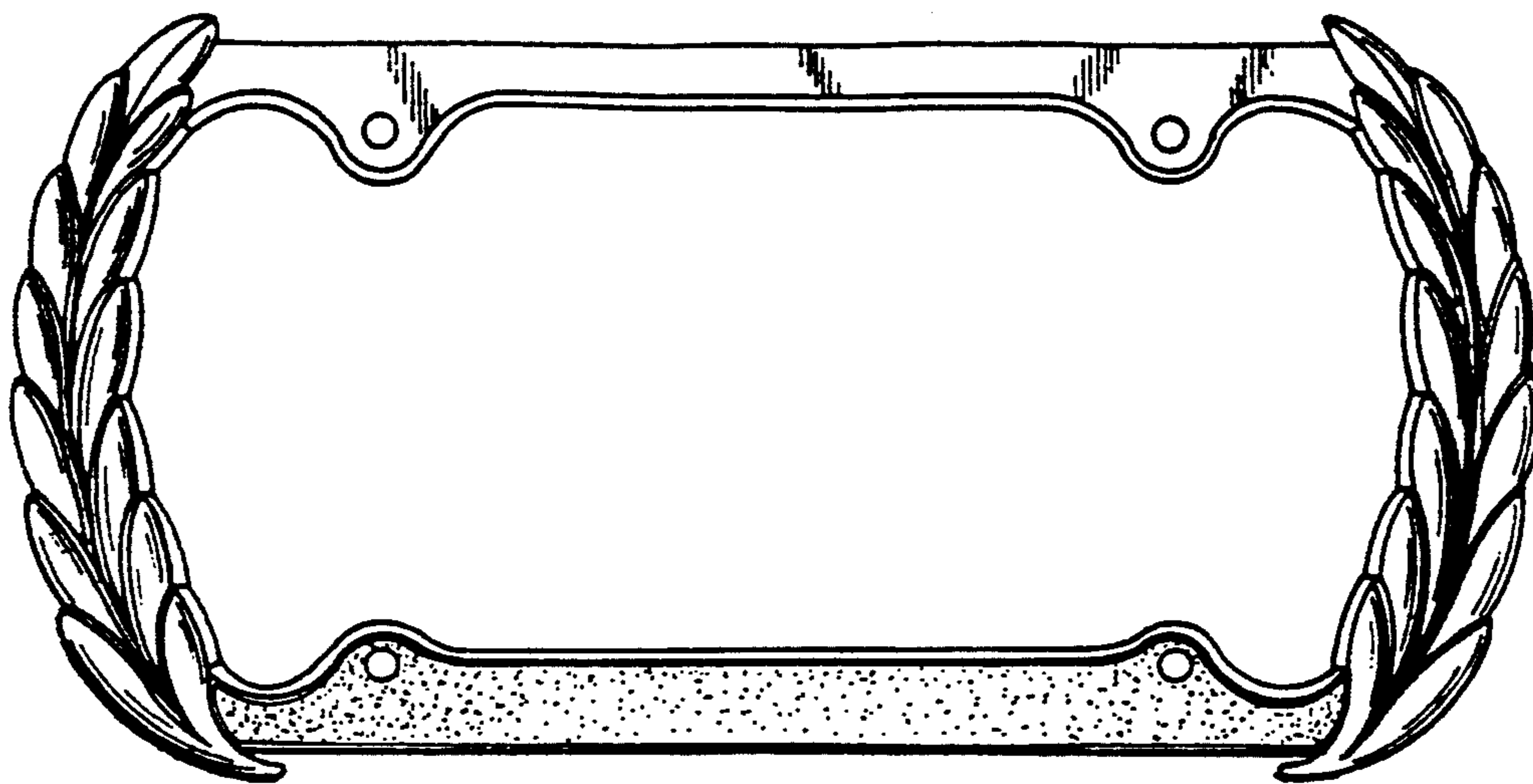


FIG. 2

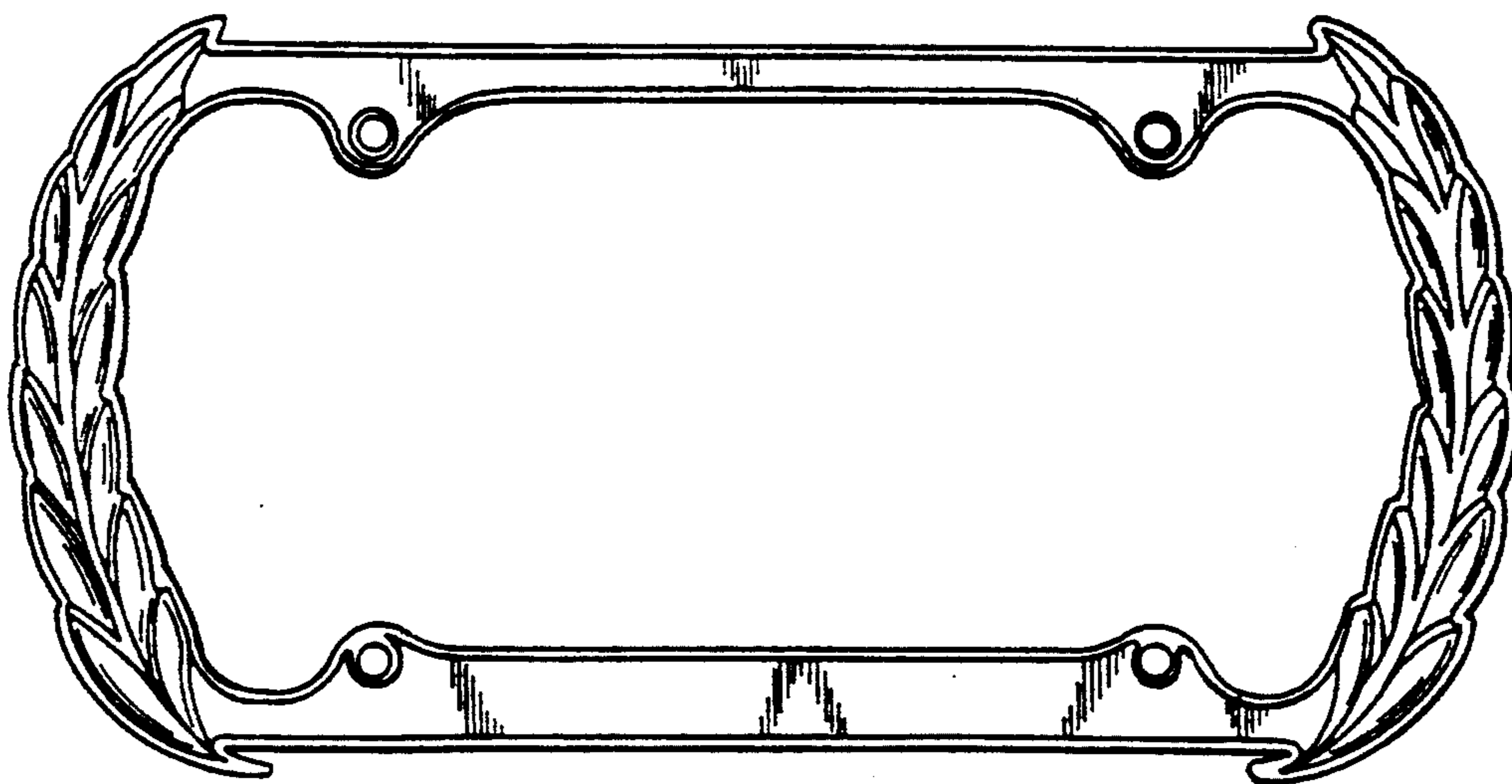


FIG. 3



FIG. 4



FIG. 5



FIG. 6



FIG. 7