



US00D347402S

United States Patent [19]

[11] Patent Number: **Des. 347,402**

Kemp et al.

[45] Date of Patent: **** May 31, 1994**

[54] **JEWELRY CONNECTOR**

1,284,972 11/1918 Anthony 70/457
1,484,532 2/1924 Quigley 70/456 R

[76] Inventors: **Dewey F. Kemp; Nina A. Kemp**, both of 30739 La Brisa Dr., Malibu, Calif. 90265

OTHER PUBLICATIONS

Rio Grande Albuquerque Findings and Chains, Item V located center of p. 278.

[**] Term: **14 Years**

Primary Examiner—A. Hugo Word
Assistant Examiner—R. Seifert
Attorney, Agent, or Firm—Jack C. Munro

[21] Appl. No.: **951,557**

[22] Filed: **Sep. 28, 1992**

[52] U.S. Cl. **D11/86**

[57] **CLAIM**

[58] Field of Search 63/1.1, 2, 11, 8; 70/456 R, 457; D11/3-25, 93, 94, 86, 87

The ornamental design for a jewelry connector, as shown and described.

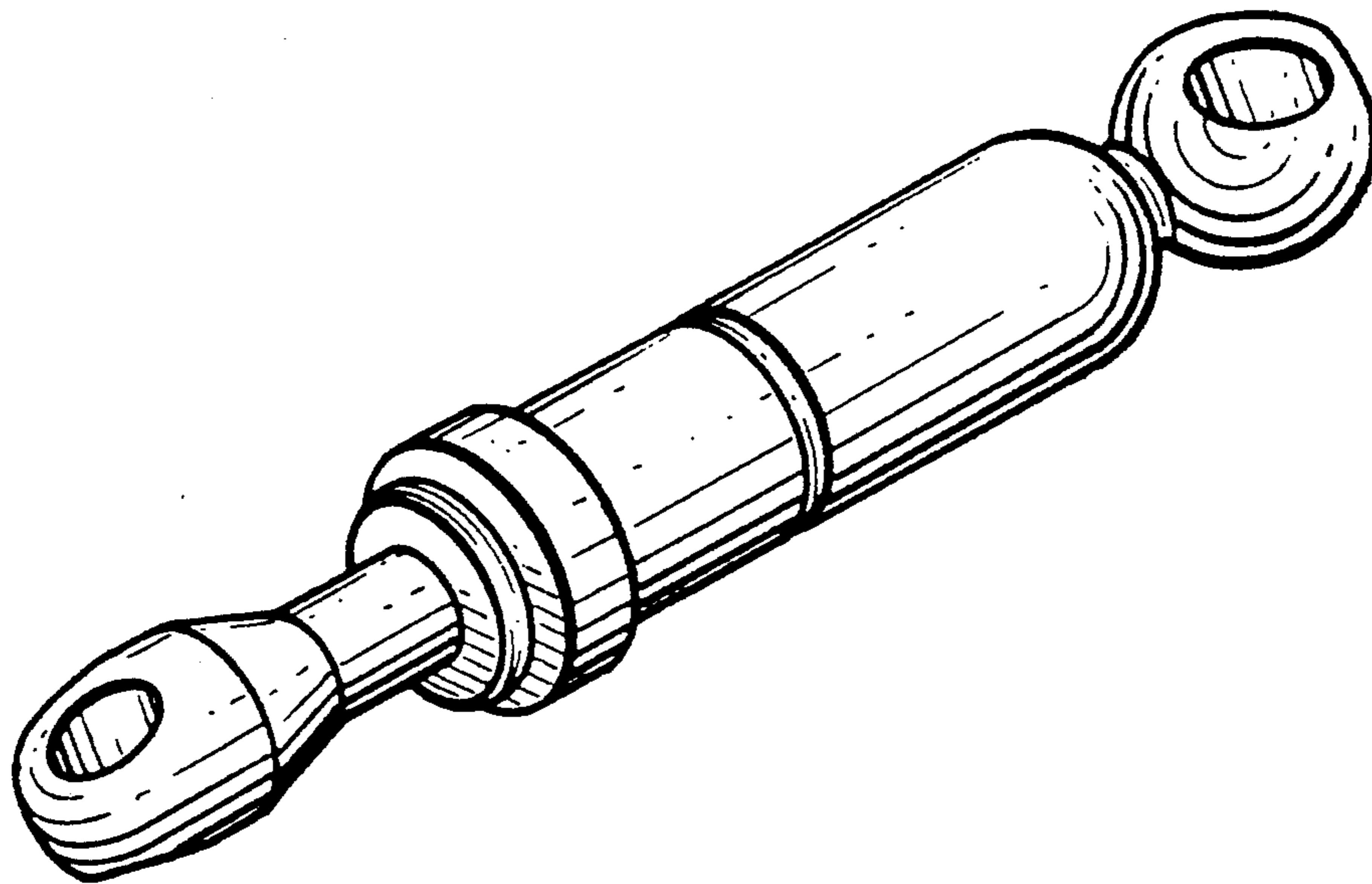
[56] **References Cited**

DESCRIPTION

U.S. PATENT DOCUMENTS

D. 12,653	1/1882	Seery	D11/93
D. 12,654	1/1882	Seery	D11/93
D. 50,766	5/1917	Speidel	D11/93
D. 56,196	8/1920	Schuler	D11/86
869,059	10/1907	Cashmore	70/457
995,260	6/1911	Korf et al.	70/457
1,199,690	9/1916	Gillan	70/457

FIG. 1 is an isometric view of the jewelry connector showing my new design;
FIG. 2 is a front view thereof;
FIG. 3 is a top plan view thereof, the bottom plan view being a mirror image;
FIG. 4 is a right side elevational view thereof, the left side elevational view being a mirror image thereof; and,
FIG. 5 is a rear view thereof.



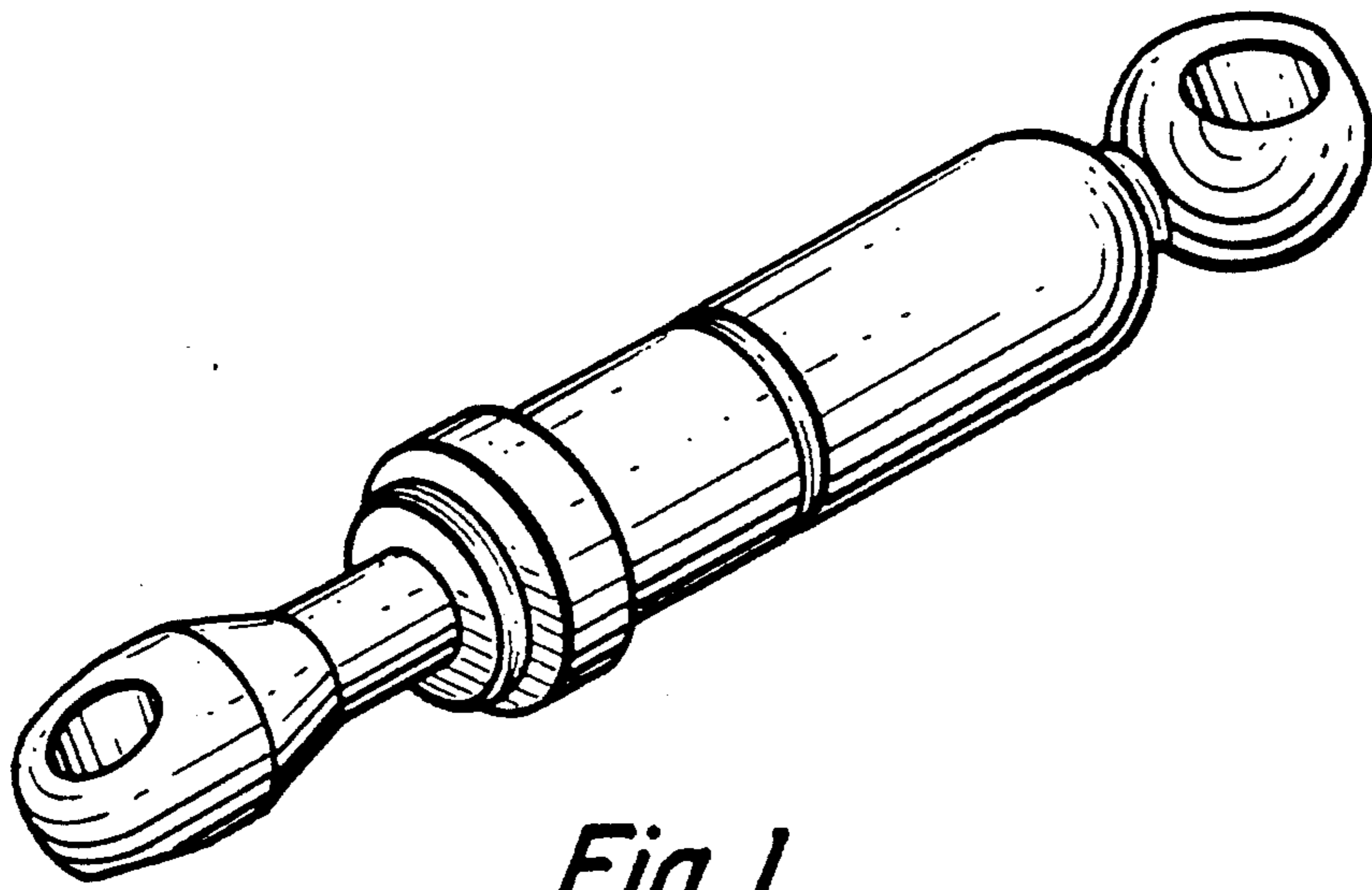


Fig. 1.

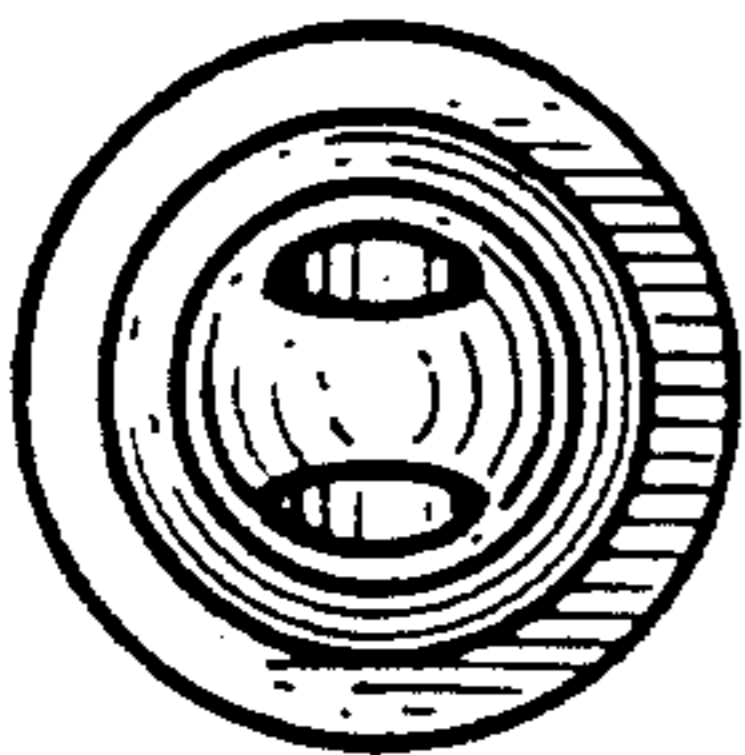


Fig. 2.

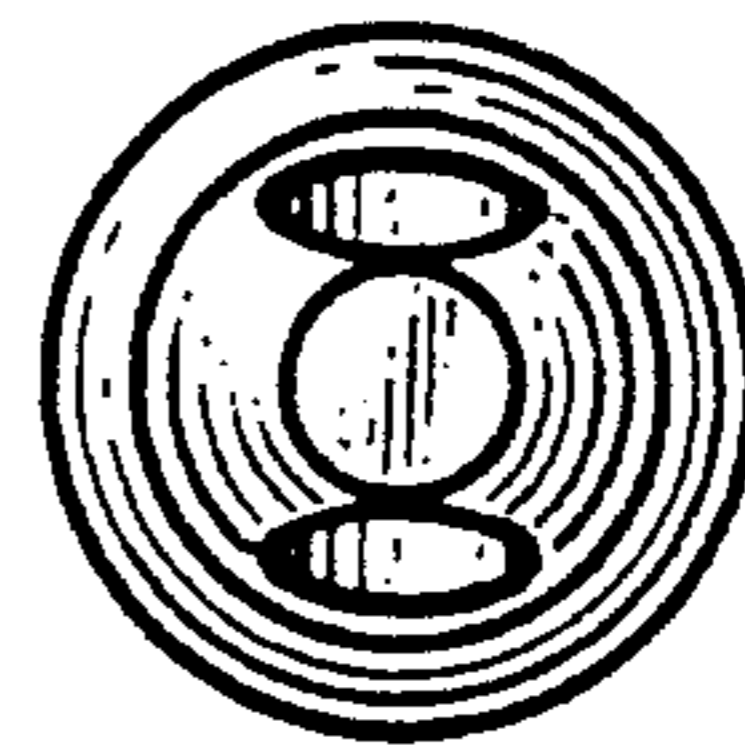


Fig. 5.

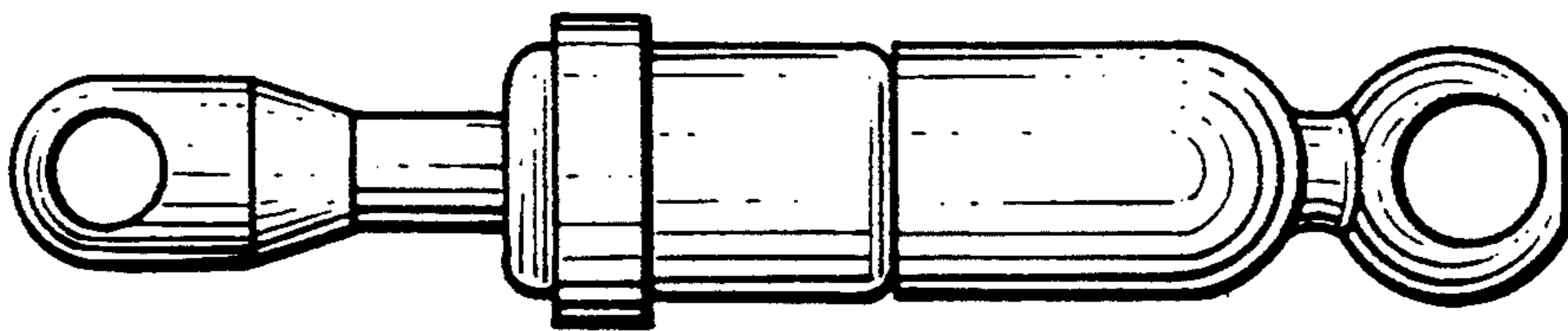


Fig. 3.

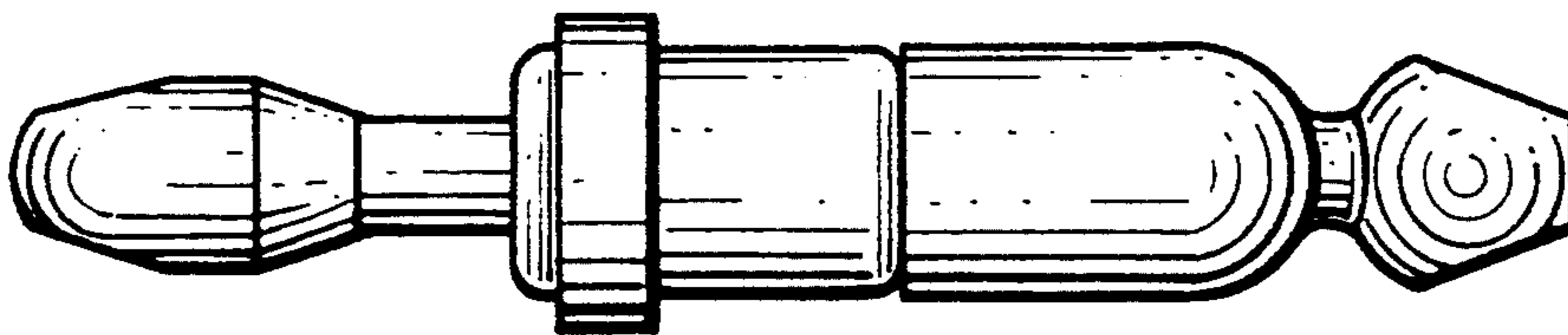


Fig. 4.