



US00D347394S

United States Patent [19]

[11] Patent Number: **Des. 347,394**

Schlesinger et al.

[45] Date of Patent: **** May 31, 1994**

[54] **GOLF BALL TESTER**

4,006,626 2/1977 Ruzicka et al. 73/12.02
5,222,391 6/1993 Reiter 73/81

[76] Inventors: **Daniel J. Schlesinger**, 6633 Forest Ave., Hammond, Ind. 46324; **Daniel C. Curran**, 95 Sioux Trail, Pine, Colo. 80470

Primary Examiner—Alan P. Douglas
Assistant Examiner—Antoine D. Davis
Attorney, Agent, or Firm—Dorr, Carson, Sloan & Peterson

[**] Term: **14 Years**

[57] **CLAIM**

[21] Appl. No.: **3,777**

The ornamental design for a golf ball tester, as shown and described.

[22] Filed: **Jan. 14, 1993**

[52] U.S. Cl. **D10/65; D10/70**

[58] Field of Search 33/555.2; 73/12, 13, 73/78-82; D10/64, 65, 70

DESCRIPTION

FIG. 1 is a perspective view of the golf ball tester; FIG. 2 is a front elevational view of the golf ball tester; FIG. 3 is a rear elevational view of the golf ball tester; FIG. 4 is a left side view of the golf ball tester; FIG. 5 is a right side view of the golf ball tester; FIG. 6 is a top view of the golf ball tester; and, FIG. 7 is a bottom view of the golf ball tester.

[56] **References Cited**

U.S. PATENT DOCUMENTS

D. 212,259 9/1968 Milan D10/64 X
D. 224,146 7/1972 Milan D10/64 X

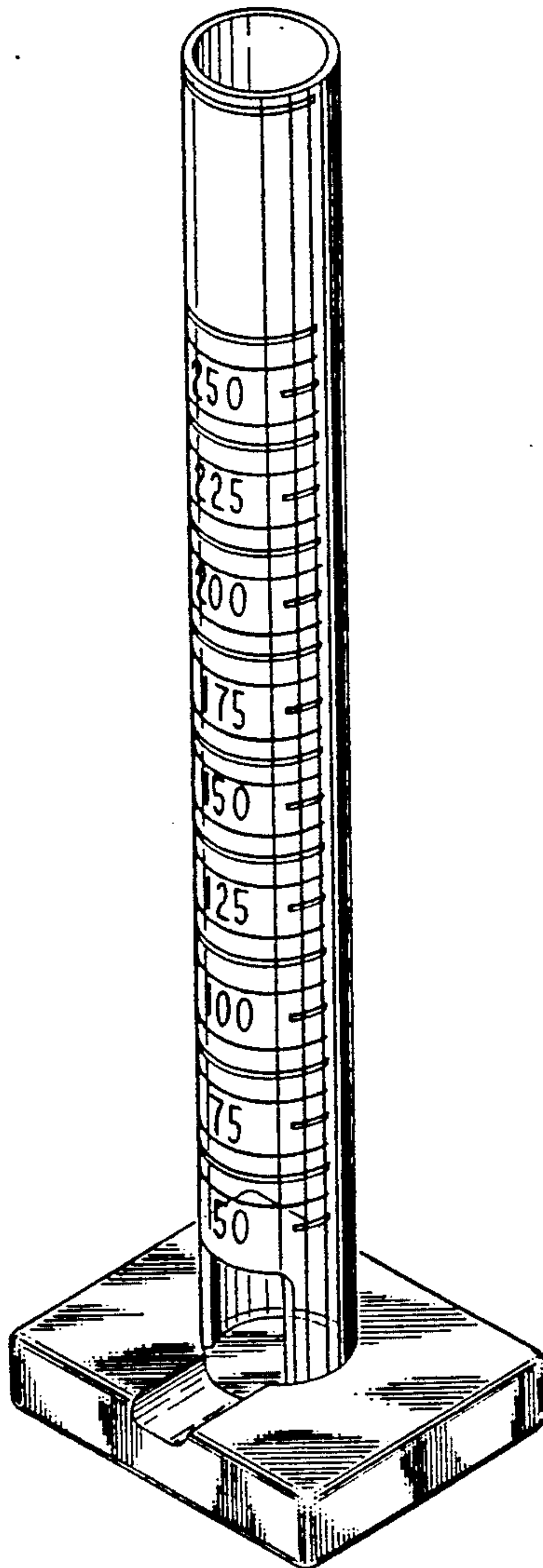
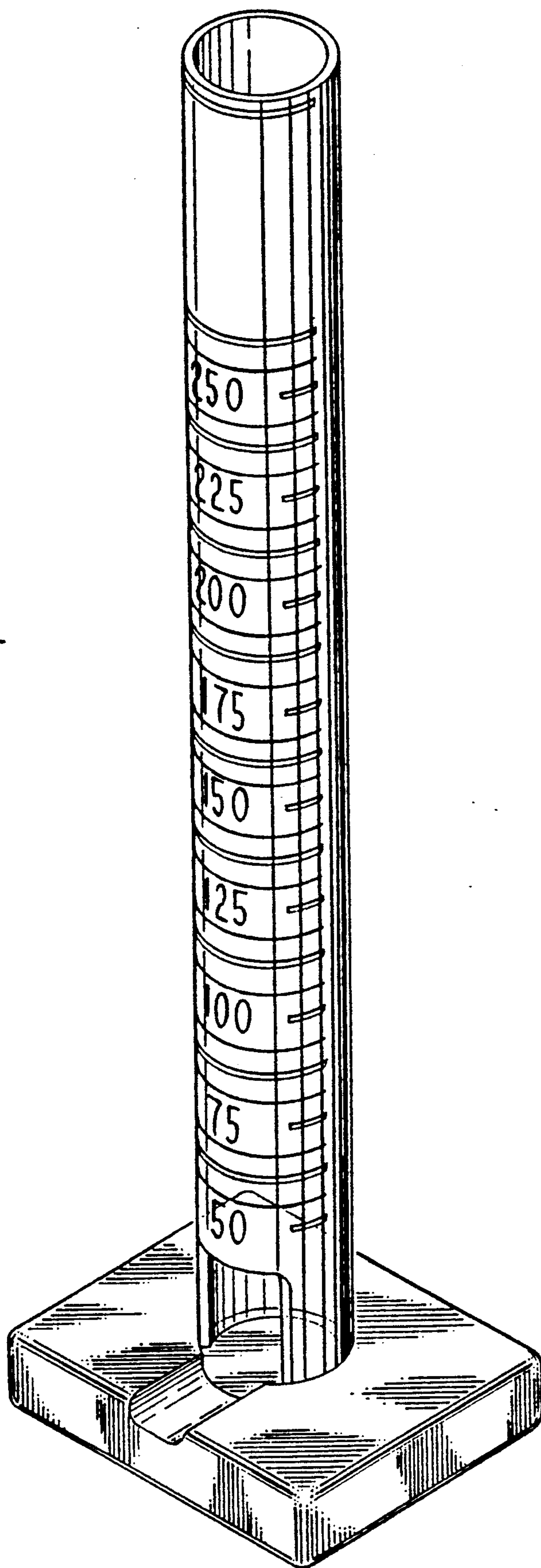


Fig. 1



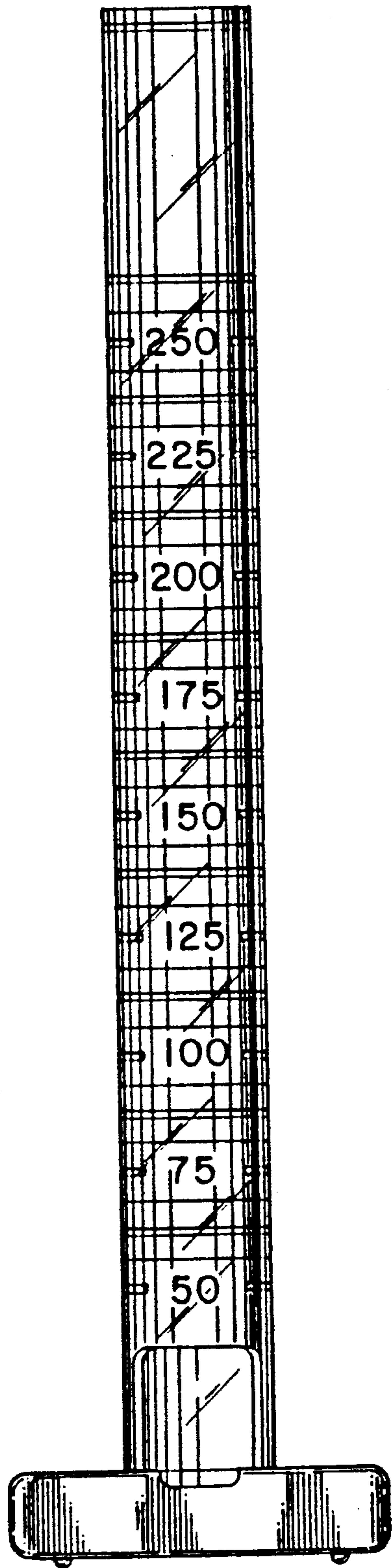


Fig. 2

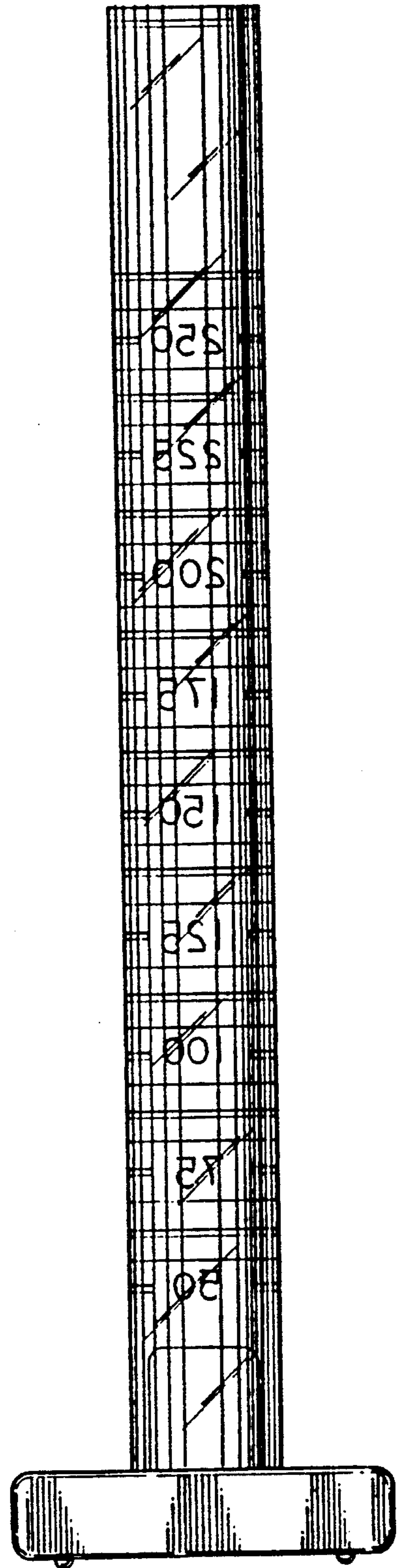


Fig. 3

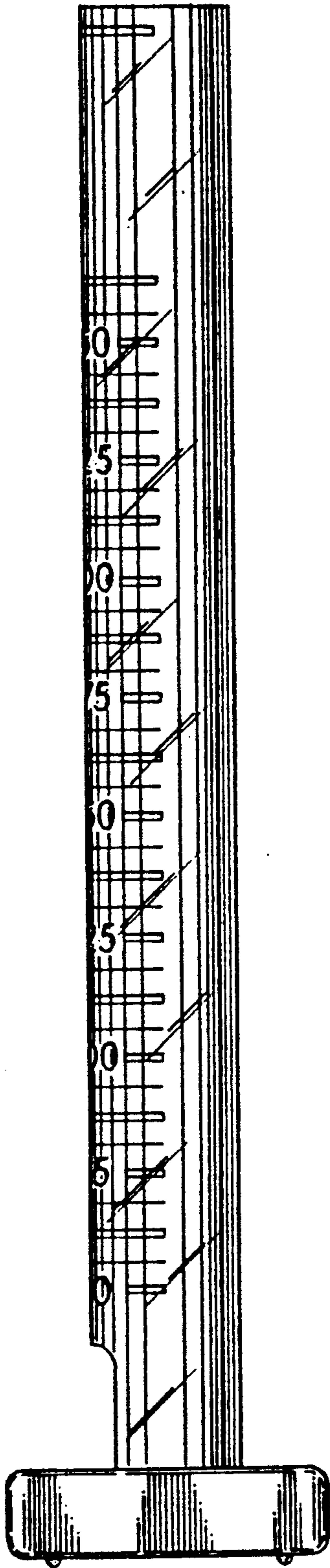


Fig. 4

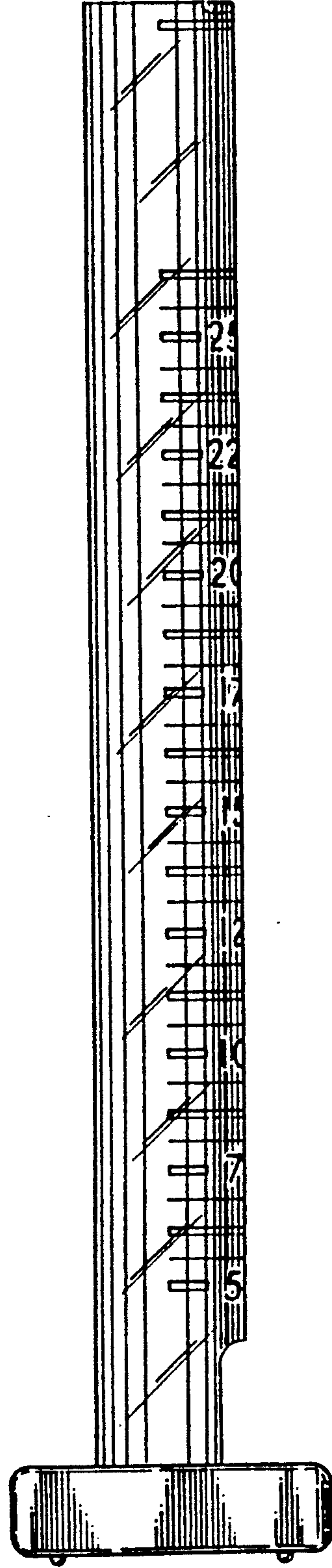


Fig. 5

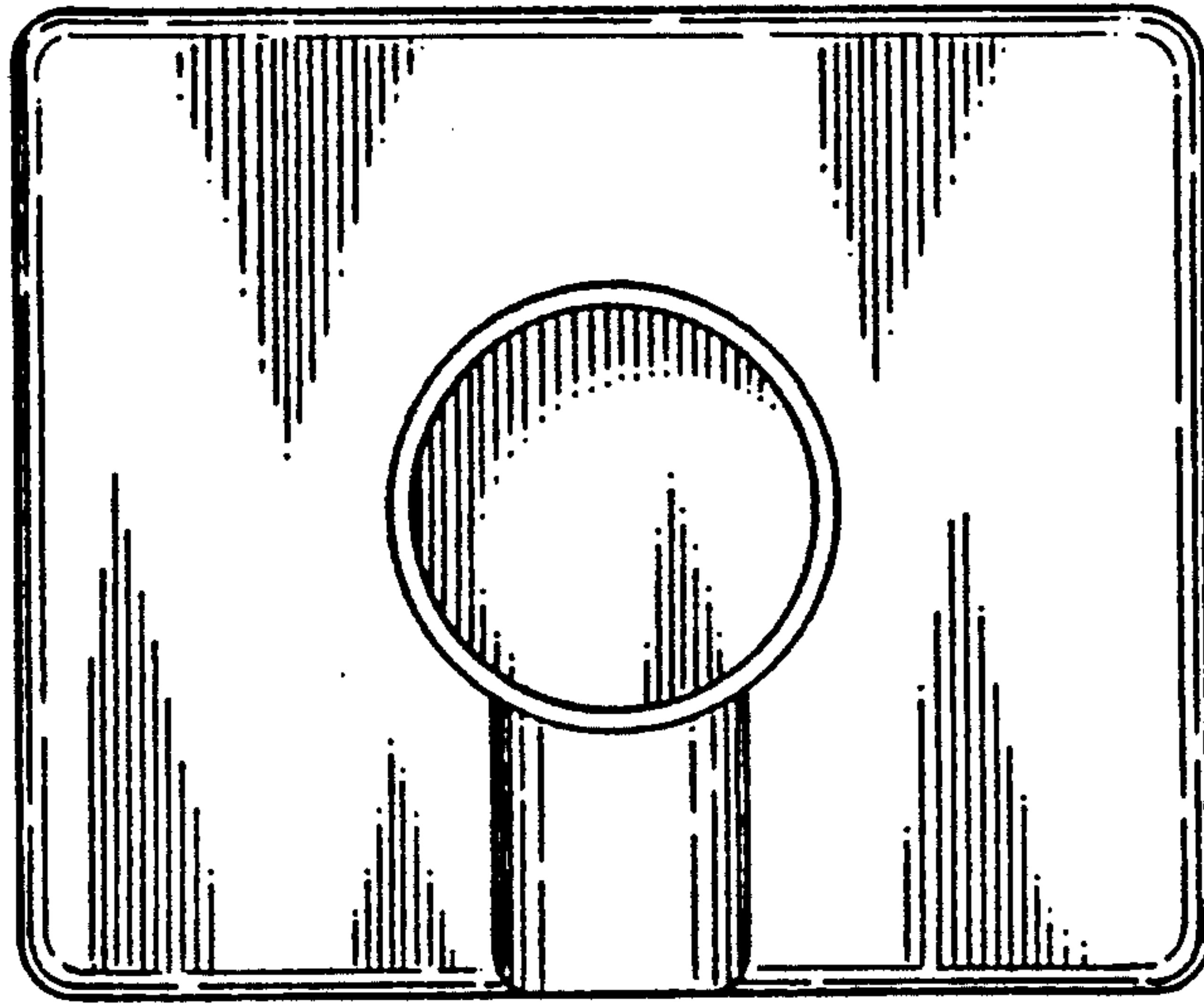


Fig. 6

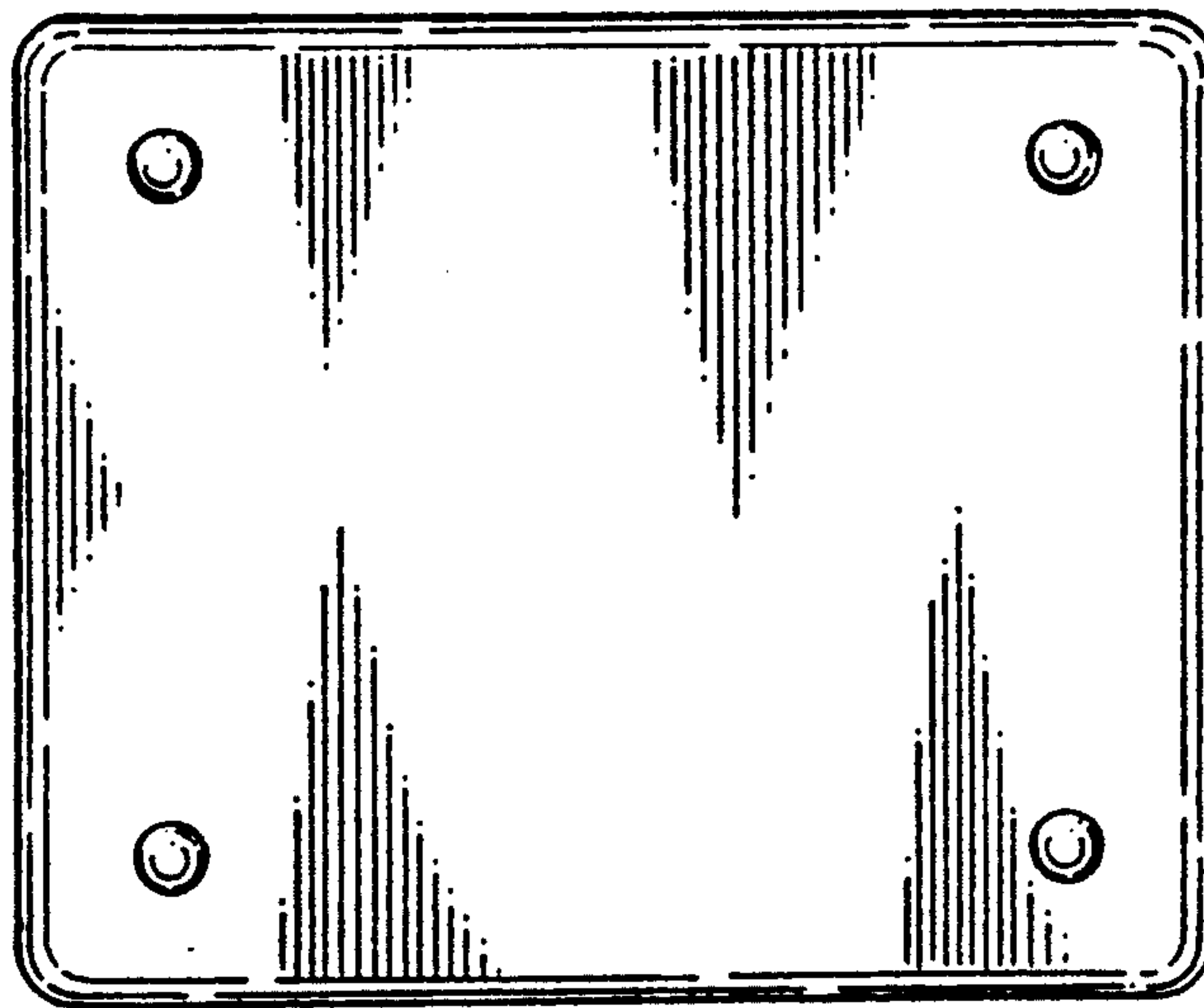


Fig. 7