



US00D347393S

# United States Patent [19] Young

[11] Patent Number: **Des. 347,393**  
[45] Date of Patent: **\*\* May 31, 1994**

[54] FISH MOBILE

[76] Inventor: **Wayne K. Young, 1516 Shuman,  
Westland, Mich. 48134**

[\*\*] Term: **14 Years**

[21] Appl. No.: **703,339**

[22] Filed: **May 21, 1991**

[52] U.S. Cl. .... **D10/59; D11/141;  
D21/157**

[58] Field of Search ..... **446/236, 241; 73/188;  
40/439, 440; D11/141; D21/63, 157; D20/29,  
30; D10/59**

[56] **Reference Cited**

### U.S. PATENT DOCUMENTS

D. 69,161 12/1925 Scott ..... D10/59 X  
D. 82,315 10/1936 Cramer ..... D21/157 X

D. 142,968 11/1945 Royals ..... D10/59 X  
D. 181,496 11/1957 Sly ..... D11/141  
D. 213,013 12/1968 Klingberg ..... D10/59 X  
D. 228,018 7/1973 Ruple ..... D10/59 X

*Primary Examiner*—Bernard Ansher  
*Assistant Examiner*—Dominic Simone  
*Attorney, Agent, or Firm*—Charles W. Chandler

### [57] CLAIM

The ornamental design of a fish mobile, as shown and described.

### DESCRIPTION

FIG. 1 is a front elevational view of a fish mobile showing my new design;  
FIG. 2 is a rear elevational view thereof;  
FIG. 3 is a top plan view thereof;  
FIG. 4 is a bottom plan view thereof;  
FIG. 5 is a left side elevational view thereof; and,  
FIG. 6 is a right side elevational view thereof.

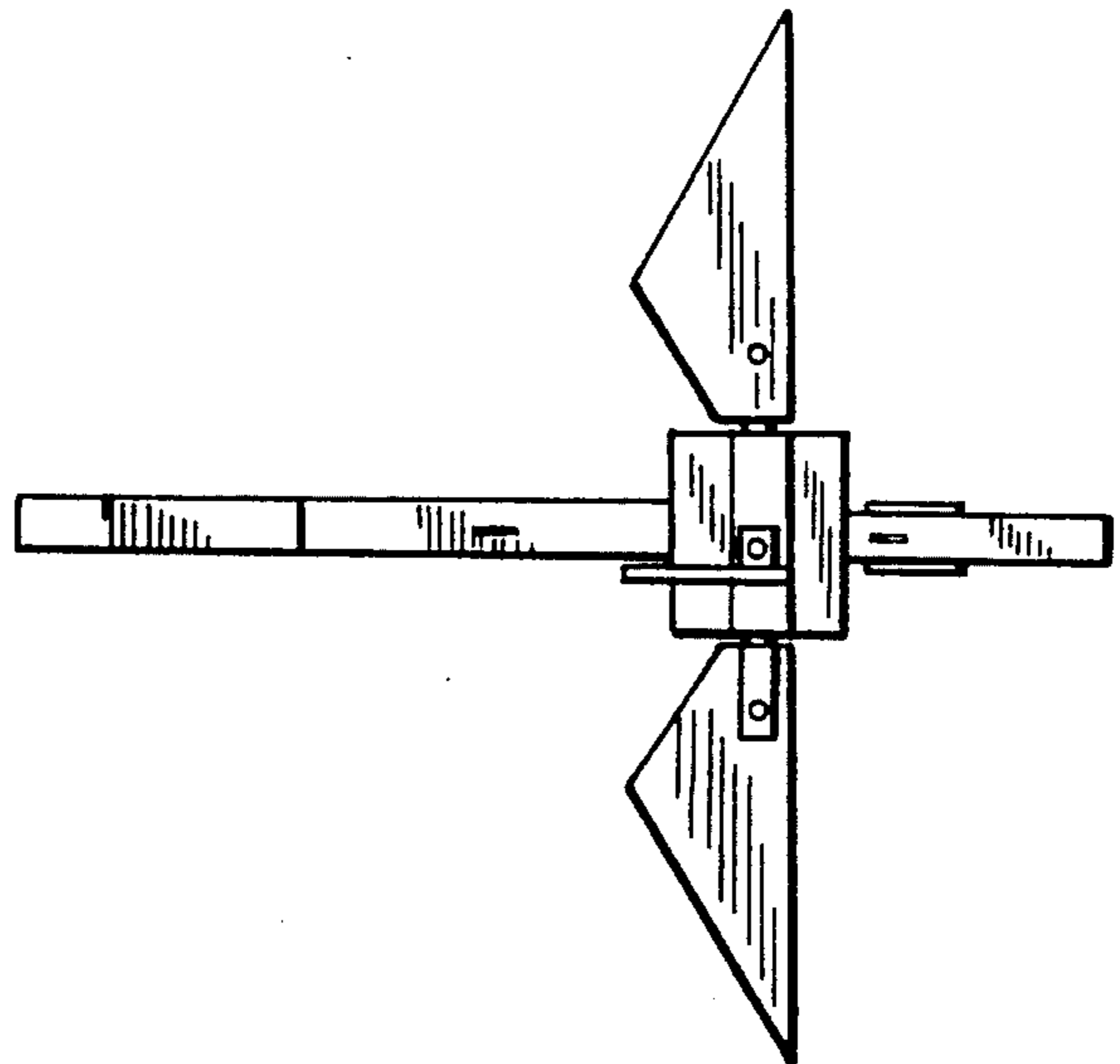
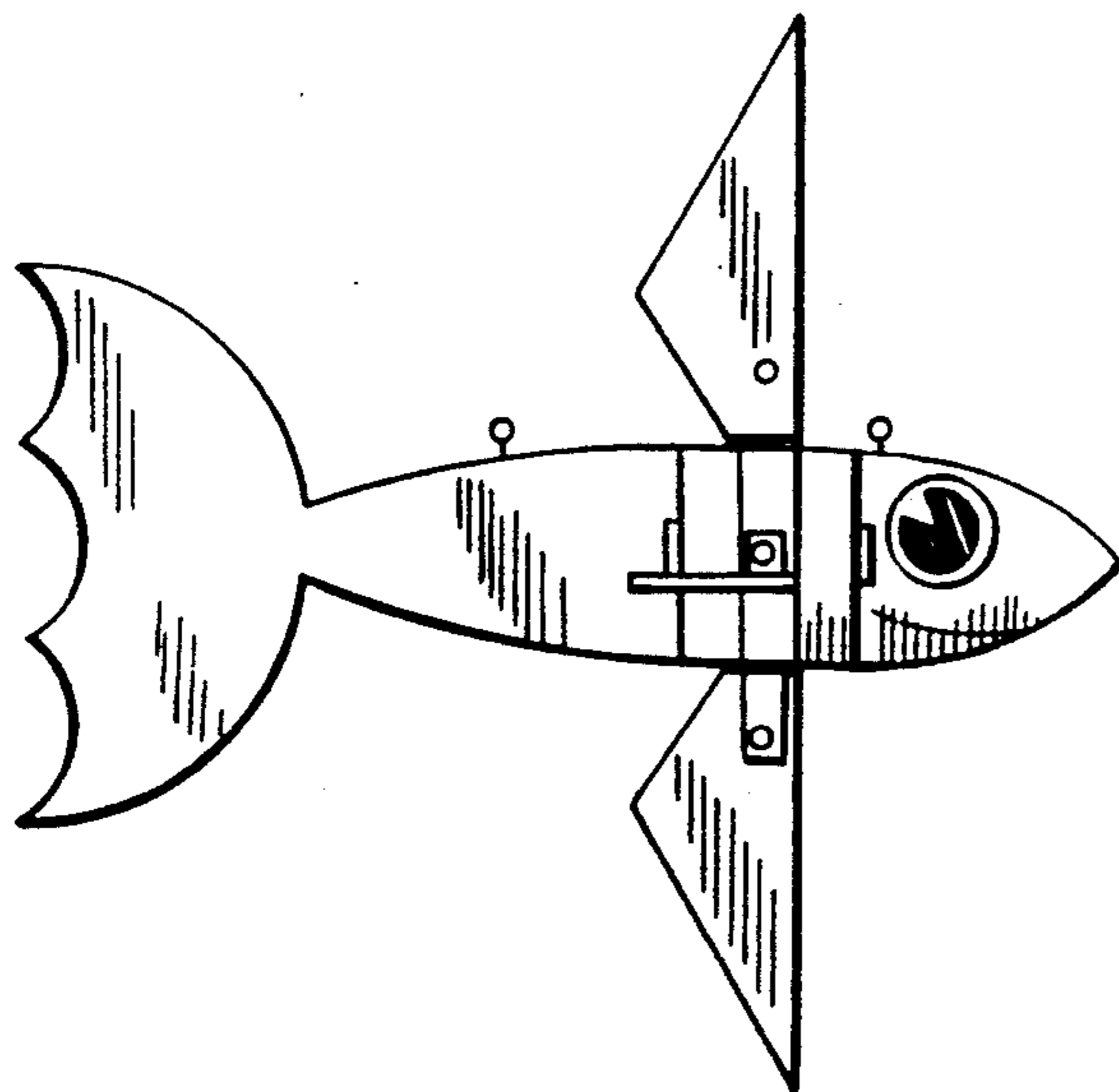


fig. 1

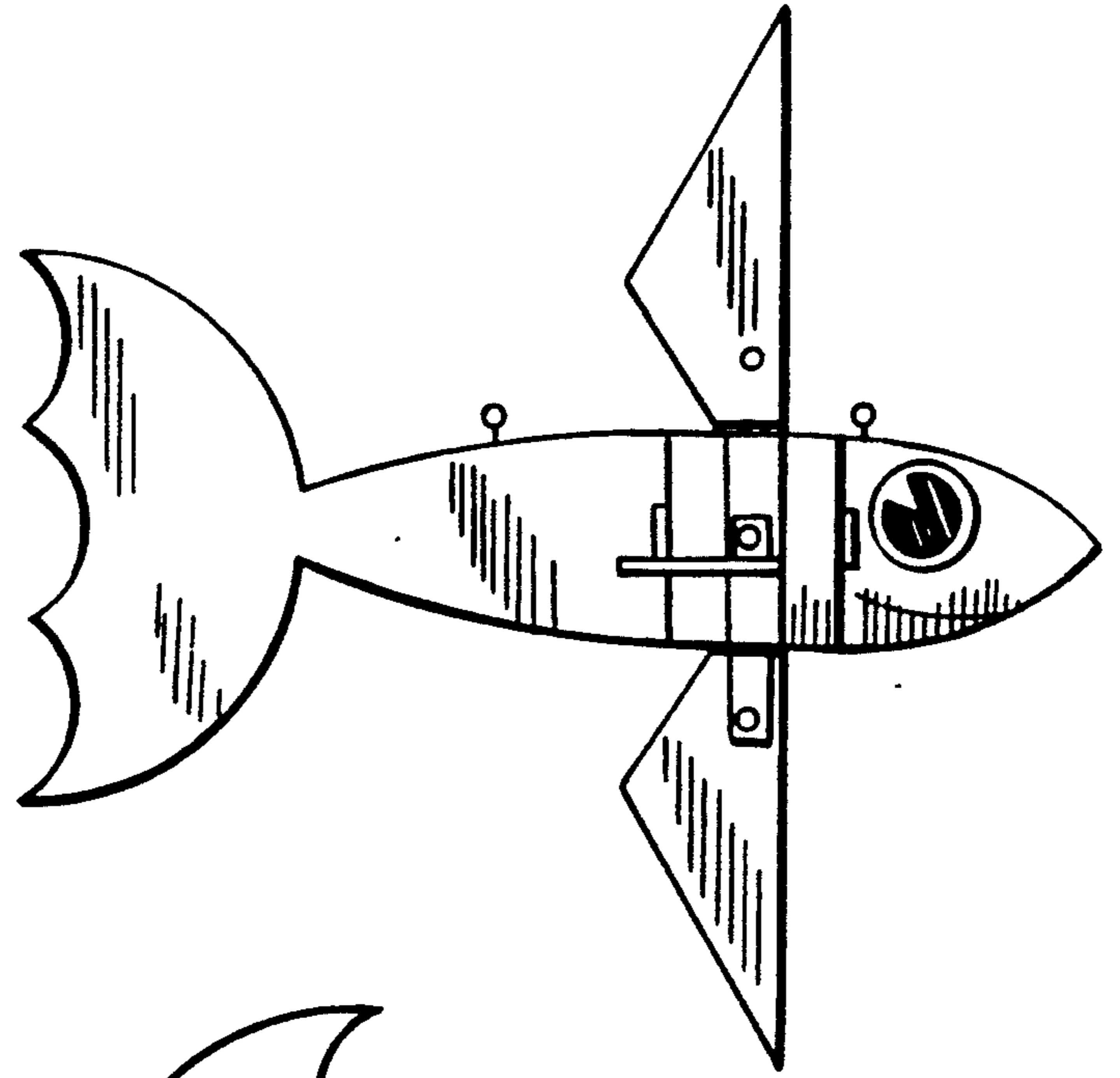


fig. 2

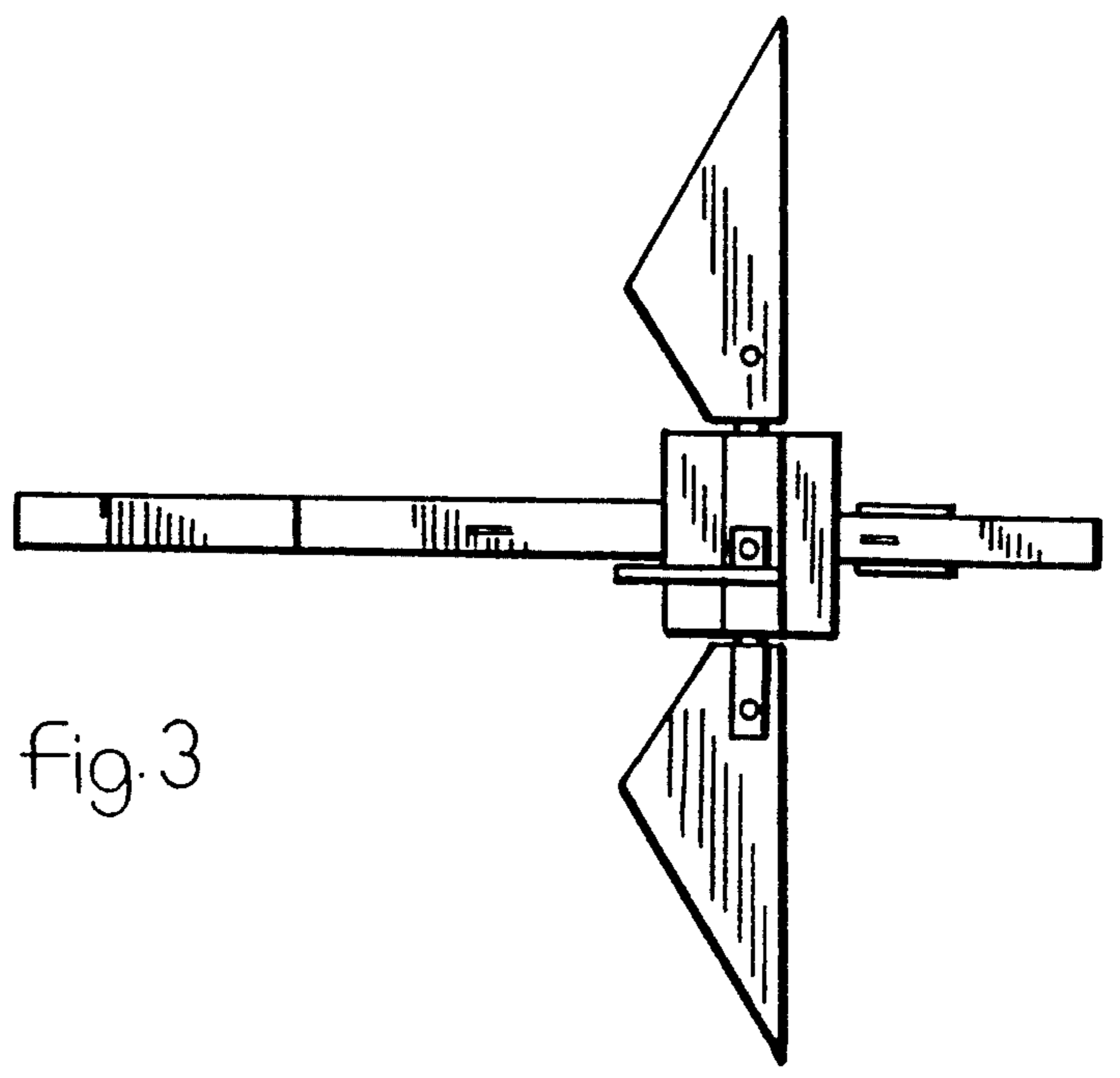
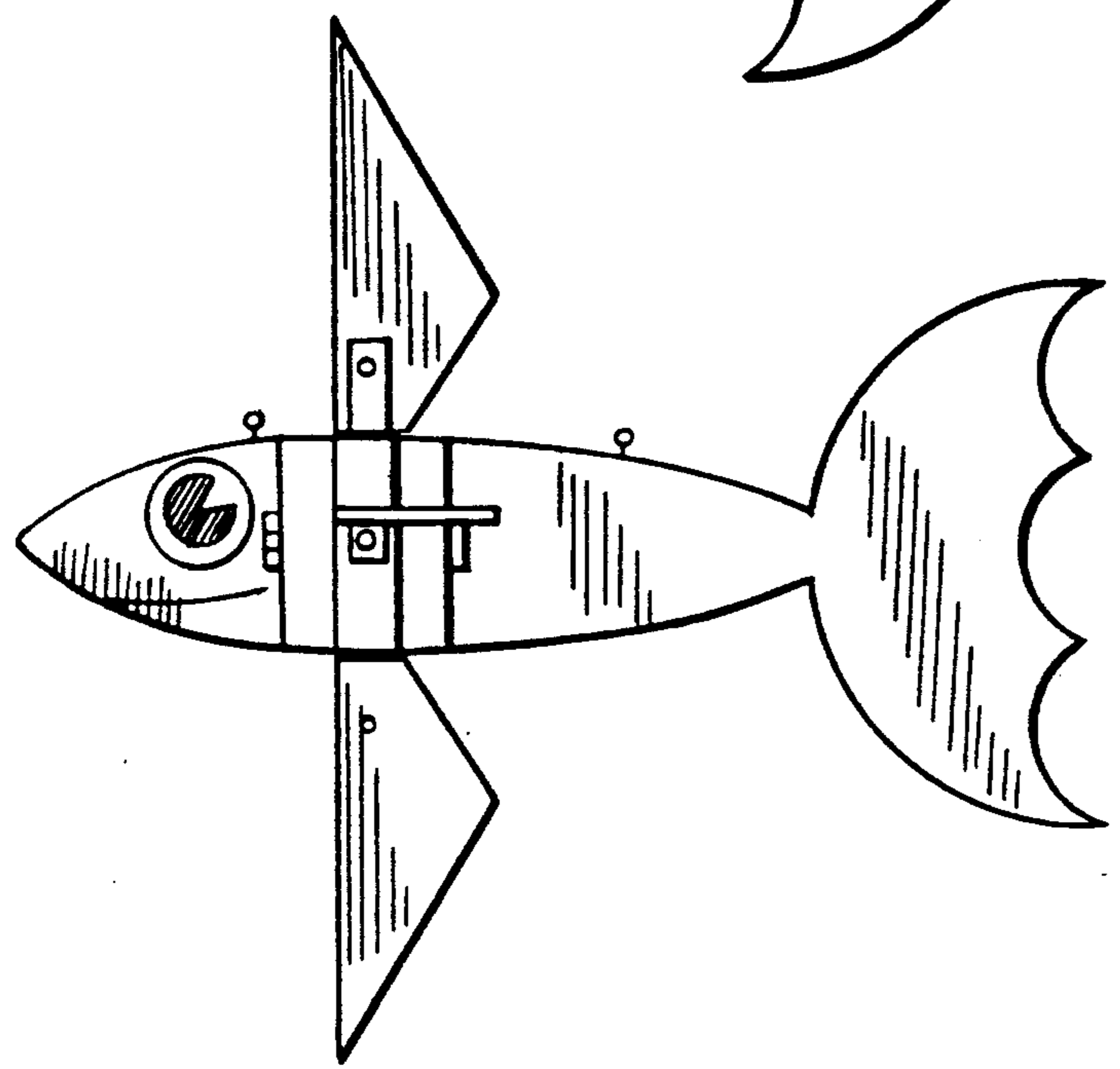


fig. 3

