



US00D347384S

United States Patent [19]

[11] Patent Number: **Des. 347,384**

White et al.

[45] Date of Patent: **** May 31, 1994**

[54] **WIRE RETENTION CLIP**

[75] Inventors: **Fred E. White, Marietta; Barry O. Page, Woodstock; Joseph A. Dukes, Dawsonville, all of Ga.**

[73] Assignee: **Panduit Corp., Tinley Park, Ill.**

[**] Term: **14 Years**

[21] Appl. No.: **10,338**

[22] Filed: **Jul. 2, 1993**

4,564,163	1/1986	Barnett .
4,609,171	9/1986	Matsui .
4,635,886	1/1987	Santucci et al. .
4,779,828	10/1988	Münch .
5,040,752	8/1991	Morrison .

FOREIGN PATENT DOCUMENTS

2442414	3/1976	Fed. Rep. of Germany .
1391809	4/1975	United Kingdom .
1567852	5/1980	United Kingdom .

Primary Examiner—B. J. Bullock
Attorney, Agent, or Firm—Charles R. Wentzel; Mark D. Hilliard; Robert A. McCann

Related U.S. Application Data

[63] Continuation of Ser. No. 925,359, Aug. 3, 1992, Pat. No. 5,230,489.

[52] U.S. Cl. **D8/395; D8/396**

[58] Field of Search **D8/395, 396; 248/74.3, 248/74.2; 24/16 PB, 543**

[57] **CLAIM**

The ornamental design for a wire retention clip, as shown and described.

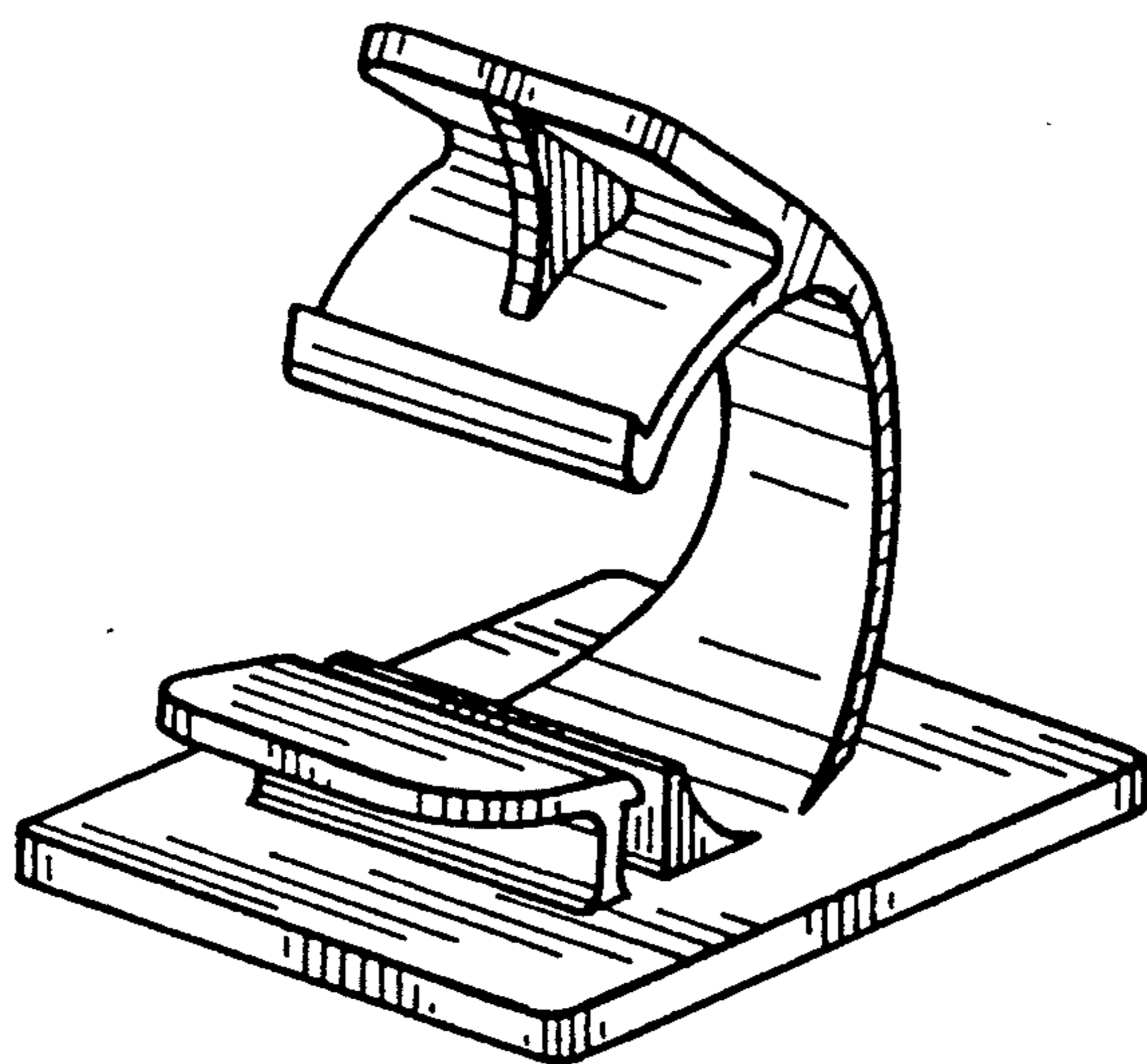
DESCRIPTION

FIG. 1 is a front perspective view of the wire retention clip in the open position illustrating our new design; FIG. 2 is a rear perspective view of the wire retention clip of FIG. 1; FIG. 3 is a right side view of the wire retention clip of FIG. 1, the left side being a mirror image thereof; FIG. 4 is a front view of the wire retention clip of FIG. 1; FIG. 5 is a rear view of the wire retention clip of FIG. 1; and, FIG. 6 is a top view of the wire retention clip of FIG. 1, the bottom being flat and unornamented.

[56] **References Cited**

U.S. PATENT DOCUMENTS

3,432,129	3/1969	Santucci .
3,516,631	6/1970	Santucci .
3,637,177	1/1972	Santucci .
3,982,307	9/1976	Smith et al. .
4,153,228	5/1979	Delserro et al. .
4,317,262	3/1982	Wells, Jr. .
4,325,526	4/1982	Kitagawa .
4,386,752	6/1983	Pavlak et al. .
4,439,896	4/1984	Matsui .



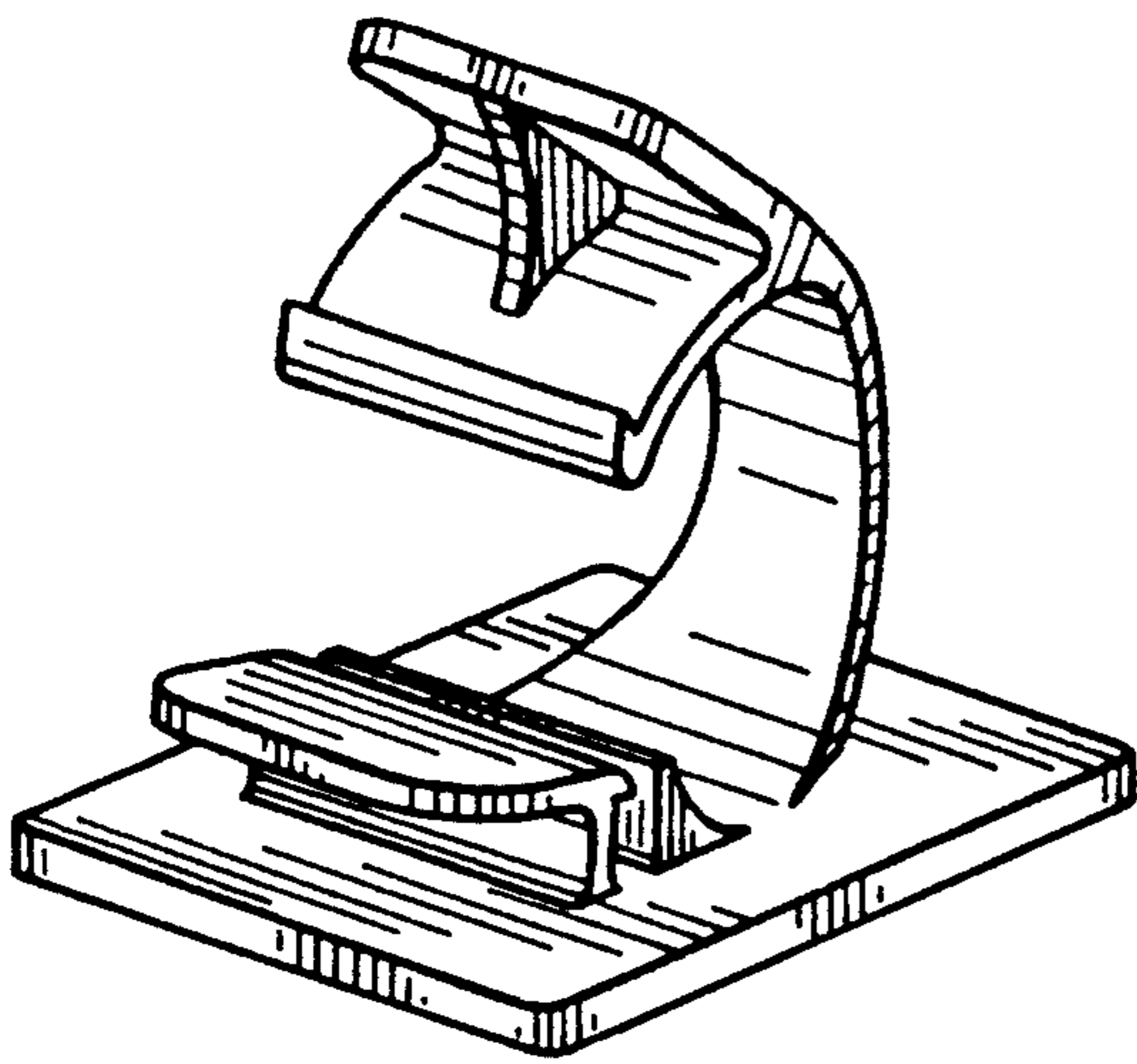


FIG. 1

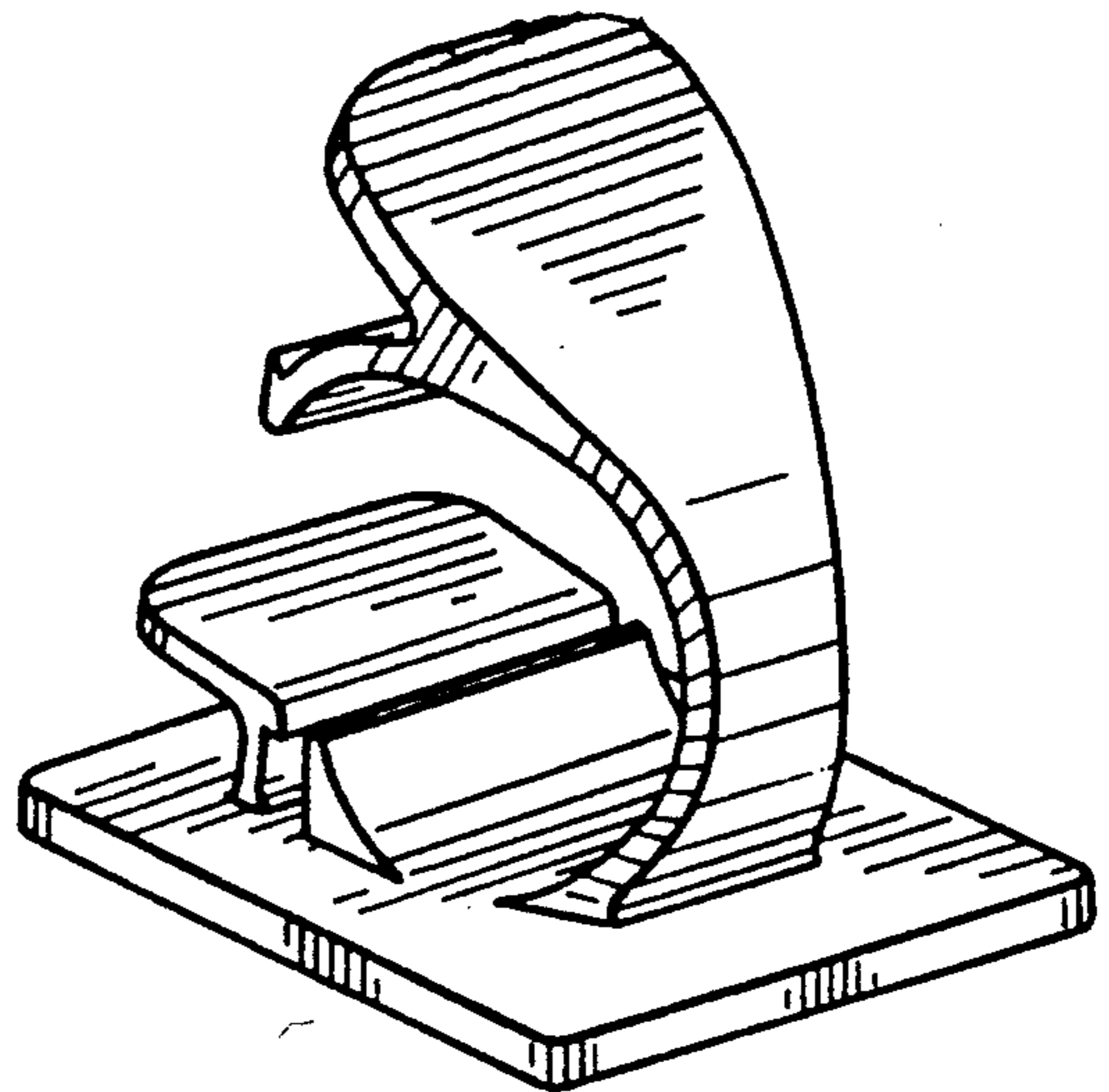


FIG. 2

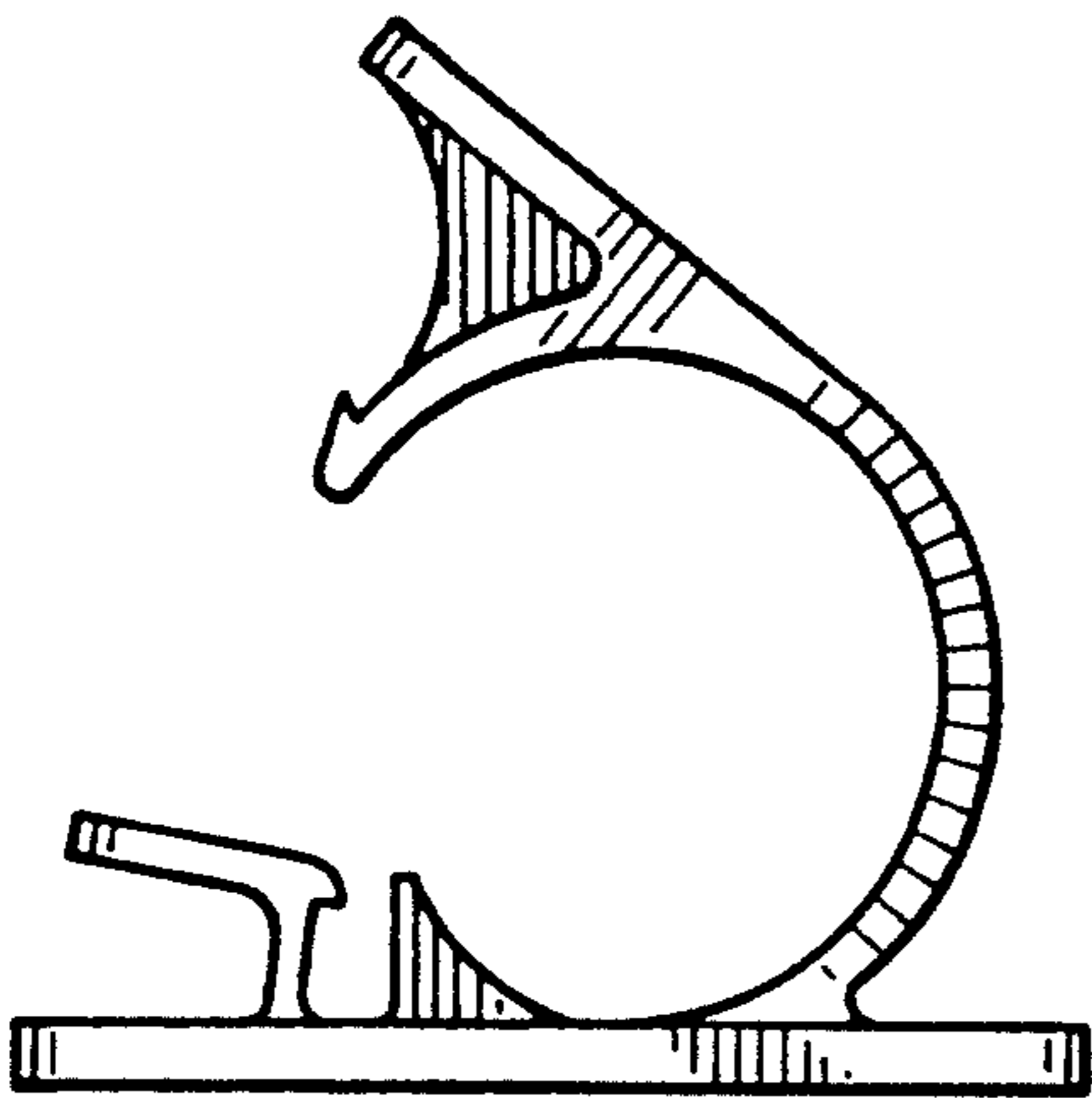


FIG. 3

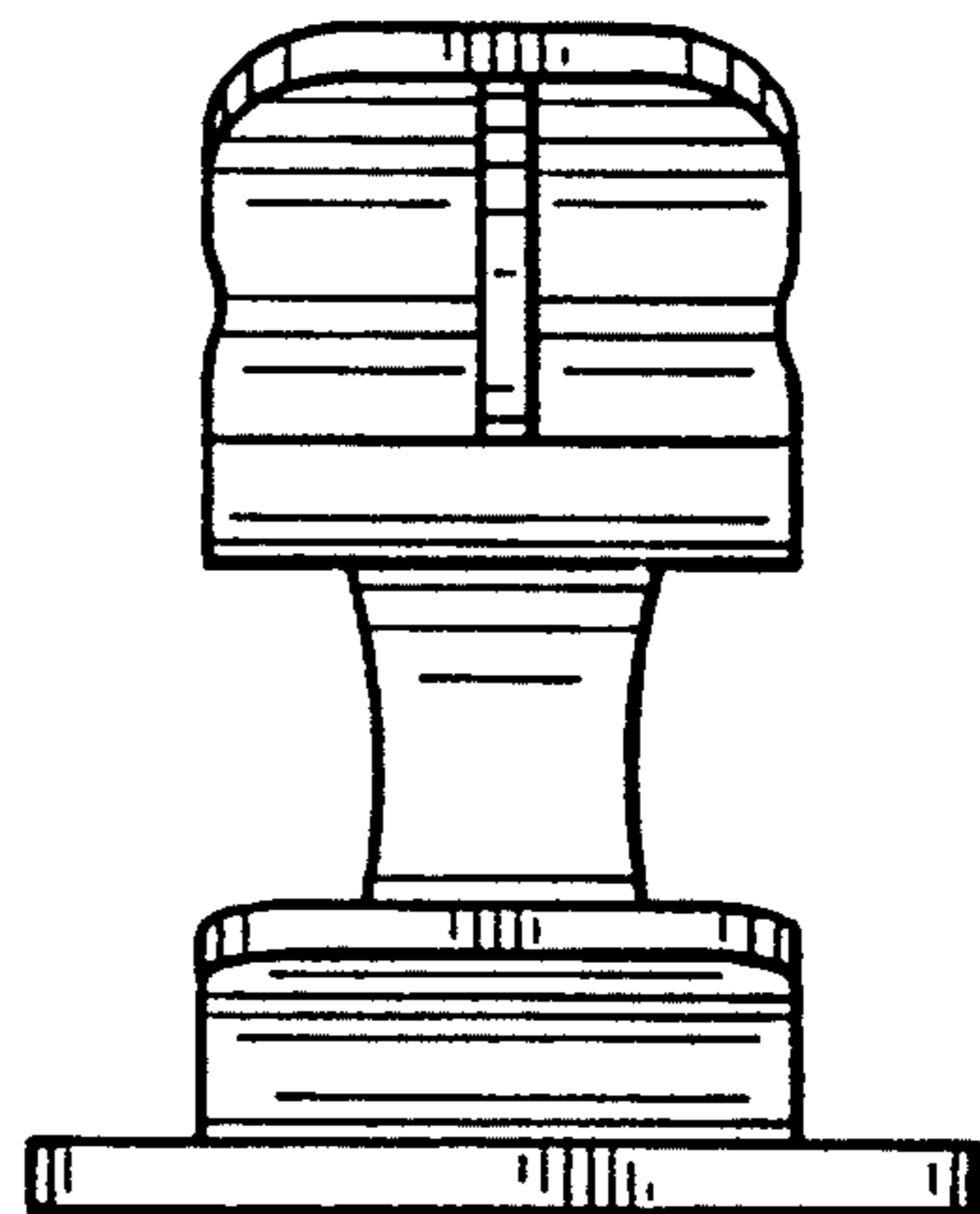


FIG. 4

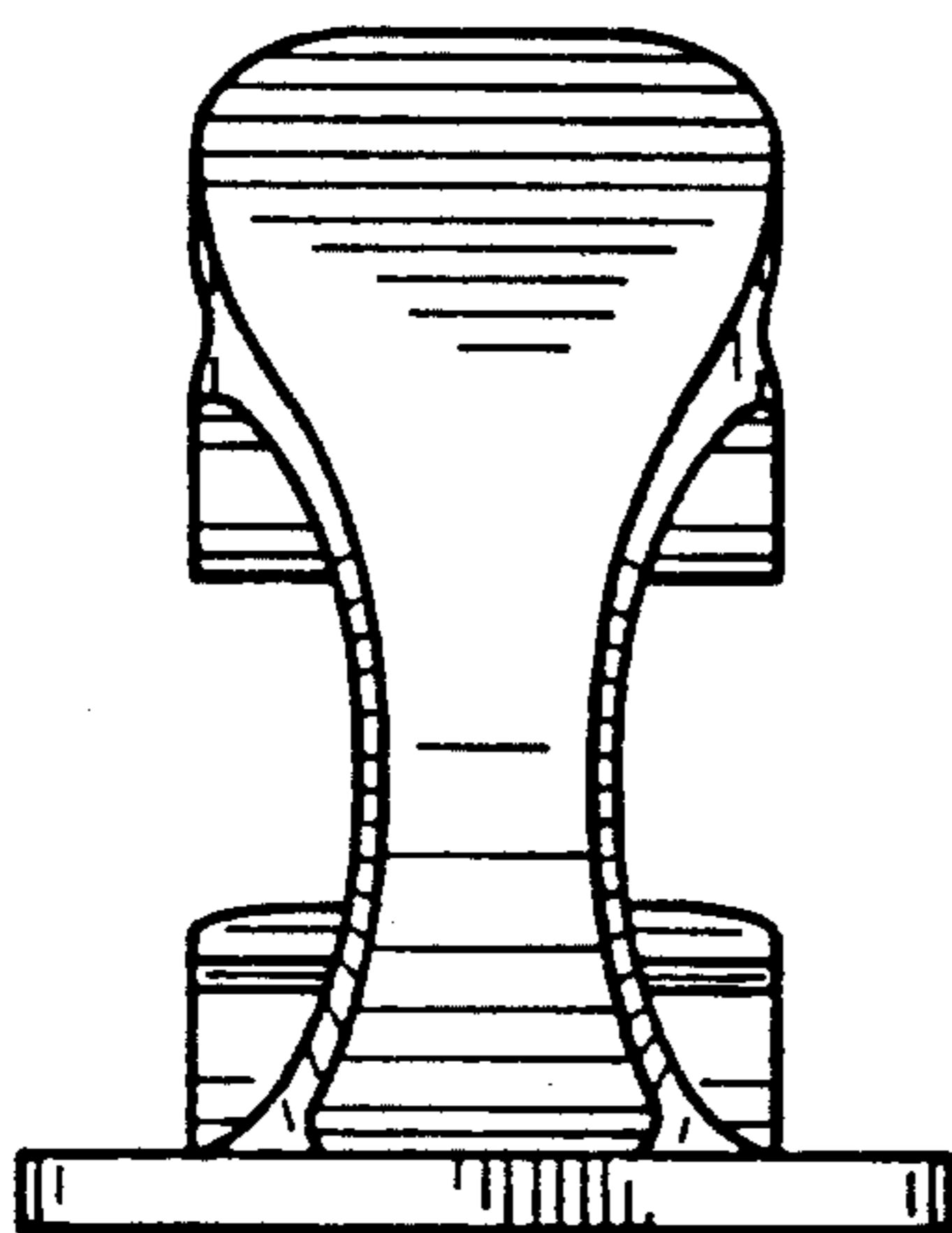


FIG. 5

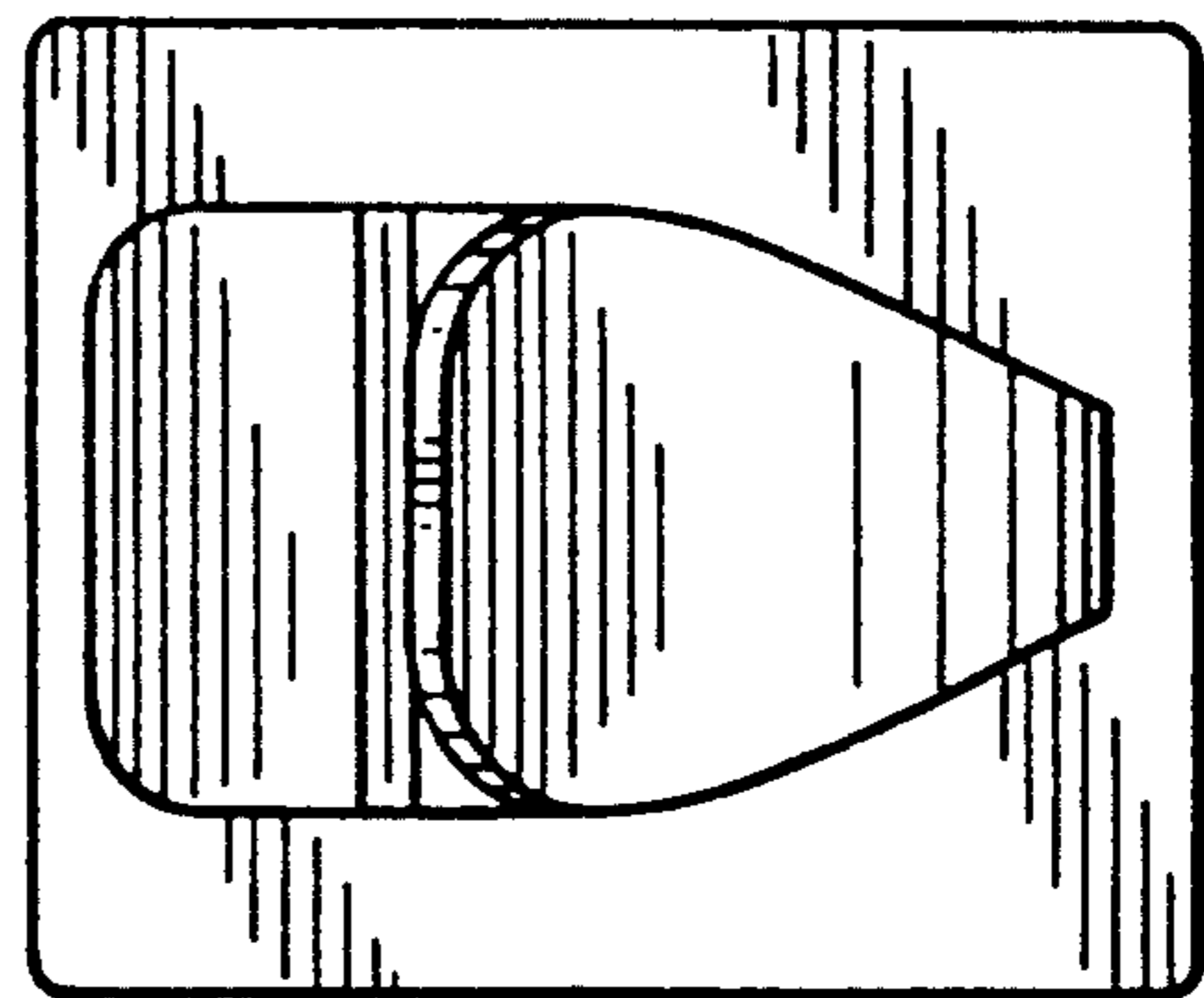


FIG. 6