



US00D347380S

United States Patent [19]

Herber

[11] Patent Number: **Des. 347,380**

[45] Date of Patent: **** May 31, 1994**

[54] **TRAY SUPPORT BRACKET**

[76] Inventor: **Michael C. Herber**, 16019 92nd Ave.,
Court East, Puyallup, Wash.
98373-2243

[**] Term: **14 Years**

[21] Appl. No.: **3,803**

[22] Filed: **Jan. 15, 1993**

[52] U.S. Cl. **D8/380**

[58] Field of Search **D8/380, 363, 381;**
248/237, 247; 108/44

D. 315,862 4/1991 Specker, Jr. D8/380
D. 340,405 10/1993 Anderson D8/380 X
2,588,995 3/1952 Setvate 248/247 X

Primary Examiner—Wallace R. Burke
Assistant Examiner—Holly Baynham
Attorney, Agent, or Firm—John H. Crowe

[57] **CLAIM**

The ornamental design for a tray support bracket, as shown and described.

DESCRIPTION

FIG. 1 is a perspective view of a tray support bracket showing my new design.

FIG. 2 is a right side elevational view thereof with the opposite side being a mirror image thereof;

FIG. 3 is a front elevational view thereof;

FIG. 4 is a top plan view thereof;

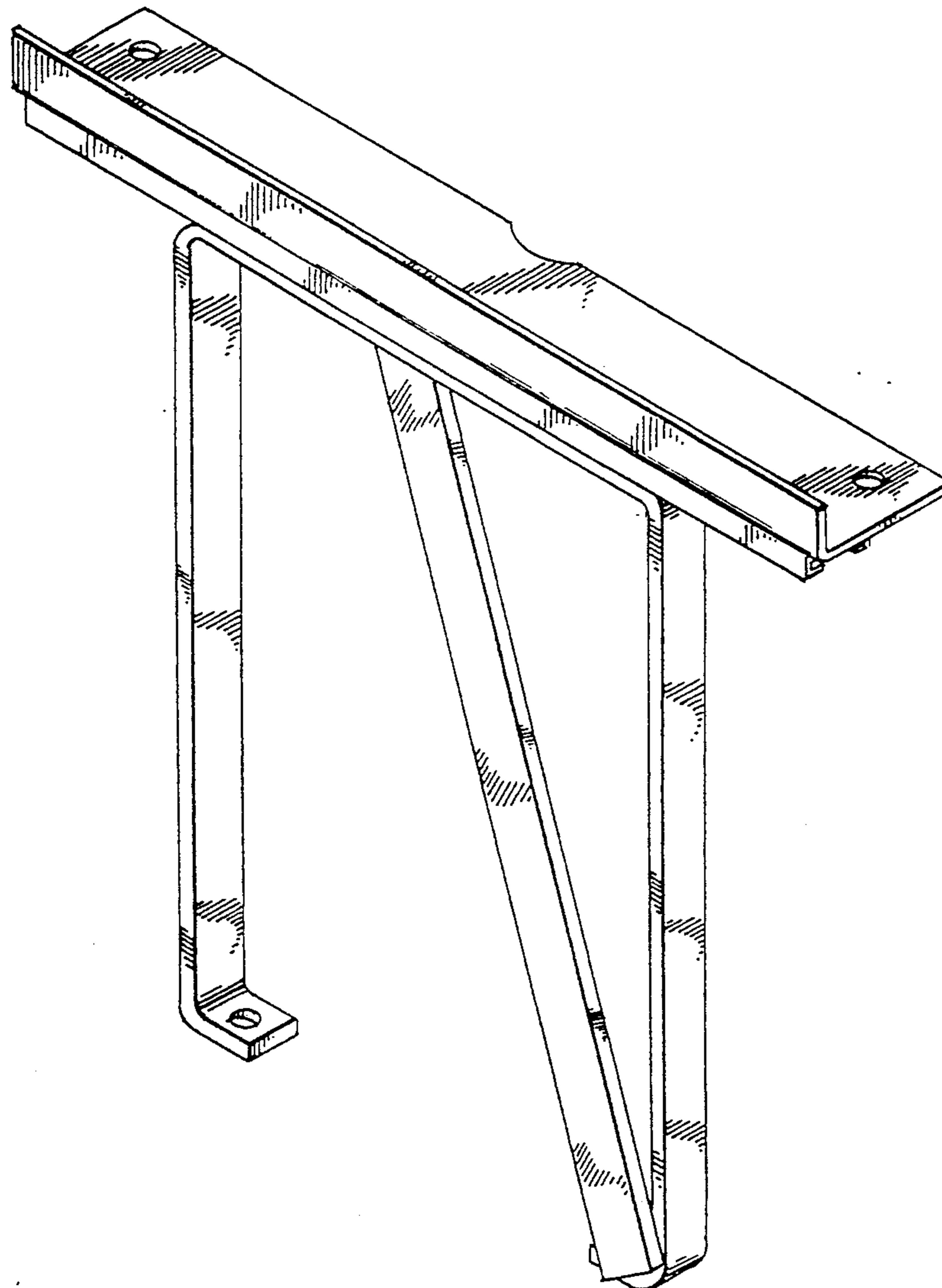
FIG. 5 is a rear elevational view thereof; and,

FIG. 6 is a bottom plan view thereof.

[56] **References Cited**

U.S. PATENT DOCUMENTS

D. 23,223 4/1894 Randall D8/381
D. 239,251 3/1976 Sheetz D8/380 X
D. 240,896 8/1976 Ward D8/380 X
D. 285,410 9/1986 Webber D8/380 X



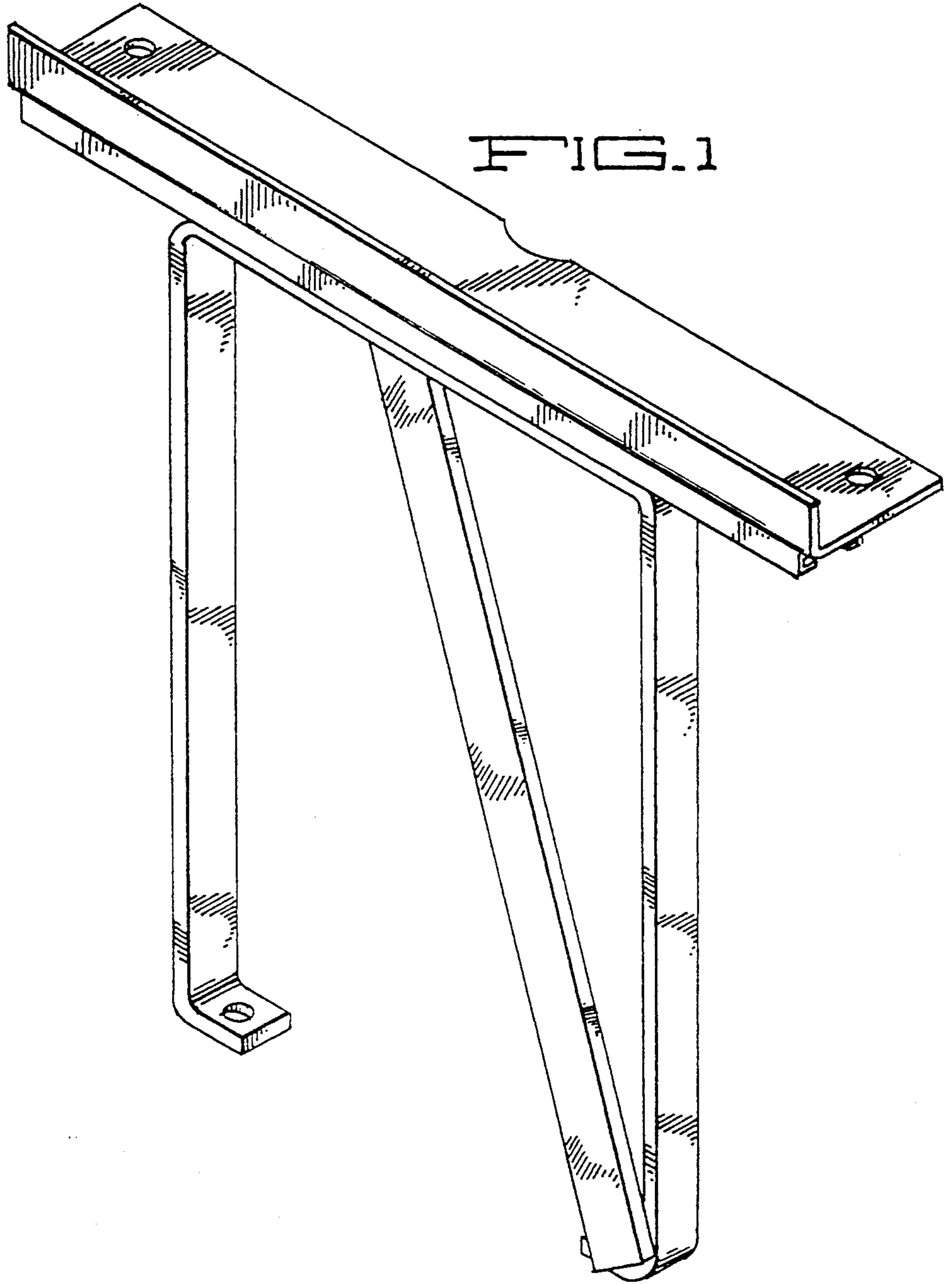


FIG. 1

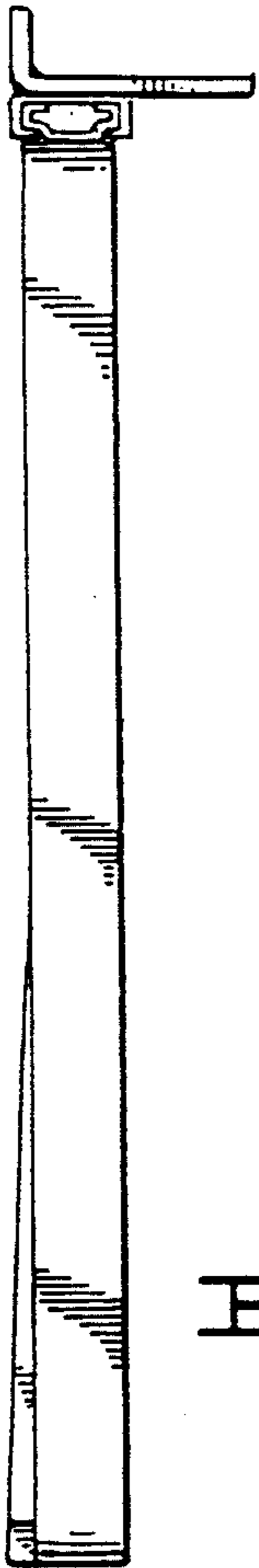


FIG. 2

FIG. 3

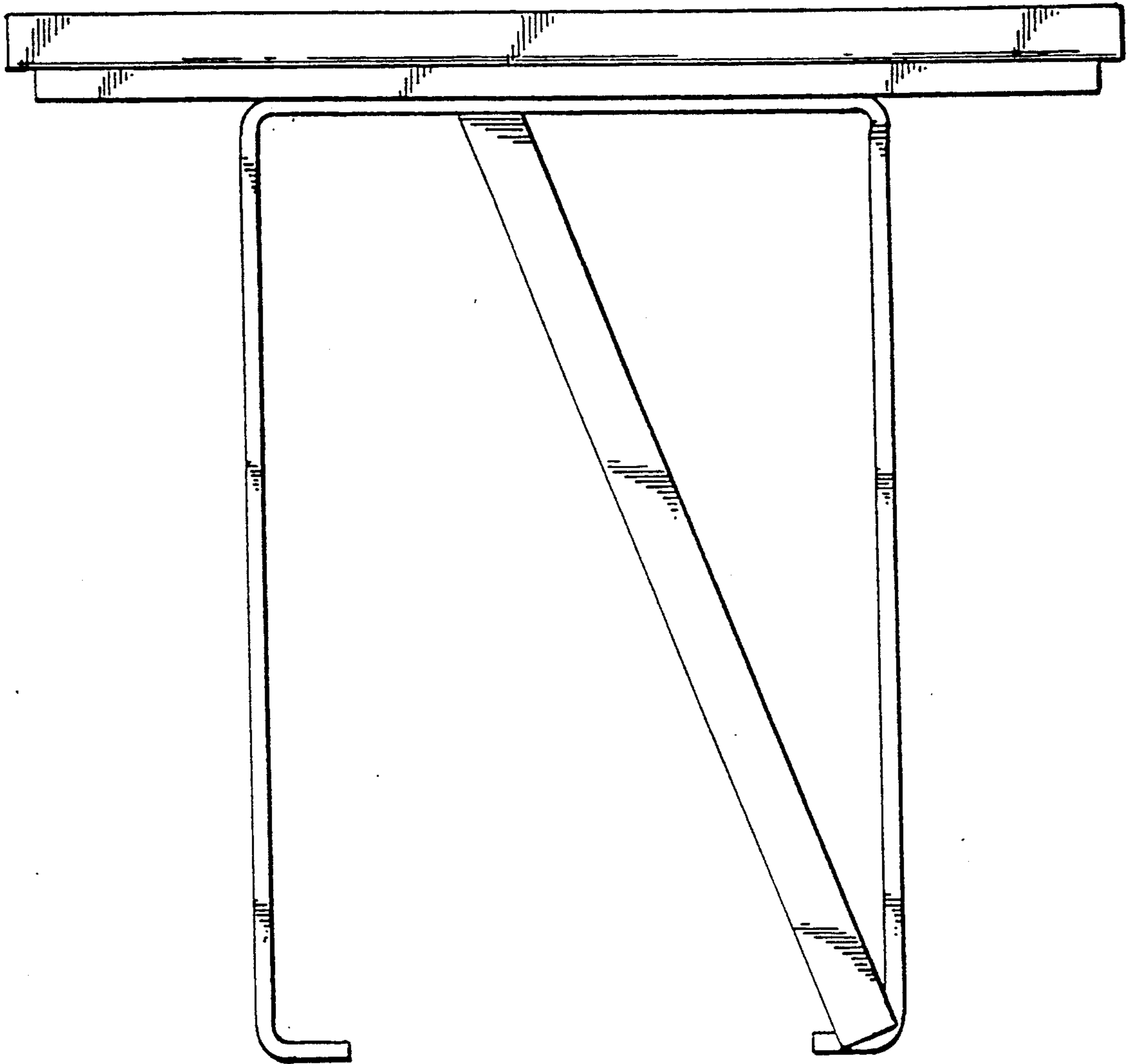


FIG. 4

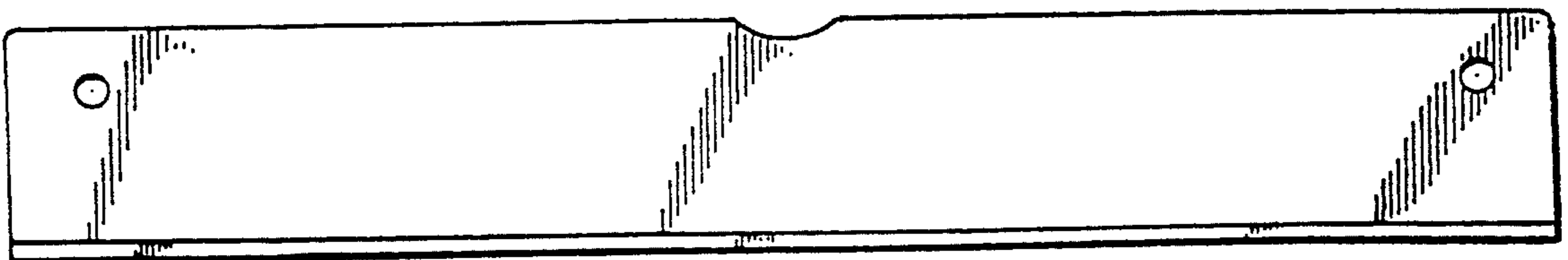


FIG. 5

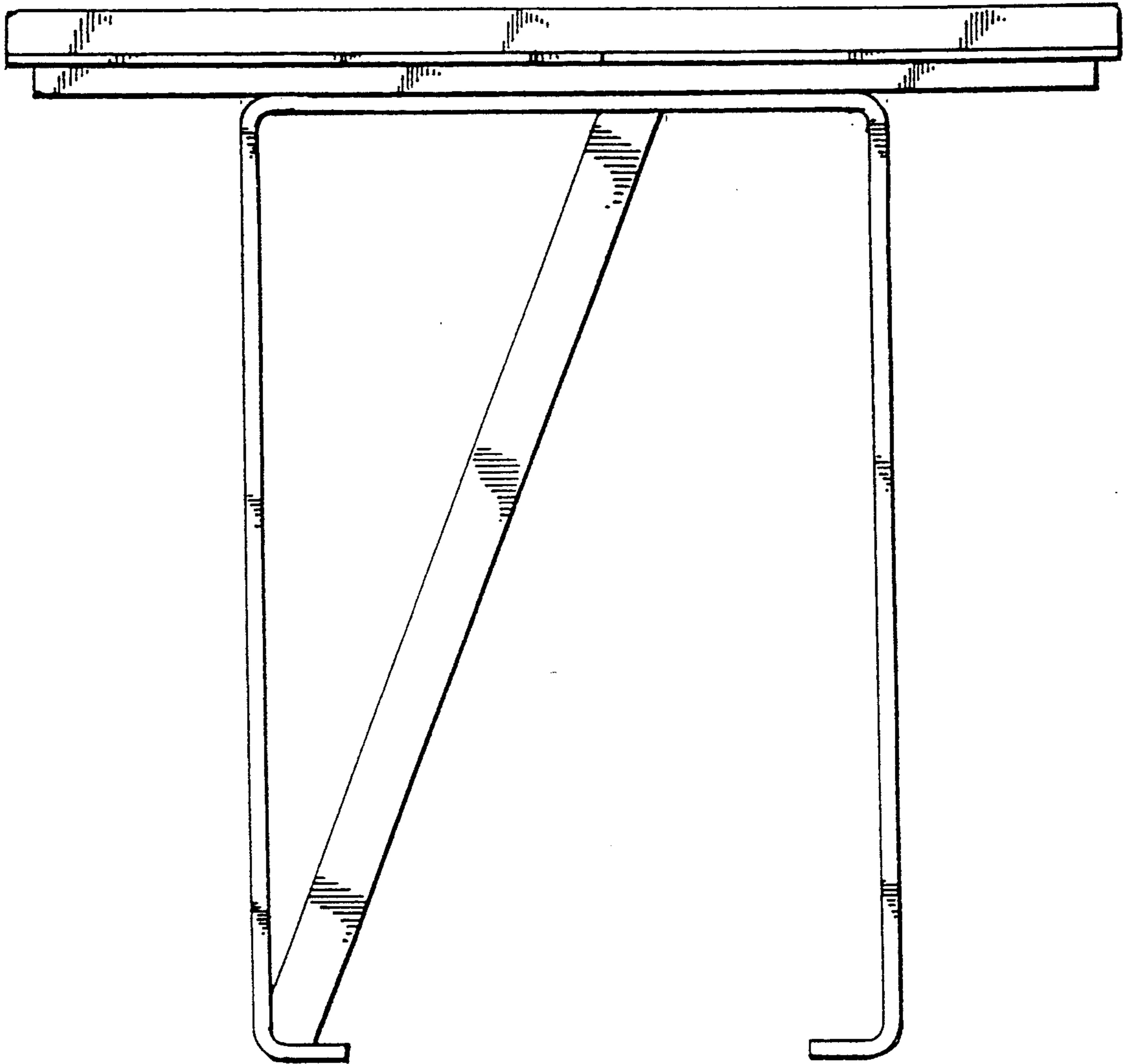


FIG. 6

